

US00D501779S

(12) **United States Design Patent**
Watson

(10) **Patent No.:** **US D501,779 S**
(45) **Date of Patent:** **** Feb. 15, 2005**

- (54) **DRILL/DRIVER**
- (75) Inventor: **James B. Watson**, Falston, MD (US)
- (73) Assignee: **Black & Decker Inc.**, Newark, DE (US)
- (**) Term: **14 Years**
- (21) Appl. No.: **29/203,418**
- (22) Filed: **Apr. 14, 2004**
- (51) **LOC (7) Cl.** **08-01**
- (52) **U.S. Cl.** **D8/68**
- (58) **Field of Search** D8/14.1, 61, 62, D8/63, 64, 65, 66, 67, 68, 69, 70; 81/57.11, 429, 464, 465, 466, 469, 489; 173/13, 169, 178, 213, 217; 227/8, 114, 120, 130, 136, 142; 310/50; 408/20, 124, 125, 234, 241 R; 451/358

- D384,639 S 10/1997 Kawakami et al.
- D386,662 S 11/1997 Tozawa et al.
- D387,728 S 12/1997 Kawakami et al.
- D392,530 S 3/1998 Lui
- D402,871 S 12/1998 Clowers et al.
- D402,872 S 12/1998 Clowers et al.
- D412,485 S 8/1999 Kato et al.
- D417,648 S 12/1999 Clowers et al.
- D419,413 S 1/2000 Heun
- D420,877 S 2/2000 Schultz
- D420,879 S 2/2000 Watson et al.
- D421,883 S 3/2000 Watson et al.
- D424,902 S 5/2000 Gildersleeve et al.
- D428,320 S 7/2000 Ohi et al.
- D431,766 S 10/2000 Zurwelle
- D432,077 S 10/2000 Zurwelle et al.

(List continued on next page.)

OTHER PUBLICATIONS

DeWalt 2002 Catalog, pp. 17, 22 & 26; LDWC02.

Primary Examiner—Joel A. Sincavage

Assistant Examiner—T. Chase Nelson

(74) *Attorney, Agent, or Firm*—Michael P. Leary; Charles E. Yocum; Arian Ayala

(56) **References Cited**
U.S. PATENT DOCUMENTS

- D300,502 S 4/1989 Schultz
- D300,503 S 4/1989 Schultz
- D300,717 S 4/1989 Hasegawa et al.
- D303,347 S 9/1989 Somers
- D313,391 S 1/1991 Pudwill
- D314,498 S 2/1991 Hoshino et al.
- D314,698 S 2/1991 Zurwelle
- D315,282 S 3/1991 Schmidt et al.
- 4,998,589 A 3/1991 Wiesendanger
- D316,021 S 4/1991 Bunyea
- 5,083,620 A 1/1992 Fushiya et al.
- D332,208 S 1/1993 Sakamoto et al.
- D339,727 S 9/1993 Kikuchi
- D340,394 S 10/1993 Okumura
- D359,215 S 6/1995 Zurwelle
- D362,167 S * 9/1995 Zurwelle D8/68
- D368,009 S 3/1996 Zurwelle
- D368,214 S 3/1996 Zurwelle
- D377,442 S 1/1997 Kituchi
- D378,268 S * 3/1997 Schultz D8/68
- D382,457 S 8/1997 Ghode et al.

(57) **CLAIM**

The ornamental design for a drill/driver, as shown and described.

DESCRIPTION

FIG. 1 is a perspective view of a drill/driver showing my new design.

FIG. 2 is a front view thereof.

FIG. 3 is a rear view thereof.

FIG. 4 is a right side view thereof.

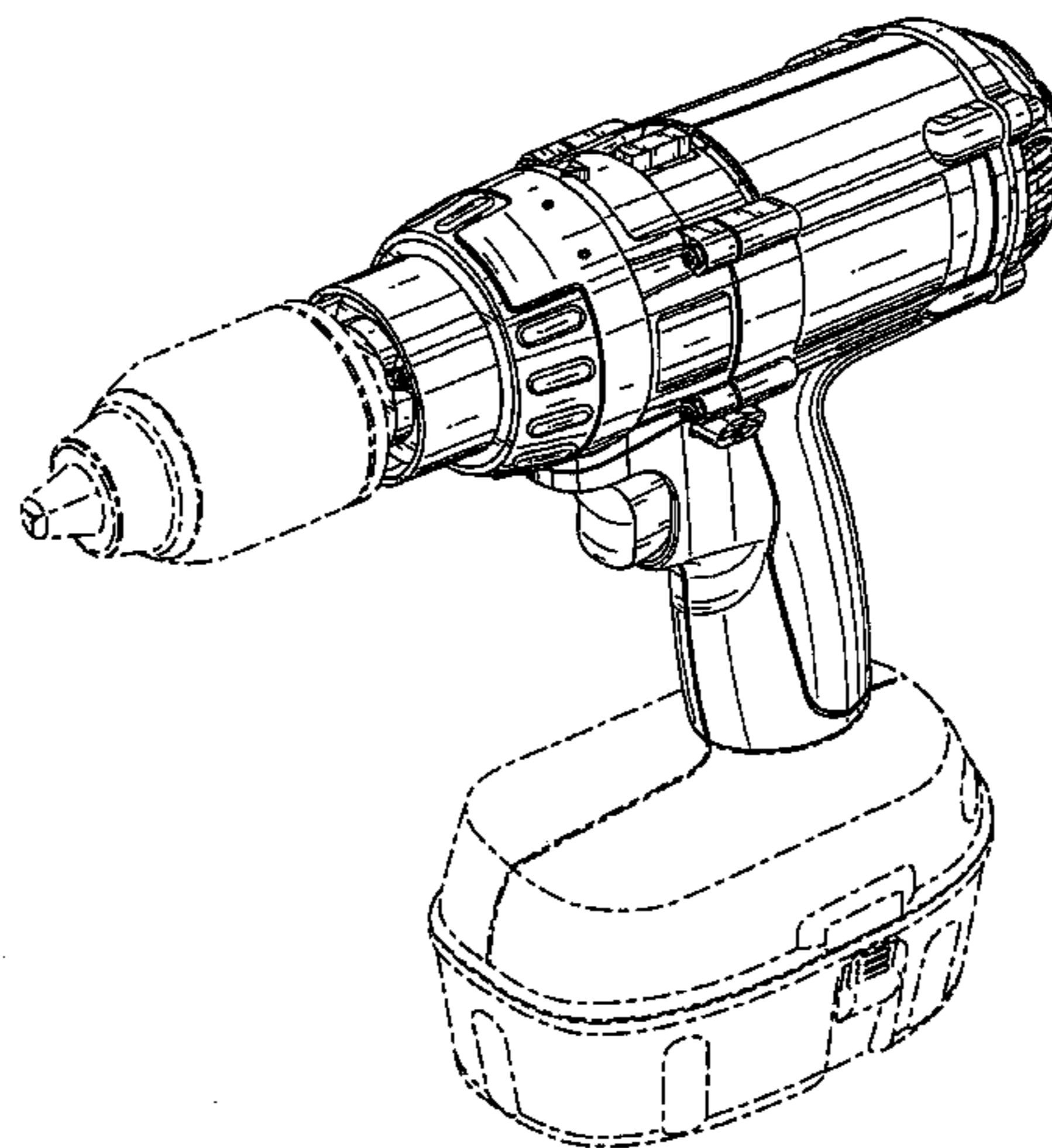
FIG. 5 is a left side view thereof.

FIG. 6 is a top view thereof; and,

FIG. 7 is a bottom view thereof.

The broken lines and the areas within the broken lines form no part of the claimed ornamental design.

1 Claim, 5 Drawing Sheets



US D501,779 S

Page 2

U.S. PATENT DOCUMENTS

D435,013 S	12/2000	Clowers et al.	
D435,414 S	12/2000	Etter et al.	
D436,511 S	1/2001	Hayakawa et al.	
D437,759 S	2/2001	Breit et al.	
D440,850 S	4/2001	Ozawa et al.	
6,308,378 B1	10/2001	Mooty et al.	
D460,674 S	7/2002	Heun	
6,431,289 B1 *	8/2002	Potter et al.	173/217
D462,248 S	9/2002	Cooper	
D466,386 S	12/2002	Zurwelle	
D466,777 S	12/2002	Watson	
D466,779 S	12/2002	Shibata et al.	
D467,147 S	12/2002	Watson	
D467,148 S *	12/2002	Flickinger	D8/68
D467,481 S	12/2002	Watson	
D467,482 S	12/2002	Kunz et al.	
D467,483 S	12/2002	Heun	
D467,781 S	12/2002	Kunz et al.	
6,502,648 B2 *	1/2003	Milbourne	173/178
D469,675 S	2/2003	Chung	
D470,027 S	2/2003	Chunn et al.	
D470,028 S	2/2003	Cooper	
D470,376 S	2/2003	Chunn et al.	
D470,379 S	2/2003	Andriolo	
D471,419 S	3/2003	Chunn et al.	
D472,781 S	4/2003	Netzler	
D474,953 S	5/2003	Santarsiero et al.	
D475,596 S	6/2003	Ozawa et al.	
D477,205 S *	7/2003	Sakai et al.	D8/68
D477,974 S	8/2003	Chunn et al.	
D478,262 S	8/2003	Chunn et al.	
D479,456 S	9/2003	Murray et al.	
D482,253 S	11/2003	Cooper et al.	
D482,254 S	11/2003	Tsuzuki et al.	
D486,049 S	2/2004	Sugiura et al.	
D489,955 S *	5/2004	Concari et al.	D8/68
D493,344 S *	7/2004	Watson	D8/68
D494,435 S *	8/2004	Hayakawa et al.	D8/68

* cited by examiner

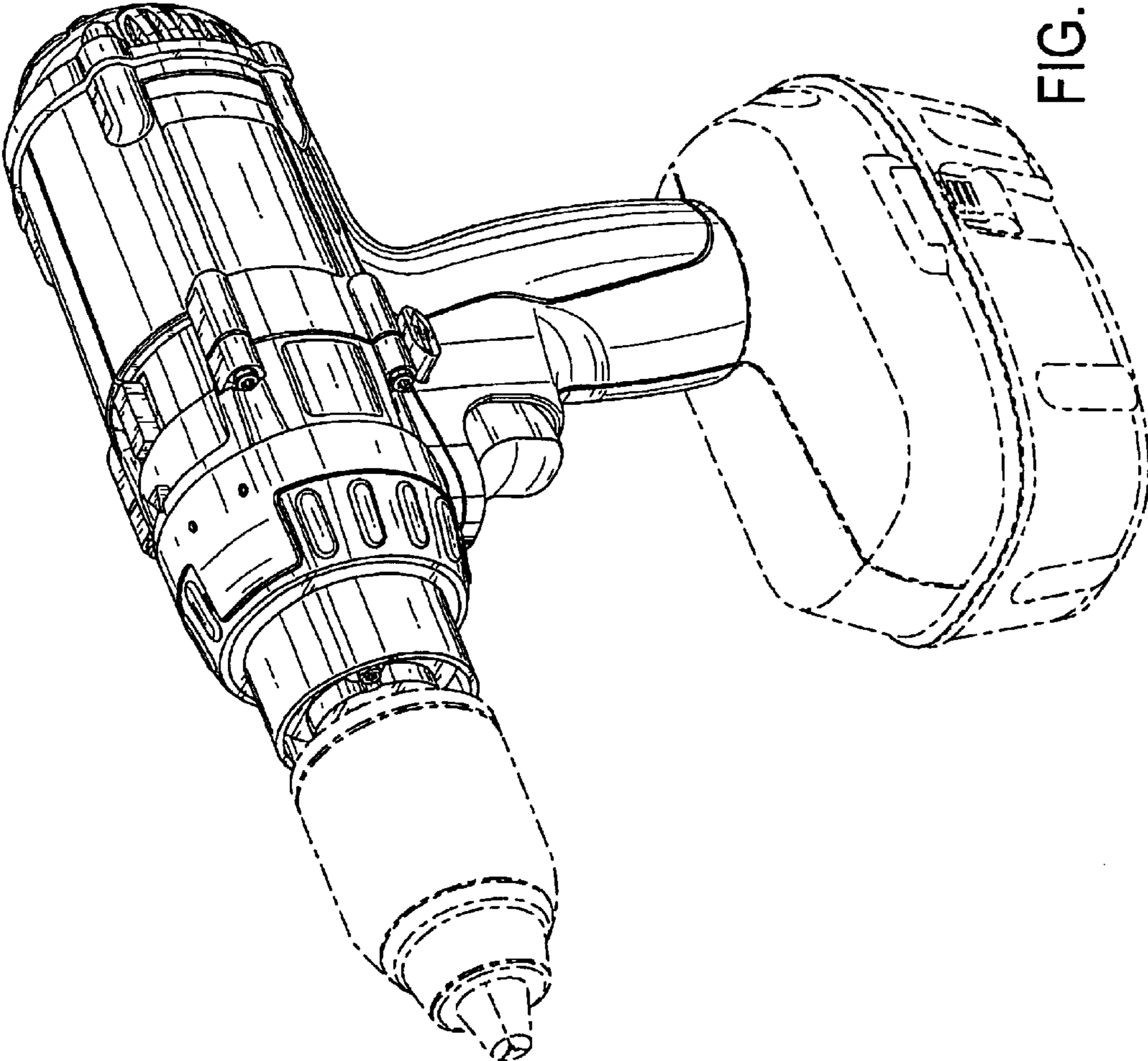


FIG. 1

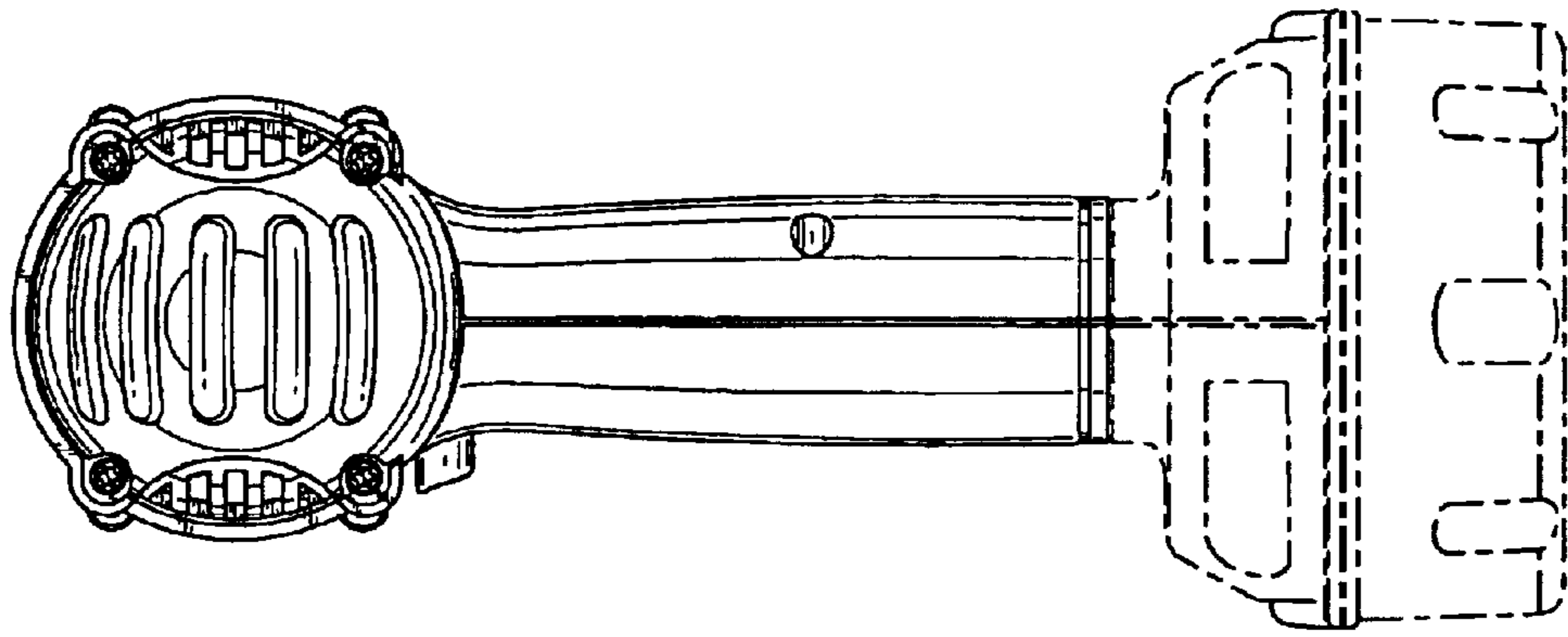


FIG. 2

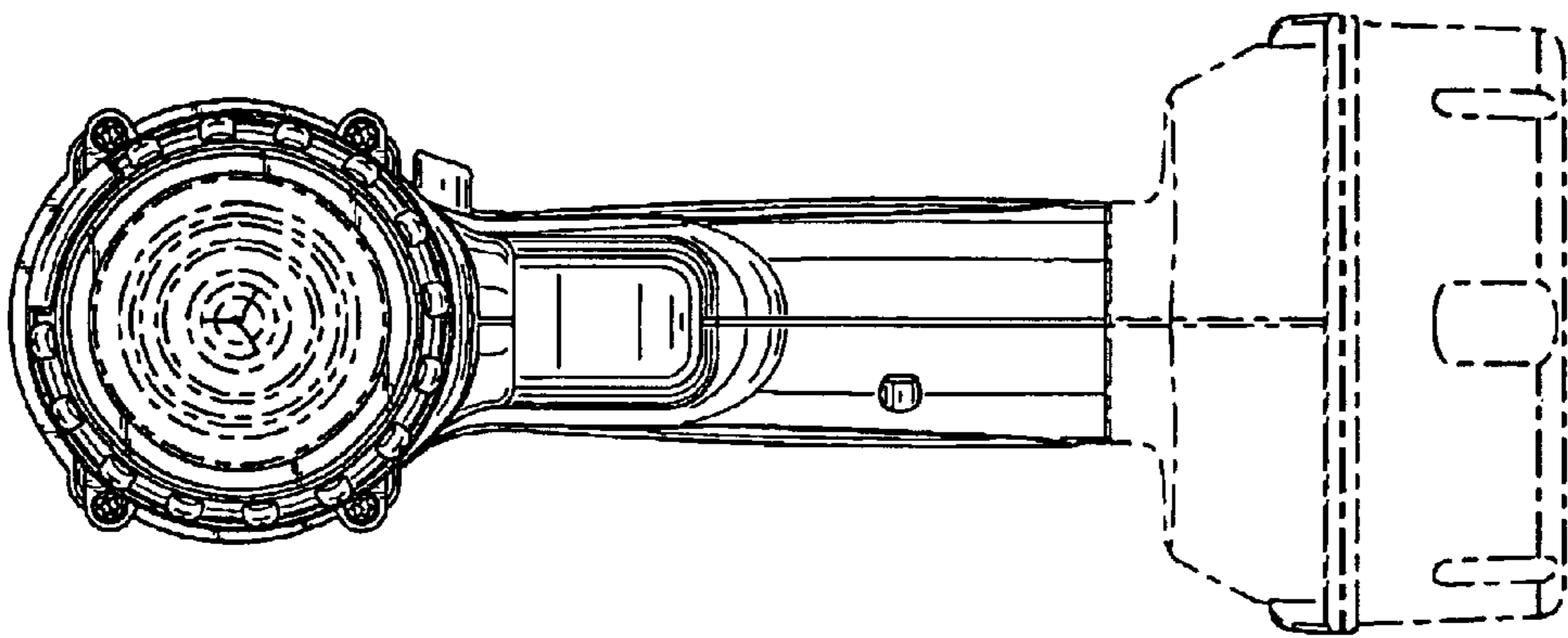


FIG. 3

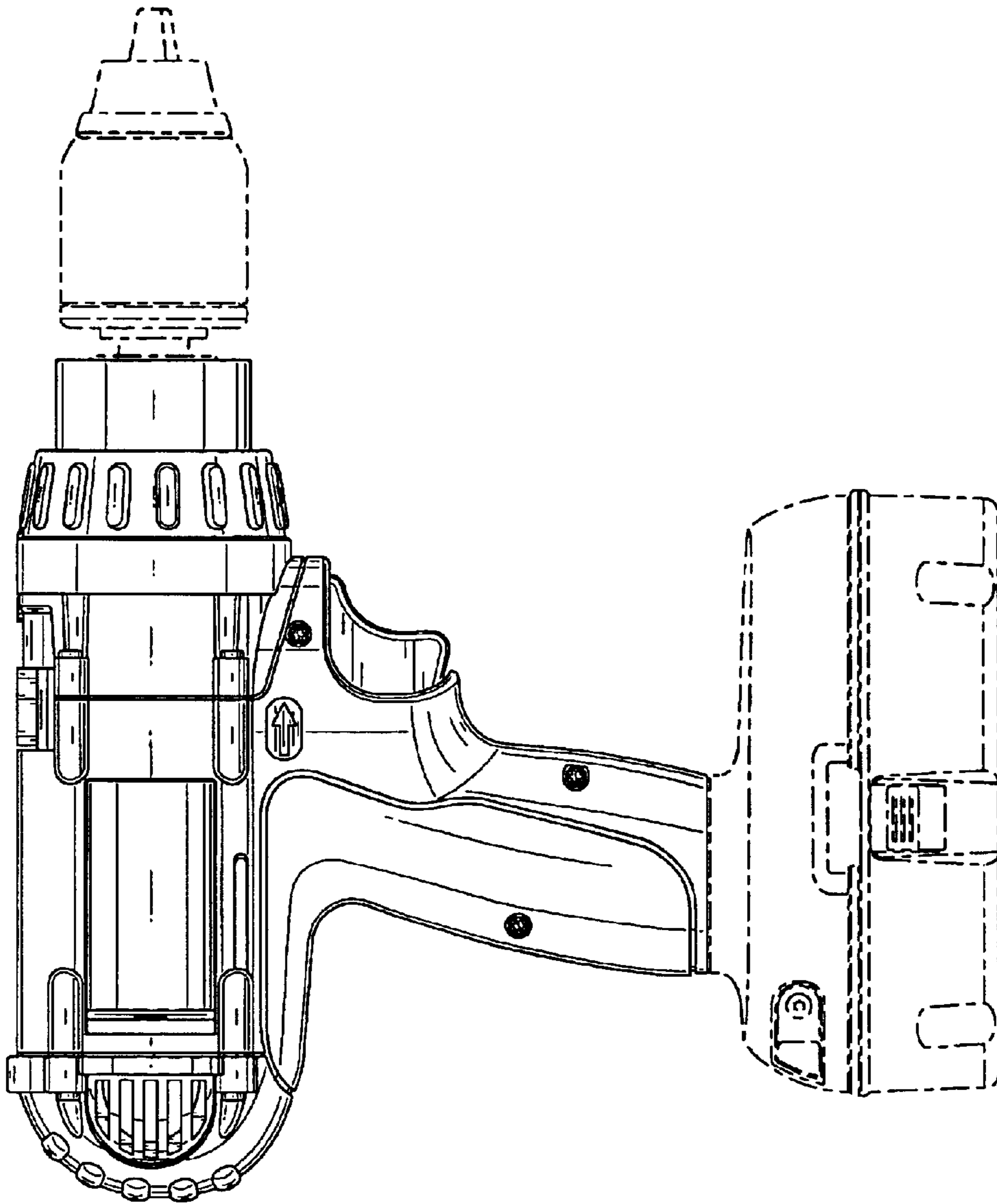


FIG. 4

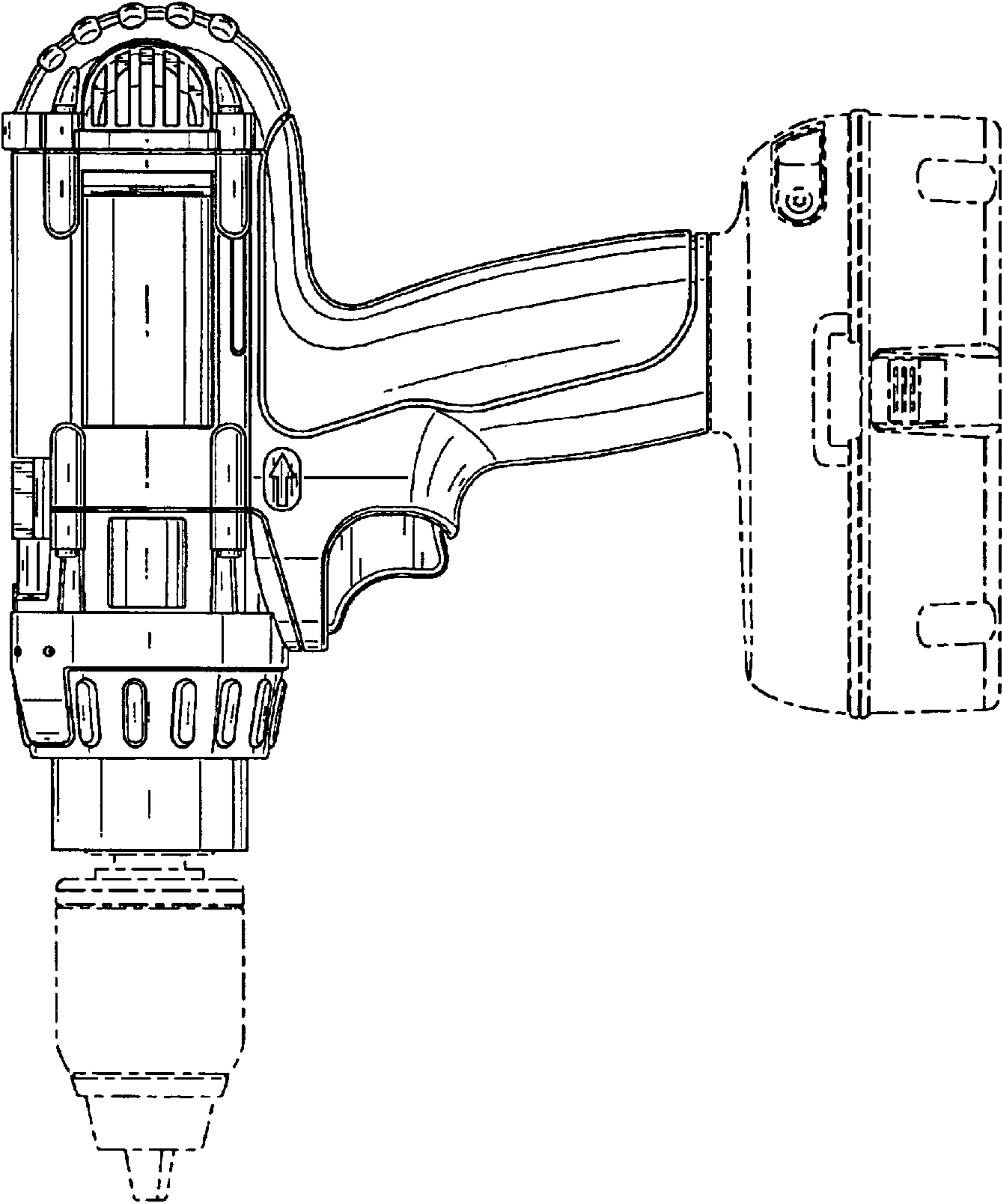


FIG. 5

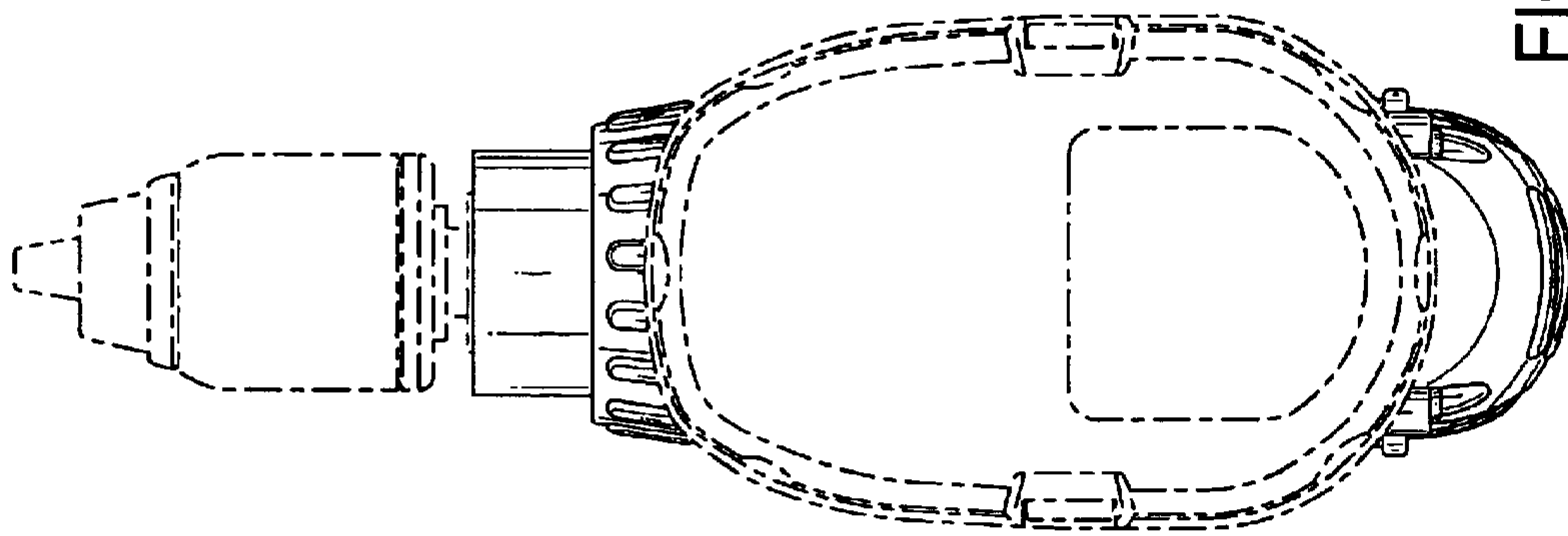


FIG. 7

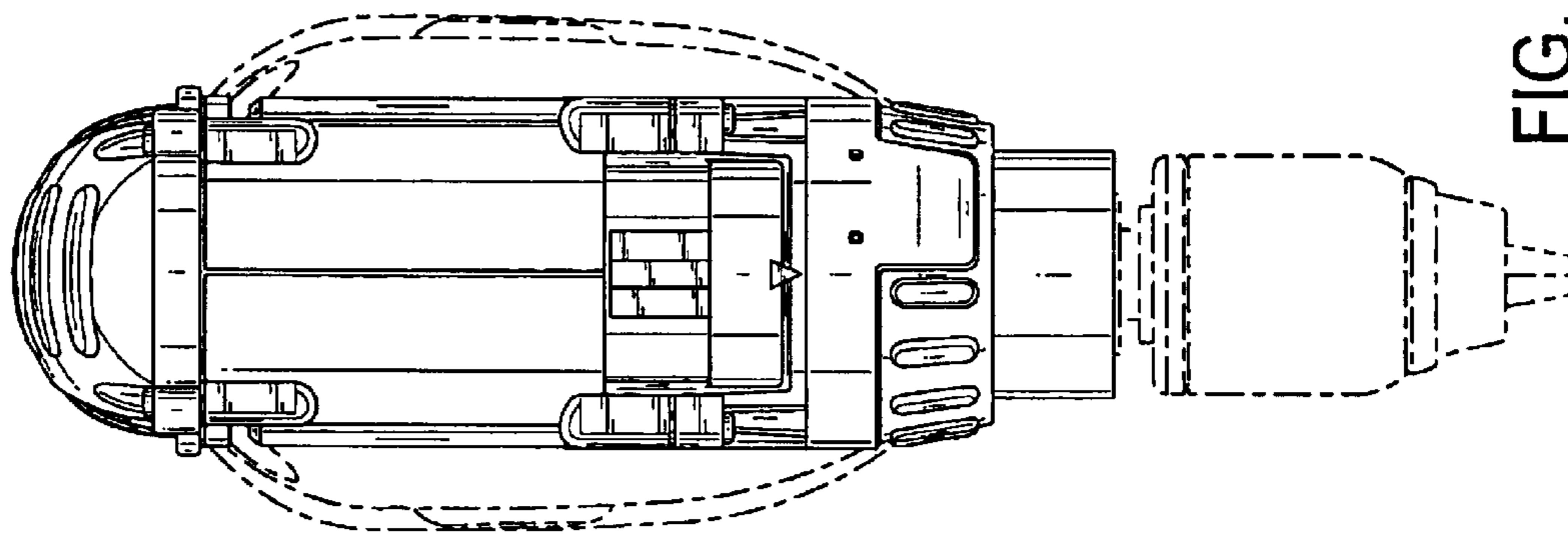


FIG. 6