

US00D501778S

(12) **United States Design Patent**
Liang

(10) **Patent No.: US D501,778 S**

(45) **Date of Patent: ** Feb. 15, 2005**

(54) **NAIL EJECTION GUN**

(76) **Inventor: Lin Chi Liang**, 5F., No. 536-6, Dajin St., Nantuen Chiu, Taichung (TW), 408

(**) **Term: 14 Years**

(21) **Appl. No.: 29/192,793**

(22) **Filed: Oct. 30, 2003**

(51) **LOC (7) Cl. 08-05**

(52) **U.S. Cl. D8/68; D8/69**

(58) **Field of Search** D8/14.1, 61, 62, D8/63, 64, 65, 66, 67, 68, 69, 70; 81/57.11, 429, 464, 465, 466, 469, 489; 173/13, 169, 178, 213, 217; 227/8, 114, 120, 130, 136, 142; 310/50; 408/20, 124, 125, 234, 241 R; 451/358

(56) **References Cited**

U.S. PATENT DOCUMENTS

D334,329	S	*	3/1993	Ogawa et al.	D8/68
D338,606	S	*	8/1993	Oda	D8/69
D416,182	S	*	11/1999	Kaiser et al.	D8/69
D416,775	S	*	11/1999	Hwang et al.	D8/69
6,131,787	A	*	10/2000	Curtis	227/120
6,158,643	A	*	12/2000	Phillips	227/130
D435,770	S	*	1/2001	Arai	D8/68
6,189,759	B1	*	2/2001	Canlas et al.	227/120
D447,031	S	*	8/2001	Oh	D8/63
6,371,348	B1	*	4/2002	Canlas et al.	227/130
D458,525	S	*	6/2002	Buck	D8/68

D461,694	S	*	8/2002	Buck	D8/68
6,431,428	B1	*	8/2002	Chen	227/120
6,431,429	B1	*	8/2002	Canlas et al.	227/8
6,494,355	B2	*	12/2002	Adachi et al.	227/120
6,592,014	B2	*	7/2003	Smolinski	227/130
D477,975	S	*	8/2003	Lai	D8/68
D477,976	S	*	8/2003	Liu	D8/68
6,609,646	B2	*	8/2003	Miller et al.	227/120
6,641,022	B2	*	11/2003	Hamano et al.	227/120
6,648,202	B2	*	11/2003	Miller et al.	227/130

* cited by examiner

Primary Examiner—Robert M. Spear

Assistant Examiner—T. Chase Nelson

(74) *Attorney, Agent, or Firm*—Alan D. Kamrath; Nikolai & Mersereau, P.A.

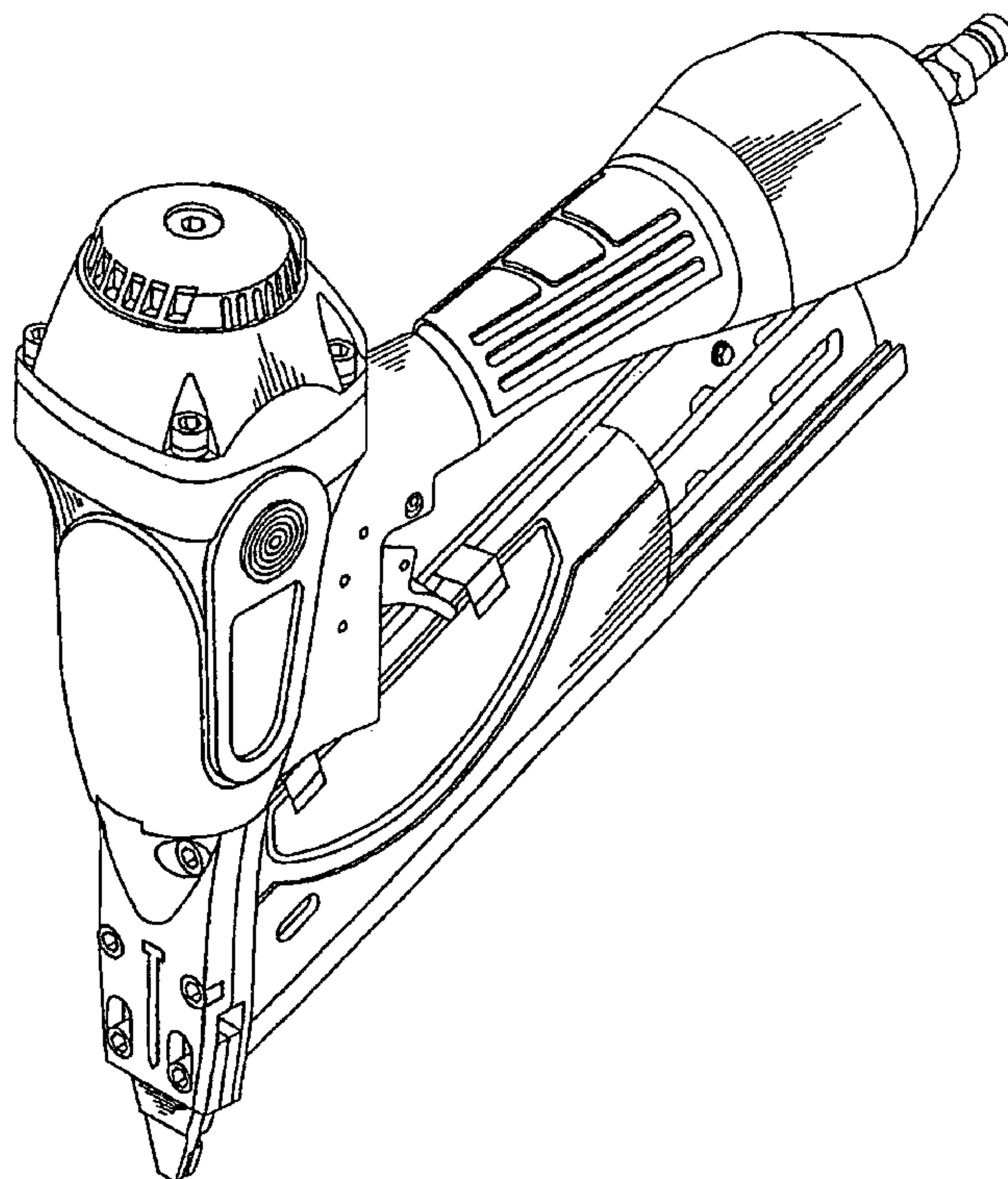
(57) **CLAIM**

The ornamental design for nail ejection gun, as shown and described.

DESCRIPTION

FIG. 1 is a perspective view of nail ejection gun showing my new design;
FIG. 2 is a front elevational view thereof;
FIG. 3 is a rear elevational view thereof;
FIG. 4 is a left side elevational view thereof;
FIG. 5 is a right side elevational view thereof;
FIG. 6 is a top plan view thereof; and,
FIG. 7 is a bottom plan view thereof.

1 Claim, 5 Drawing Sheets



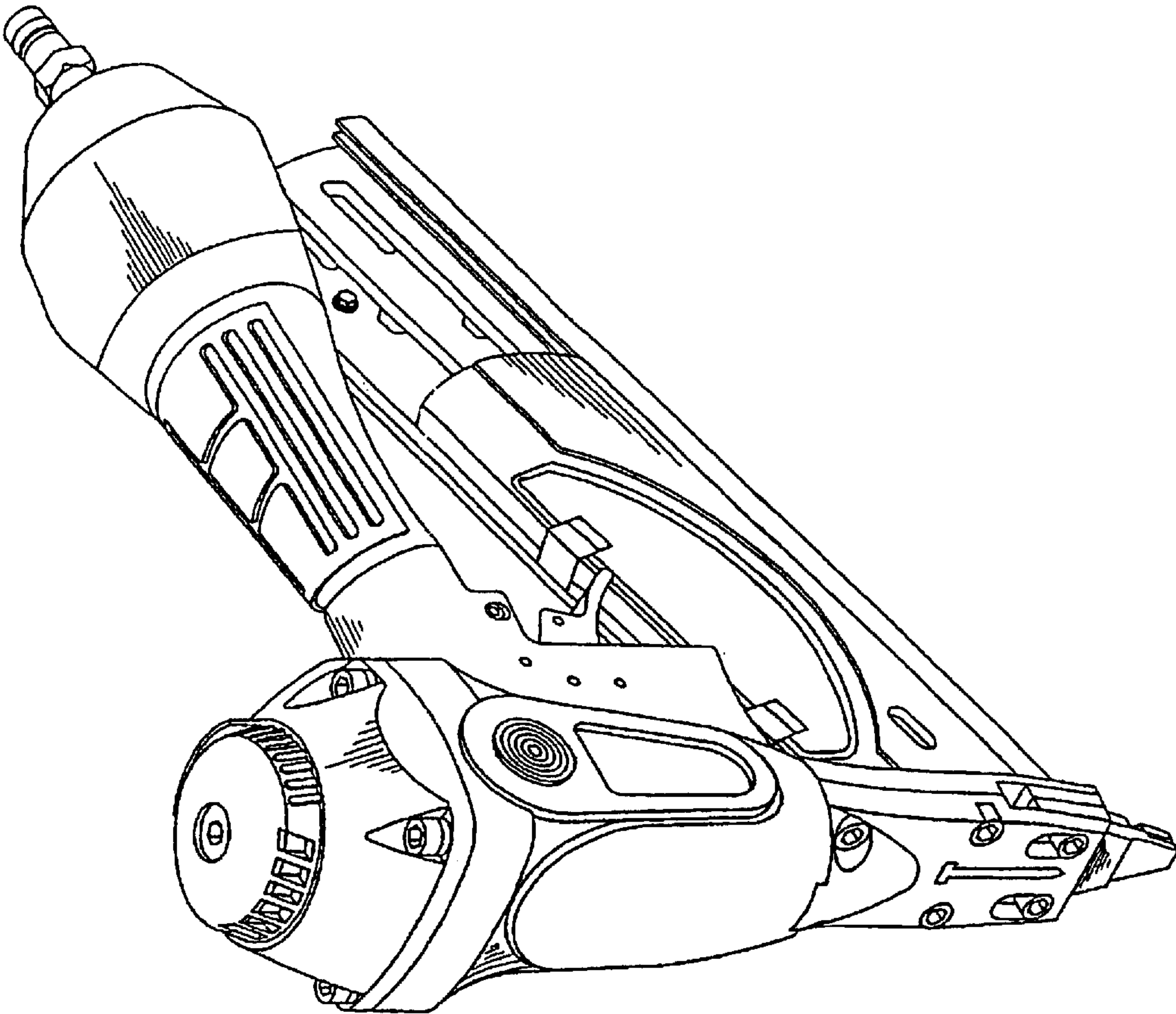


FIG. 1

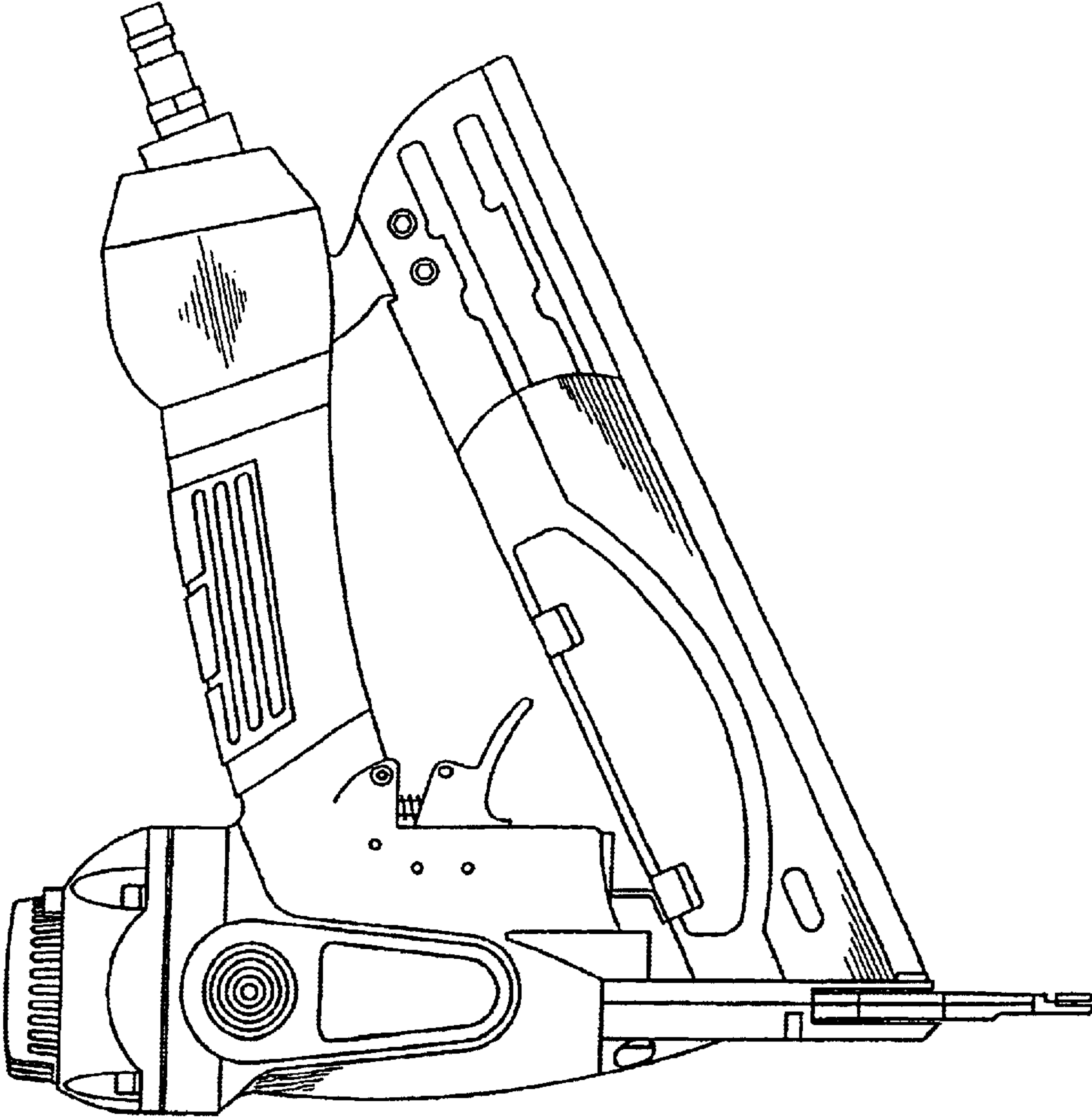


FIG. 2

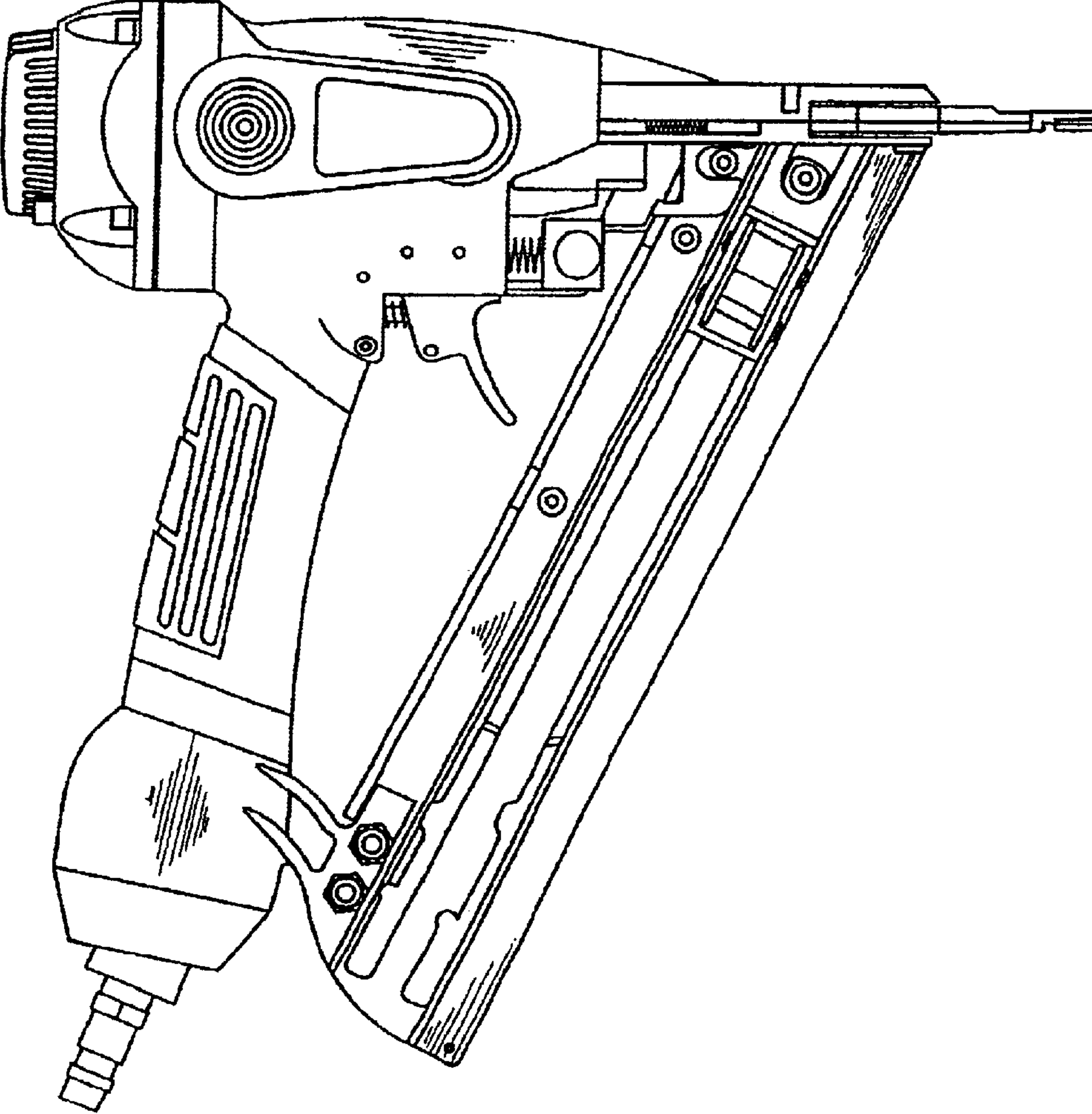


FIG. 3

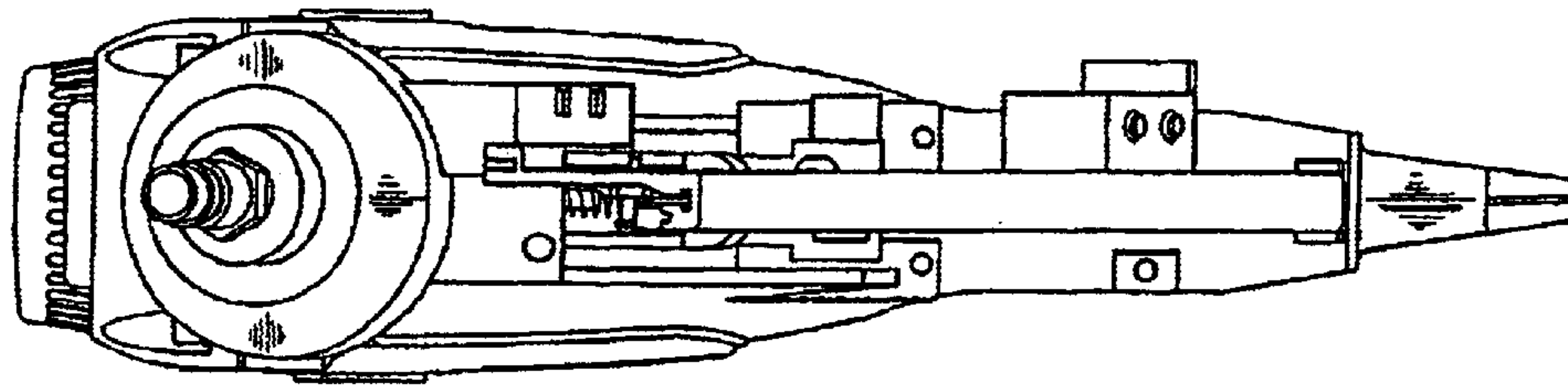


FIG. 5

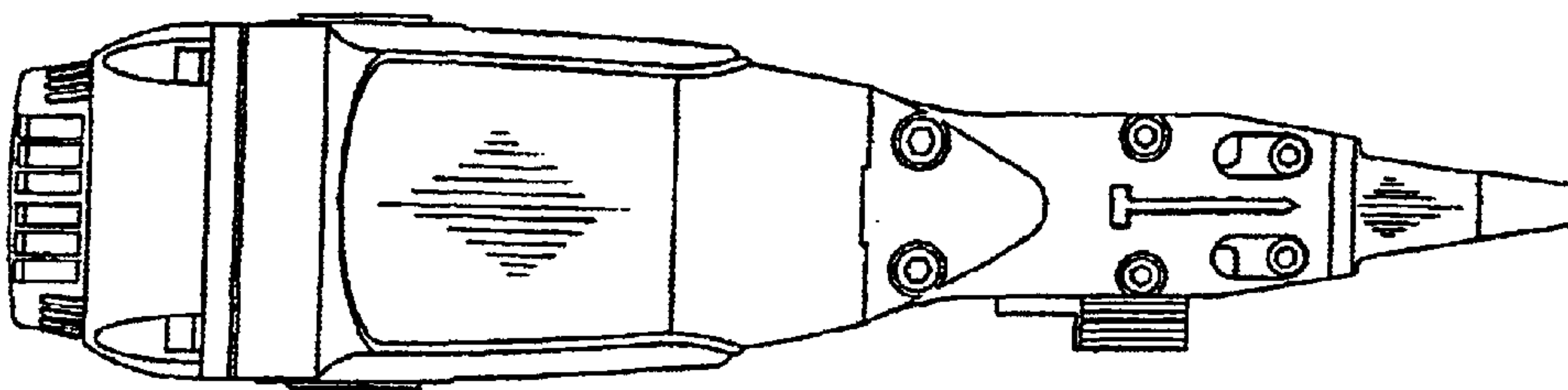


FIG. 4

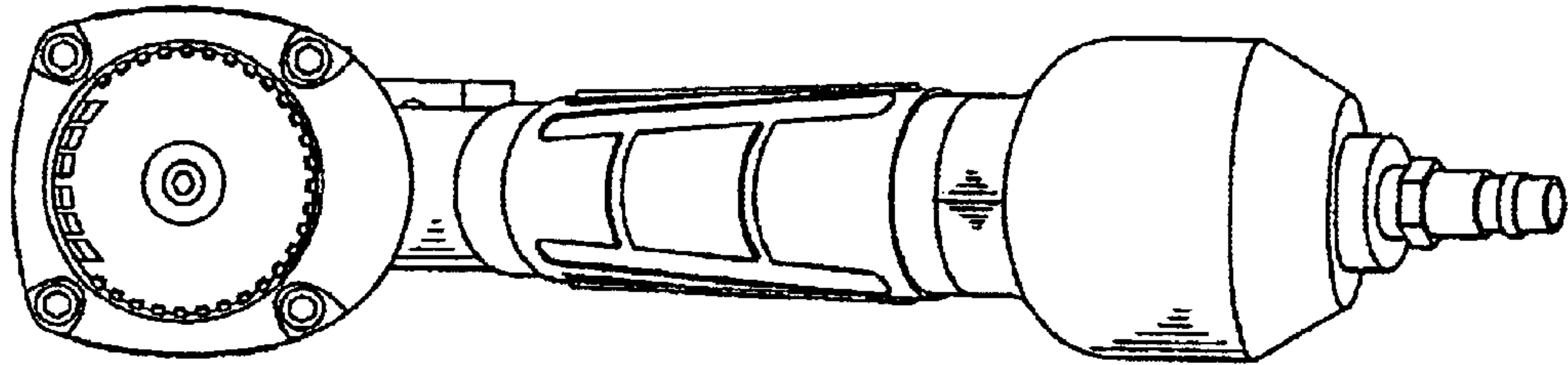


FIG. 6

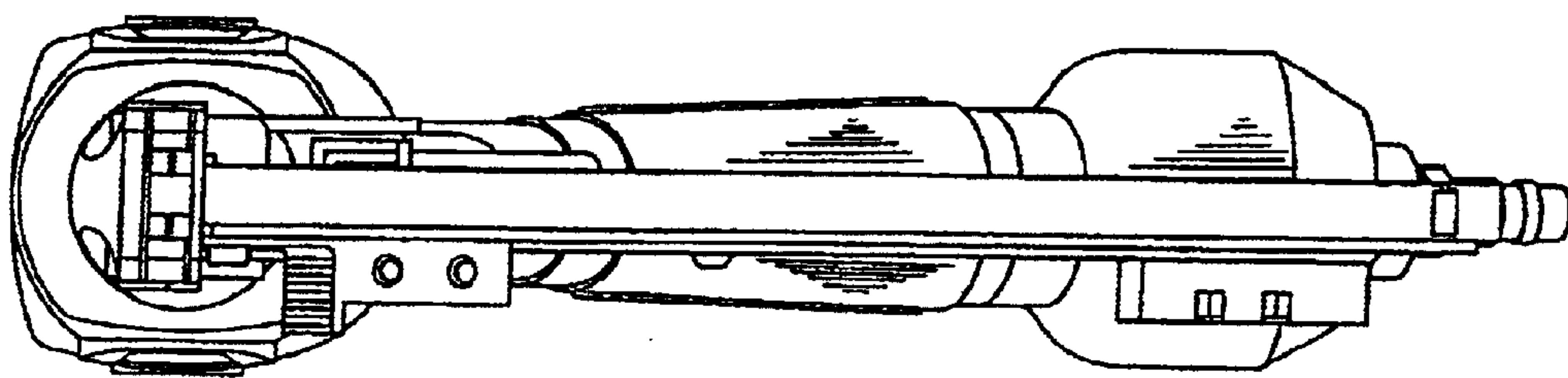


FIG. 7