

US00D501776S

(12) **United States Design Patent**  
**Wu**

(10) **Patent No.:** **US D501,776 S**

(45) **Date of Patent:** **\*\* Feb. 15, 2005**

(54) **CIRCULAR SAW**

(75) **Inventor:** **Shuming Wu, Nanjing (CN)**

(73) **Assignee:** **Chervon International Trading Co., Ltd., Jiangsu (CN)**

(\*\*) **Term:** **14 Years**

(21) **Appl. No.:** **29/201,036**

(22) **Filed:** **Mar. 10, 2004**

(30) **Foreign Application Priority Data**

Sep. 15, 2003 (CN) ..... 3368653

(51) **LOC (7) Cl.** ..... **08-03**

(52) **U.S. Cl.** ..... **D8/66**

(58) **Field of Search** ..... D8/61, 64, 66,  
D8/67, 68, 69; 30/166.3, 373, 374, 375,  
376, 377, 388, 389, 390, 391; 125/13.01;  
144/218

(56) **References Cited**

**U.S. PATENT DOCUMENTS**

D262,772 S	*	1/1982	Glass et al.	.....	D8/66
D313,155 S	*	12/1990	Somers	.....	D8/66
5,010,651 A	*	4/1991	Techter et al.	.....	303/76
5,023,999 A	*	6/1991	Looper et al.	.....	30/390
5,433,008 A	*	7/1995	Barger et al.	.....	30/376
5,782,001 A	*	7/1998	Gray	.....	30/391
5,832,614 A	*	11/1998	Gallagher et al.	.....	30/391
5,873,282 A	*	2/1999	Dibbern et al.	.....	74/421 A
5,934,143 A	*	8/1999	Dibbern et al.	.....	74/421 A
6,202,311 B1	*	3/2001	Nickels, Jr.	.....	30/376
D449,503 S	*	10/2001	Tsuzuki et al.	.....	D8/66
D453,099 S	*	1/2002	Welsh	.....	D8/66
D466,385 S	*	12/2002	Shigo et al.	.....	D8/66

D475,266 S	*	6/2003	Sakai et al.	.....	D8/66
D486,369 S	*	2/2004	Keller	.....	D8/66
D488,977 S	*	4/2004	Evans	.....	D8/66
D492,564 S	*	7/2004	Zemlok et al.	.....	D8/66
2004/0107584 A1	*	6/2004	Yoshida et al.	.....	30/391

\* cited by examiner

*Primary Examiner*—Joel A. Sincavage

*Assistant Examiner*—Elizabeth Albert

(74) *Attorney, Agent, or Firm*—Lowe Hauptman Gilman & Berner, LLP

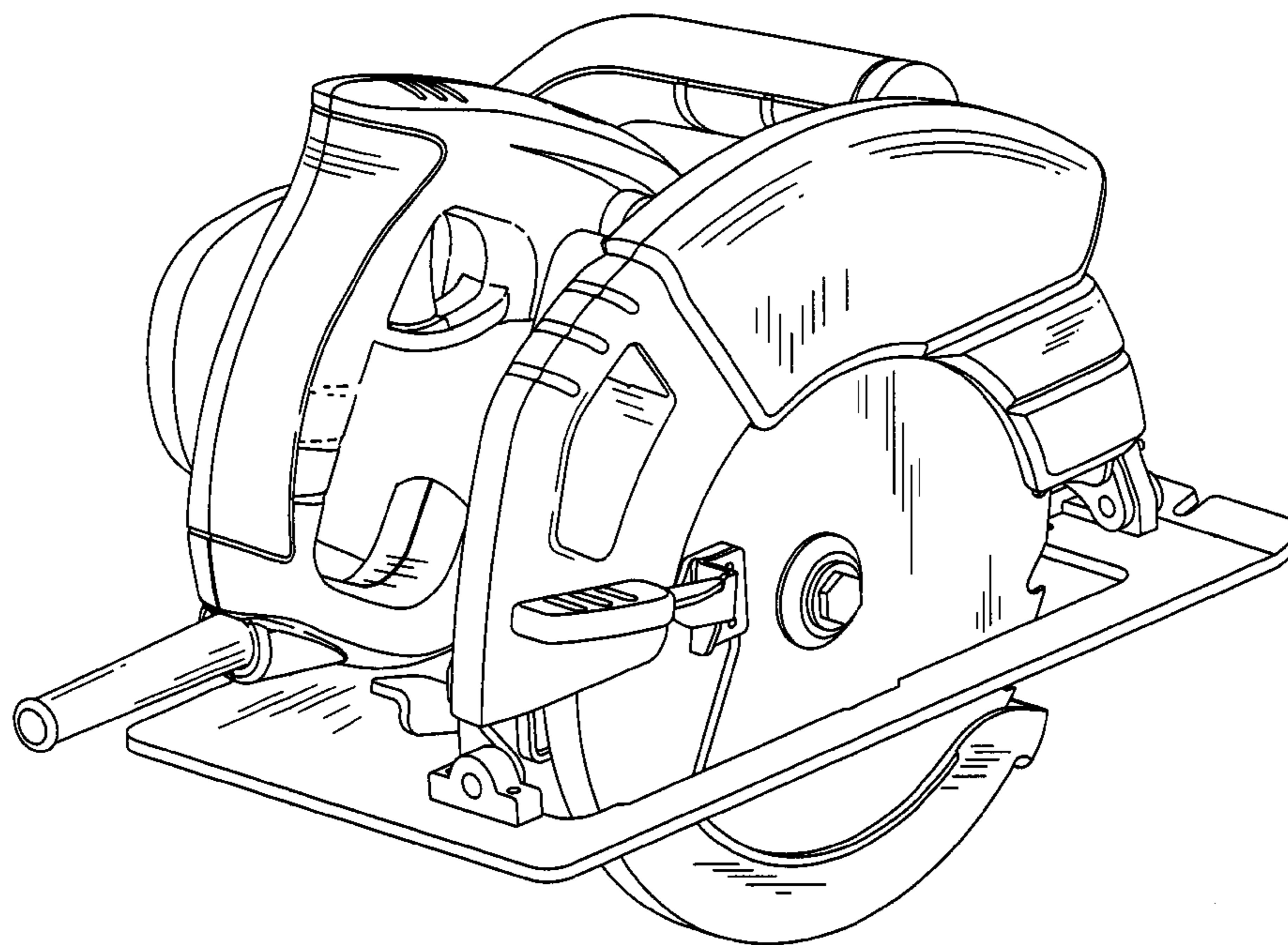
(57) **CLAIM**

The ornamental design for a circular saw, as shown and described.

**DESCRIPTION**

FIG. 1 is a front elevational view of the design; FIG. 2 is a rear elevational view of the circular saw in FIG. 1; FIG. 3 is a right side elevational view of the circular saw in FIG. 1; FIG. 4 is a left side elevational view of the circular saw in FIG. 1; FIG. 5 is a bottom plan view of the circular saw in FIG. 1; FIG. 6 is a top plan view of the circular saw in FIG. 1; and FIG. 7 is a view similar to FIG. 8 except the handle is lifted to form with the base frame an acute angle. FIG. 8 is a front-top-left perspective view of the design of FIG. 1 where the blade and the base frame form a substantially 90° angle; and, FIG. 9 is a view similar to FIG. 8, except the handle and the blade tilt to the front so that the blade forms with the base frame an angle other than 90°.

**1 Claim, 9 Drawing Sheets**



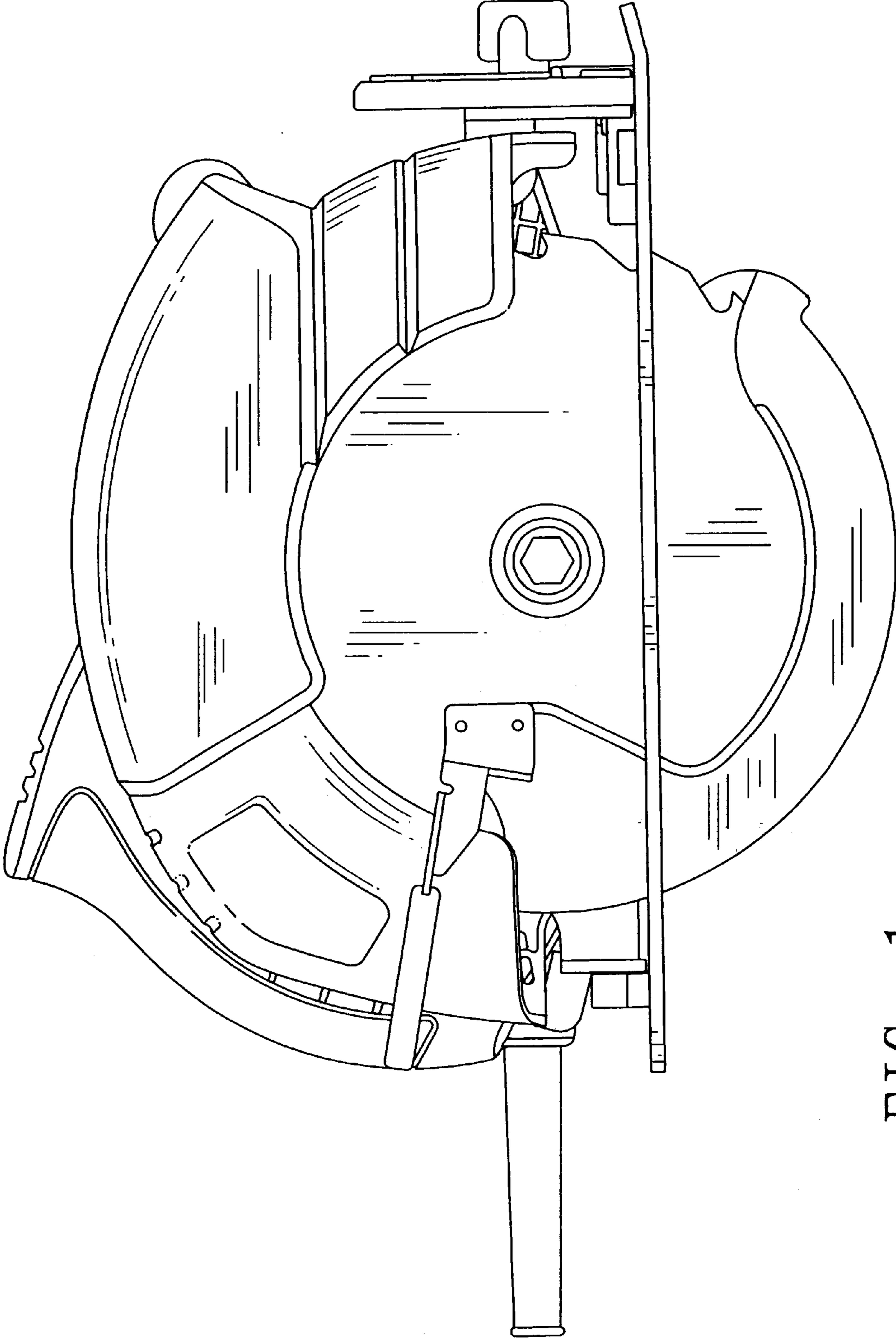


FIG. 1

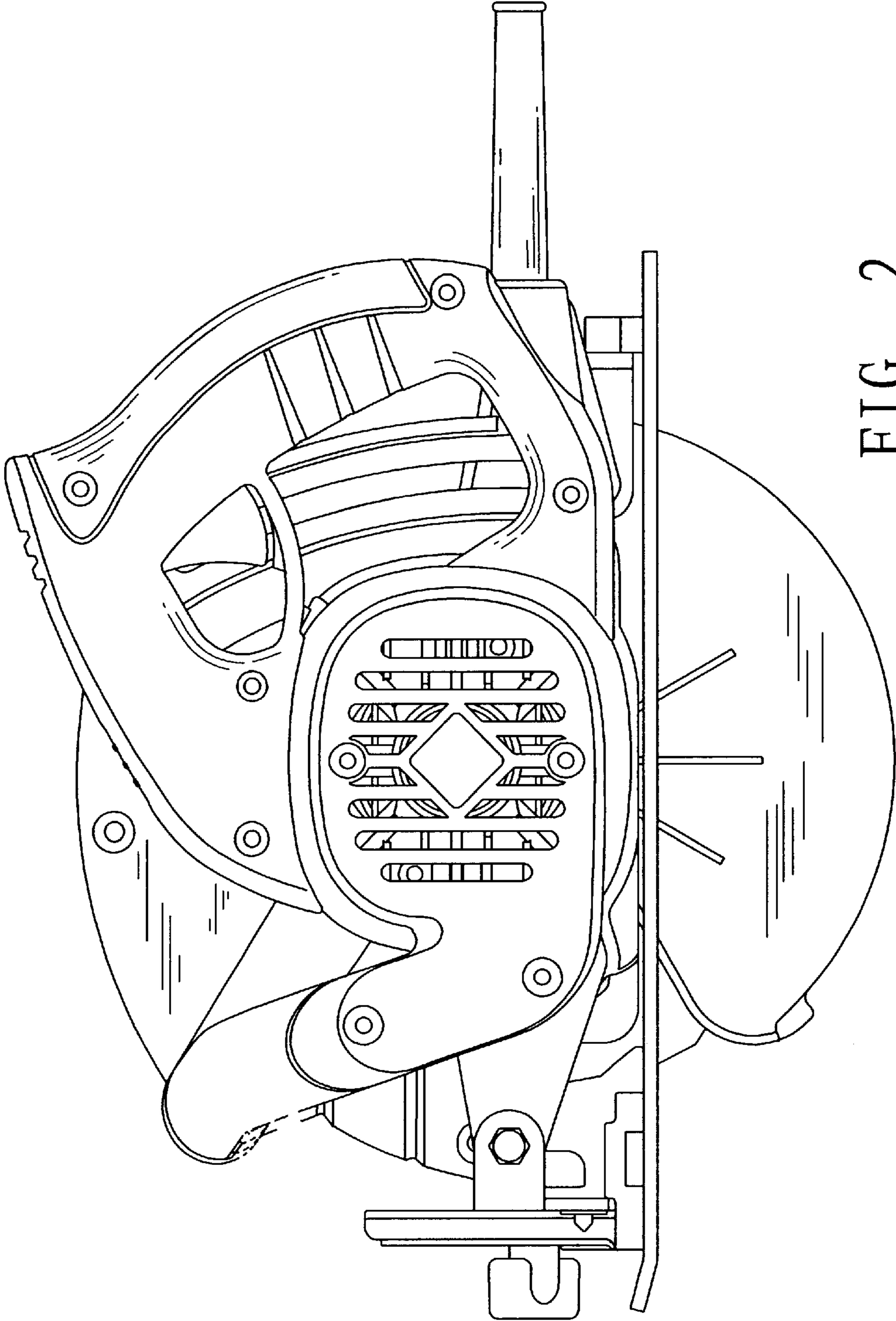


FIG. 2

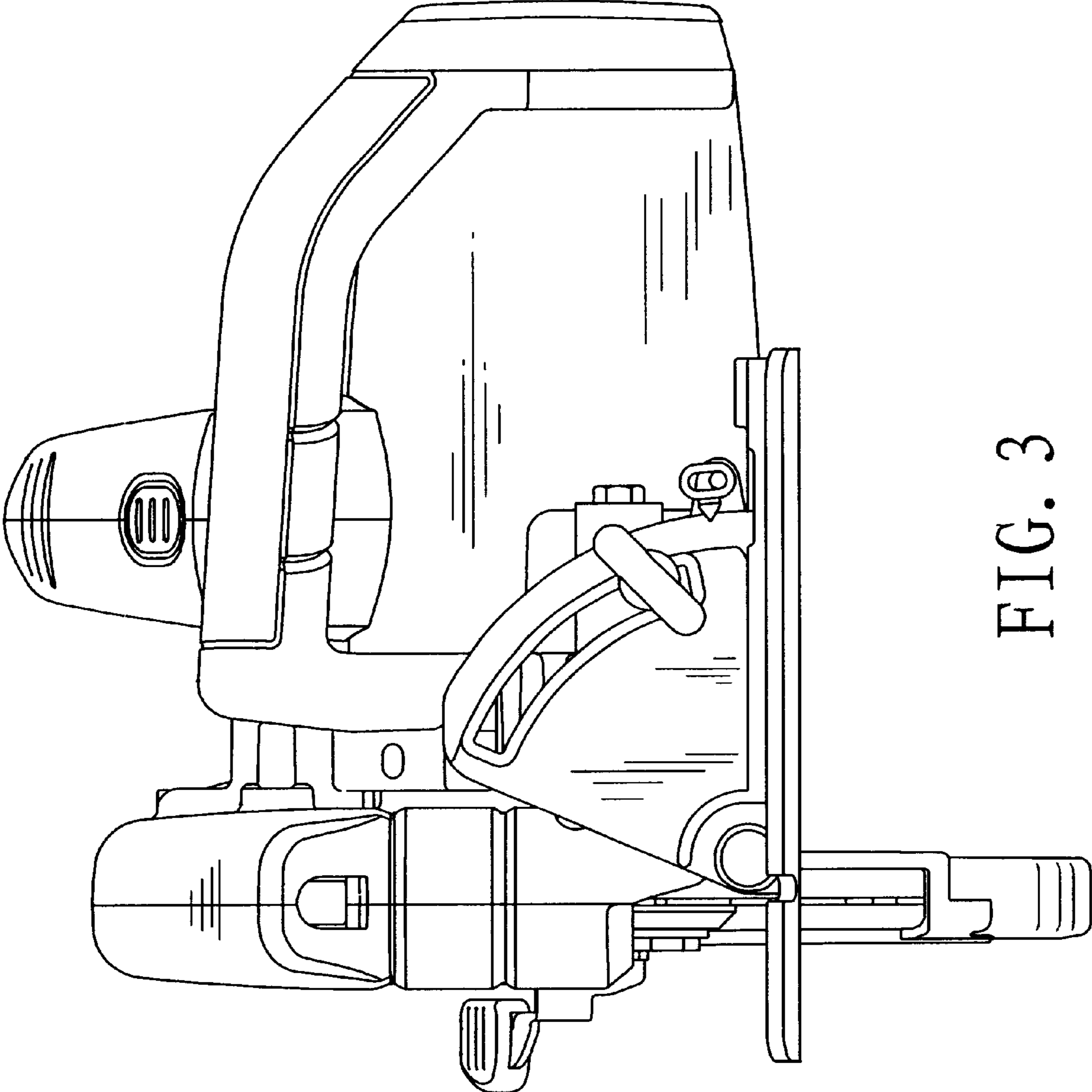


FIG. 3

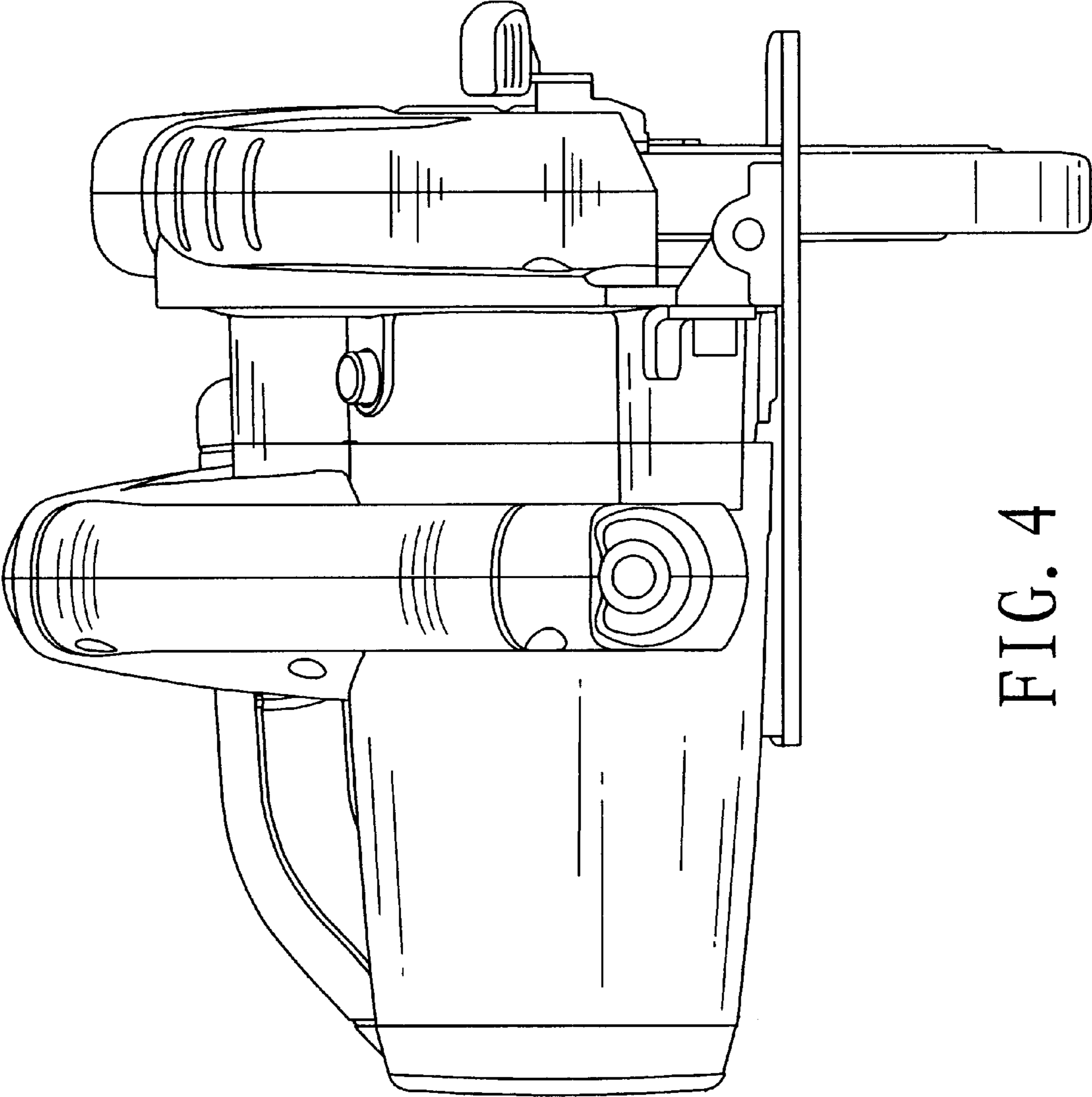


FIG. 4

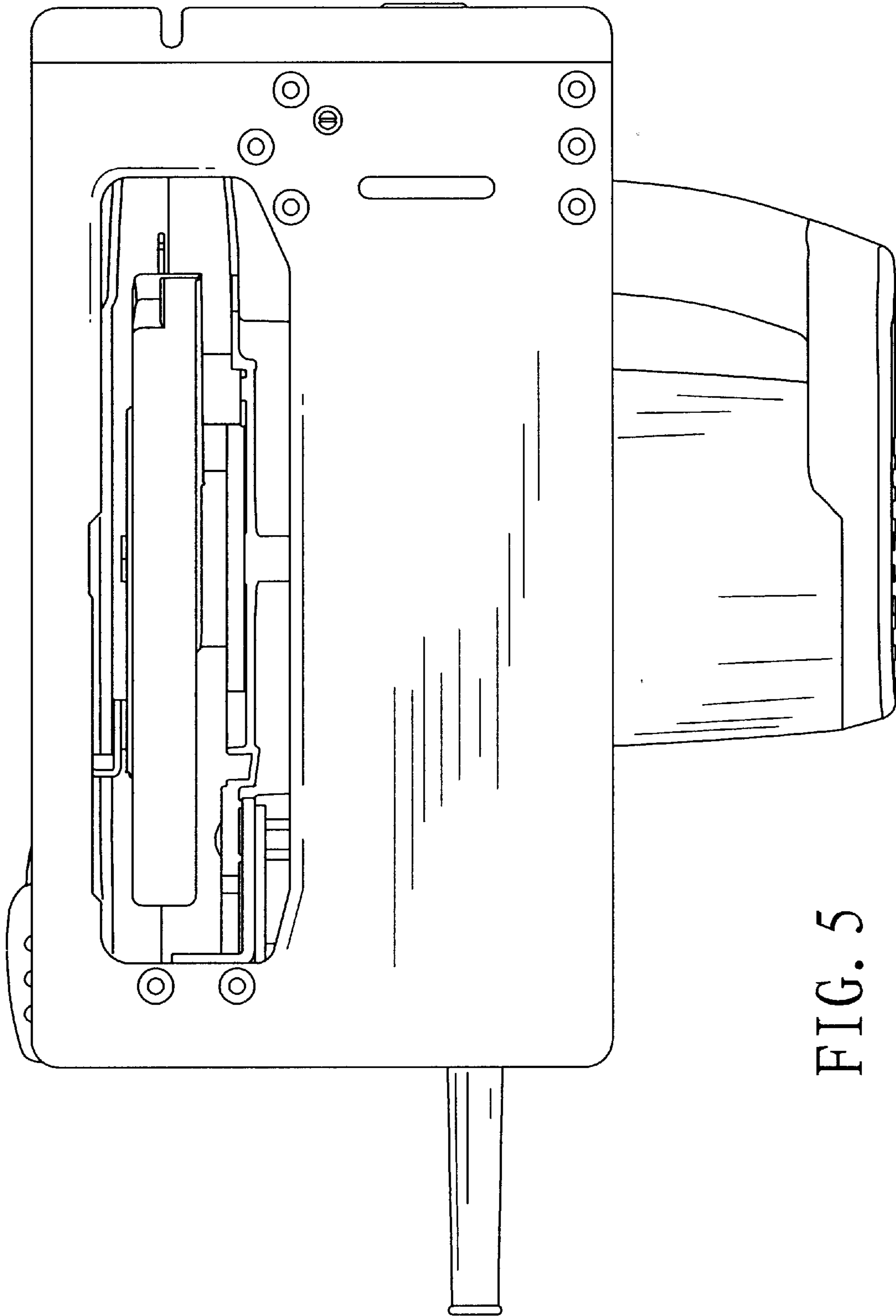


FIG. 5

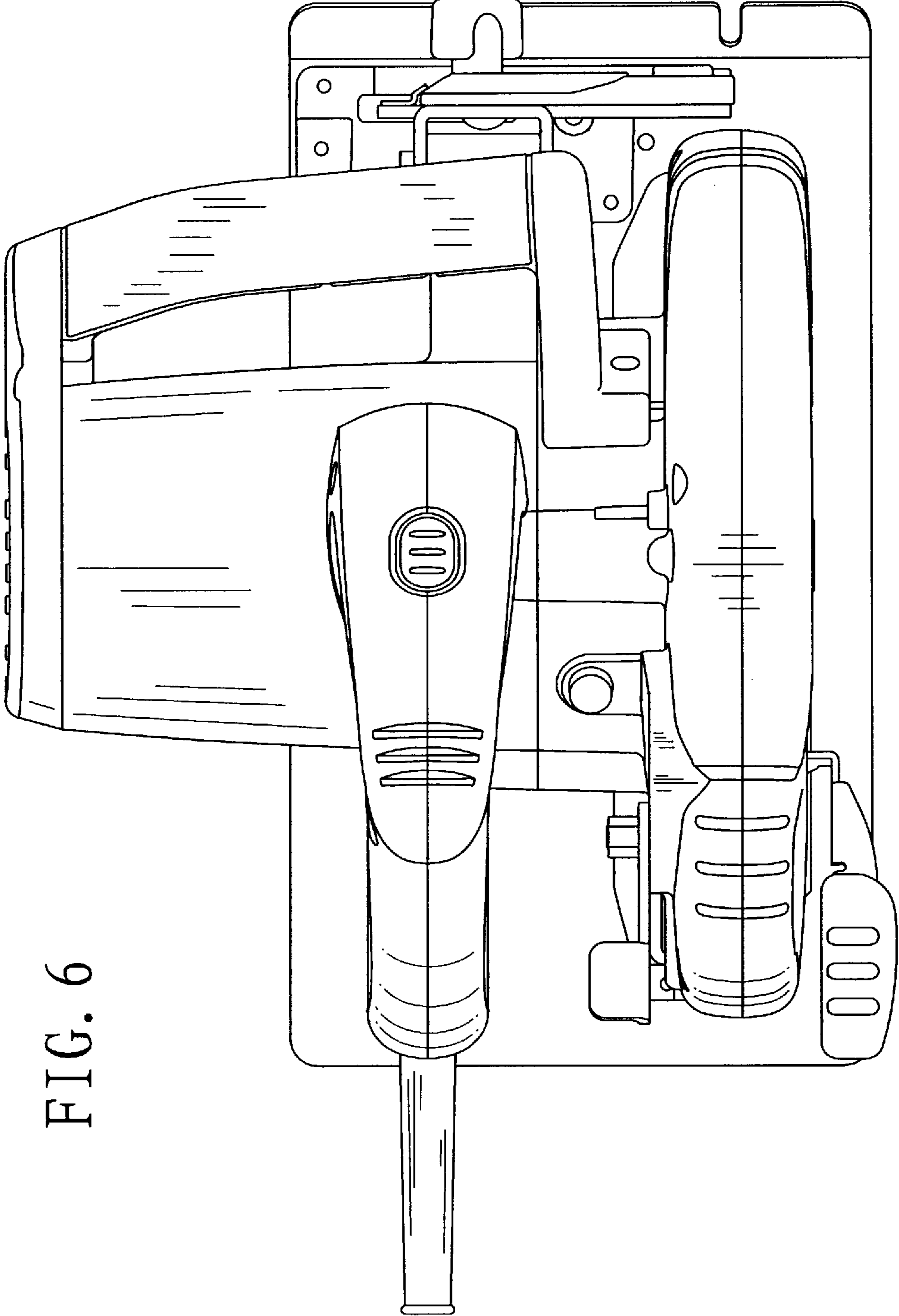


FIG. 6

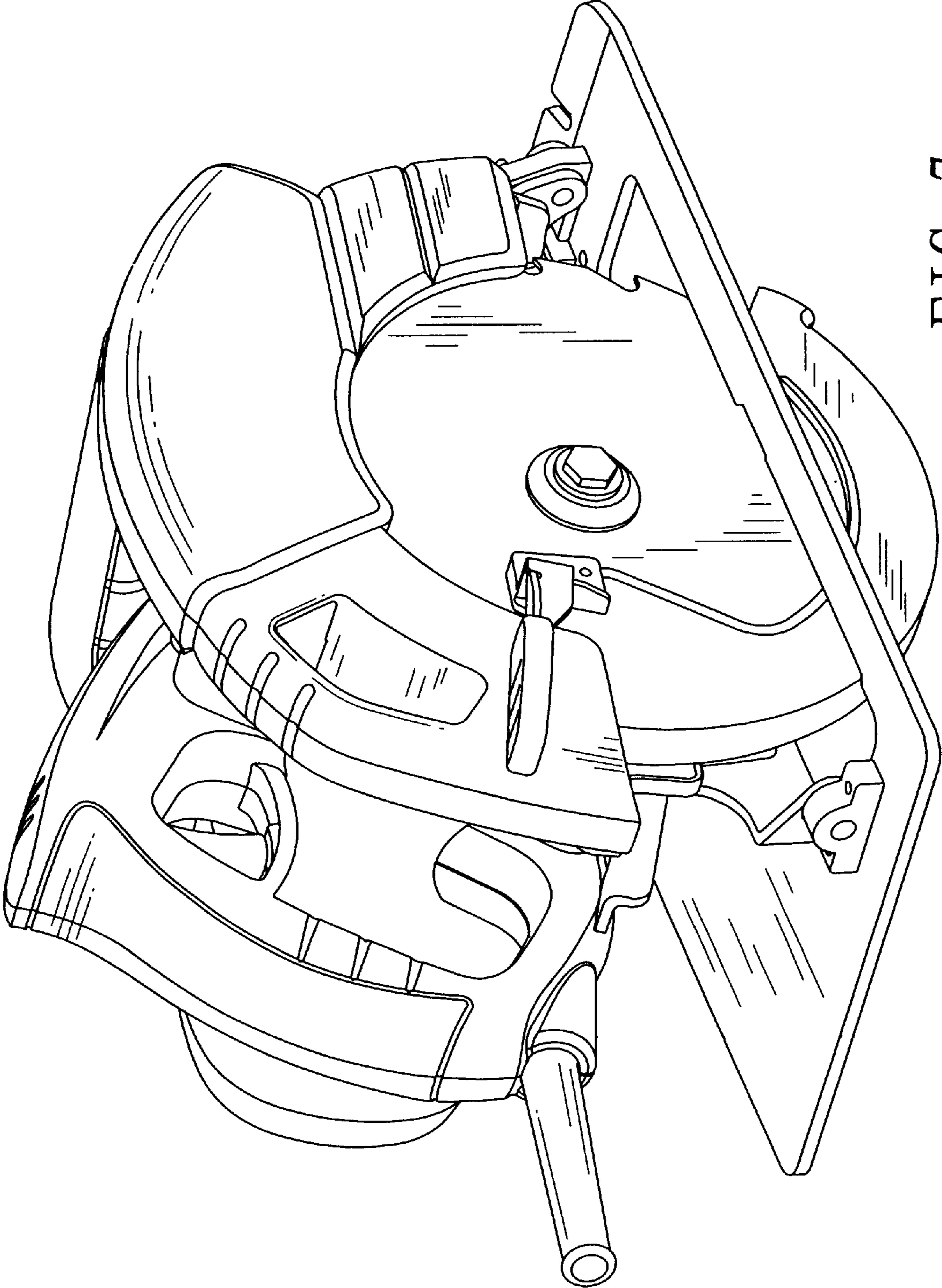


FIG. 7



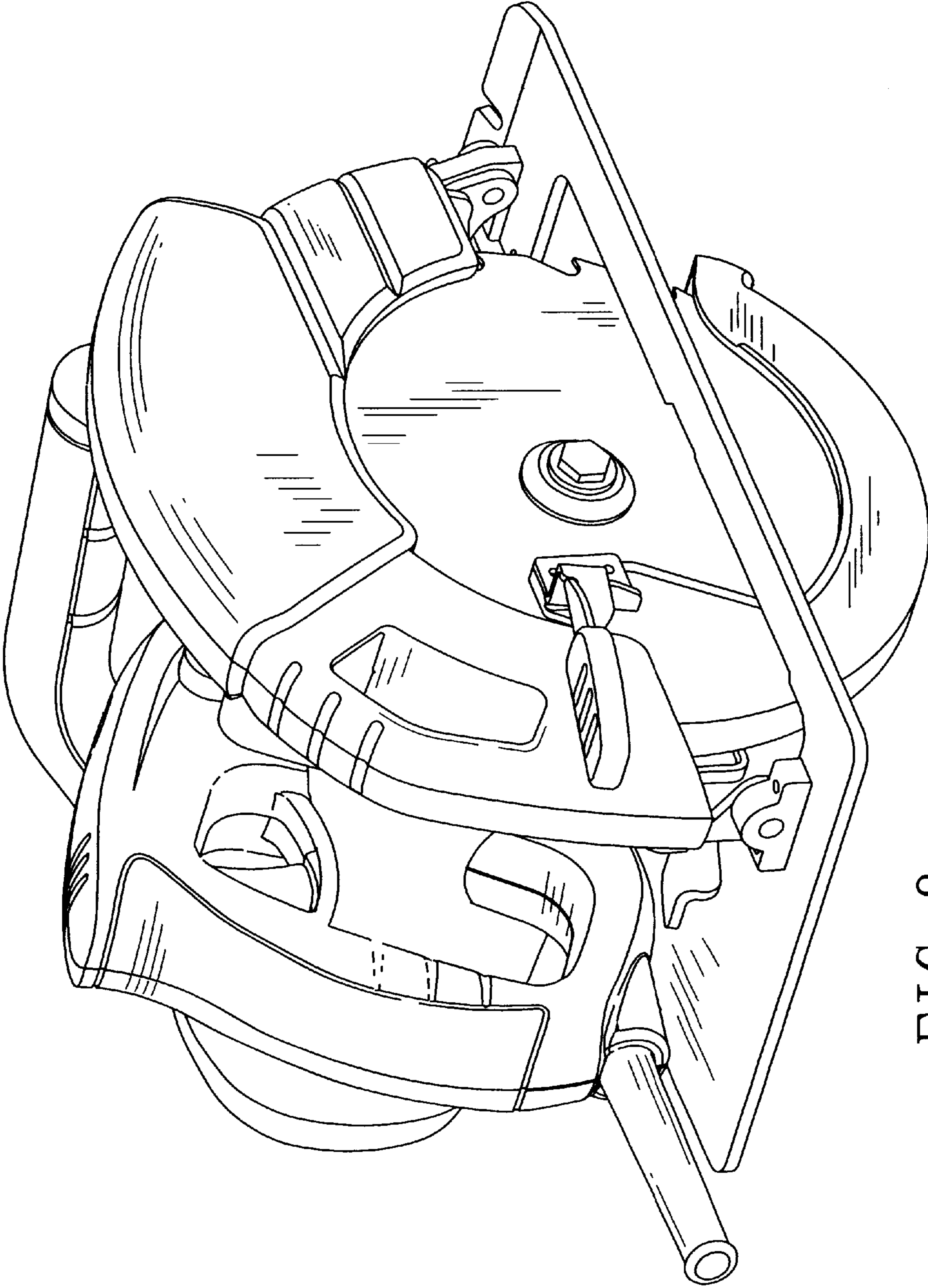


FIG. 8

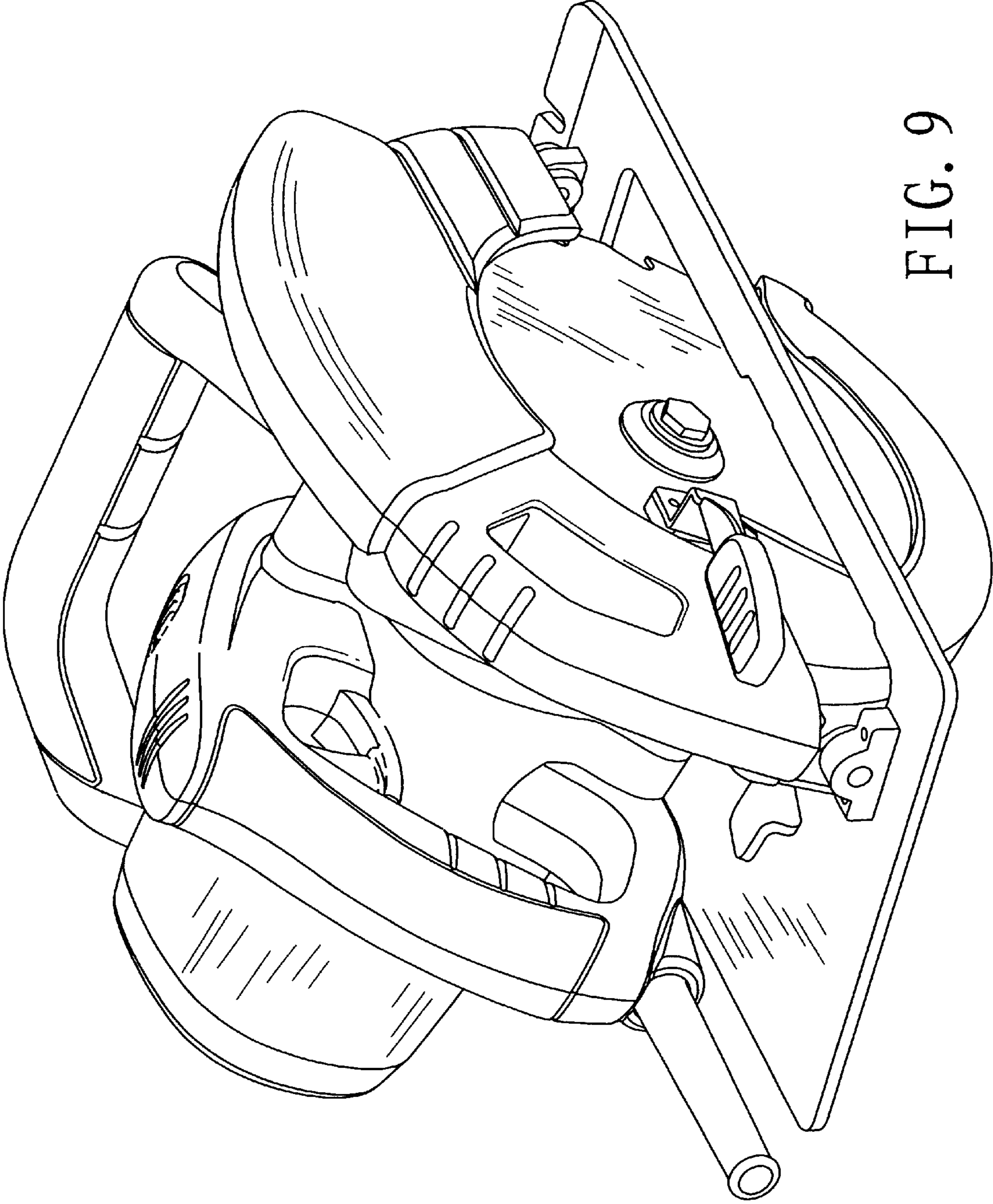


FIG. 9