

US00D501775S

(12) **United States Design Patent**  
**Tillman et al.**

(10) **Patent No.: US D501,775 S**  
(45) **Date of Patent: \*\* Feb. 15, 2005**

(54) **HAND PLANER**

(75) Inventors: **Thomas Shea Tillman**, Anderson, SC (US); **Kenneth M. Brazell**, Piedmont, SC (US); **Taku Ohi**, Greer, SC (US); **Sham Kam Lun Tailun**, Tai Po (HK)

(73) Assignee: **One World Technologies, Limited**, Hamilton (BM)

(\*\*) Term: **14 Years**

(21) Appl. No.: **29/201,010**

(22) Filed: **Mar. 9, 2004**

(51) **LOC (7) Cl.** ..... **08-01**

(52) **U.S. Cl.** ..... **D8/62**

(58) **Field of Search** ..... D8/61, 62, 67, D8/69; 30/475, 476, 477; 144/114.1, 117.4, 118, 154.5; 173/170, 171; 310/50; 409/178, 288, 309; 451/355, 451

(56) **References Cited**

**U.S. PATENT DOCUMENTS**

D282,236 S	*	1/1986	Shohoji et al.	.....	D8/61
4,601,104 A	*	7/1986	Zaiser et al.	.....	30/475
D305,721 S	*	1/1990	Fushiya et al.	.....	D8/62
D323,098 S	*	1/1992	Sakamoto et al.	.....	D8/62

5,094,000 A	*	3/1992	Becht et al.	.....	30/475
5,815,934 A	*	10/1998	Eichberger et al.	.....	30/475
D413,779 S	*	9/1999	Hayakawa et al.	.....	D8/62
D475,594 S	*	6/2003	Bian	.....	D8/62
6,612,089 B1	*	9/2003	Mann	.....	52/749.1
6,688,349 B2	*	2/2004	Roshilavati Razlan et al.	..	144/154.5

\* cited by examiner

*Primary Examiner*—Joel A. Sincavage

(74) *Attorney, Agent, or Firm*—John B. Hardaway, III; Nexsen Pruet

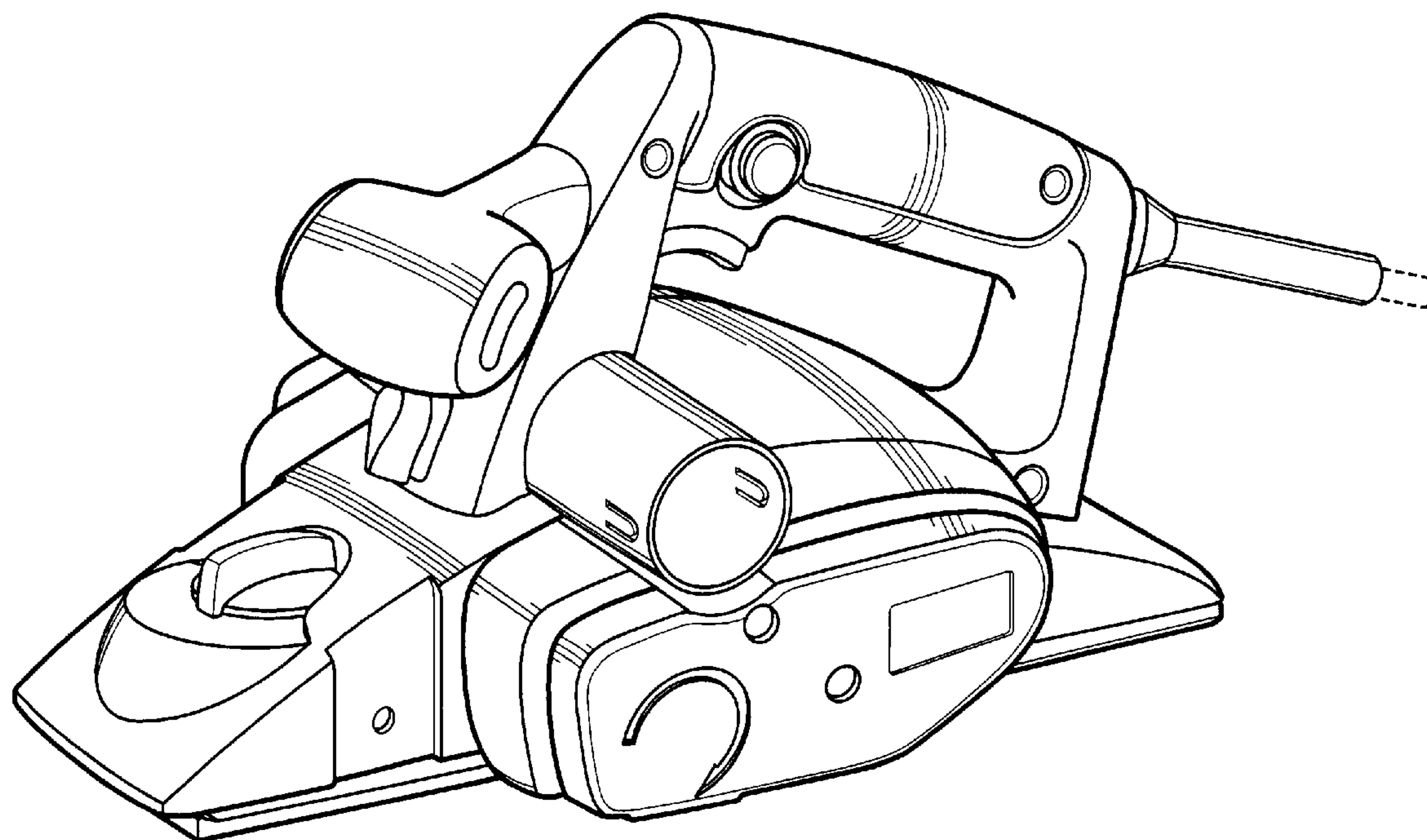
(57) **CLAIM**

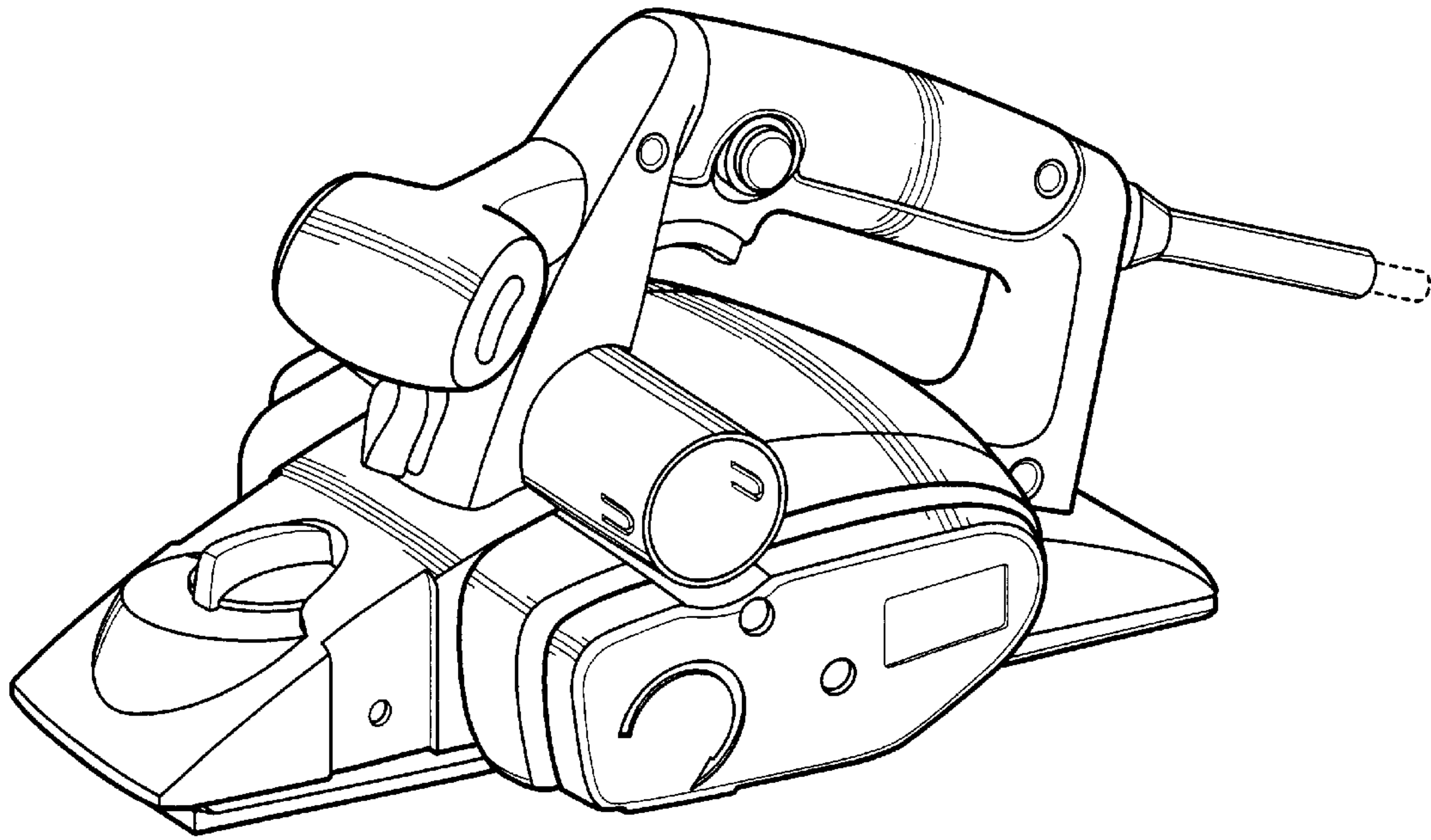
The ornamental design for a hand planer, as shown and described.

**DESCRIPTION**

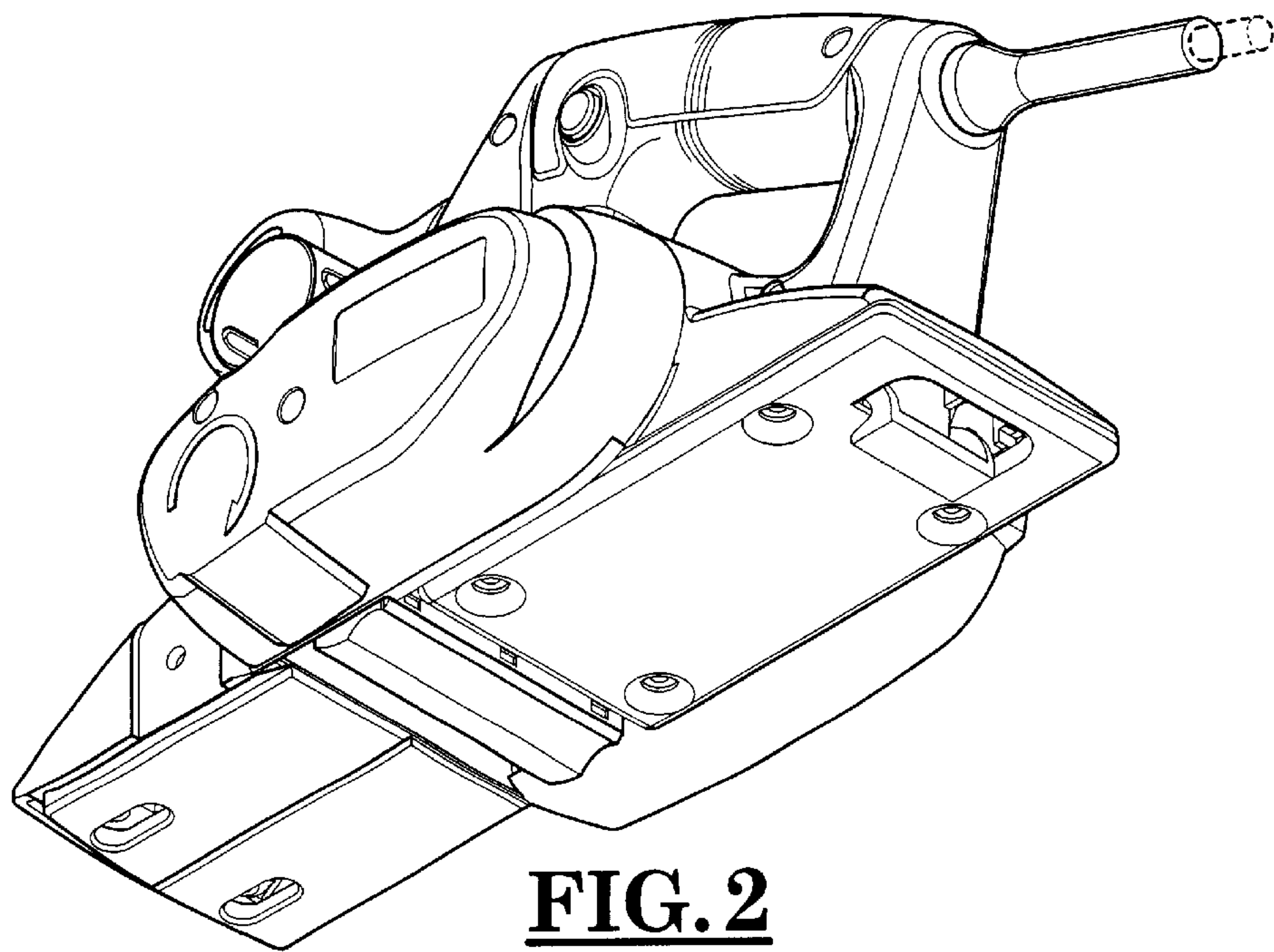
FIG. 1 is a top left perspective view of a second embodiment of the hand planer of the present invention; FIG. 2 is a bottom left perspective view thereof; FIG. 3 is a right side view thereof; FIG. 4 is a left side view thereof; FIG. 5 is a front view thereof; FIG. 6 is a rear view thereof; FIG. 7 is a top view thereof; and, FIG. 8 is a bottom view thereof.

**1 Claim, 3 Drawing Sheets**

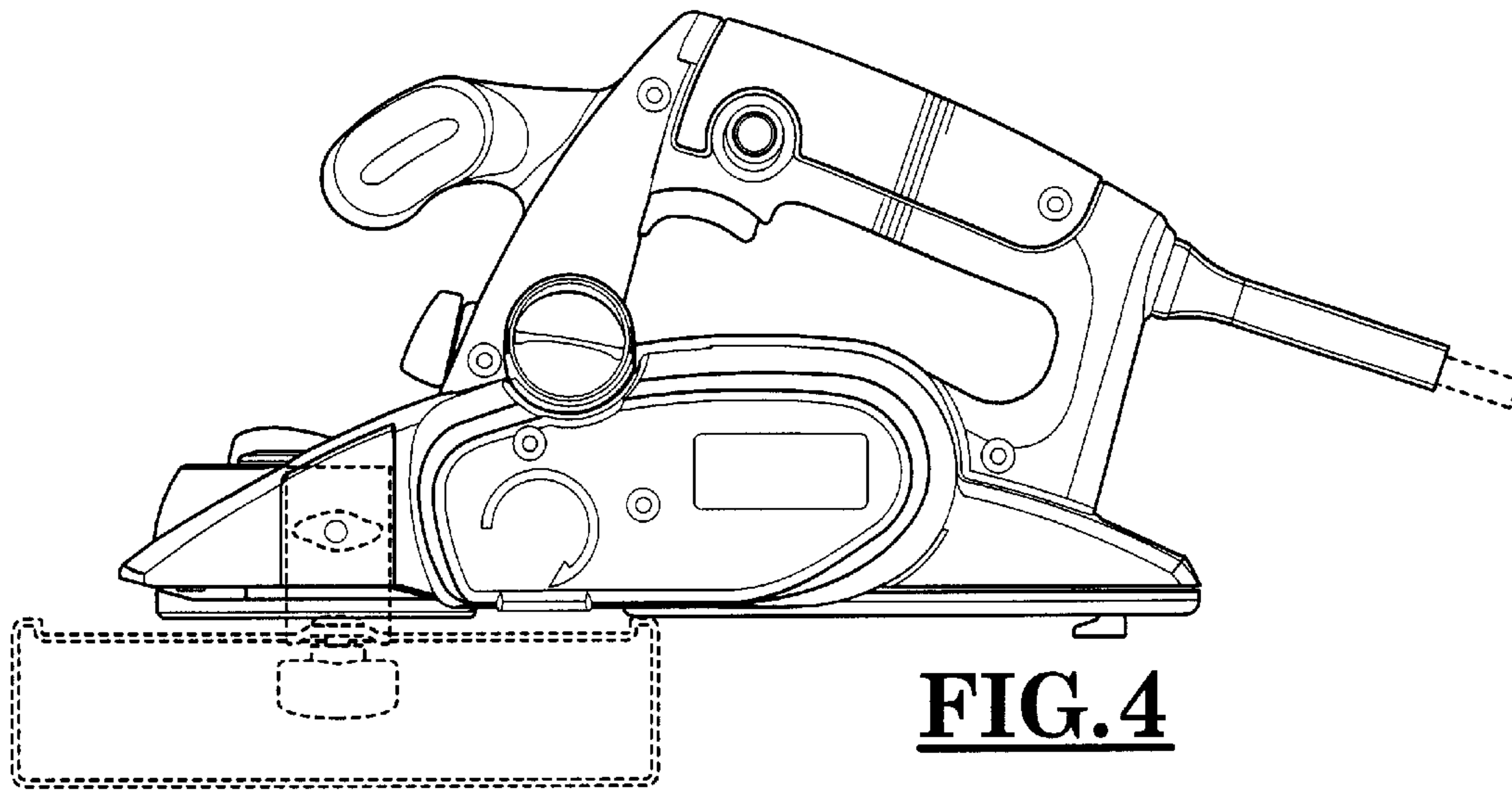
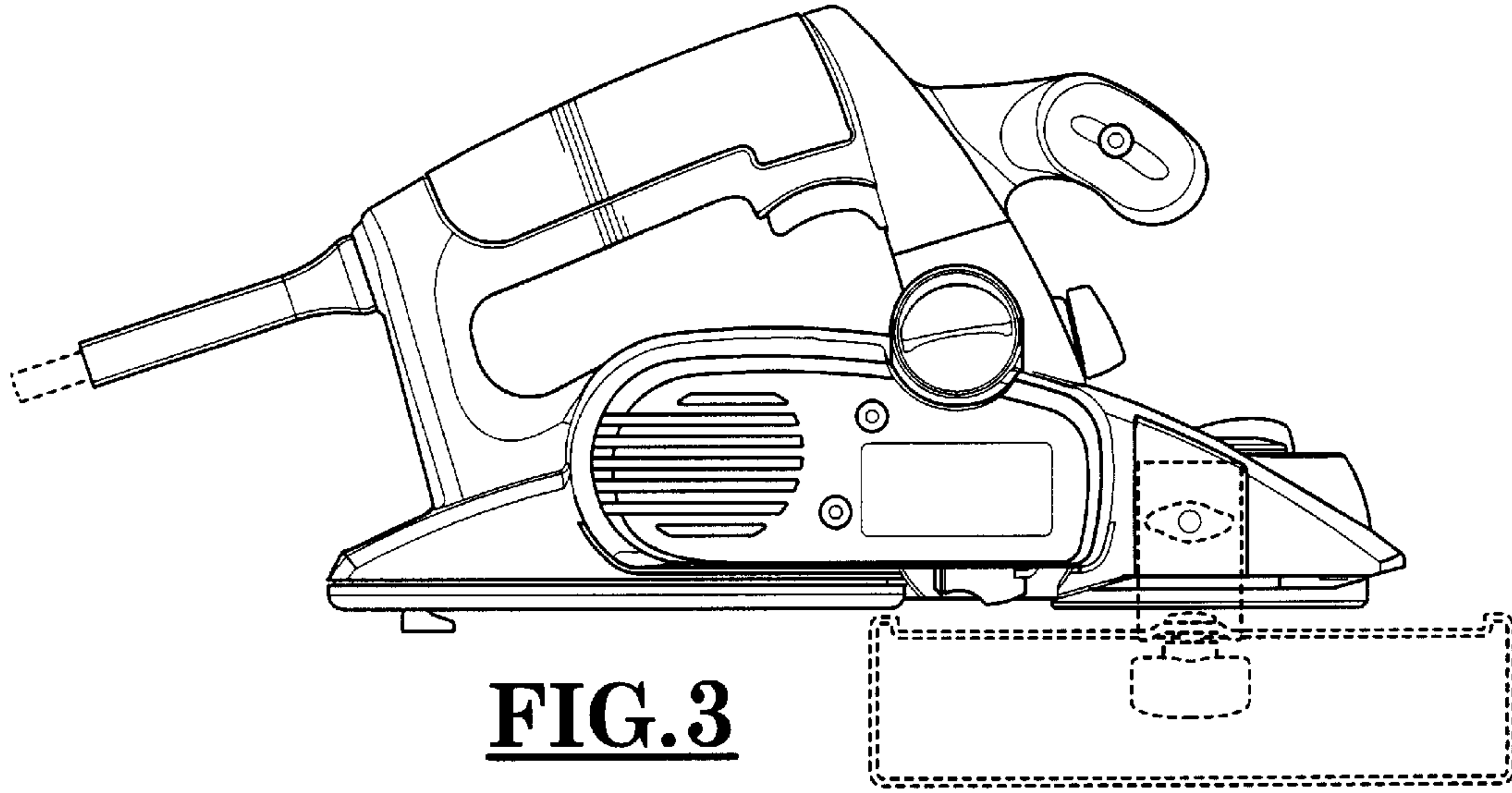




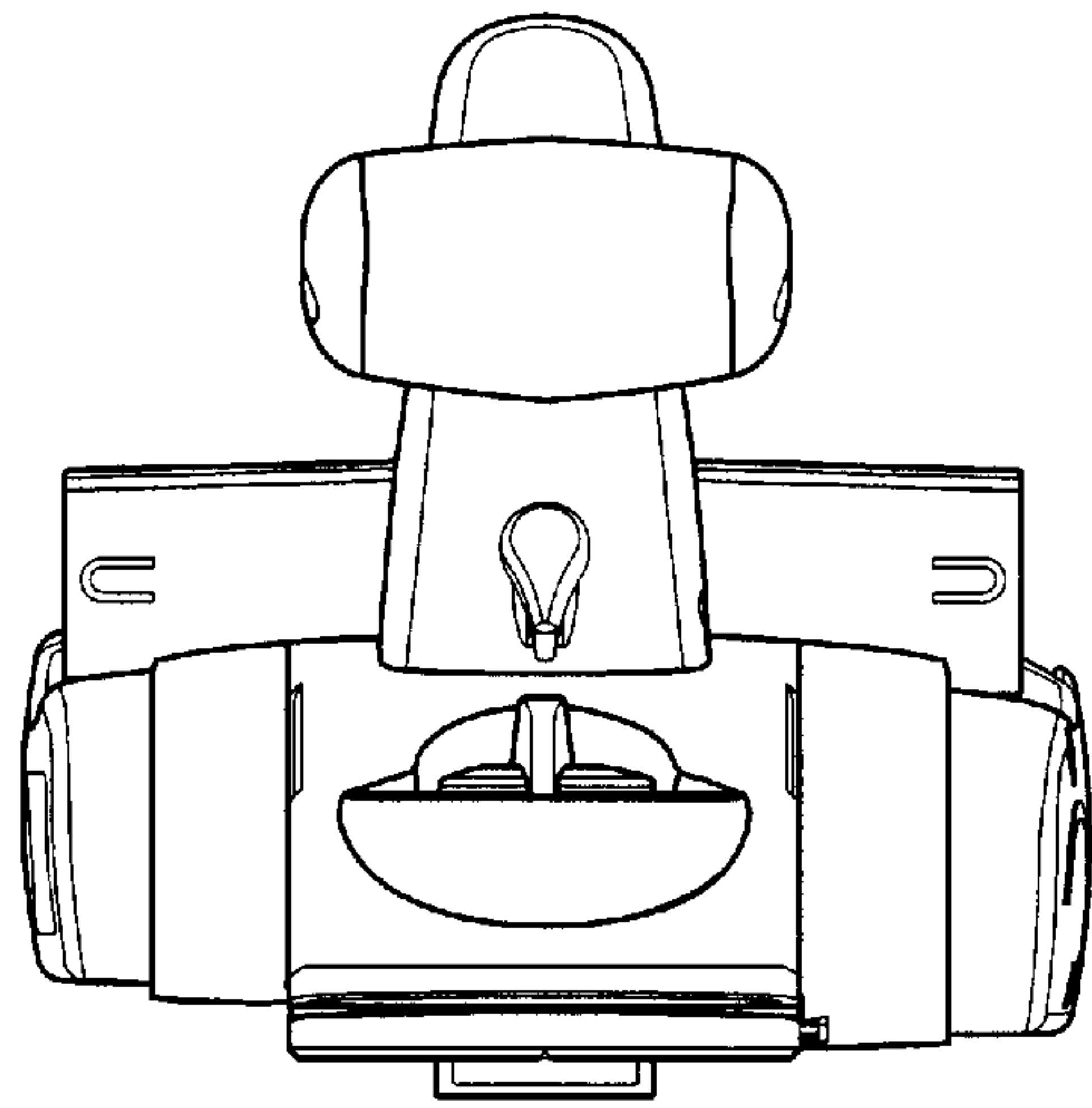
**FIG. 1**



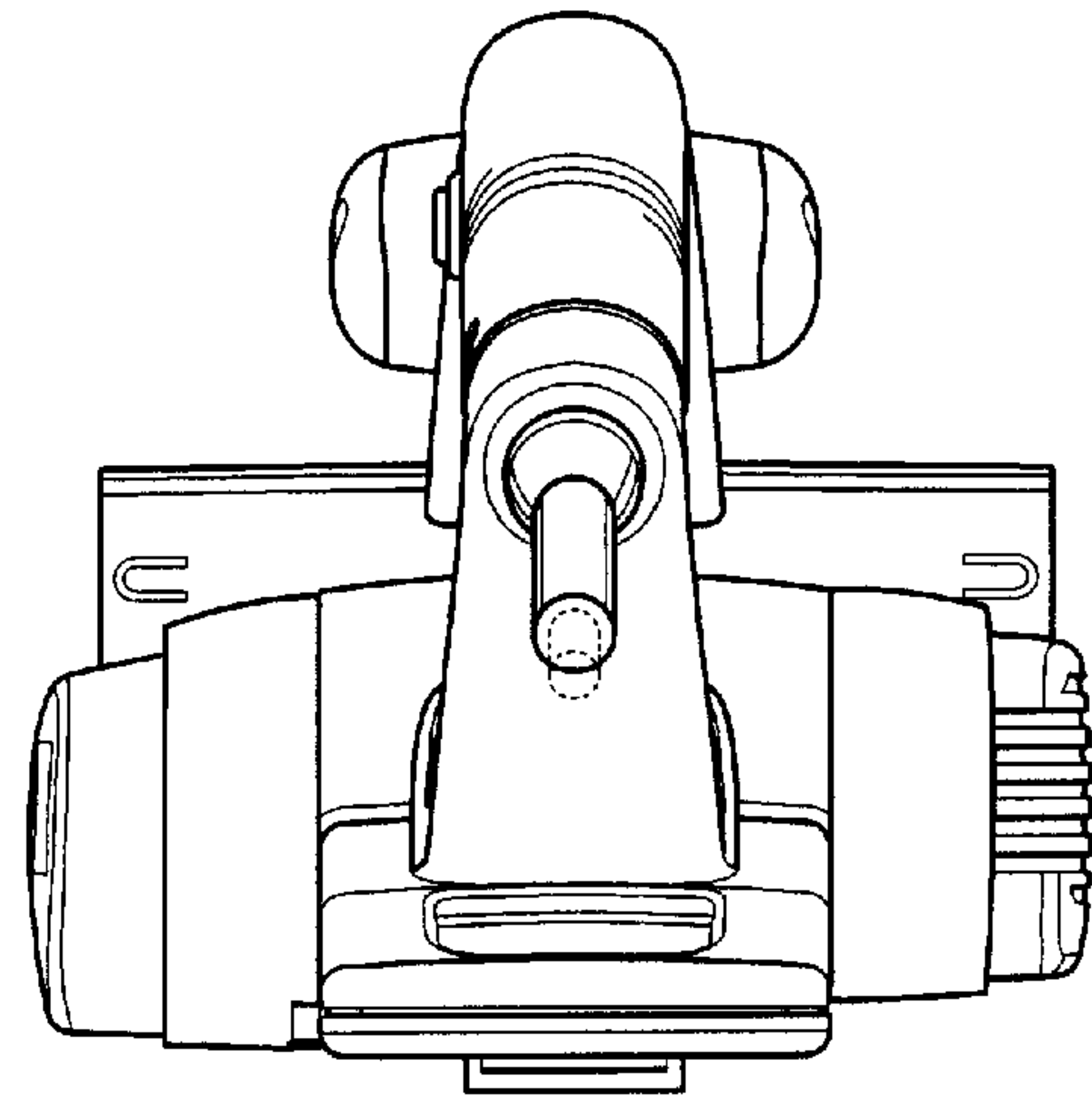
**FIG. 2**



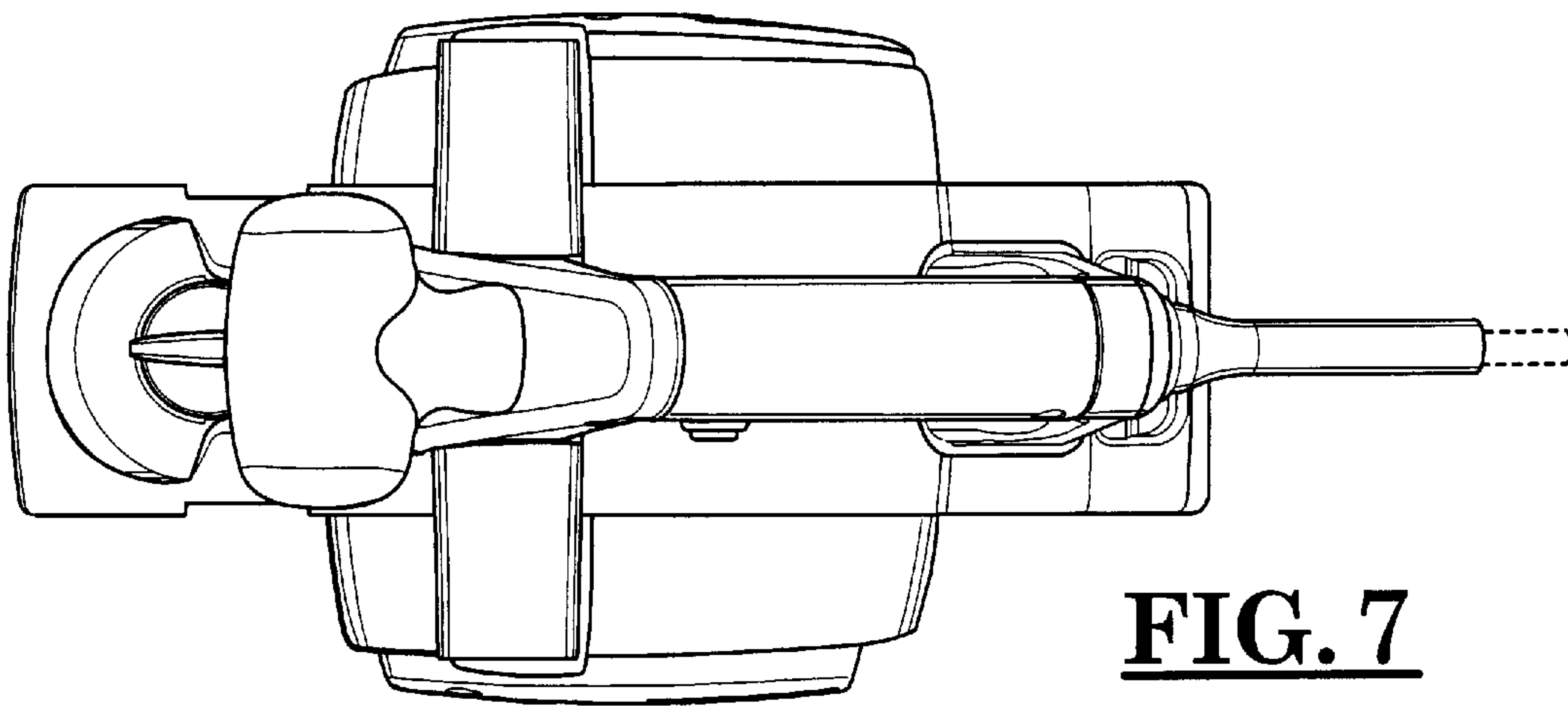




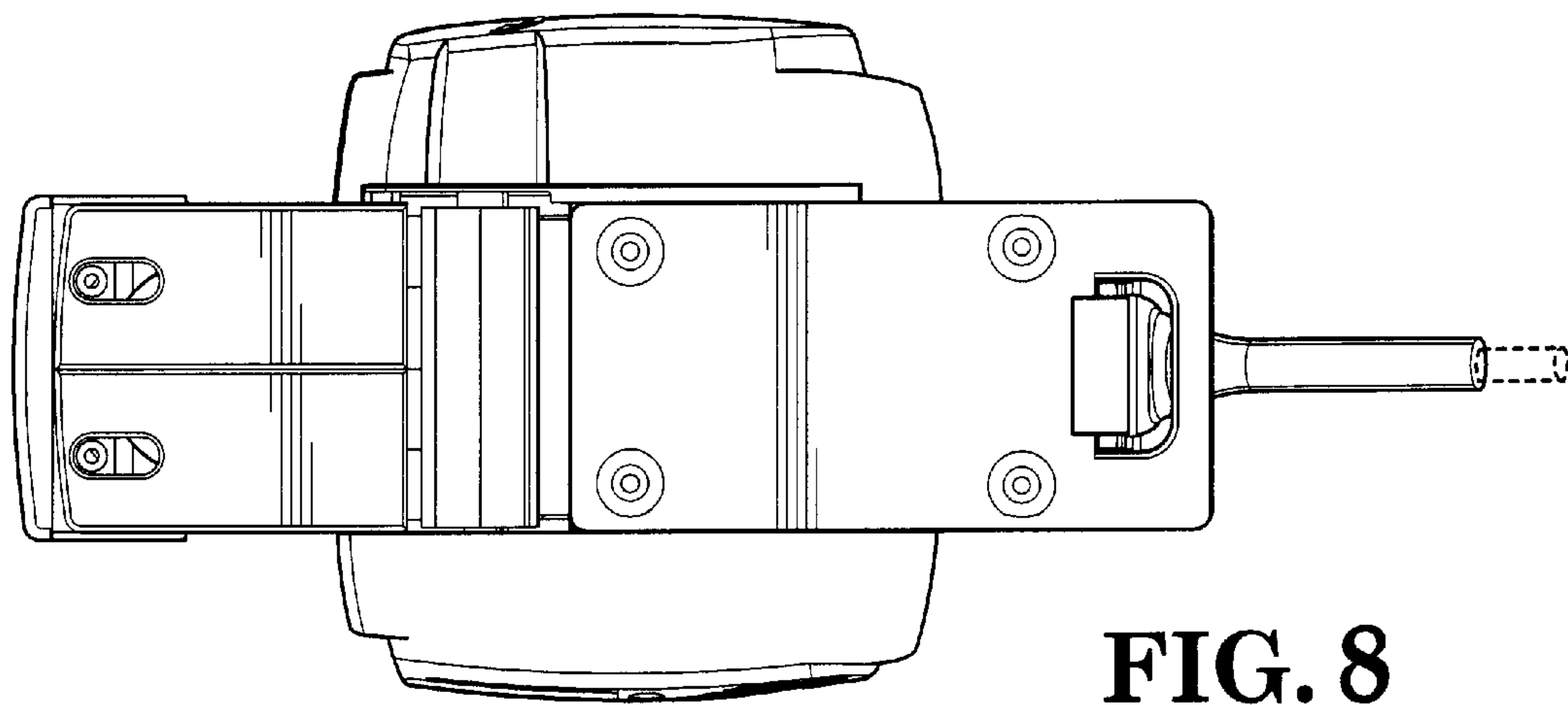
**FIG. 5**



**FIG. 6**



**FIG. 7**



**FIG. 8**