

US00D501772S

(12) **United States Design Patent**  
**Overthun et al.**

(10) **Patent No.:** **US D501,772 S**

(45) **Date of Patent:** **\*\* Feb. 15, 2005**

(54) **SAFETY CAN OPENER**

D441,626 S \* 5/2001 Greiner ..... D8/41

(75) Inventors: **Thomas Overthun**, San Francisco, CA (US); **Annetta M. Papadopoulos**, Palo Alto, CA (US); **David Webster**, San Francisco, CA (US)

**FOREIGN PATENT DOCUMENTS**

GB 2044121 \* 12/1994

\* cited by examiner

(73) Assignee: **Zyliss USA Corp.**, Foothill Ranch, CA (US)

*Primary Examiner*—Caron D. Veynar

(74) *Attorney, Agent, or Firm*—Snell & Wilmer LLP

(\*\*) Term: **14 Years**

(57) **CLAIM**

The ornamental design for a safety can opener, as shown.

(21) Appl. No.: **29/181,809**

**DESCRIPTION**

(22) Filed: **May 15, 2003**

(51) **LOC (7) Cl.** ..... **07-99**

FIG. 1 is a side perspective view of a safety can opener showing our new design;

(52) **U.S. Cl.** ..... **D8/40**; D8/39

FIG. 2 is a left side view of the safety can opener of FIG. 1; FIG. 3 is a right side view of the safety can opener of FIG. 1;

(58) **Field of Search** ..... D8/16–20, 33–35, D8/38–43, 88, 89, 105; 7/138, 151–166; 30/1.5, 169, 400–450; 81/3.05–3.49; 294/15

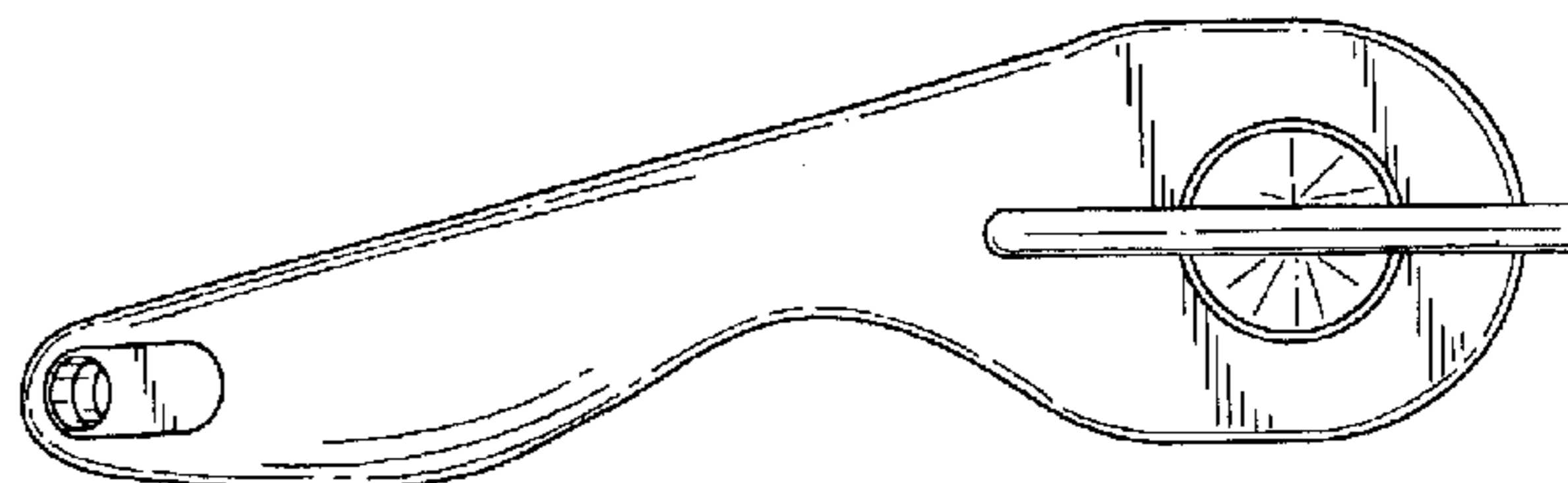
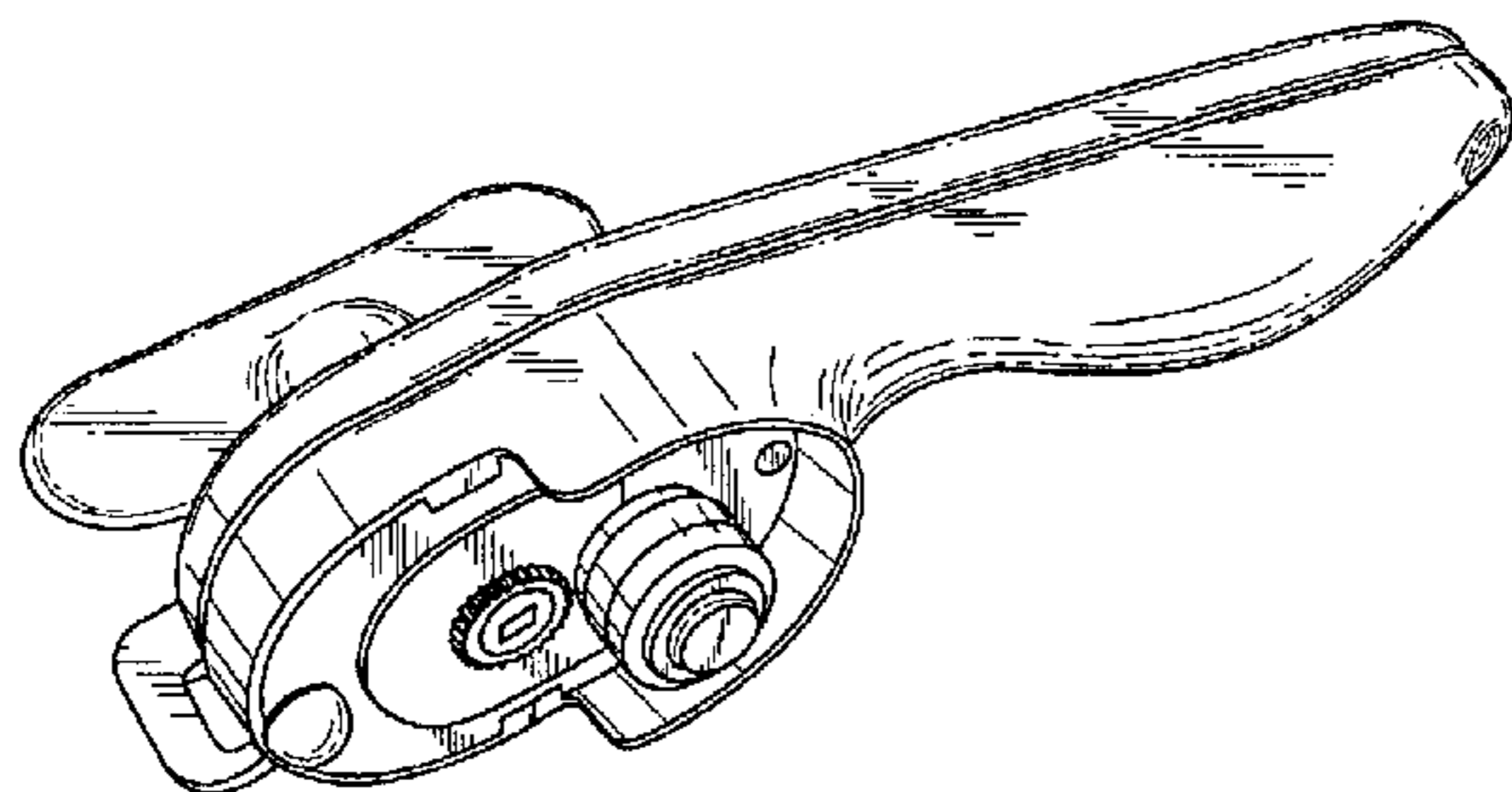
FIG. 4 is a back view of the safety can opener of FIG. 1; FIG. 5 is a front view of the safety can opener of FIG. 1; and FIG. 6 is a top view of the safety can opener of FIG. 1; and, FIG. 7 is a bottom view of the safety can opener of FIG. 1.

(56) **References Cited**

**U.S. PATENT DOCUMENTS**

D404,269 S \* 1/1999 Chang ..... D8/39

**1 Claim, 3 Drawing Sheets**



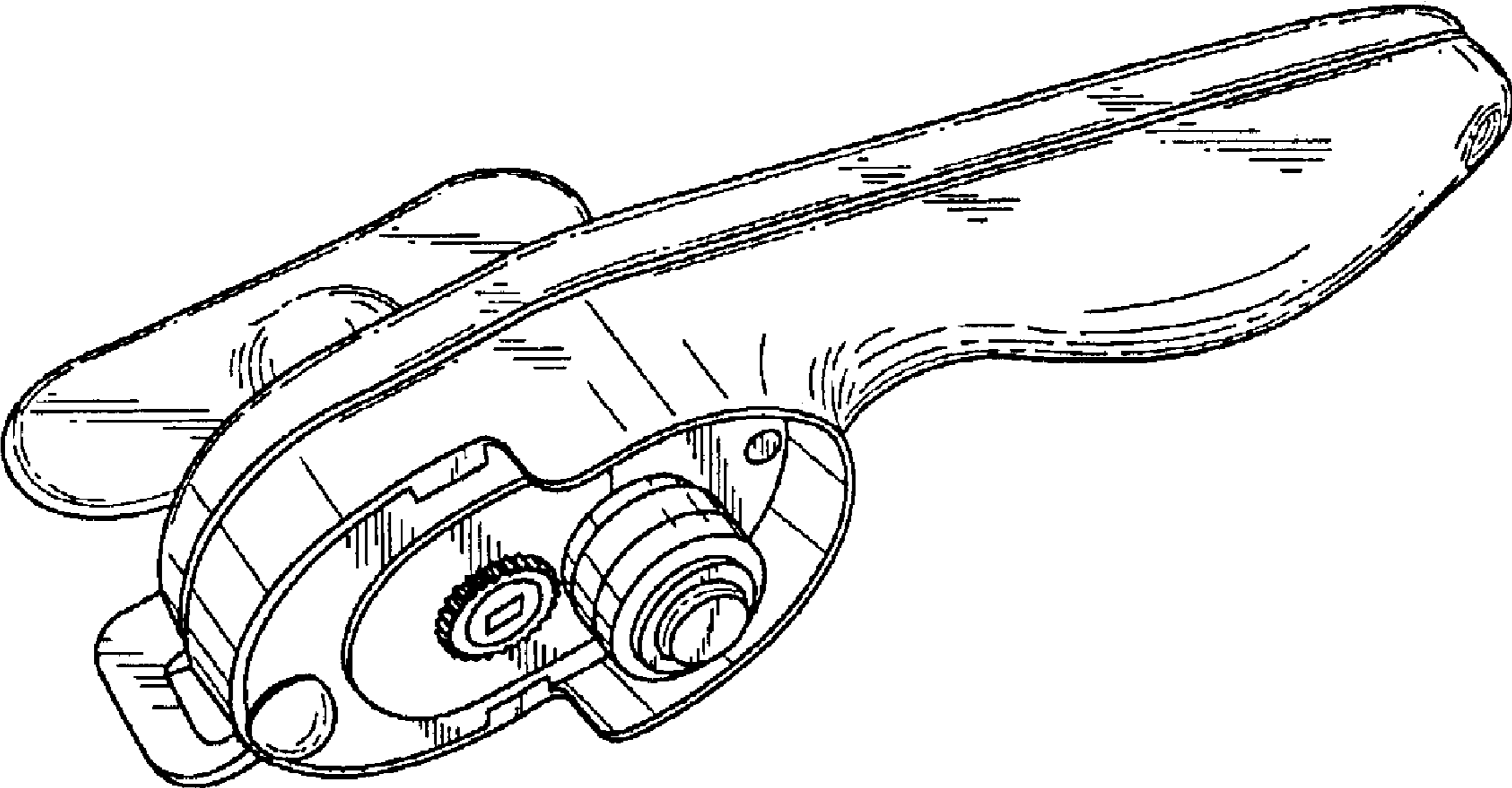


FIG.1

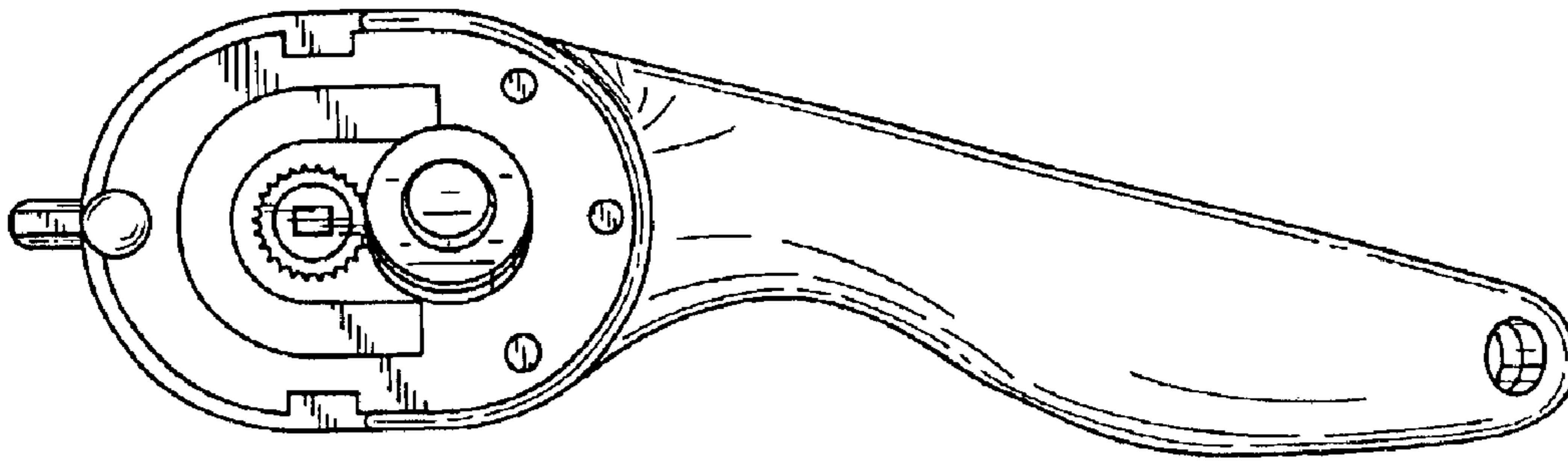


FIG. 2

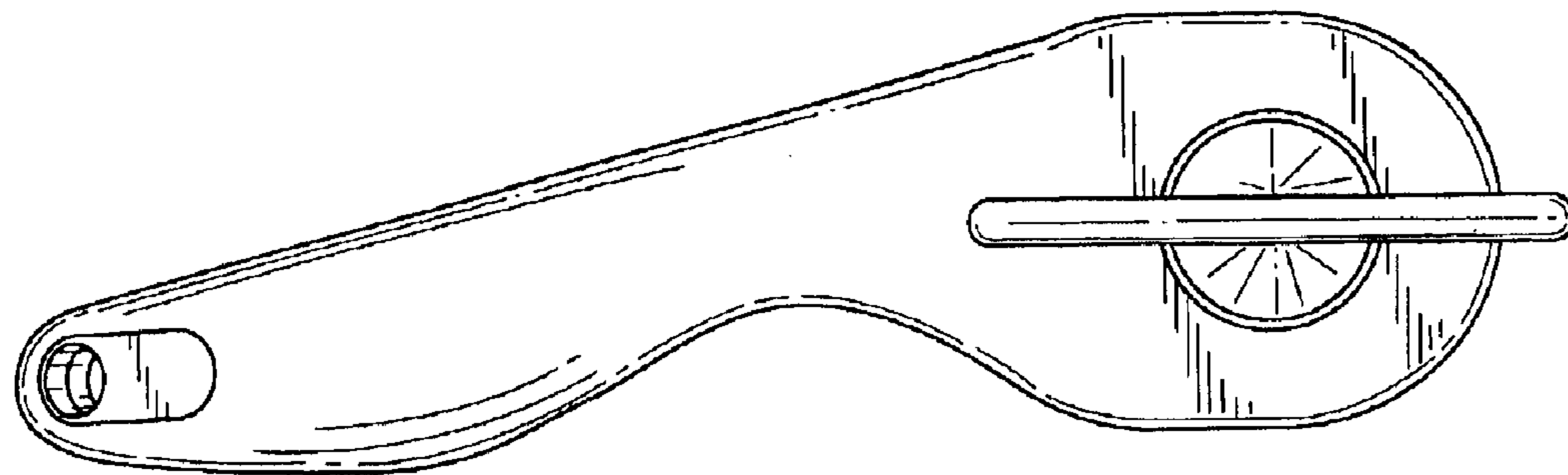


FIG. 3

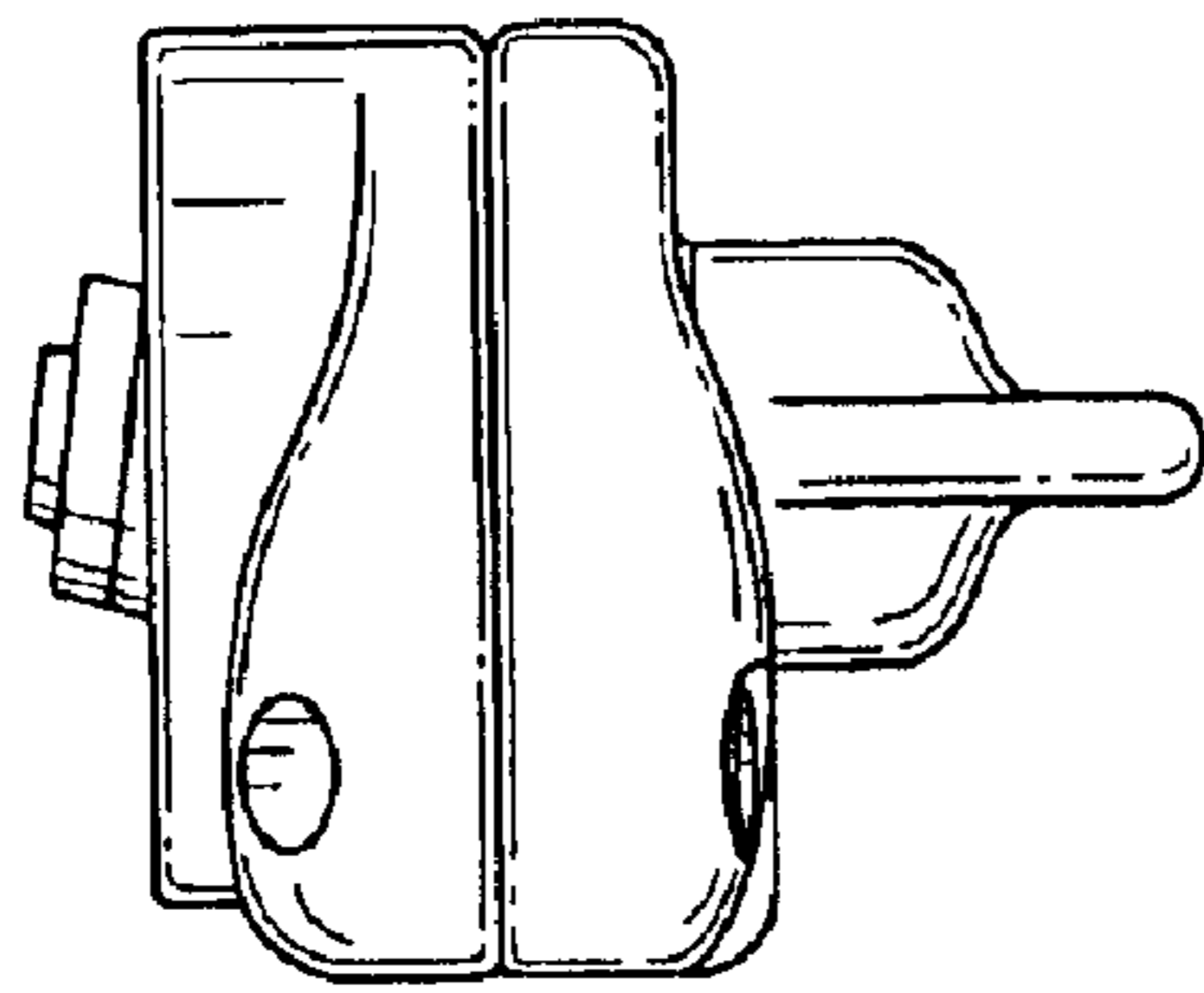


FIG. 4

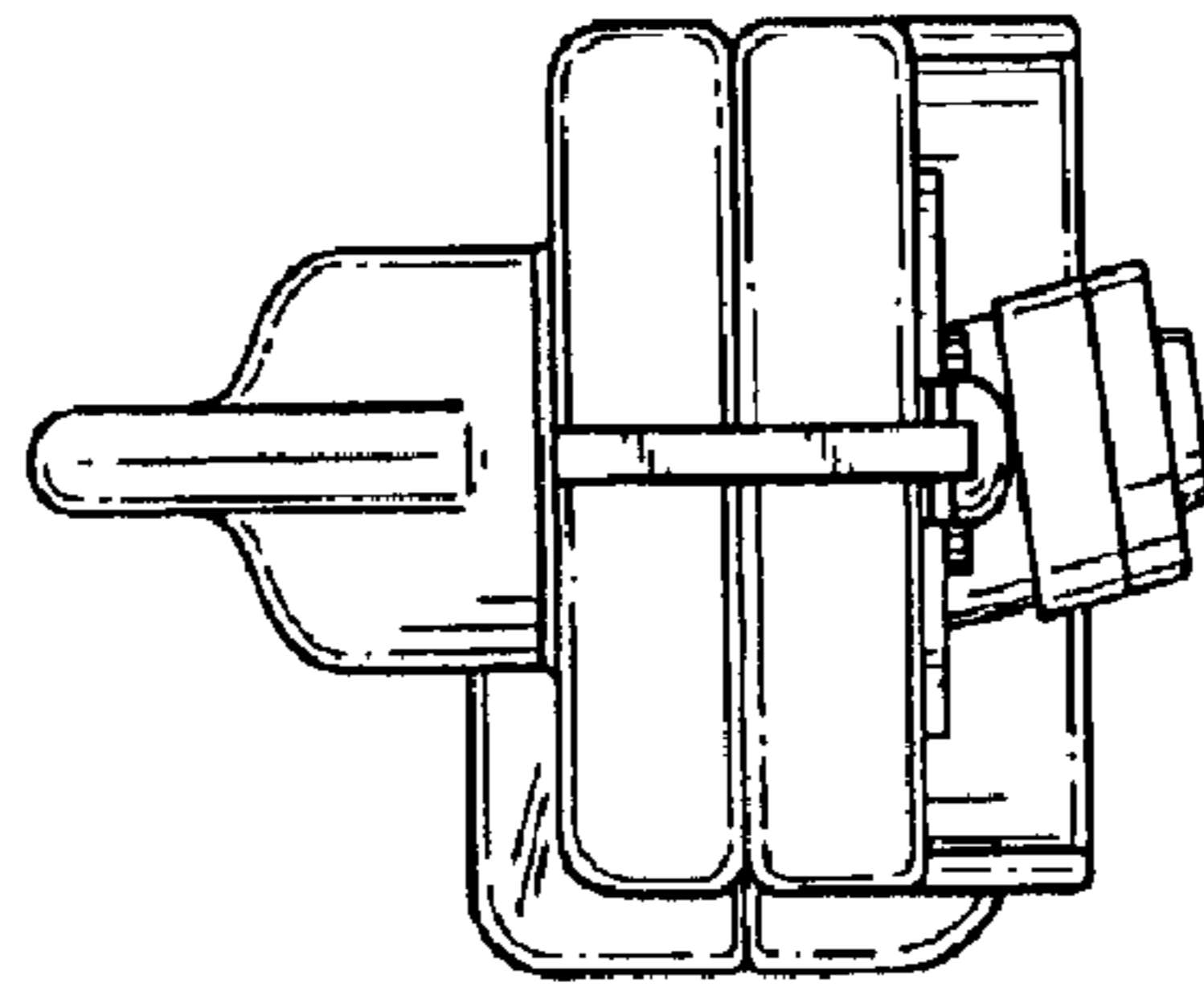


FIG. 5

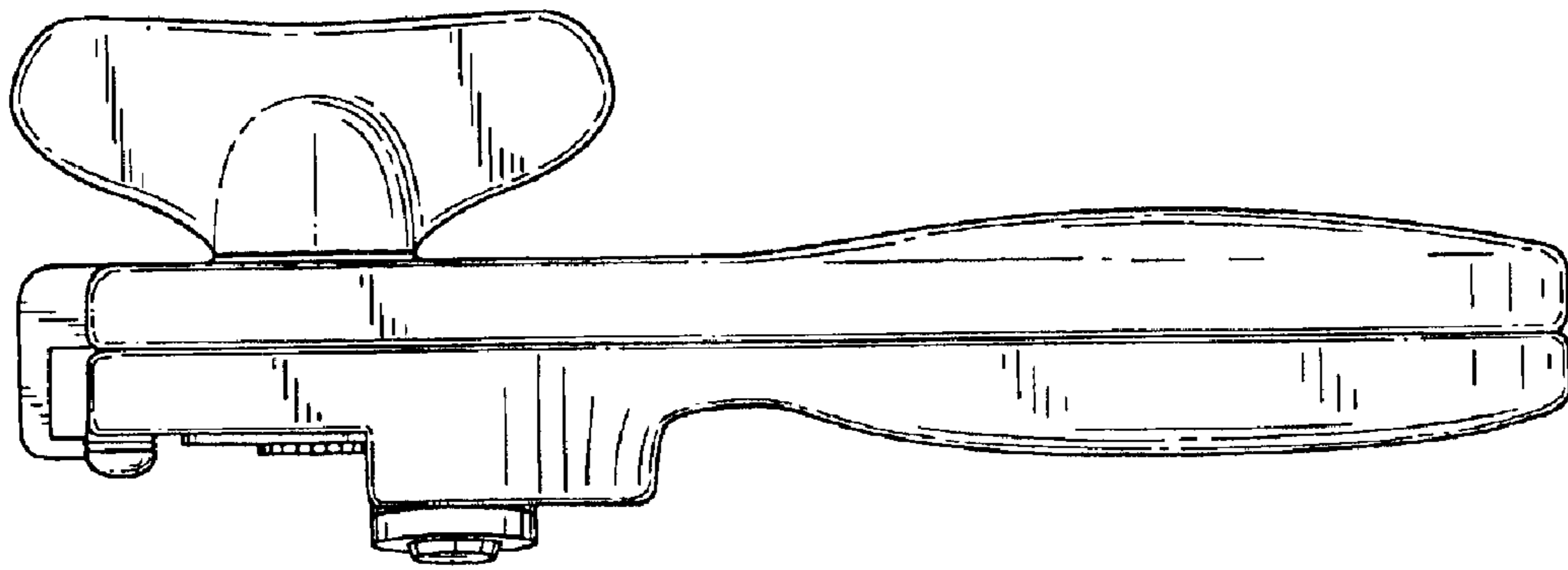


FIG. 6

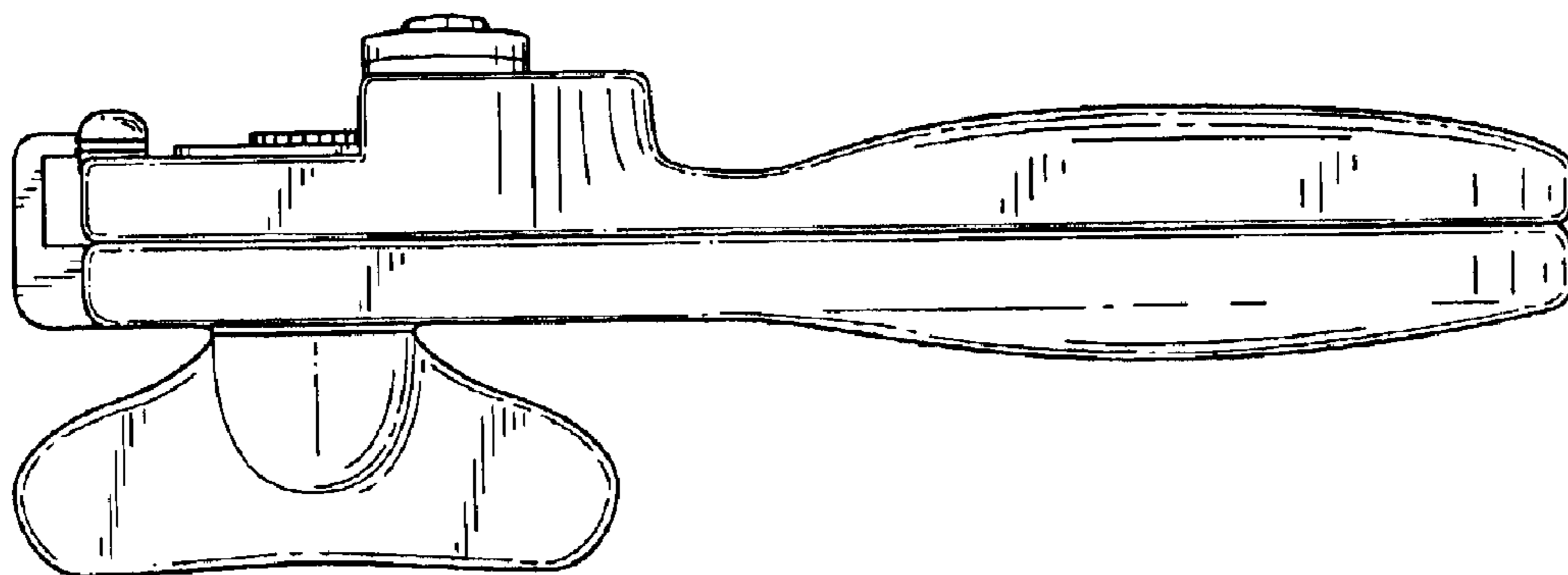


FIG. 7