



US00D501770S

(12) **United States Design Patent**
Di Bitonto et al.

(10) **Patent No.: US D501,770 S**
(45) **Date of Patent: ** Feb. 15, 2005**

(54) **CAN OPENER**

(75) Inventors: **Anthony Di Bitonto**, Brooklyn, NY (US); **Arsenio Garcia**, Brooklyn, NY (US); **Kevin Lozeau**, Ridge, NY (US); **Alec Drummond**, Brooklyn, NY (US); **Jeff Brunner**, Brooklyn, NY (US); **Adriana Kliegman**, New York, NY (US)

(73) Assignee: **Helen of Troy Limited**, Bridgetown (BB)

(**) Term: **14 Years**

(21) Appl. No.: **29/180,951**

(22) Filed: **May 2, 2003**

(51) **LOC (7) Cl.** **07-99**

(52) **U.S. Cl.** **D8/39**

(58) **Field of Search** D8/16-20, 33-35, D8/38-43, 88, 89, 105; 7/138, 151-166; 30/1.5, 169, 400-450; 81/3.05-3.49; 294/15

(56) **References Cited**

U.S. PATENT DOCUMENTS

2,265,491 A	12/1941	Powers
2,503,467 A	4/1950	Blind
2,976,075 A	3/1961	Budreck
3,002,274 A	10/1961	Jepson et al.
3,079,683 A	3/1963	Carew et al.
3,156,979 A	11/1964	Hafstrom et al.

3,307,256 A	3/1967	Powers	
5,313,708 A	5/1994	Edwards et al.	
5,430,945 A	7/1995	Huang	
5,666,735 A	9/1997	Kosten et al.	
D404,269 S	*	1/1999	Chang D8/39
6,088,921 A	7/2000	Valento	
D454,472 S	*	3/2002	Sum D8/39

* cited by examiner

Primary Examiner—Caron D. Veynar

(74) *Attorney, Agent, or Firm*—Seyfarth Shaw LLP

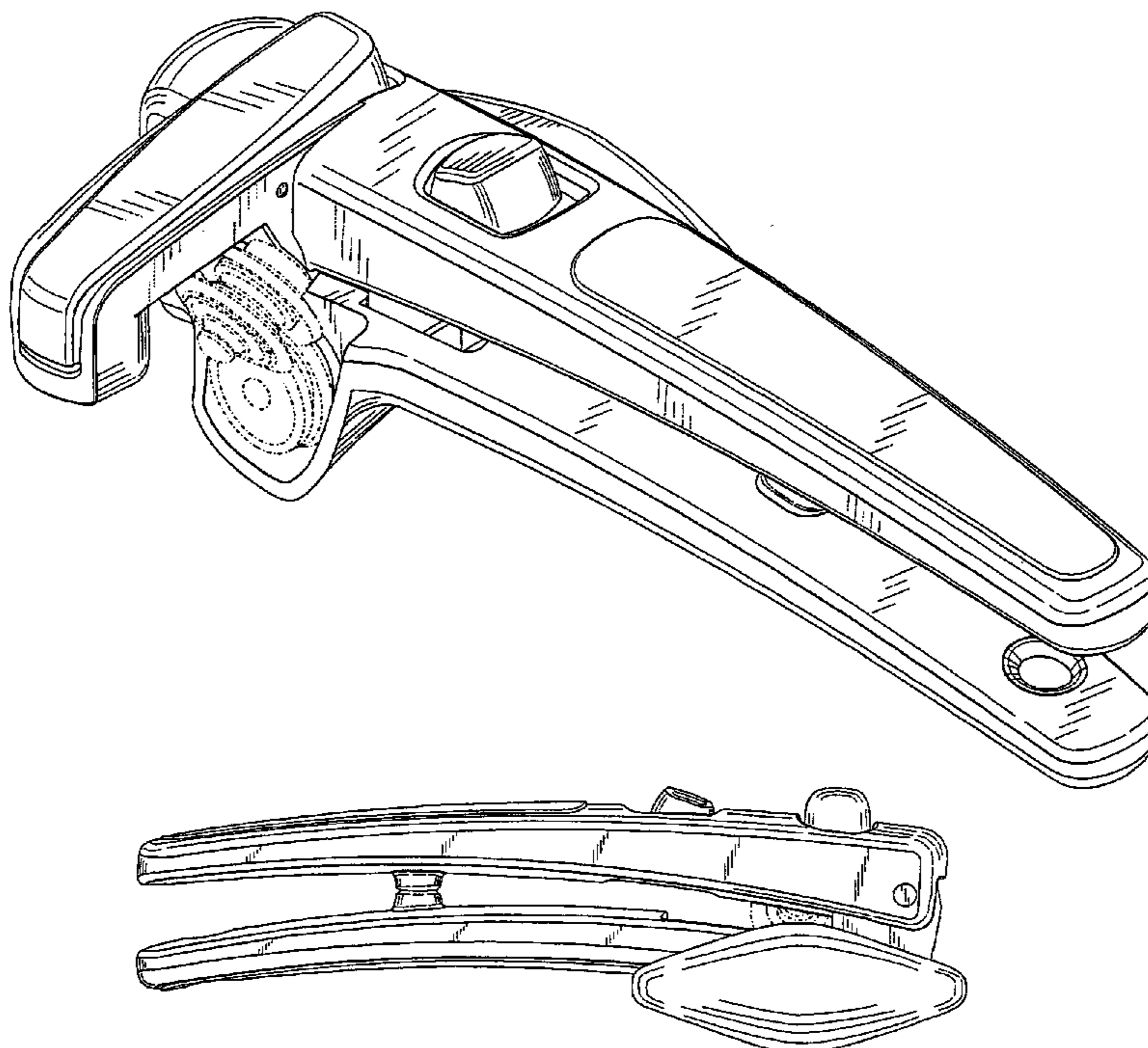
(57) **CLAIM**

The ornamental design for the can opener, as shown and described.

DESCRIPTION

FIG. 1 is a perspective view of the can opener showing our new design;
 FIG. 2 is a top plan view;
 FIG. 3 is a bottom plan view;
 FIG. 4 is a side elevational view of one side;
 FIG. 5 is a side elevational view of the other side;
 FIG. 6 is an elevational view of one end;
 FIG. 7 is an elevational view of the other end;
 FIG. 8 is a view between the handles of FIG. 1 looking down at the lower handle of FIG. 1; and,
 FIG. 9 is a view between the handles of FIG. 1 looking up at the upper handle.
 The broken lines shown in FIGS. 1-9 are for illustrative purposes only and form no part of the claimed design.

1 Claim, 4 Drawing Sheets



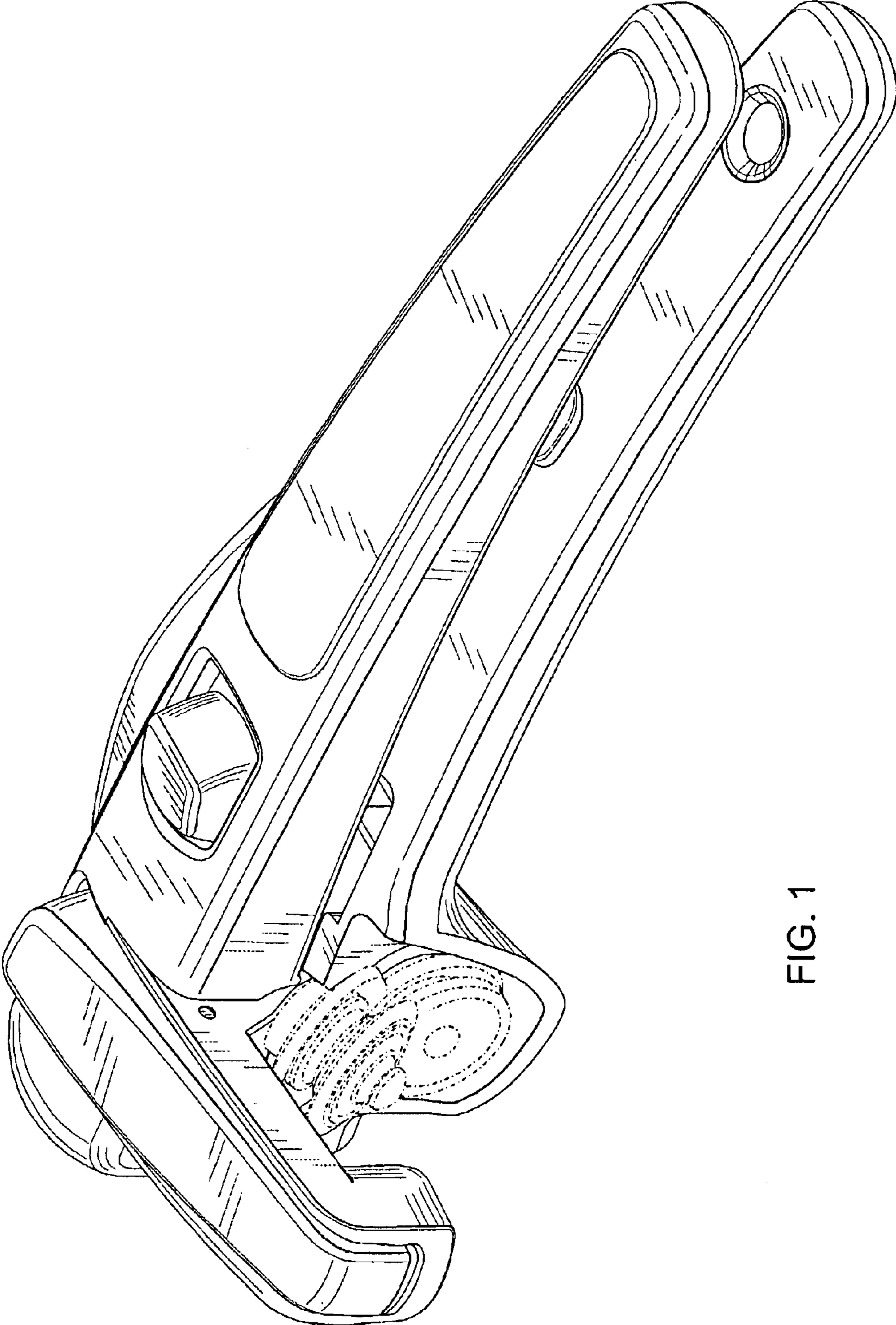


FIG. 1

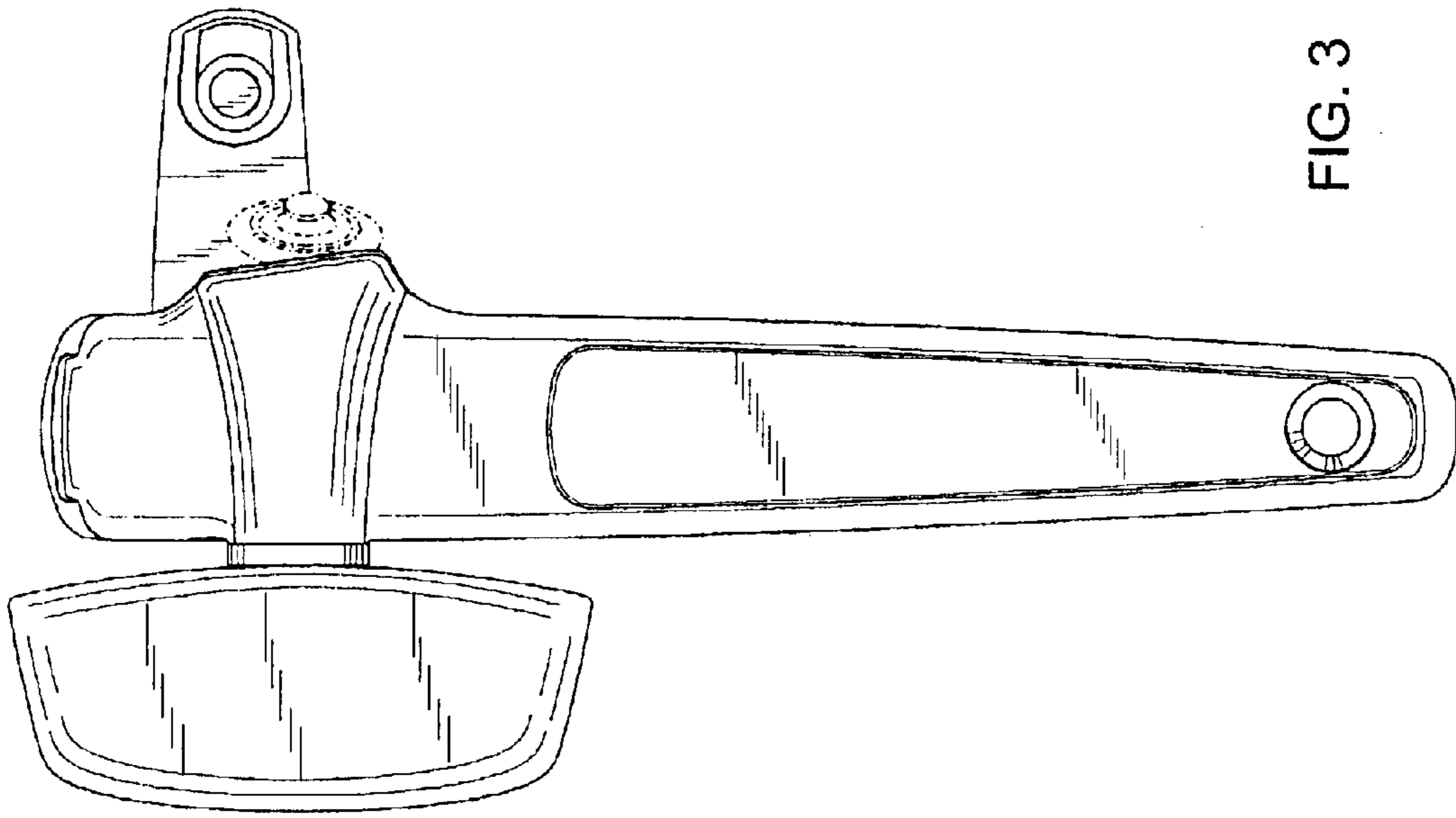


FIG. 3

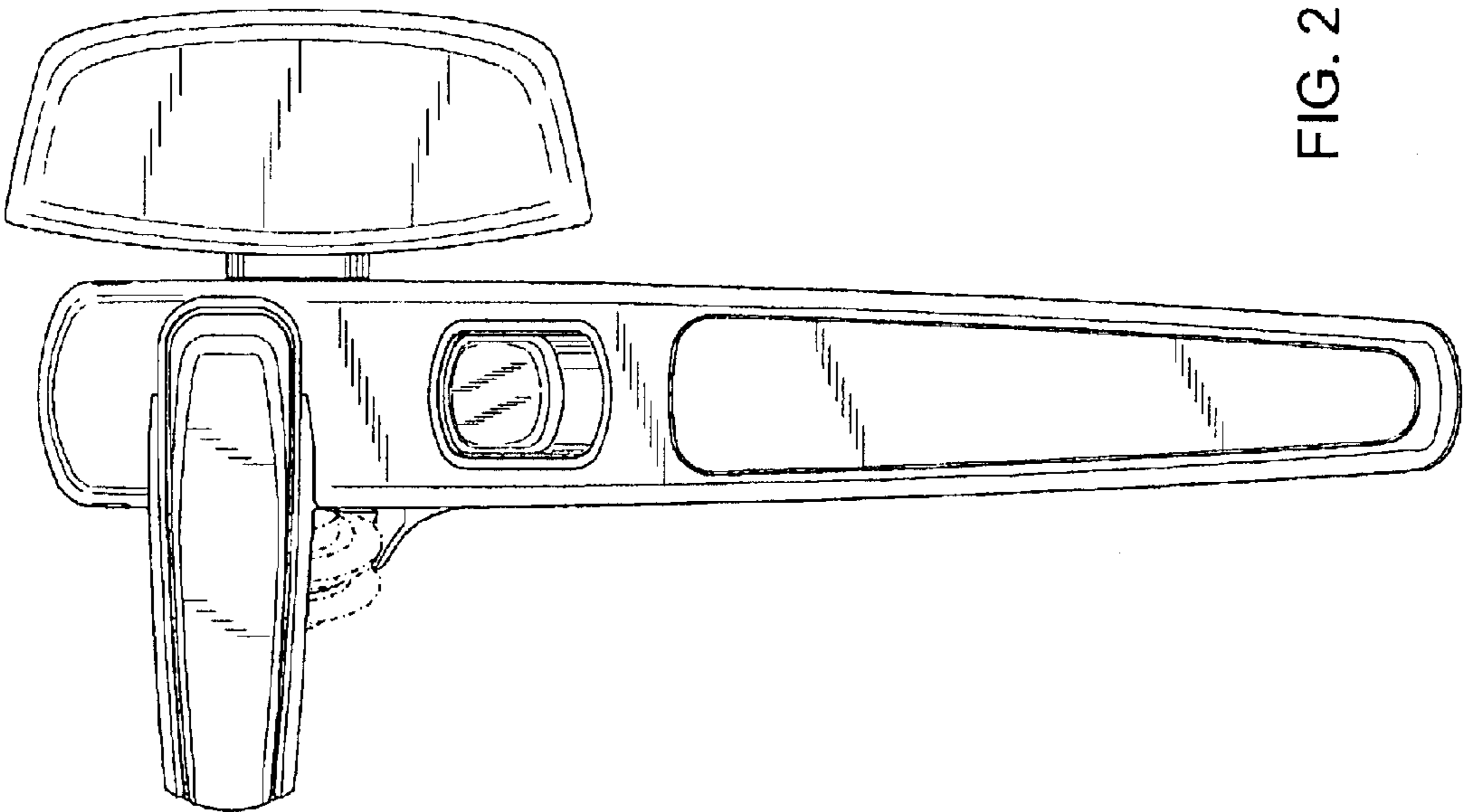
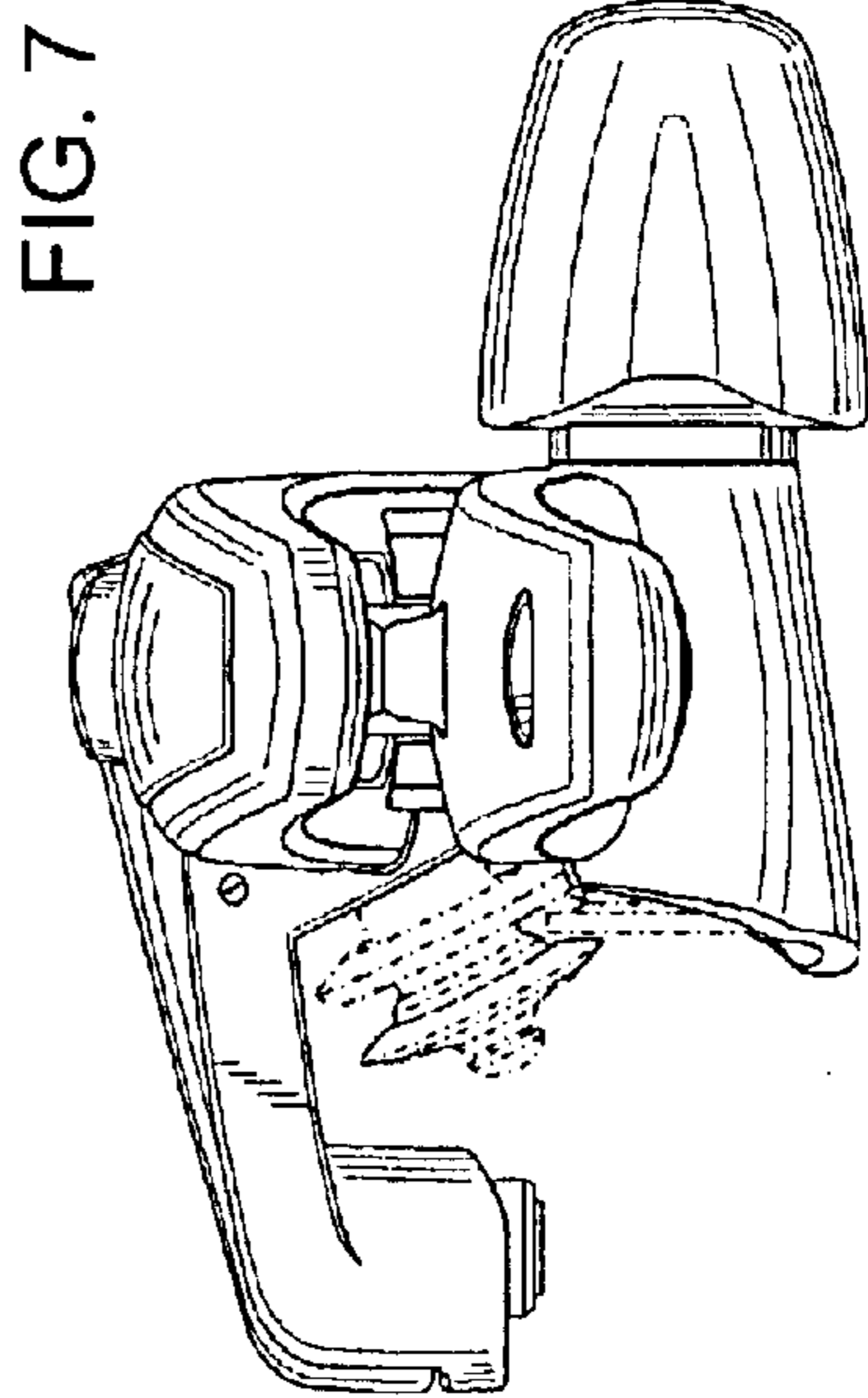
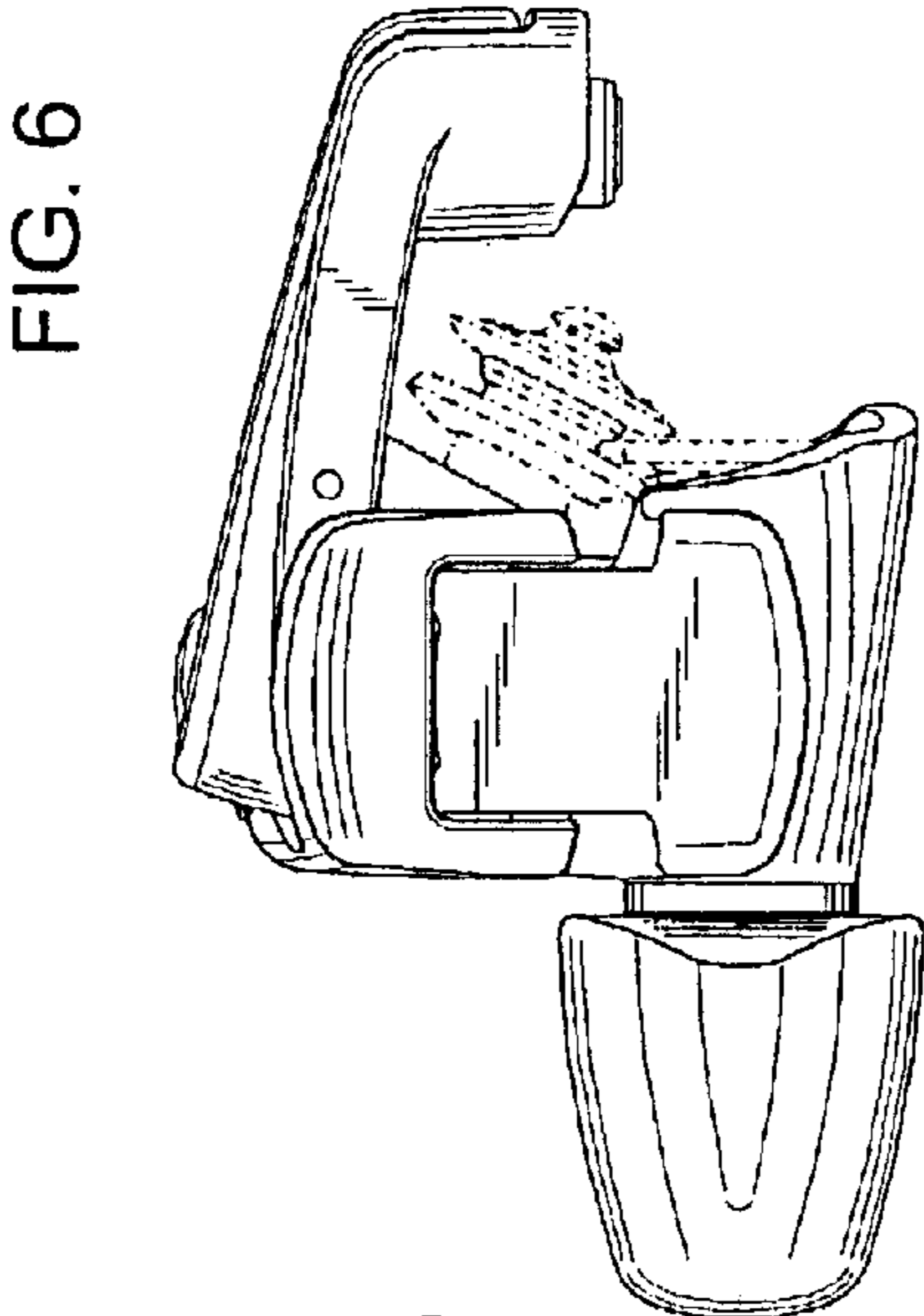
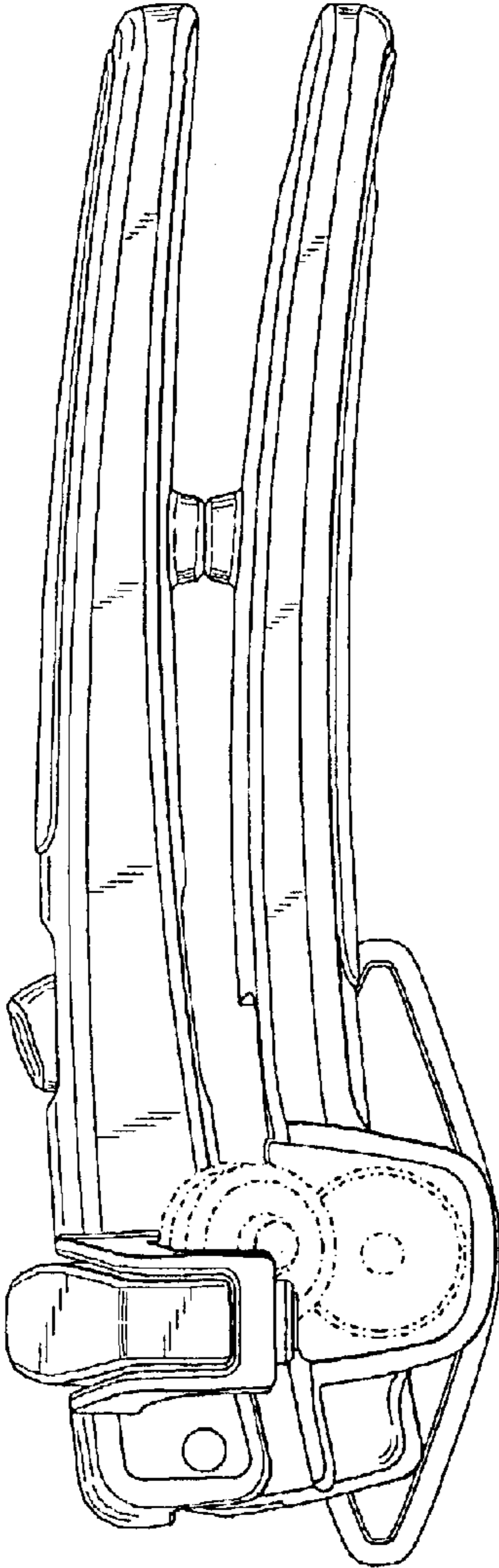
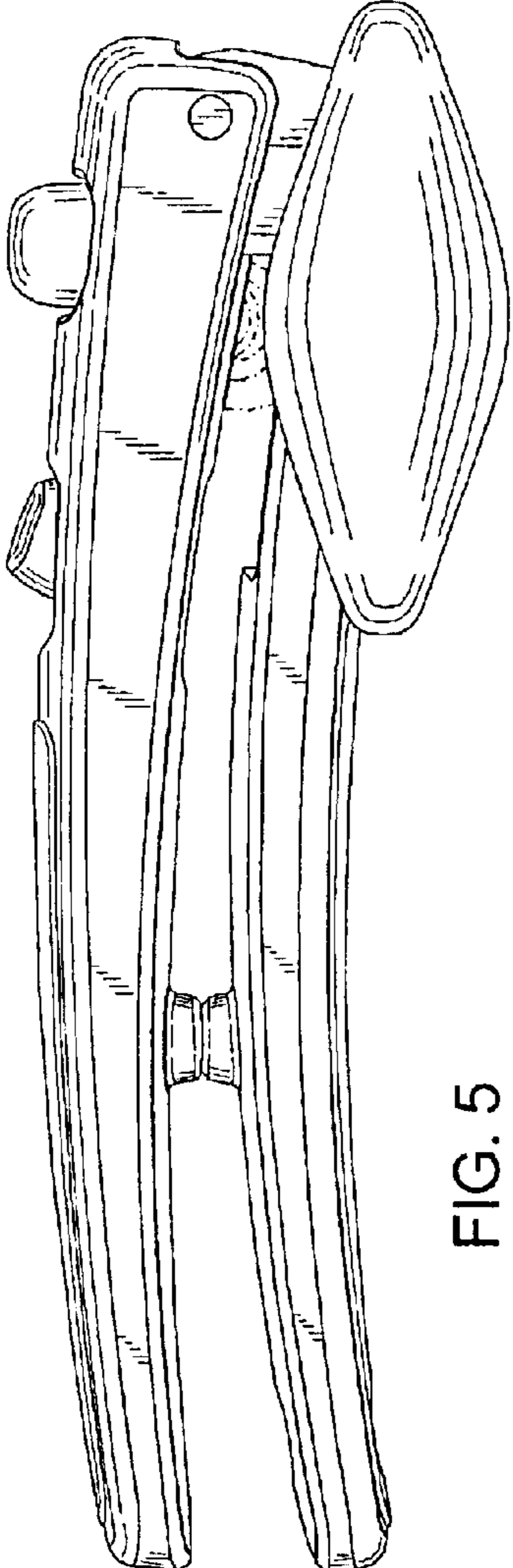


FIG. 2



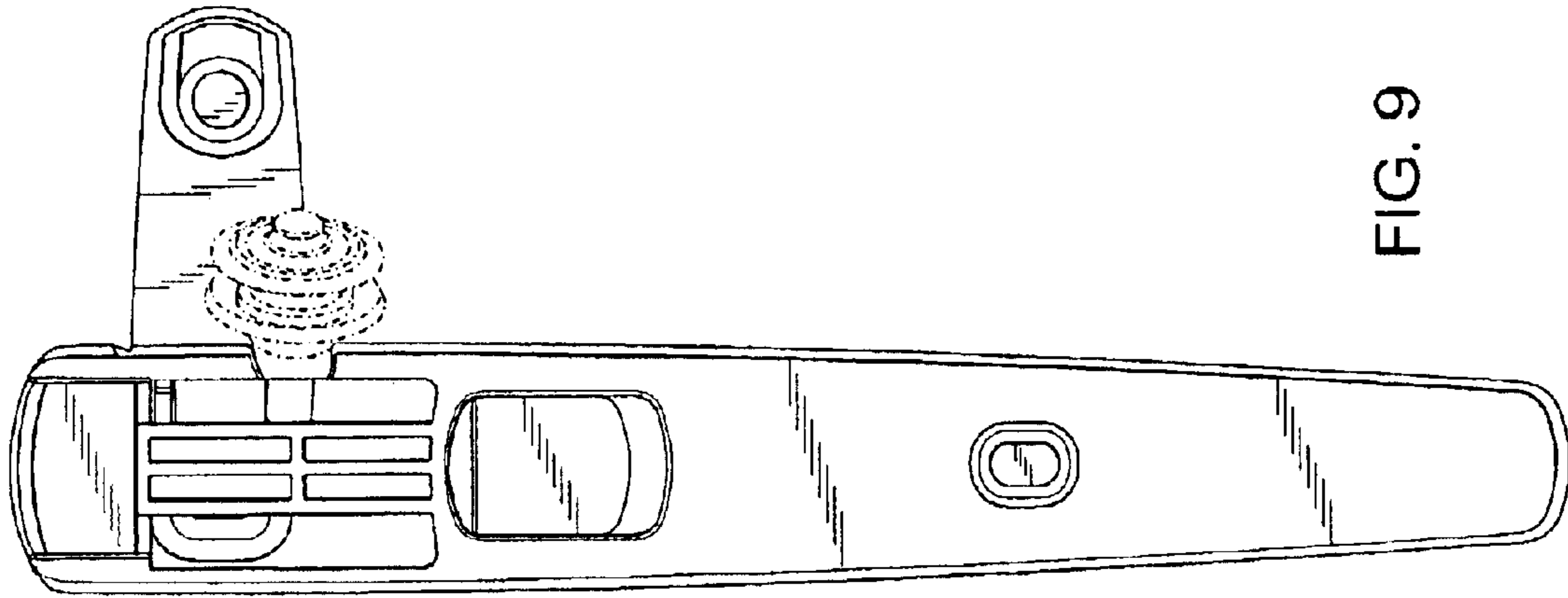


FIG. 9

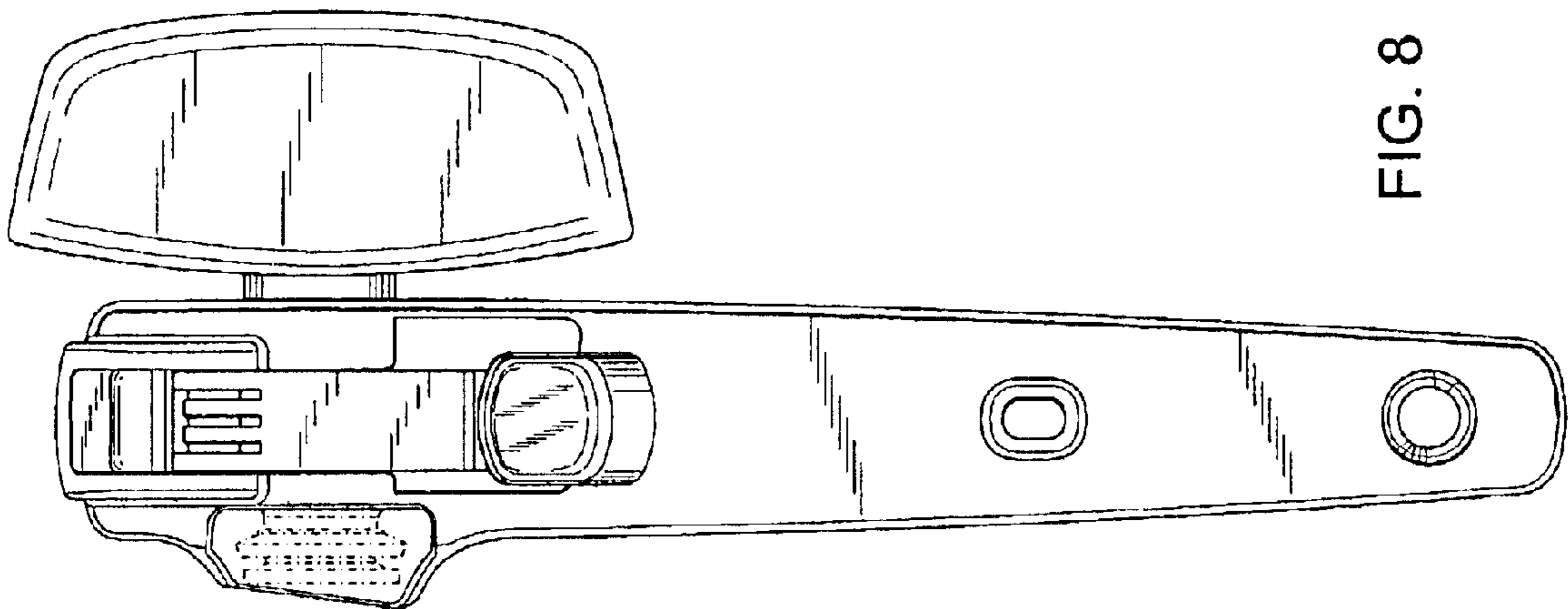


FIG. 8