

US00D501764S

(12) **United States Design Patent**
Lerner

(10) **Patent No.: US D501,764 S**

(45) **Date of Patent: ** Feb. 15, 2005**

(54) **SQUARE FOOD STORAGE CONTAINER WITH REMOVABLE THERMAL PRESERVATION INSERT**

D271,555 S * 11/1983 Daenen et al. D7/603
4,412,630 A * 11/1983 Daenen 220/792
D279,251 S * 6/1985 Daenen et al. D7/629
D308,942 S * 7/1990 Thundercliffe D9/425
D366,989 S * 2/1996 Zimmerman D7/629

(76) **Inventor: William S. Lerner**, 215 E. 68th St., Apt. 23A, New York, NY (US) 10021-5729

* cited by examiner

(**) **Term: 14 Years**

Primary Examiner—Terry A. Wallace

(74) *Attorney, Agent, or Firm*—Steven Horowitz

(21) **Appl. No.: 29/190,975**

(57) **CLAIM**

(22) **Filed: Sep. 29, 2003**

The ornamental design for a square food storage container with removable thermal preservation insert, as shown and described.

(51) **LOC (7) Cl. 07-01**

(52) **U.S. Cl. D7/629**

(58) **Field of Search** D7/603, 605, 629, D7/602, 538-542; D9/424-432; 220/675, 780-783, 792-805; 62/457.1-457.9, 3.62

DESCRIPTION

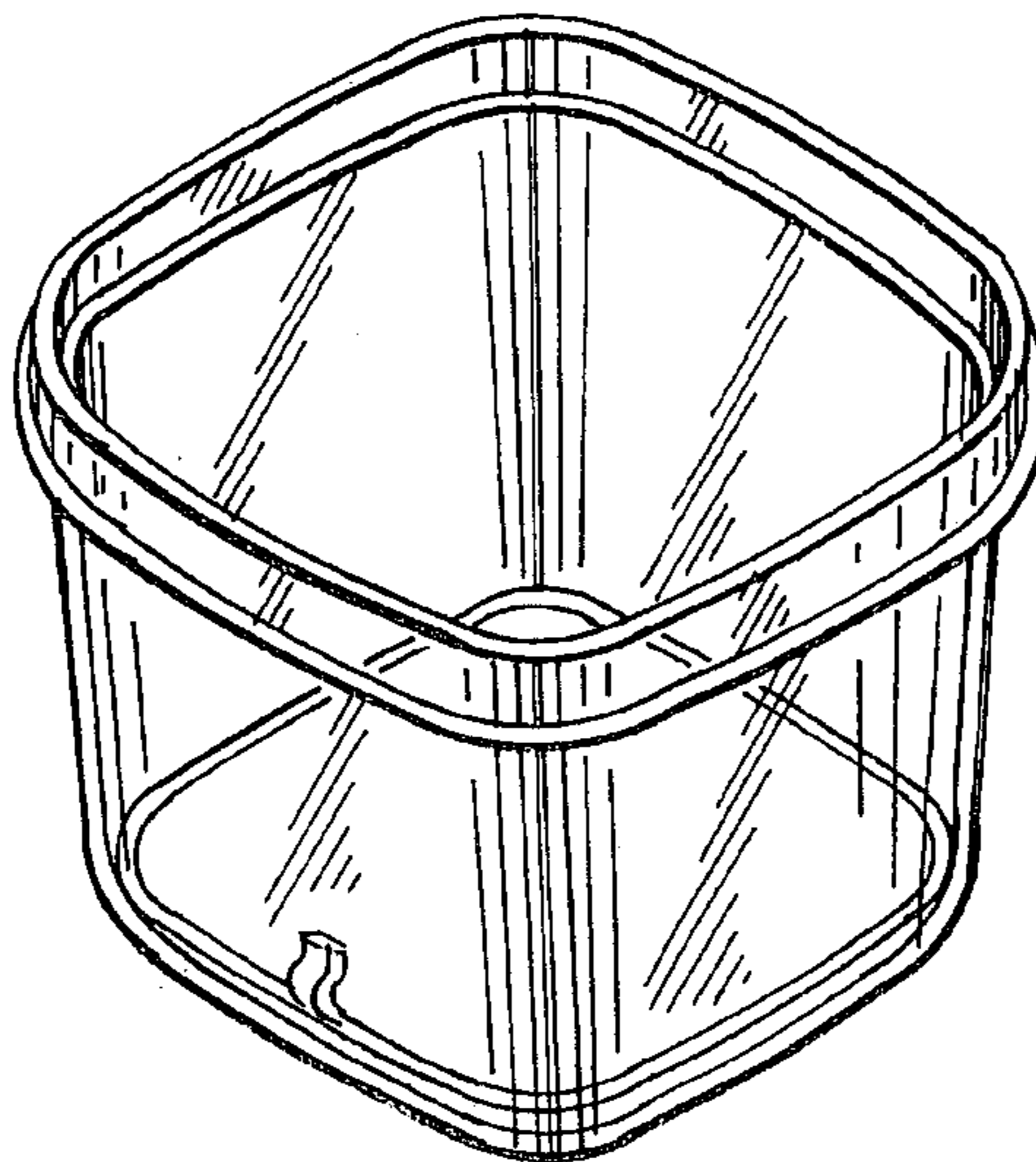
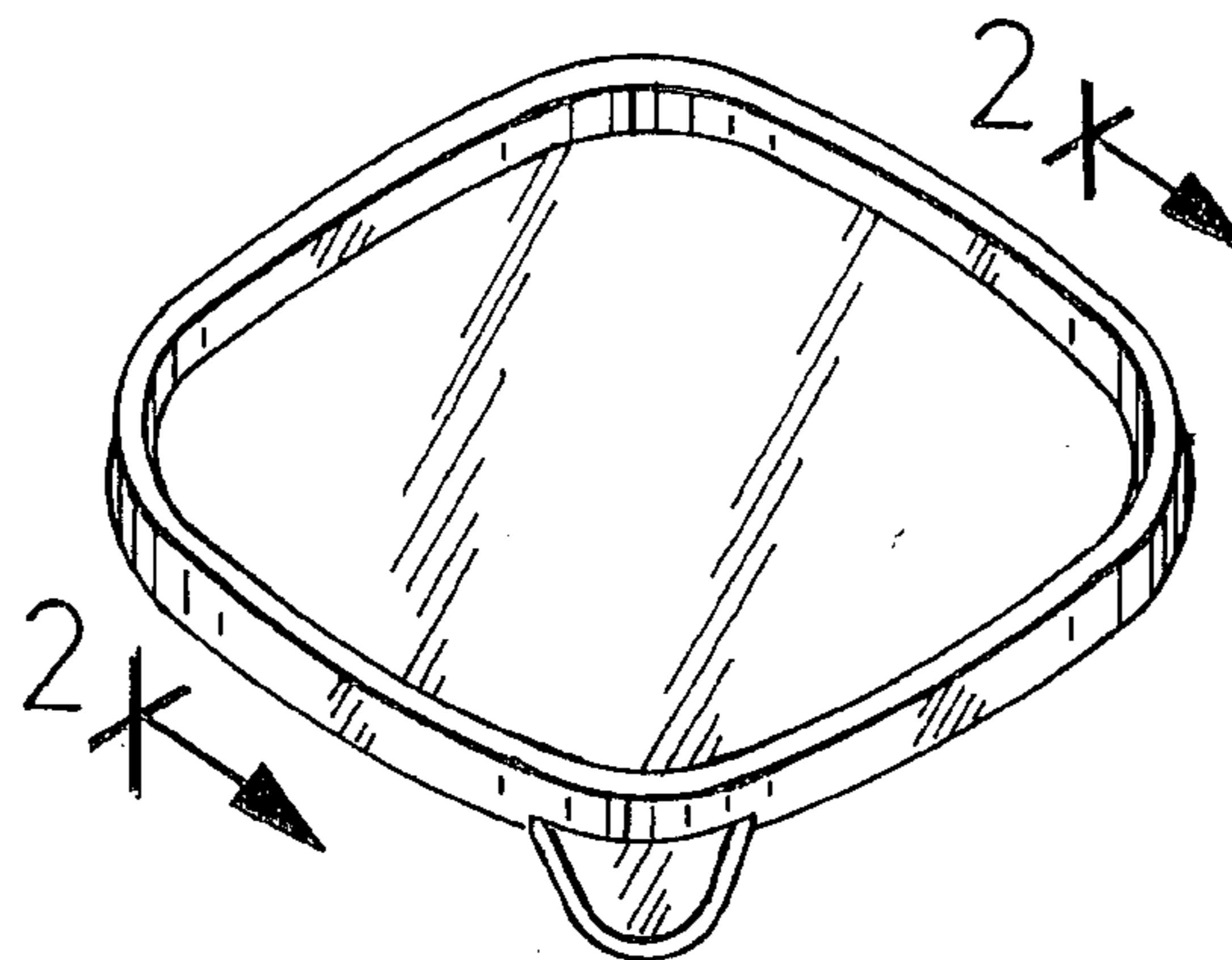
FIG. 1 is an exploded isometric view of the square food storage container with removable thermal preservation insert showing my new design; and, FIG. 2 is a cross-section of an assembled view taken along line 2-2 of FIG. 1.

(56) **References Cited**

U.S. PATENT DOCUMENTS

2,752,970 A * 7/1956 Tupper 220/802

1 Claim, 2 Drawing Sheets



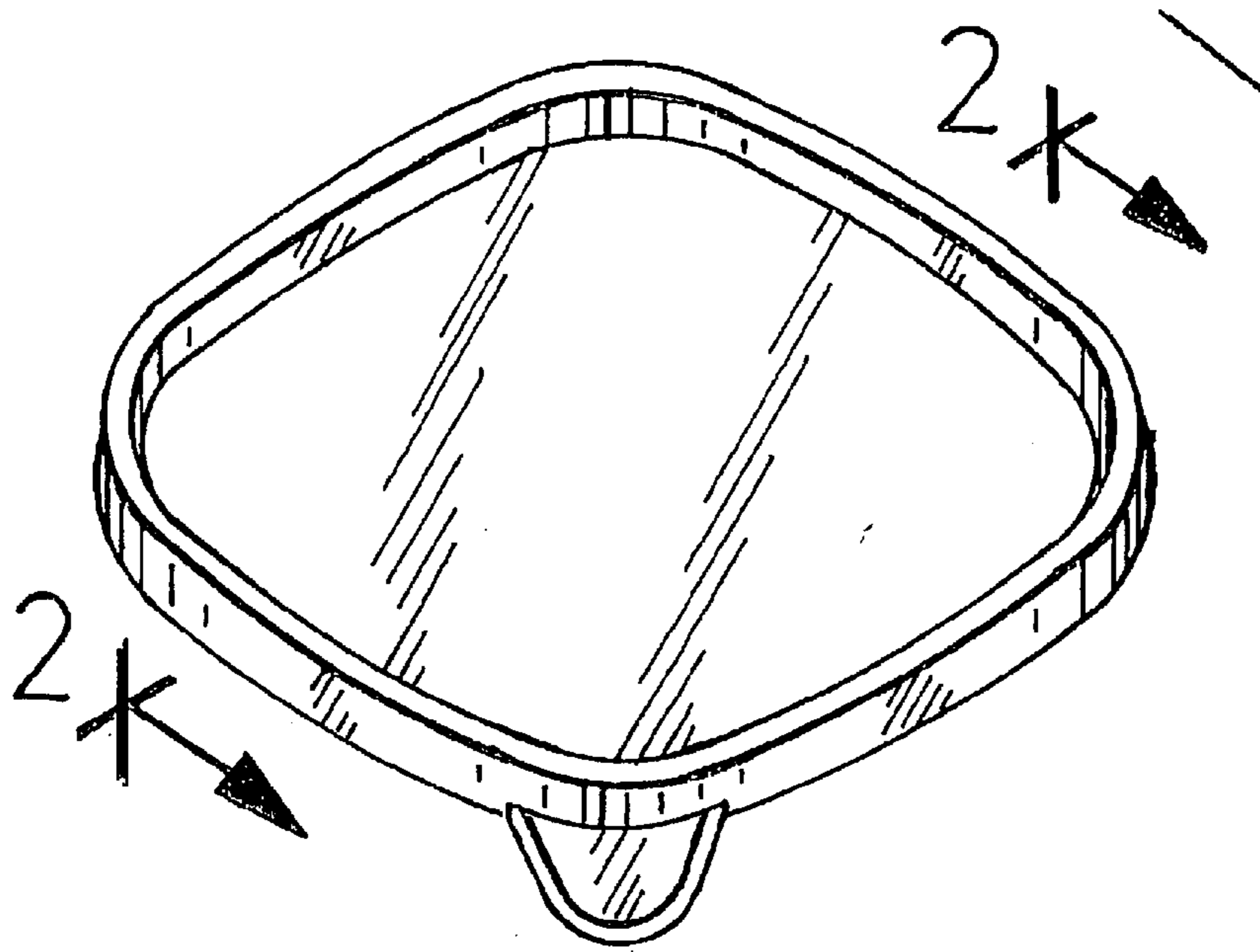


FIG. 1

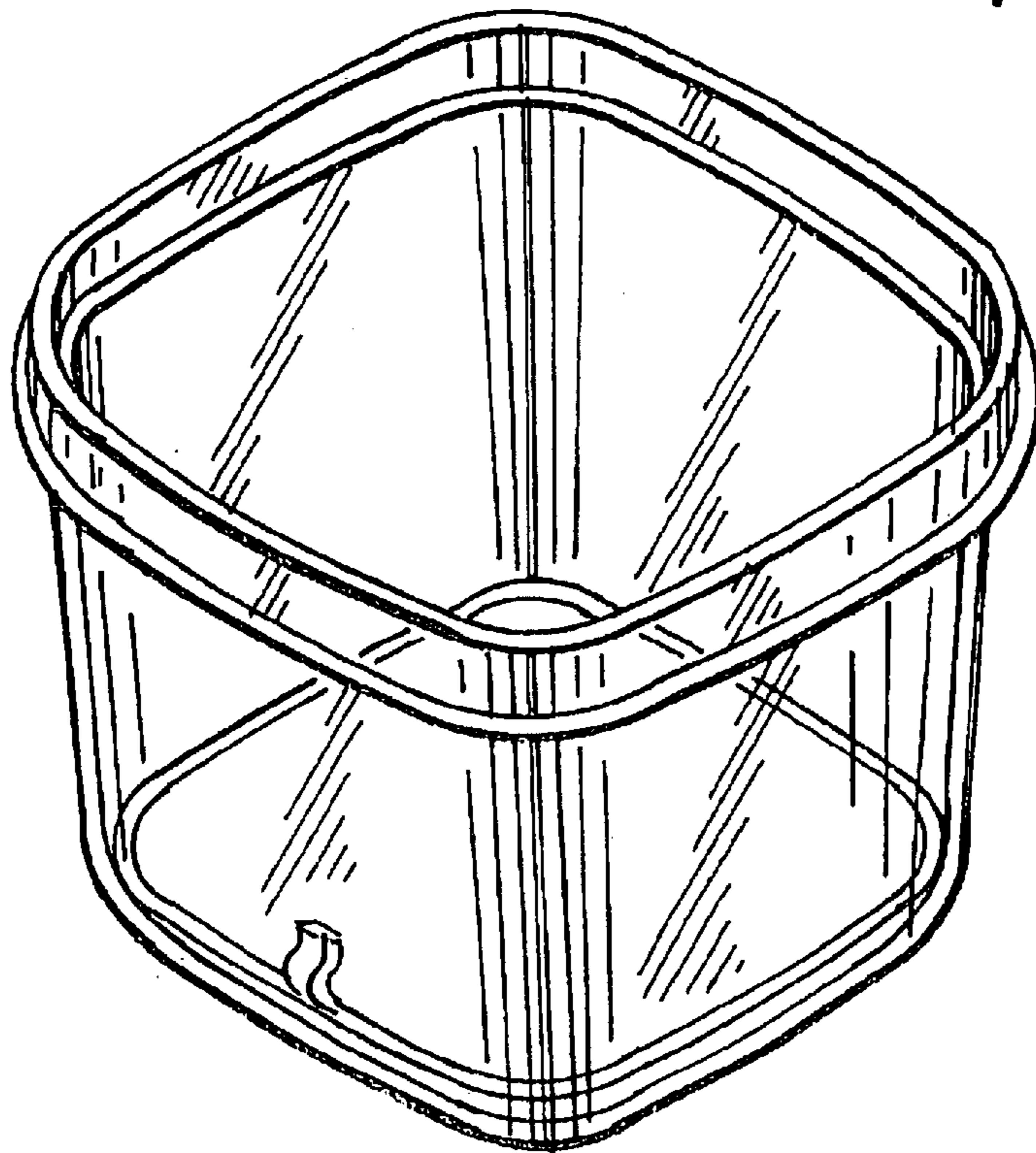


FIG. 2

