



US00D501755S

(12) **United States Design Patent**
Namur

(10) **Patent No.:** **US D501,755 S**
(45) **Date of Patent:** **** Feb. 15, 2005**

(54) **DATE MEMORIZER FOR FILTER OR
FILTER LID**

(75) Inventor: **Marc Namur**, Darmstadt (DE)

(73) Assignee: **Brita GmbH**, Taunusstein (DE)

(**) Term: **14 Years**

(21) Appl. No.: **29/173,891**

(22) Filed: **Jan. 8, 2003**

(30) **Foreign Application Priority Data**

Jul. 10, 2002 (WO) WO 216018201

(51) **LOC (7) Cl.** **07-99**

(52) **U.S. Cl.** **D7/397; D7/392**

(58) **Field of Search** D7/387, 397, 391,
D7/392, 392.1, 300, 213; 210/85; 222/183,
640, 643, 556, 189.06; 116/297, 298; D23/206;
D10/46.2

(56) **References Cited**

U.S. PATENT DOCUMENTS

5,190,643	A	*	3/1993	Duncan et al.	210/85
D419,369	S	*	1/2000	Naft et al.	D7/391
6,109,487	A	*	8/2000	Hashimoto	222/556
D446,419	S	*	8/2001	Ming-Shiue	D7/392.1
D458,508	S	*	6/2002	Thonis et al.	D7/392.1
D459,630	S	*	7/2002	Arduini	D7/391
D465,969	S	*	11/2002	Morin	D7/392.1
D475,239	S	*	6/2003	Claypool	D7/392.1

* cited by examiner

Primary Examiner—M. N. Pandozzi

(74) *Attorney, Agent, or Firm*—Hudak, Shunk & Farine Co.
LPA

(57) **CLAIM**

I claim the ornamental design for a date memorizer for filter or filter lid, as shown.

DESCRIPTION

FIG. 1 is a front perspective view of a date memorizer for filter or filter lid;

FIG. 2 is a top plan view thereof;

FIG. 3 is a front perspective view showing a second embodiment of my new design;

FIG. 4 is a top plan view thereof;

FIG. 5 is a front view thereof;

FIG. 6 is a left side view thereof;

FIG. 7 is a rear view thereof;

FIG. 8 is a right side view thereof;

FIG. 9 is a bottom plan view thereof;

FIG. 10 is a left side front environmental perspective view of the first embodiment;

FIG. 11 is a right side front environmental perspective view thereof;

FIG. 12 is a right side rear environmental perspective view thereof;

FIG. 13 is a left side rear environmental perspective view thereof;

FIG. 14 is a left side front environmental perspective view of the second embodiment;

FIG. 15 is a right side front environmental perspective view thereof;

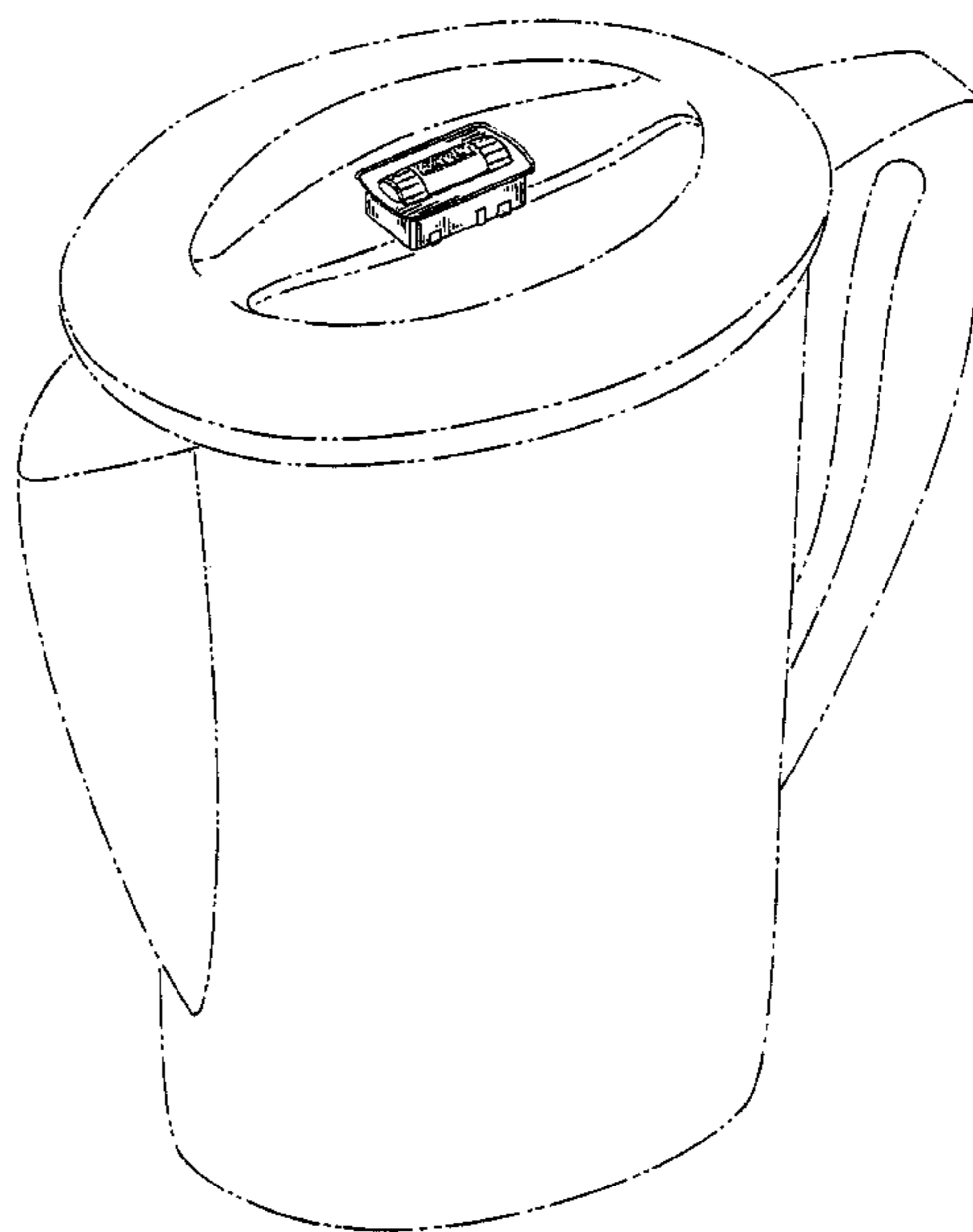
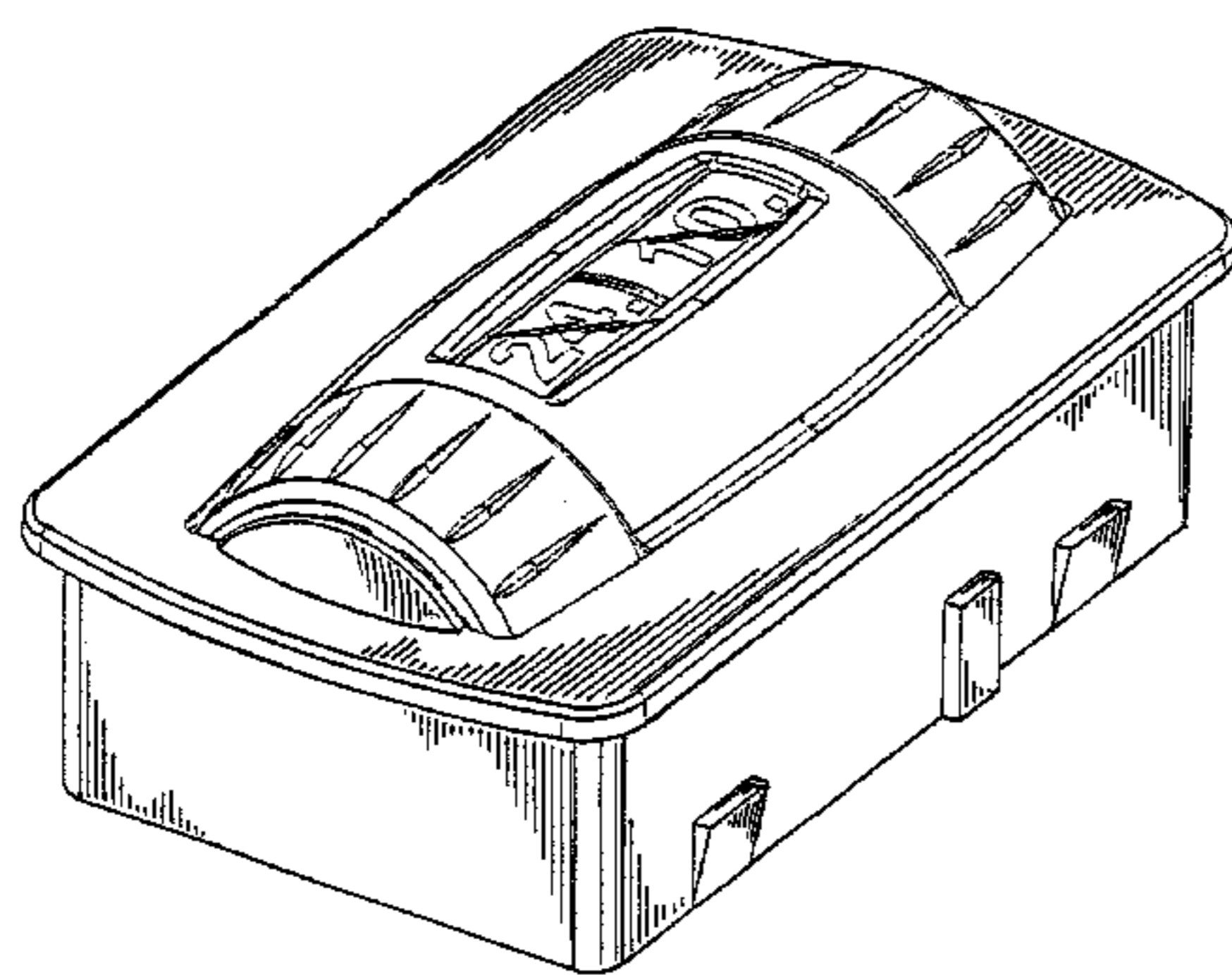
FIG. 16 is a right side rear environmental perspective view thereof;

FIG. 17 is a left side rear environmental perspective view thereof; and,

FIG. 18 is a front environmental perspective view of the first embodiment.

The broken lines in the drawings are for illustrative purposes only and forms no part of the claimed design.

1 Claim, 9 Drawing Sheets



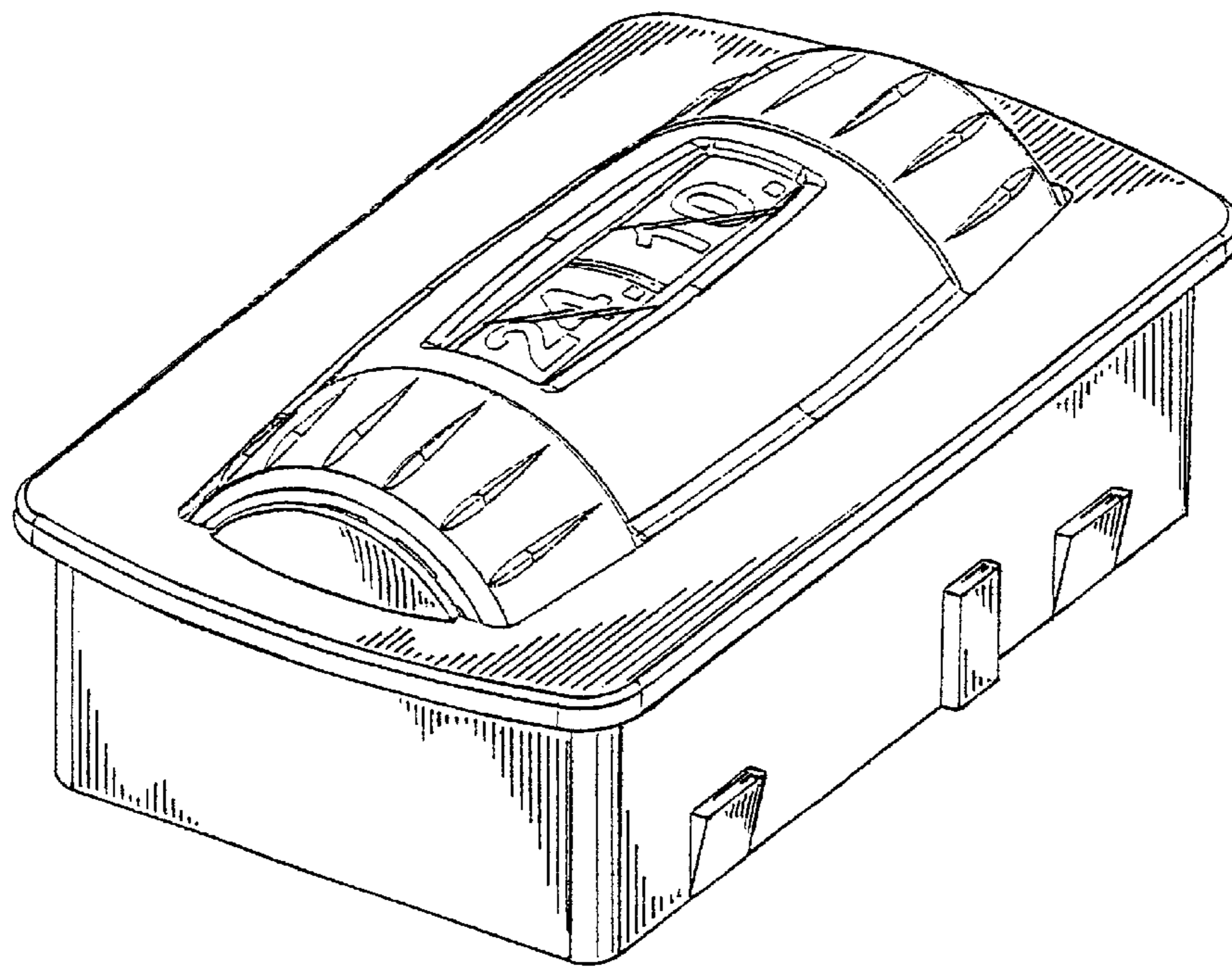


FIG. -1

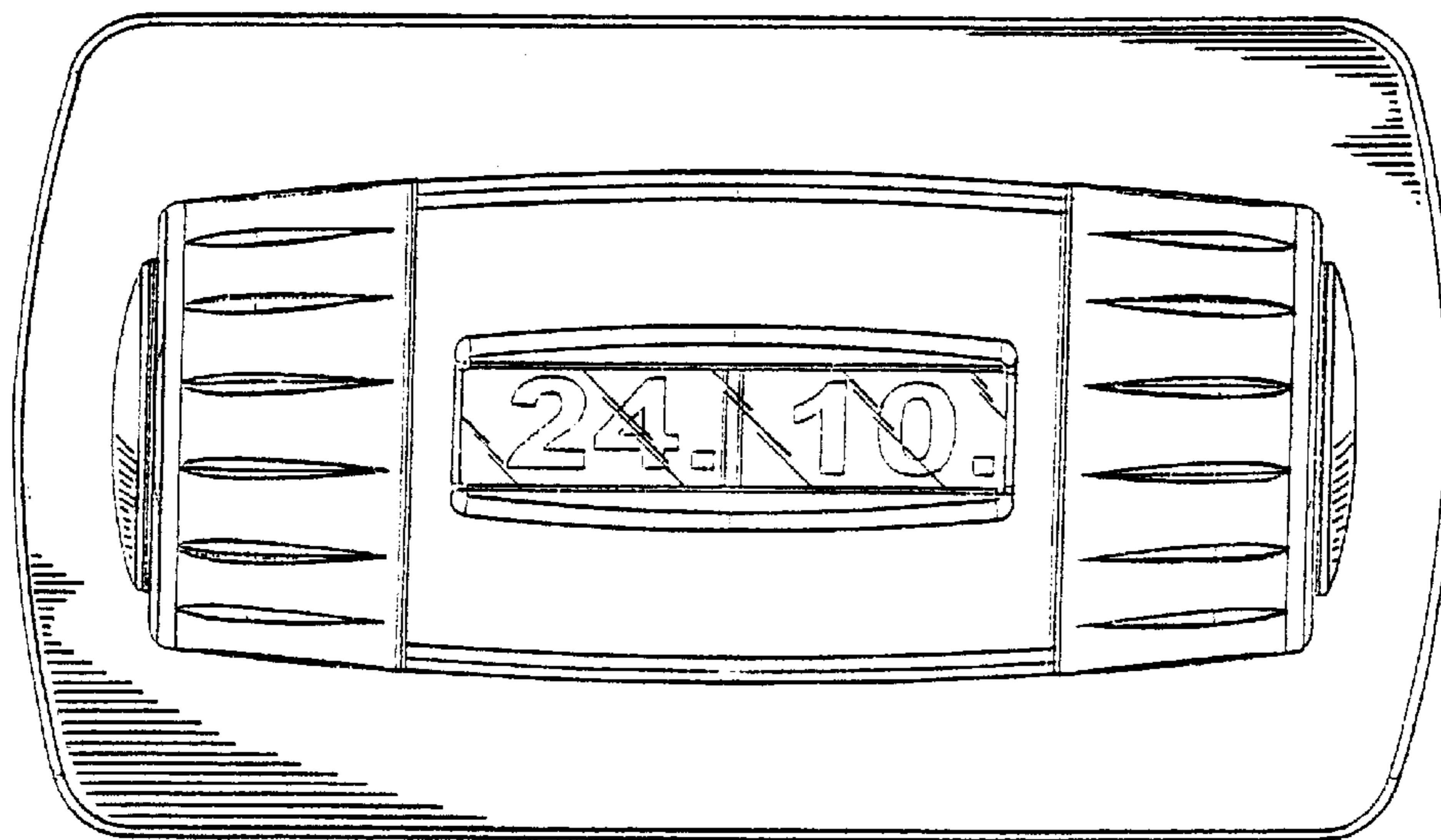


FIG. -2

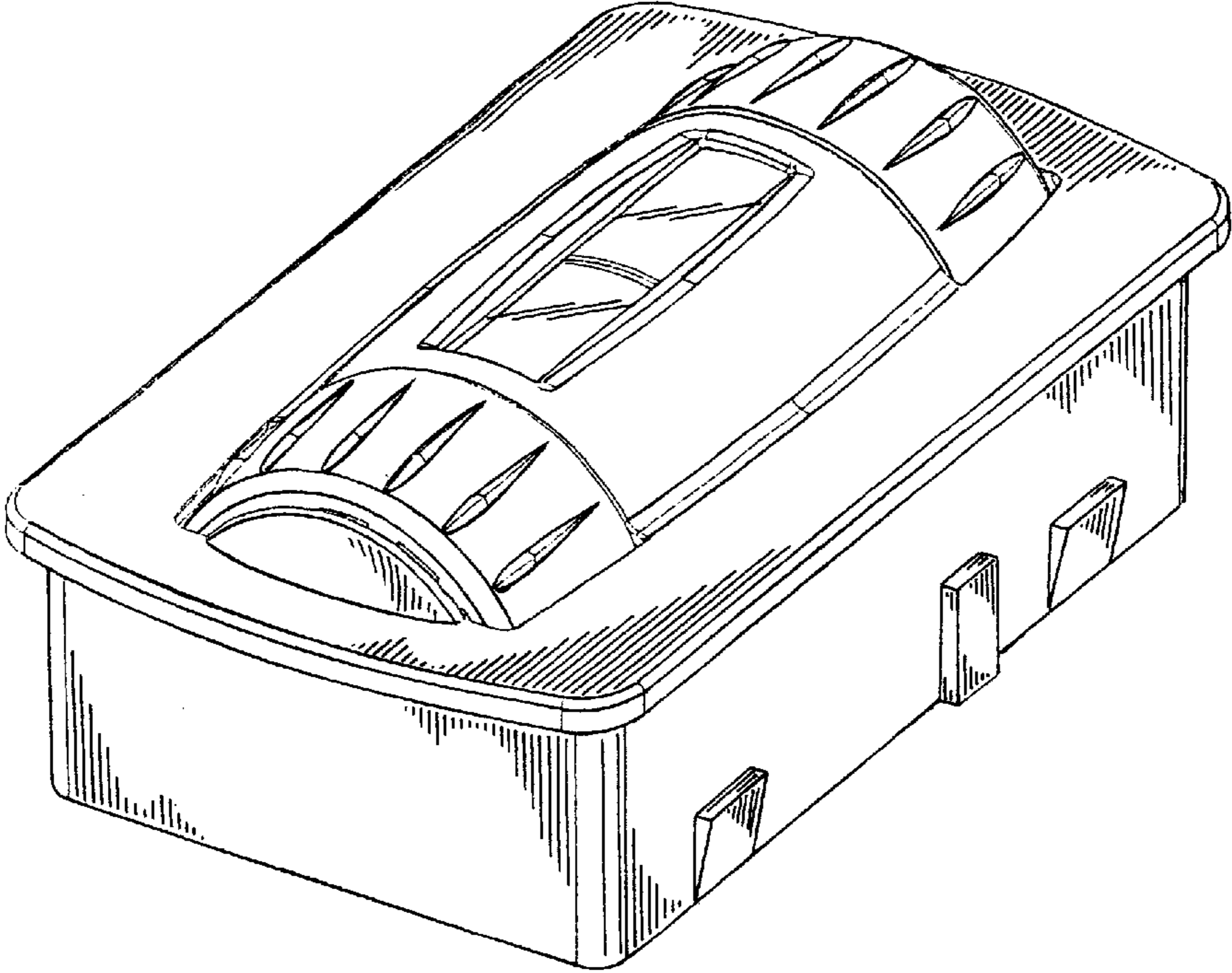


FIG. -3

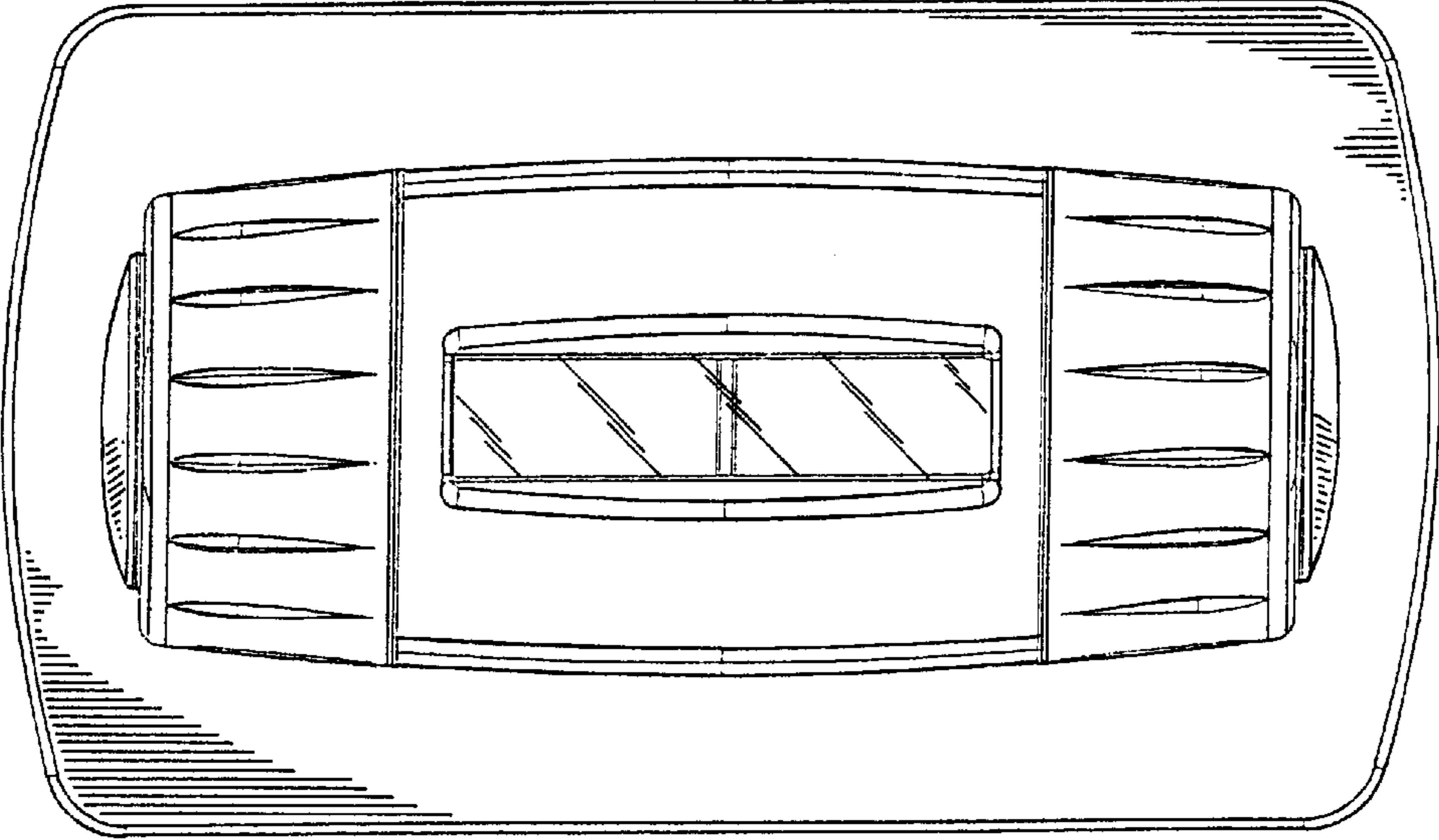


FIG. -4

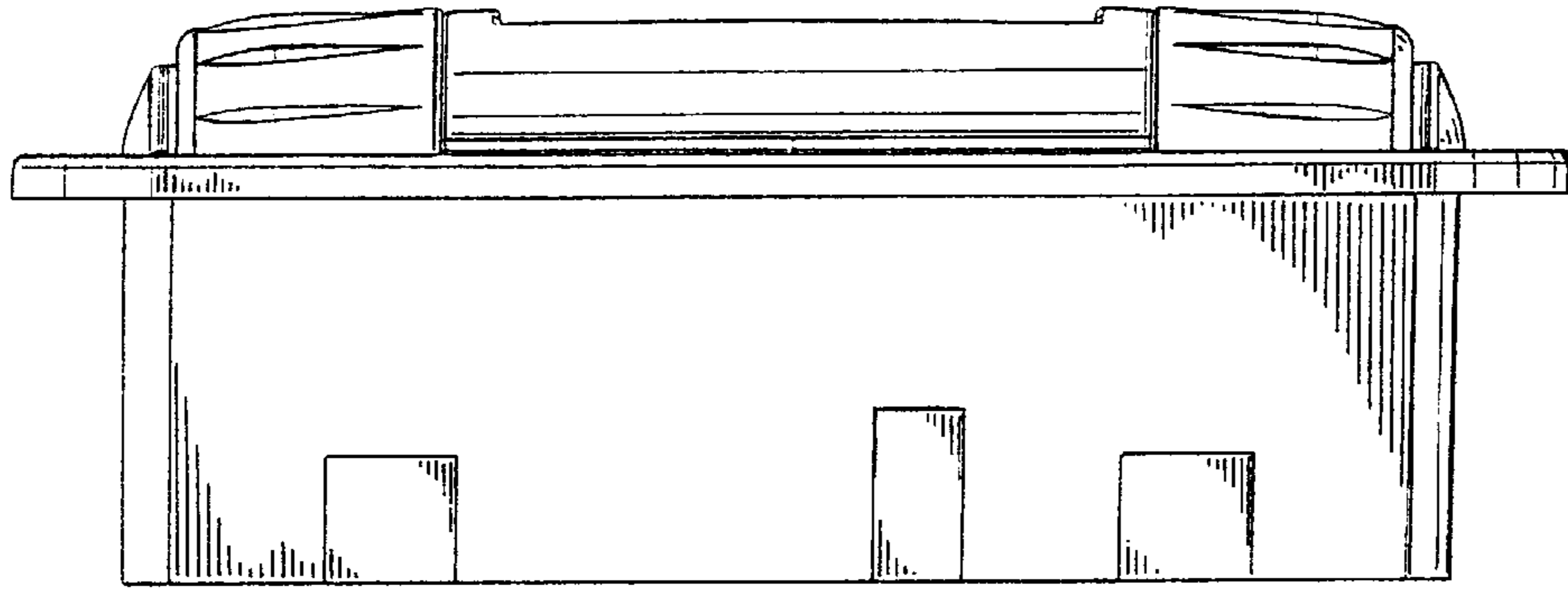


FIG.-5

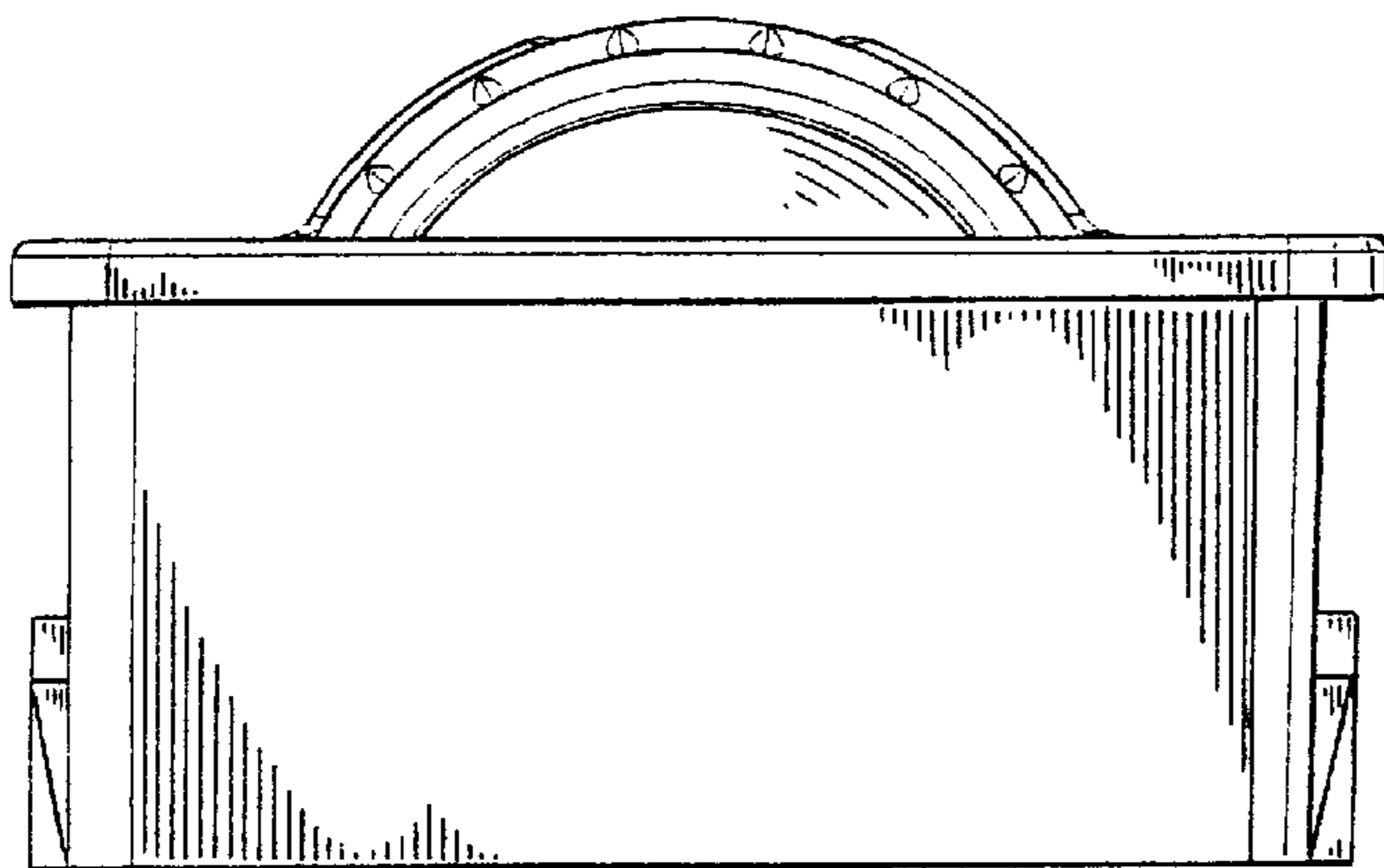


FIG.-6

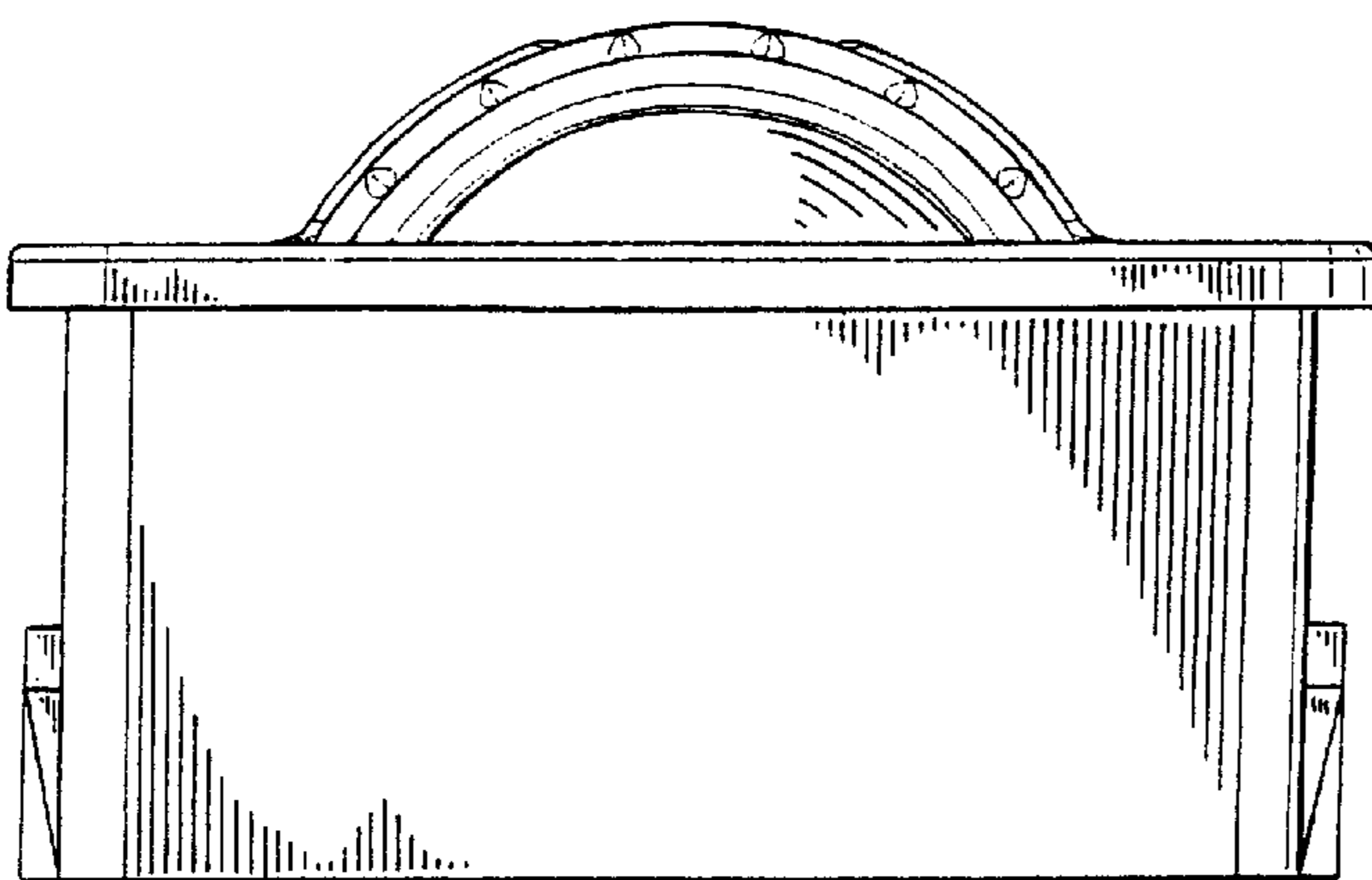


FIG.-8

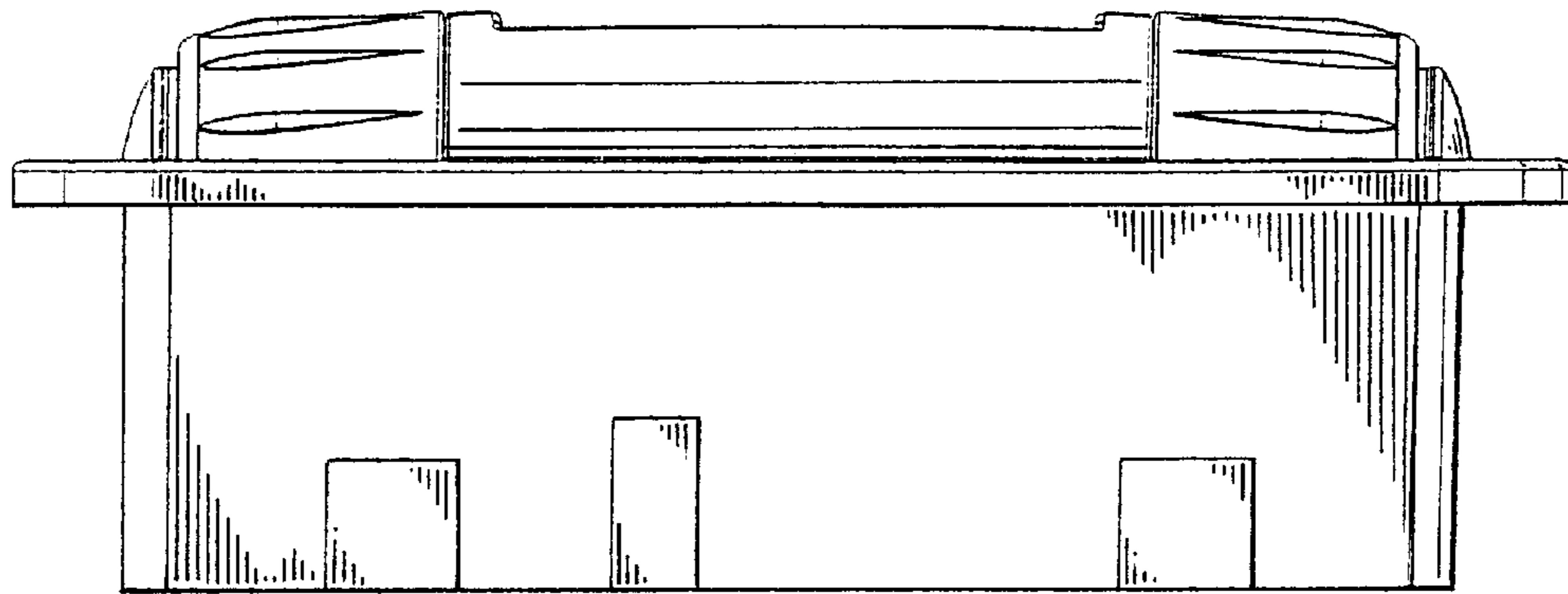


FIG.-7

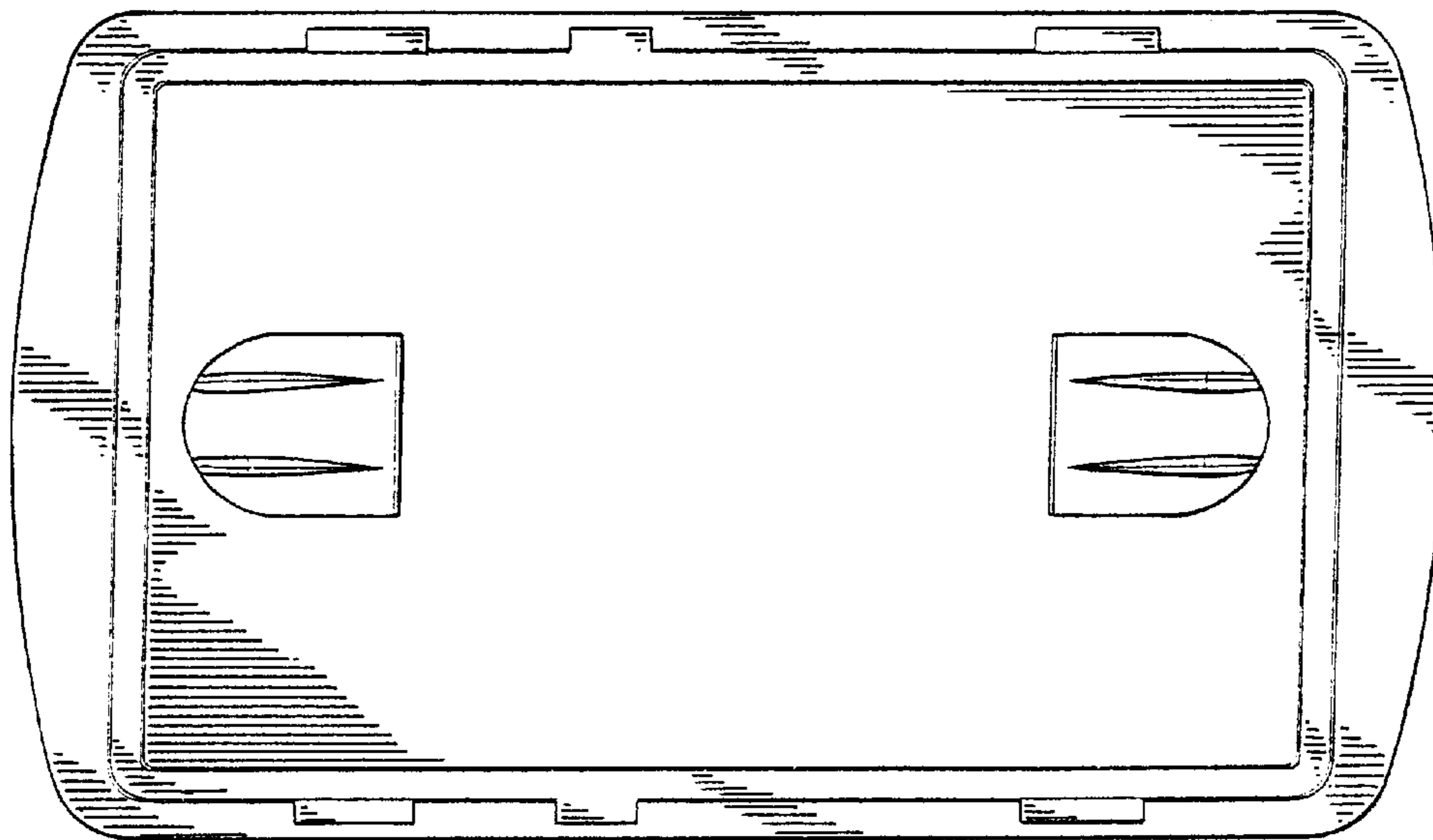


FIG.-9

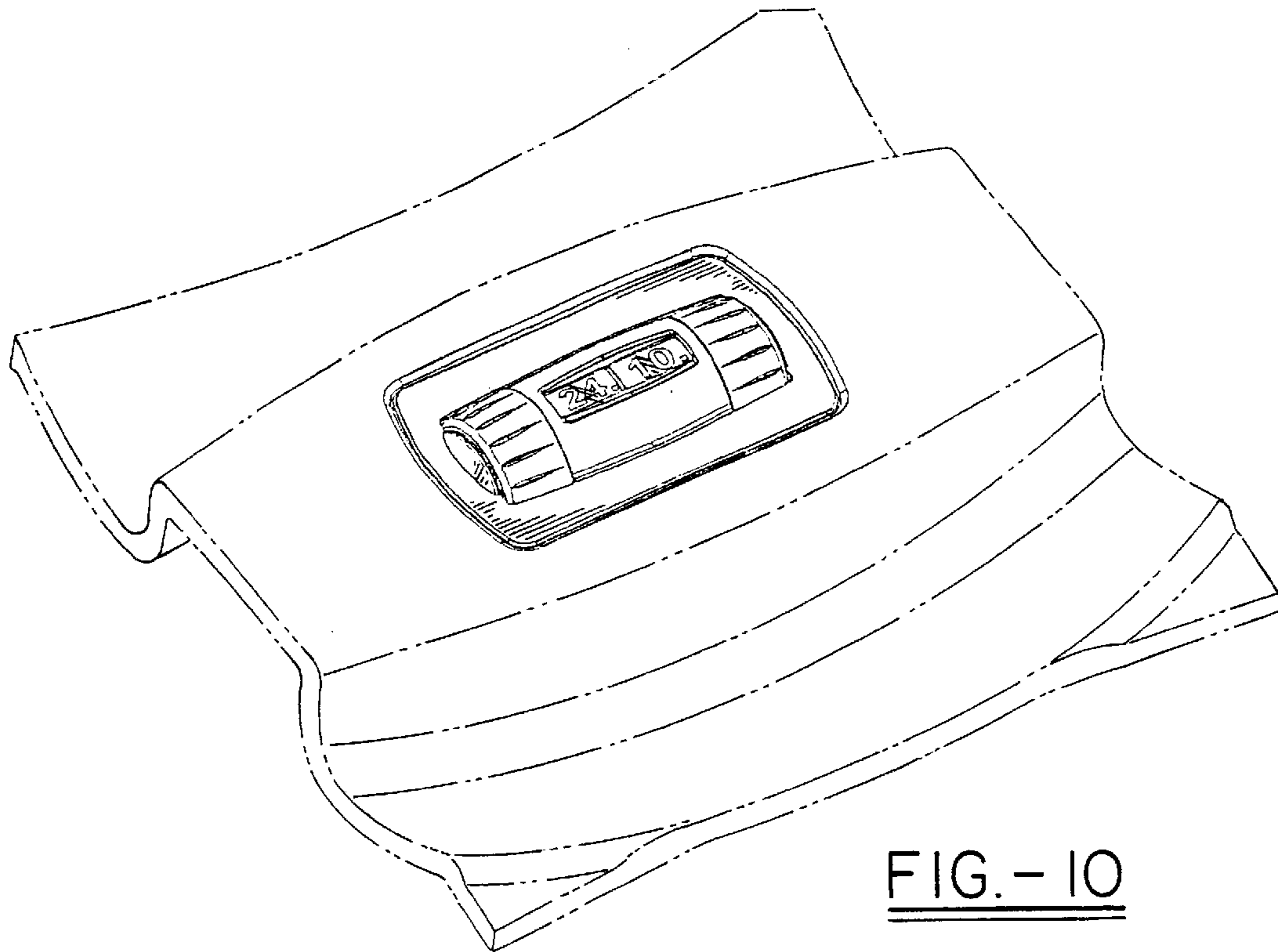


FIG. - 10

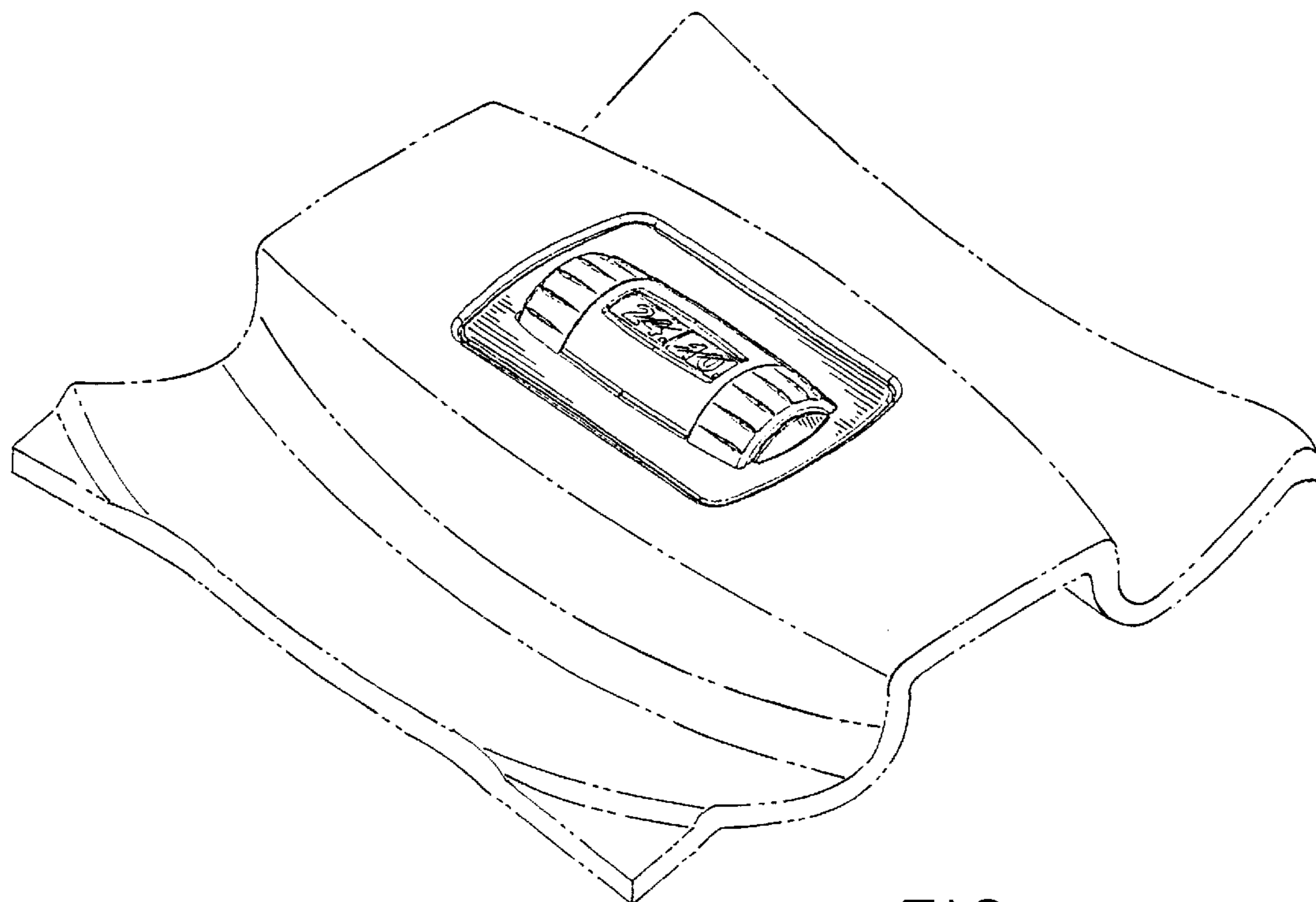


FIG. - 11

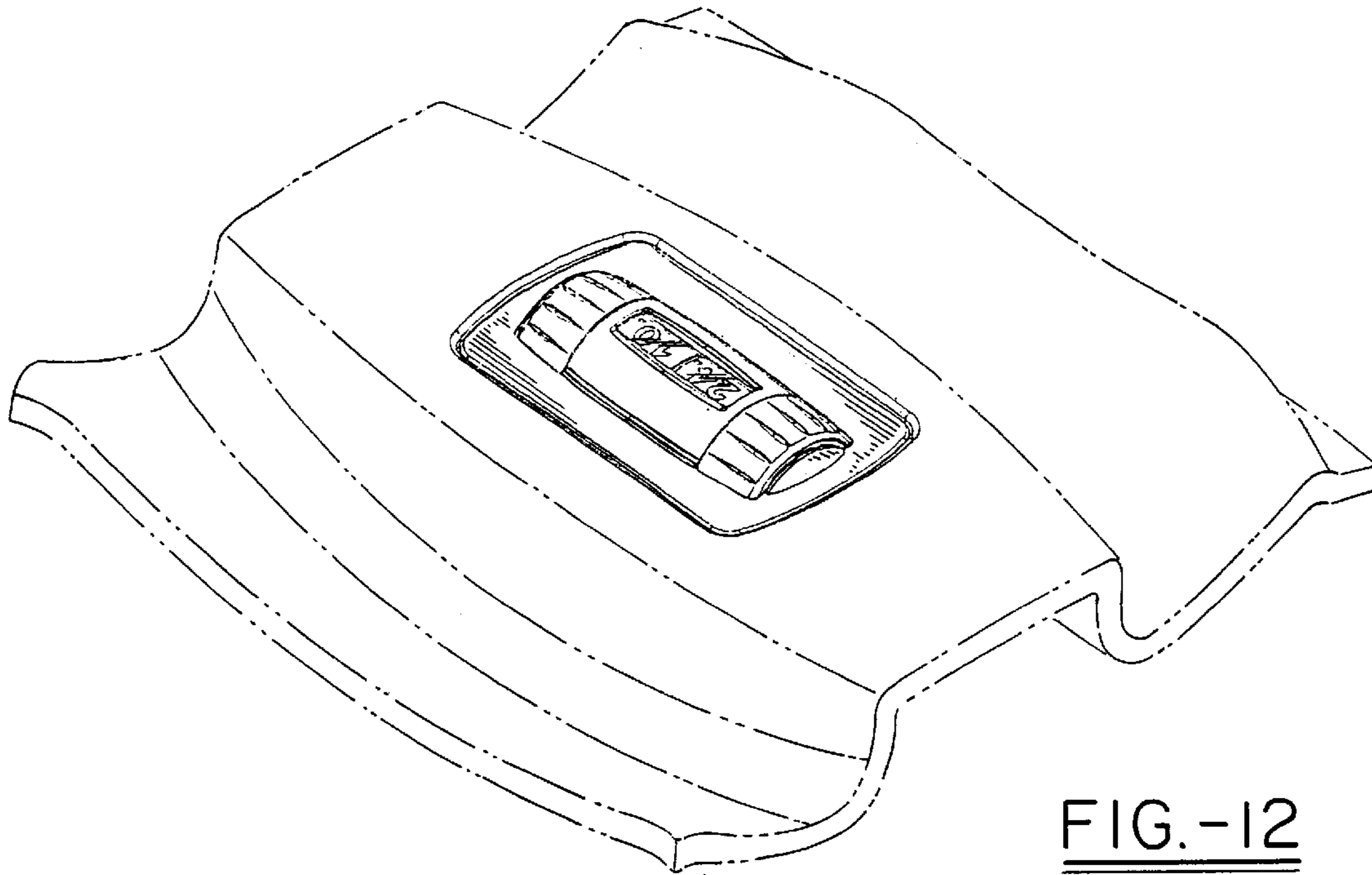


FIG.-12

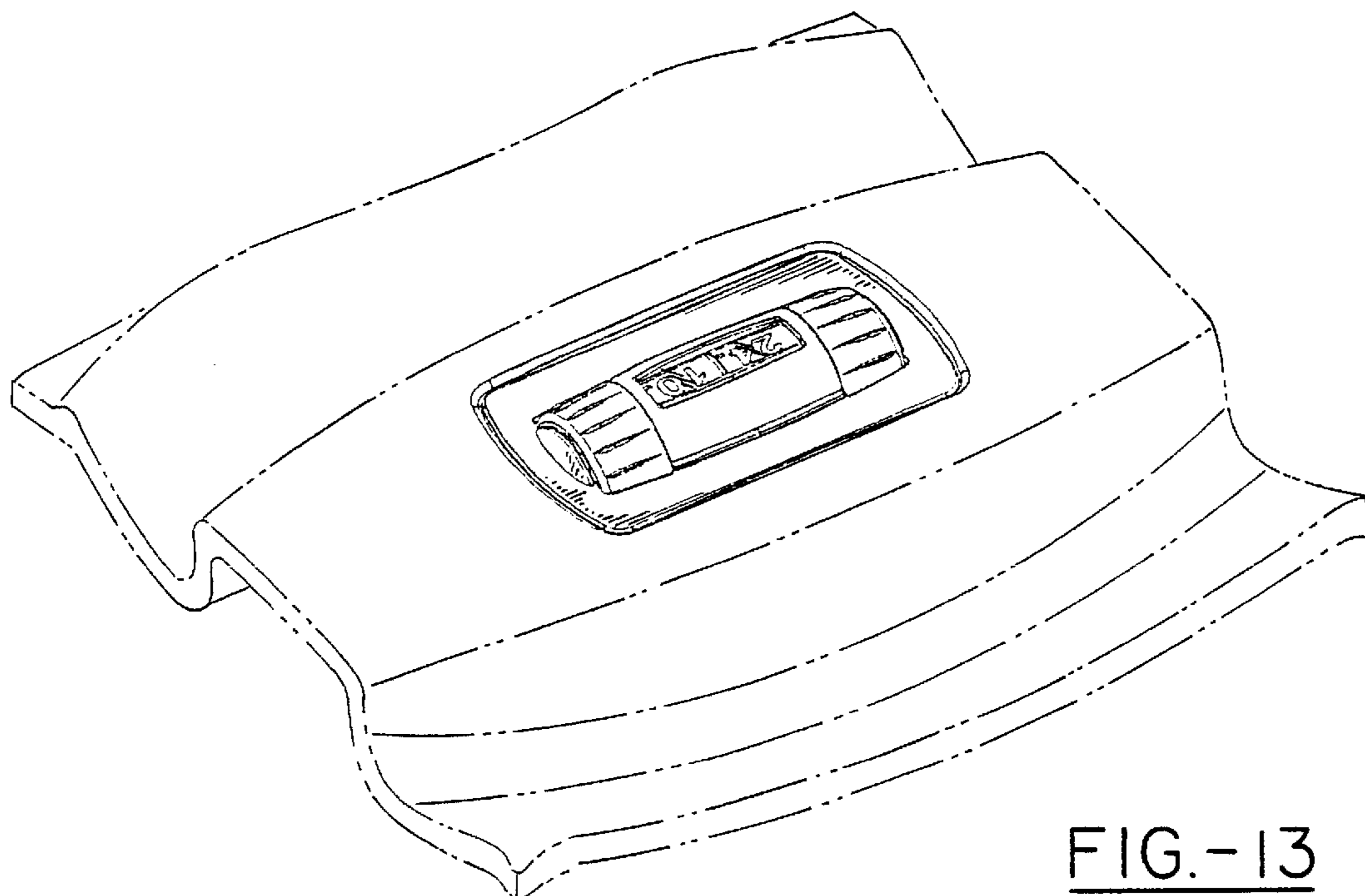


FIG.-13

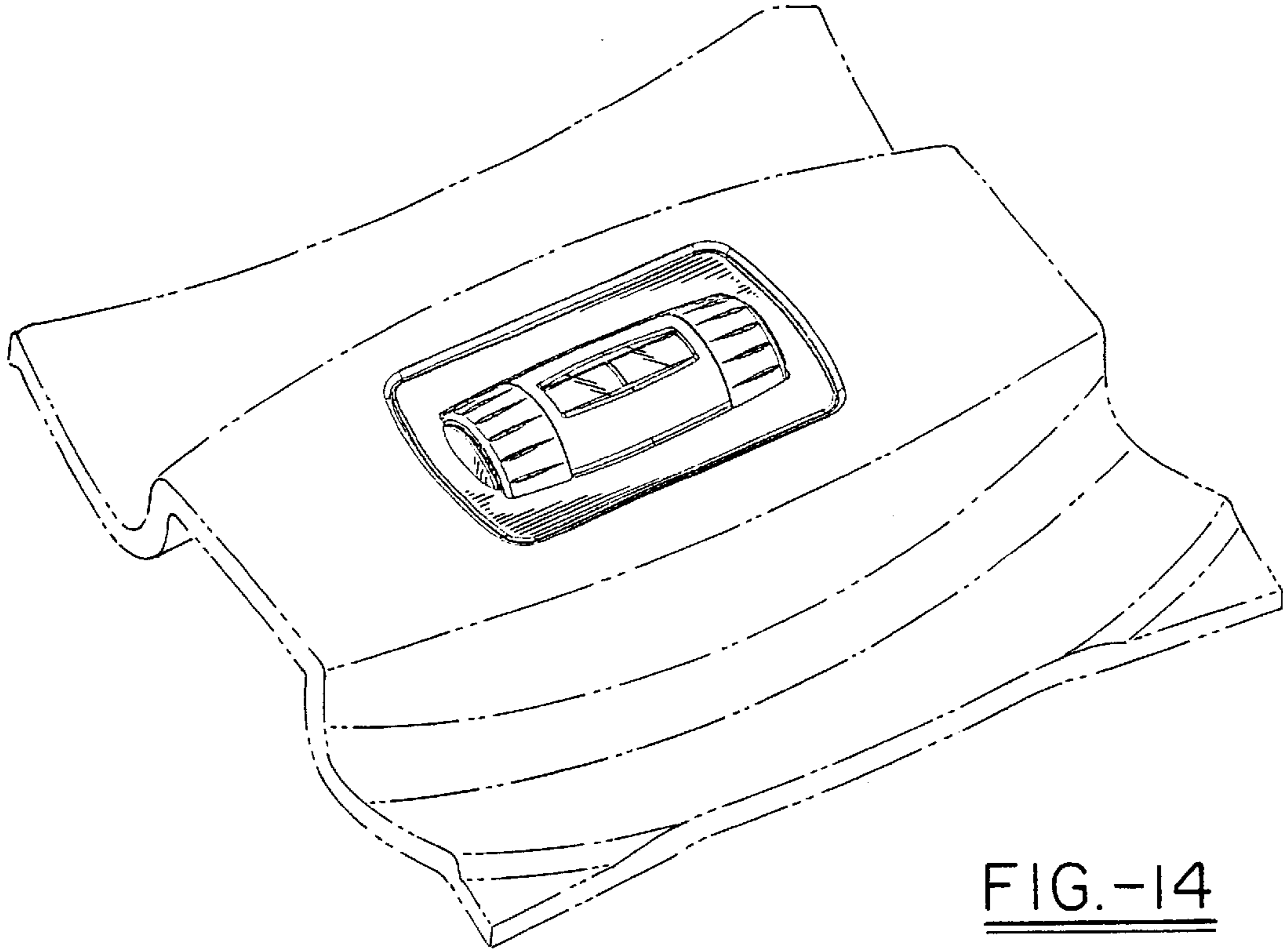


FIG.-14

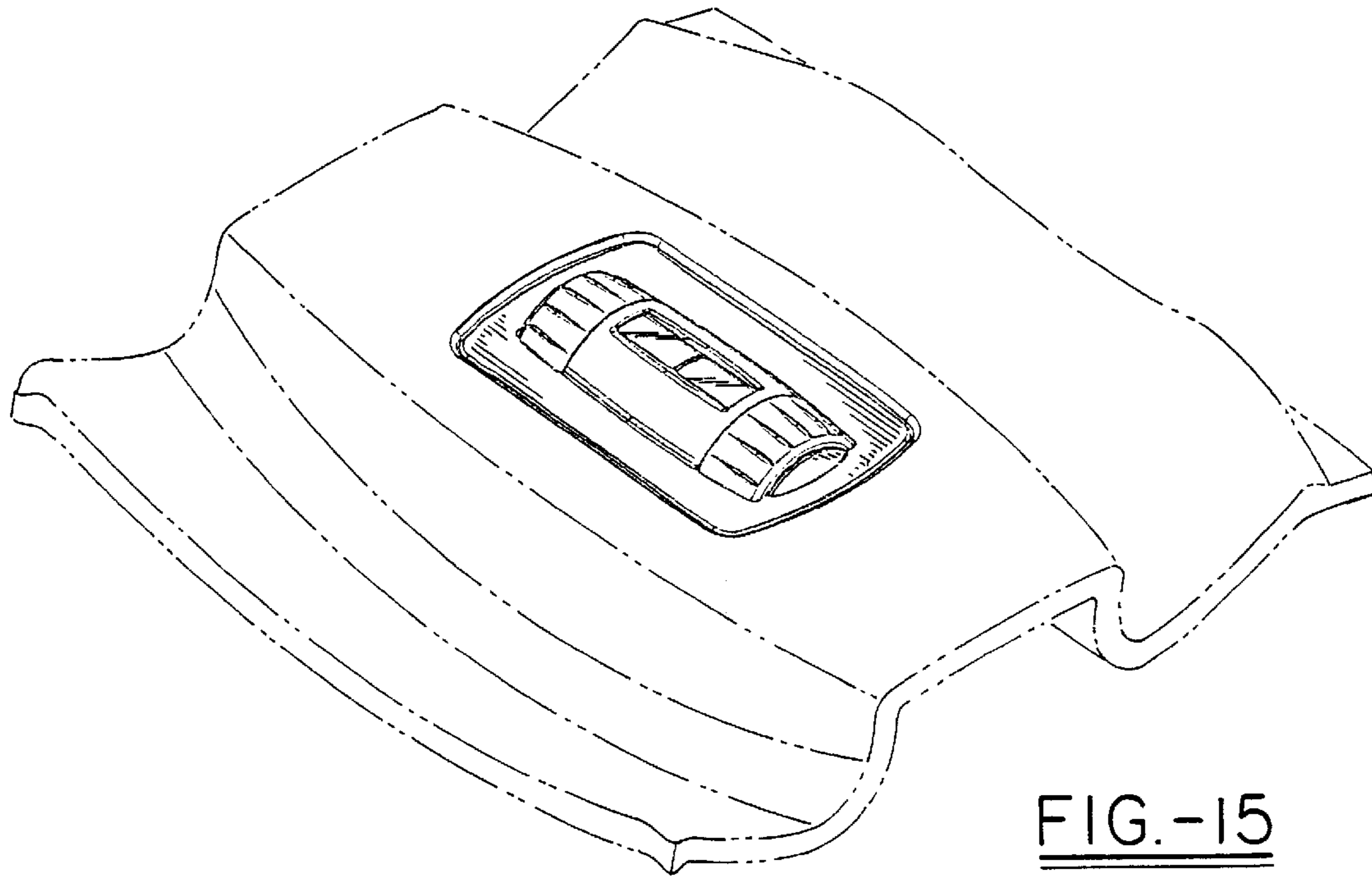


FIG.-15

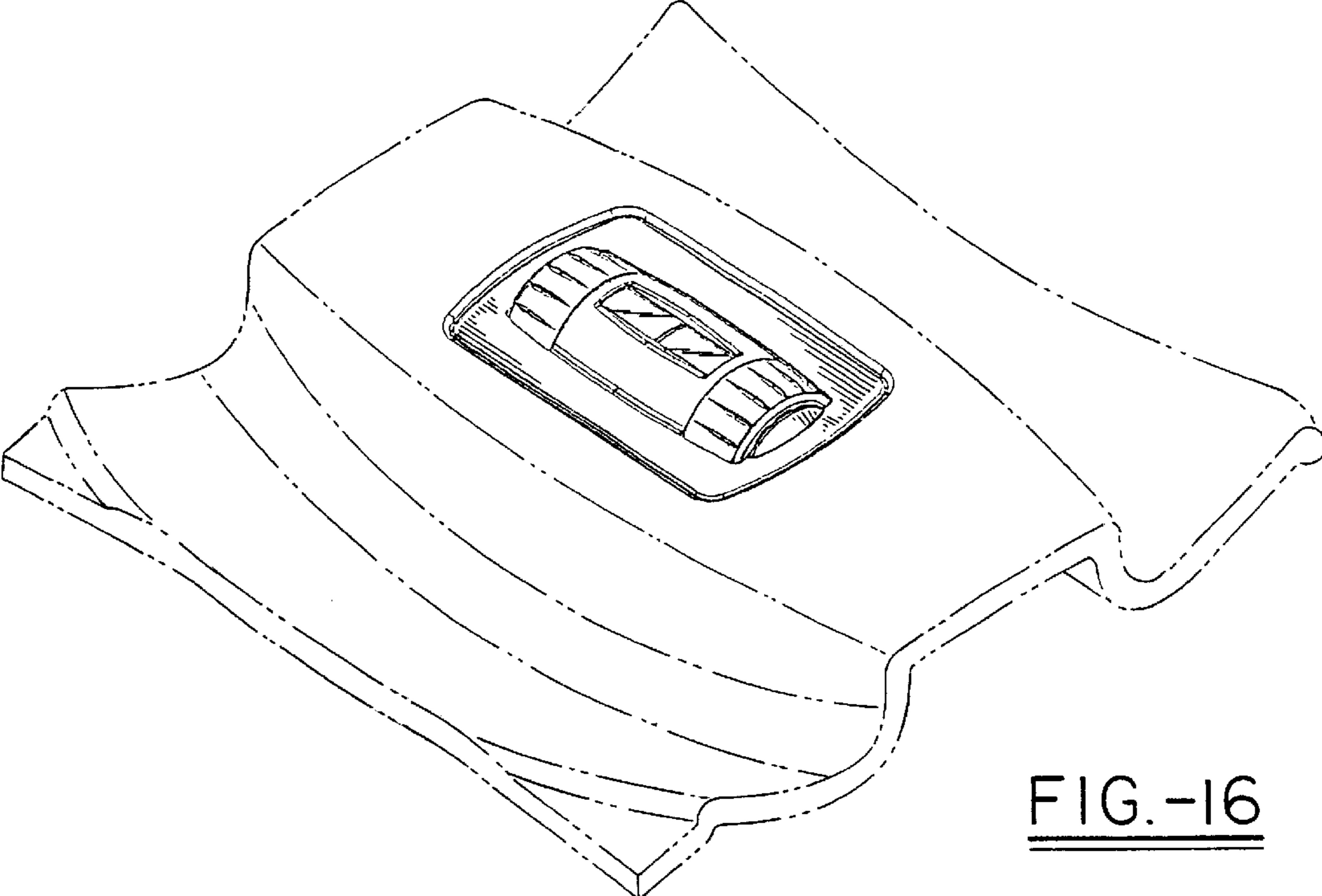


FIG.-16

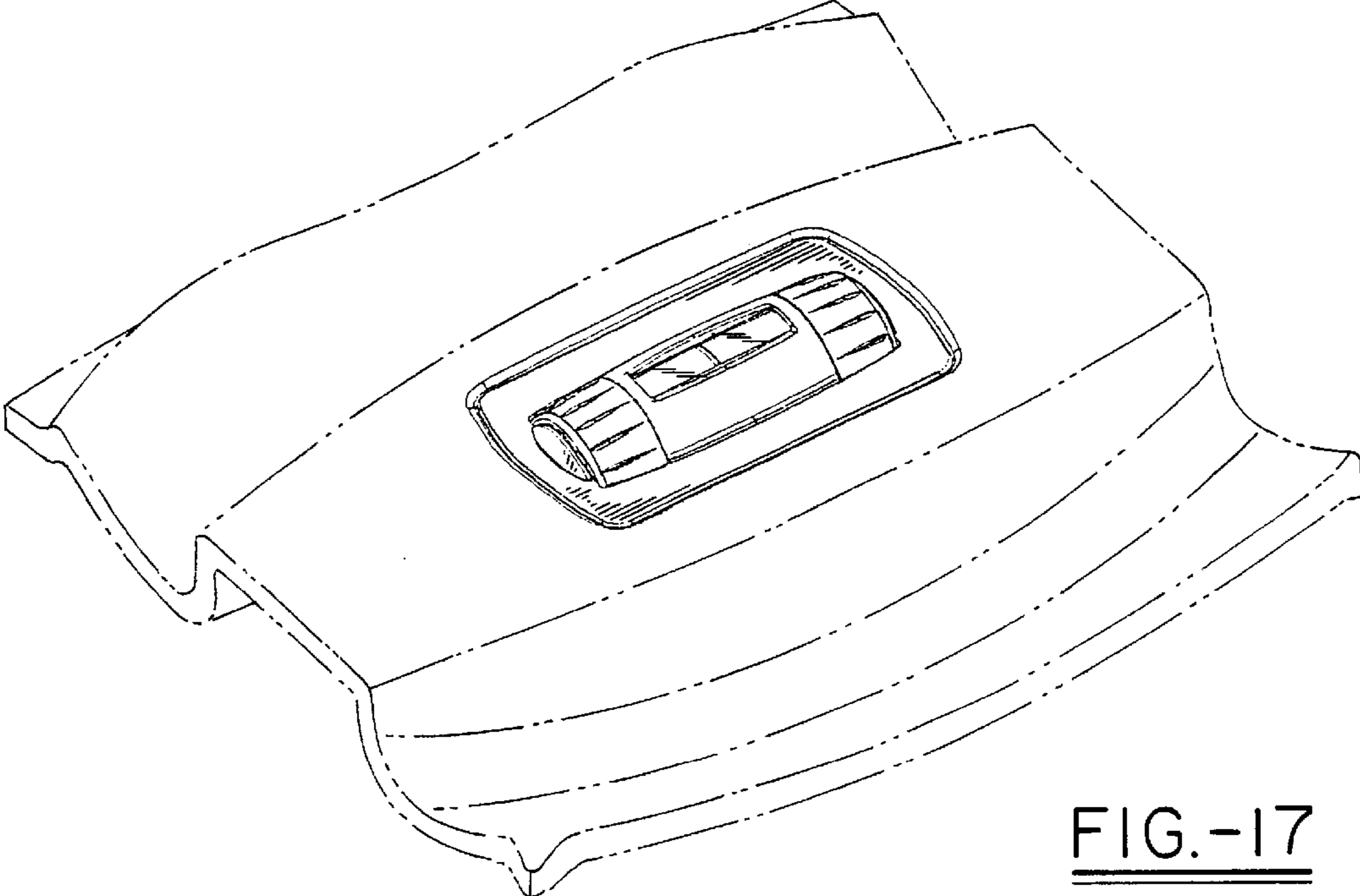


FIG.-17

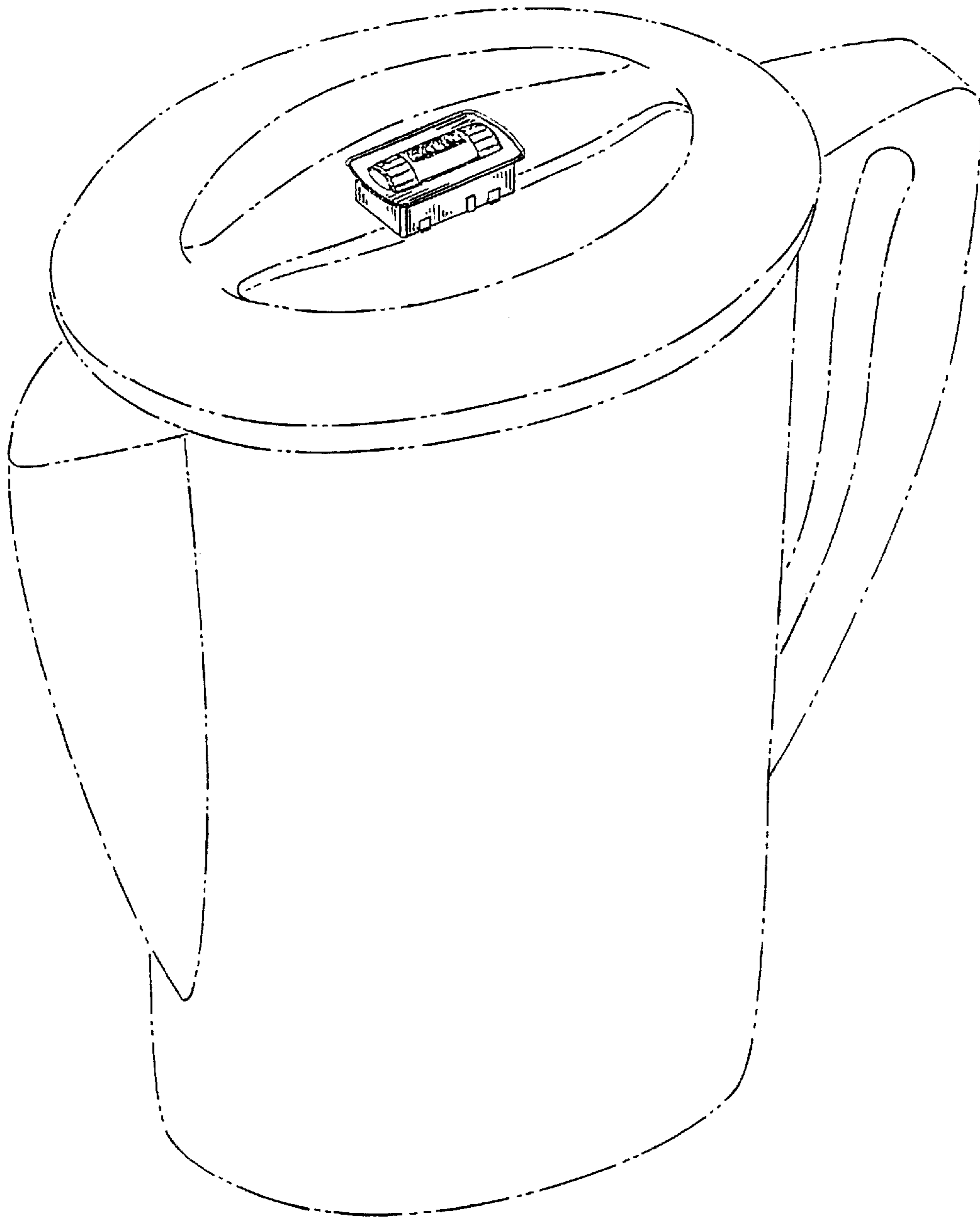


FIG.-18