



US00D501754S

(12) **United States Design Patent**
Munson et al.

(10) **Patent No.:** **US D501,754 S**

(45) **Date of Patent:** **** Feb. 15, 2005**

(54) **FOOD CONTAINER COVER**

(75) Inventors: **Jeff D. Munson**, Henderson, NV (US);
James A. Ingram, Laguna Hills, CA (US)

(73) Assignee: **Cambro Manufacturing Company**,
Huntington Beach, CA (US)

(**) Term: **14 Years**

(21) Appl. No.: **29/195,762**

(22) Filed: **Dec. 17, 2003**

(51) **LOC (7) Cl.** **07-01**

(52) **U.S. Cl.** **D7/392.1**

(58) **Field of Search** D7/391-392.1,
D7/538-542, 612-615, 629; D9/414, 424-432;
206/553, 457; 220/4.21, 780-806, 309.1,
367.1, 376, 377; 229/406, 902-906

(56) **References Cited**

U.S. PATENT DOCUMENTS

4,819,824 A * 4/1989 Longbottom et al. 220/783

D375,654 S * 11/1996 Ferris D7/392.1
D418,716 S * 1/2000 Haley D7/392.1
D425,363 S * 5/2000 Loew et al. D7/392.1
D440,470 S * 4/2001 Tucker et al. D7/629

* cited by examiner

Primary Examiner—Terry A. Wallace

(74) *Attorney, Agent, or Firm*—George F. Bethel

(57) **CLAIM**

We claim the ornamental design for a food container cover,
as shown and described.

DESCRIPTION

FIG. 1 is a top, front, left side perspective view of the food container cover showing our new design, the broken lines of the food container are for illustrative purposes only and form no part of the claimed design;

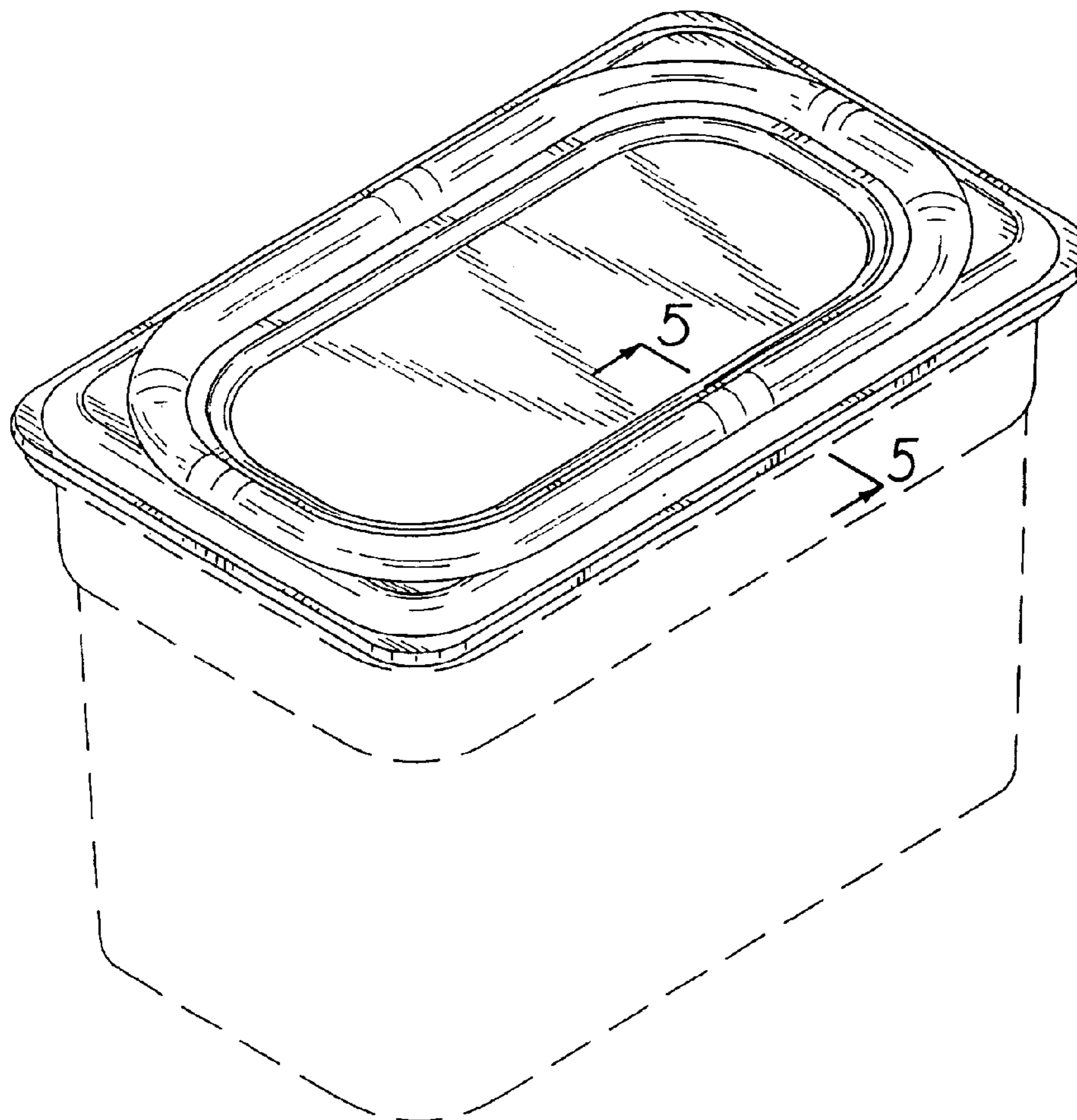
FIG. 2 is a right side elevation view thereof;

FIG. 3 is a rear elevation view thereof;

FIG. 4 is a bottom plan view thereof; and,

FIG. 5 is a cross-section view taken along line 5—5 of FIG. 1.

1 Claim, 4 Drawing Sheets



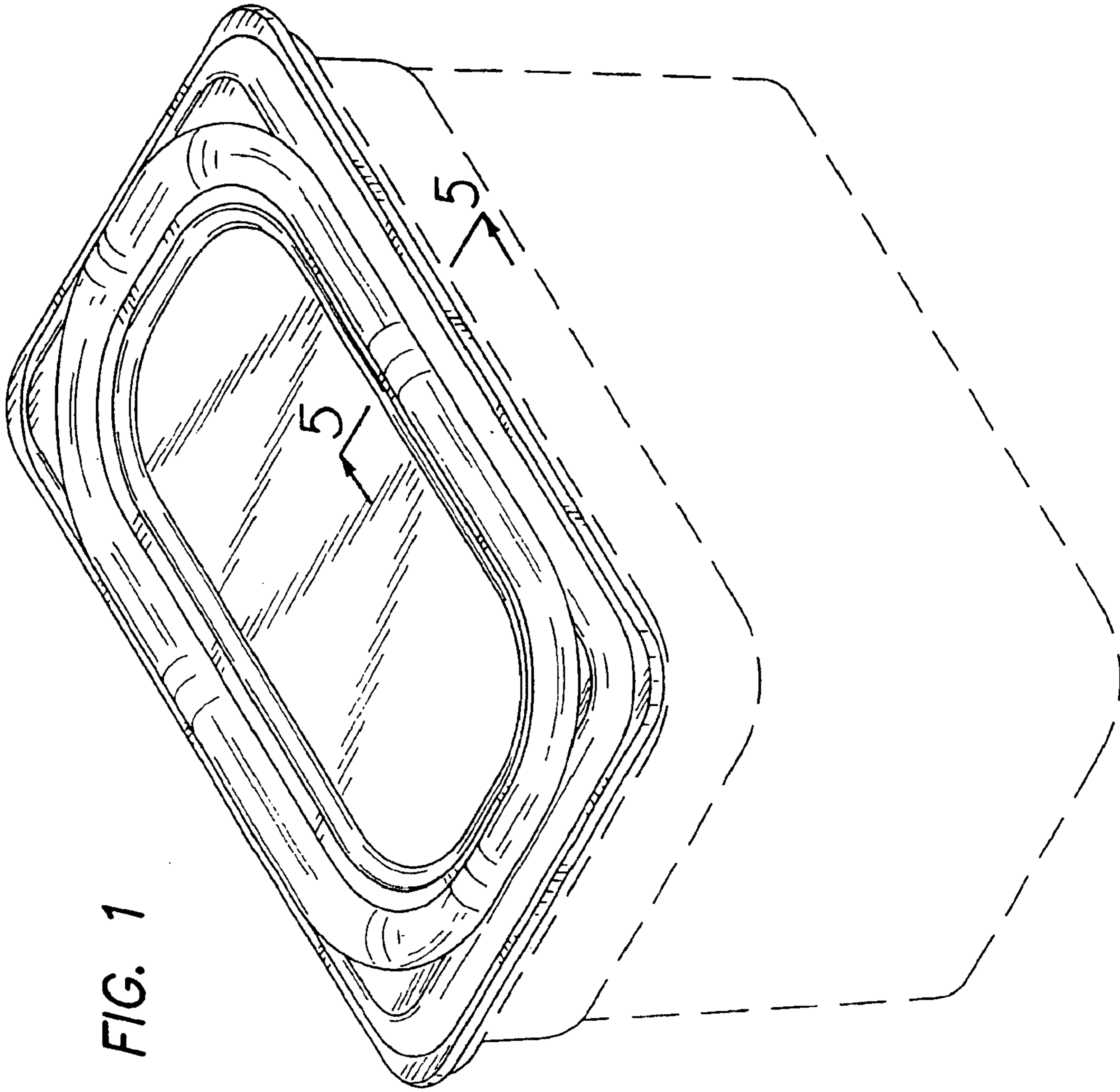


FIG. 1

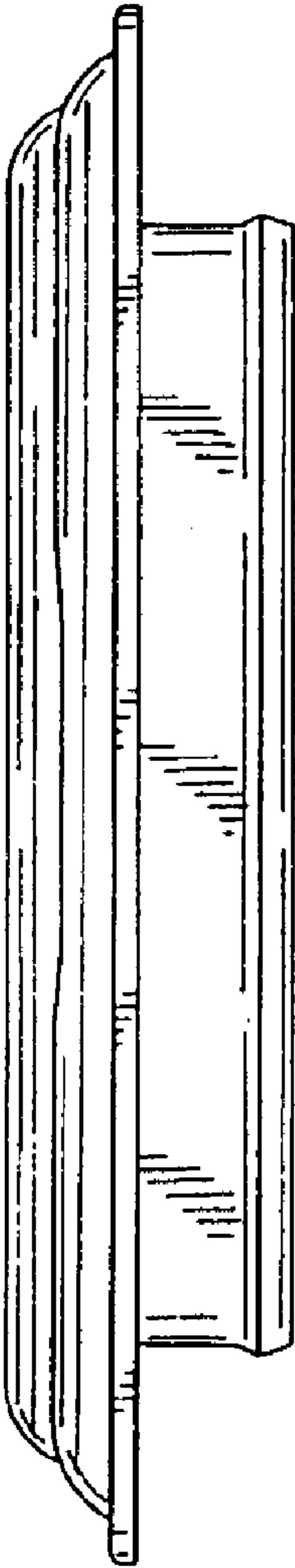


FIG. 2

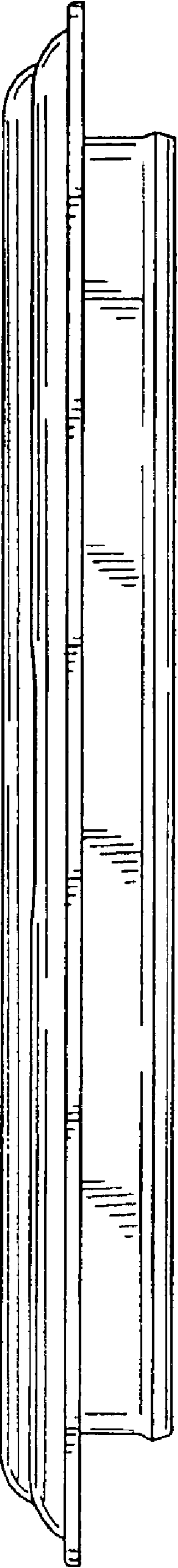


FIG. 3

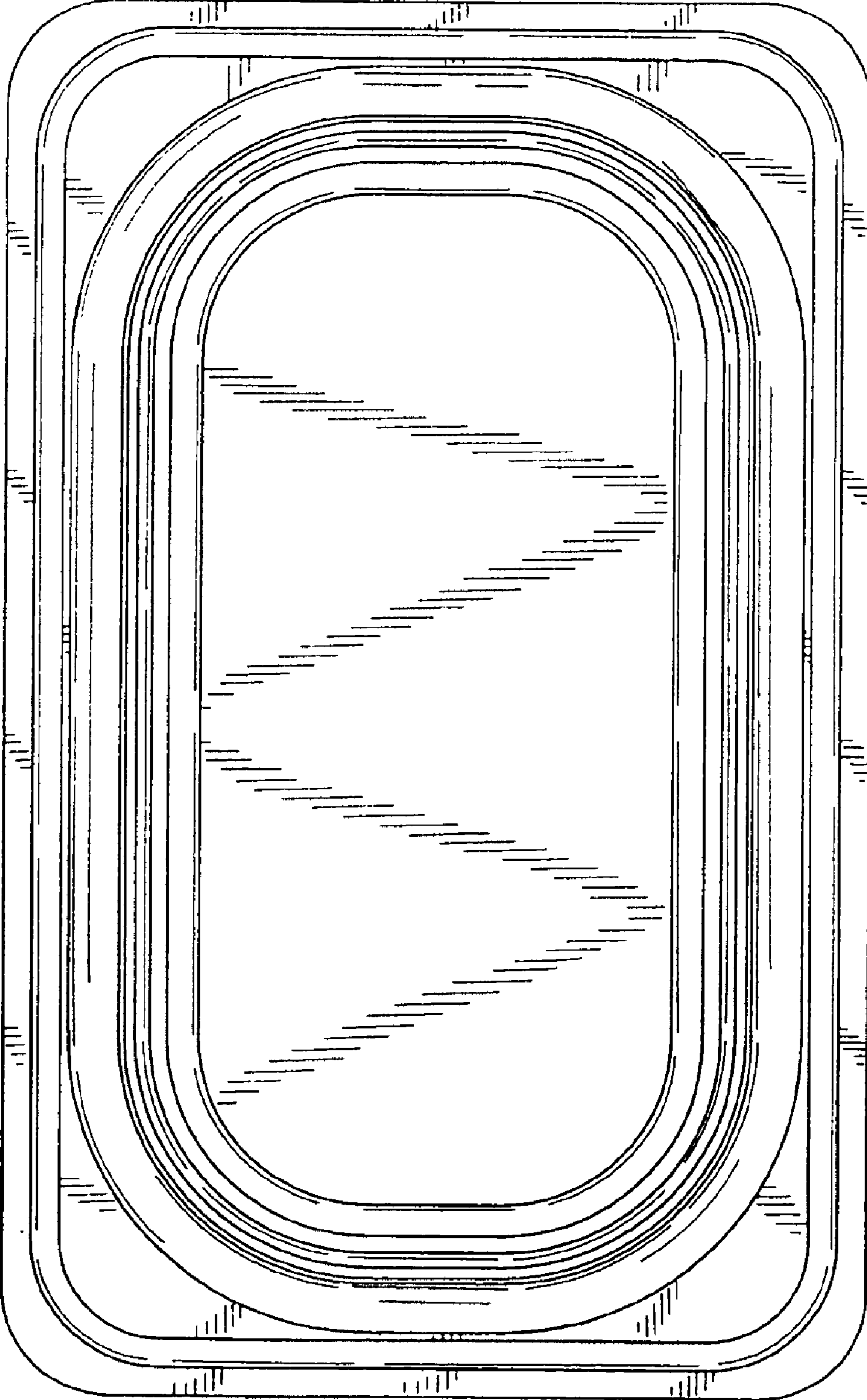


FIG. 4

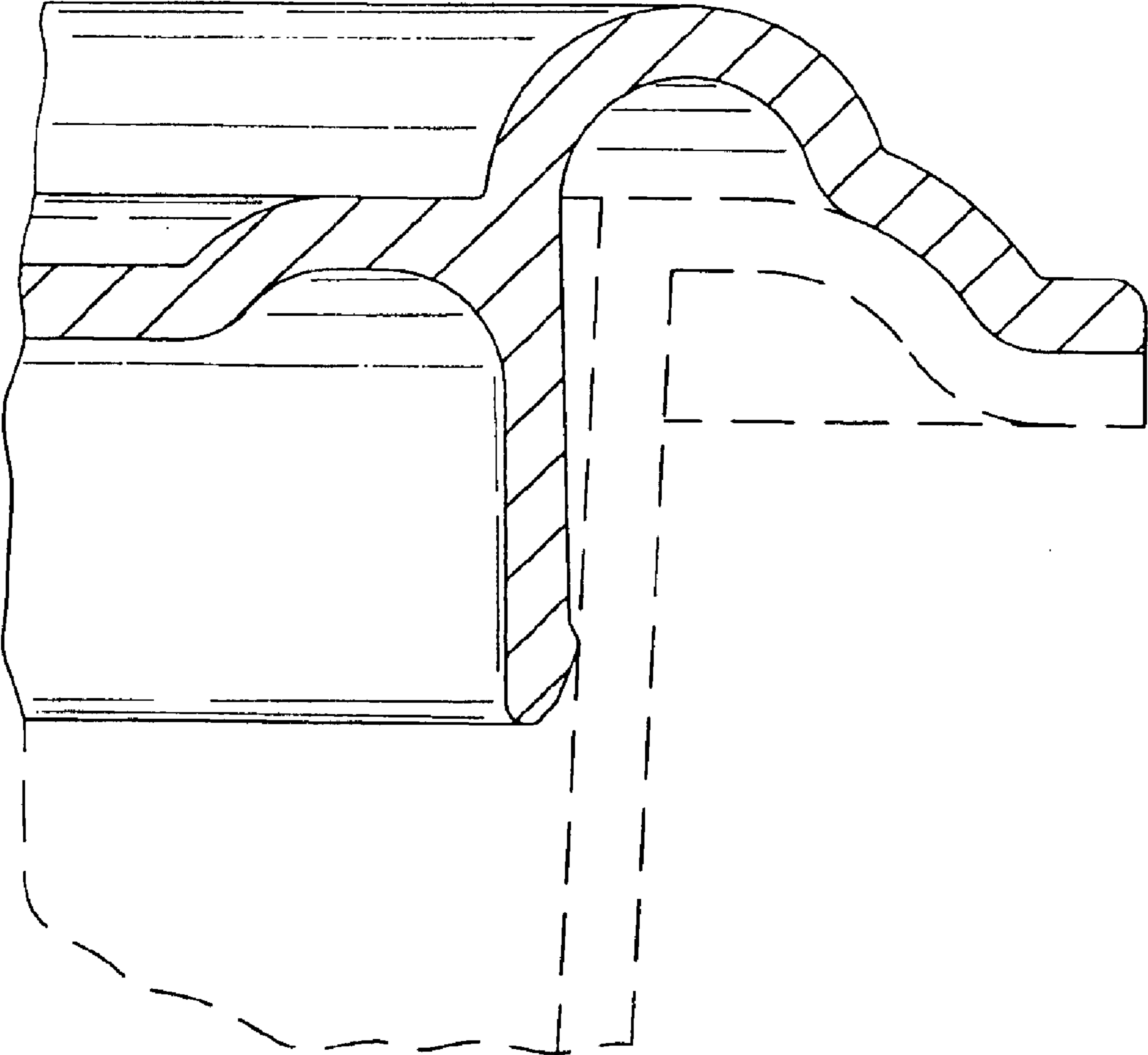


FIG. 5