

US00D501753S

(12) **United States Design Patent**
Pai

(10) **Patent No.:** **US D501,753 S**
(45) **Date of Patent:** **** Feb. 15, 2005**

(54) **FREESTANDING BARBECUE GRILL**

(76) **Inventor:** **Lucas Pai**, 8 Fl.-2, No. 160, Sec. 1,
Chung-Kang Rd., Taichung (TW)

(**) **Term:** **14 Years**

(21) **Appl. No.:** **29/193,276**

(22) **Filed:** **Nov. 6, 2003**

(30) **Foreign Application Priority Data**

Sep. 29, 2003 (TW) 92305964

(51) **LOC (7) Cl.** **07-02**

(52) **U.S. Cl.** **D7/334**

(58) **Field of Search** D7/332-337, 402-405;
126/25 R, 25 A, 25 AA, 41 R, 304 R, 37 R,
50; 99/419; 312/249.8, 249.13, 351.2

(56) **References Cited**

U.S. PATENT DOCUMENTS

D460,313 S * 7/2002 Crookshanks et al. D7/334
D486,033 S * 2/2004 Tseng D7/334

D488,026 S * 4/2004 Tseng D7/403
D490,642 S * 6/2004 Pai D7/334
2002/0078944 A1 * 6/2002 Cozzolino et al. 126/41 R
2004/0112363 A1 * 6/2004 Speck et al. 126/41 R

* cited by examiner

Primary Examiner—Ruth McInroy

(74) *Attorney, Agent, or Firm*—William E. Pelton, Esq.

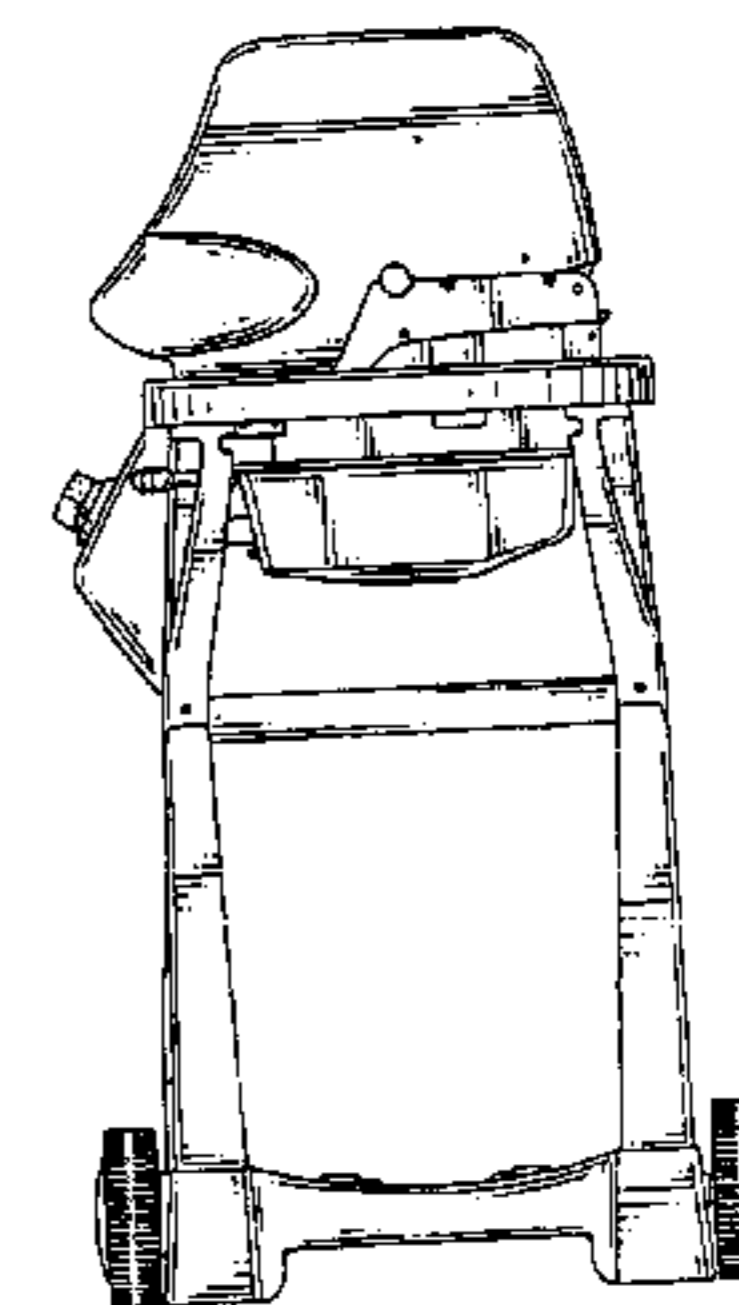
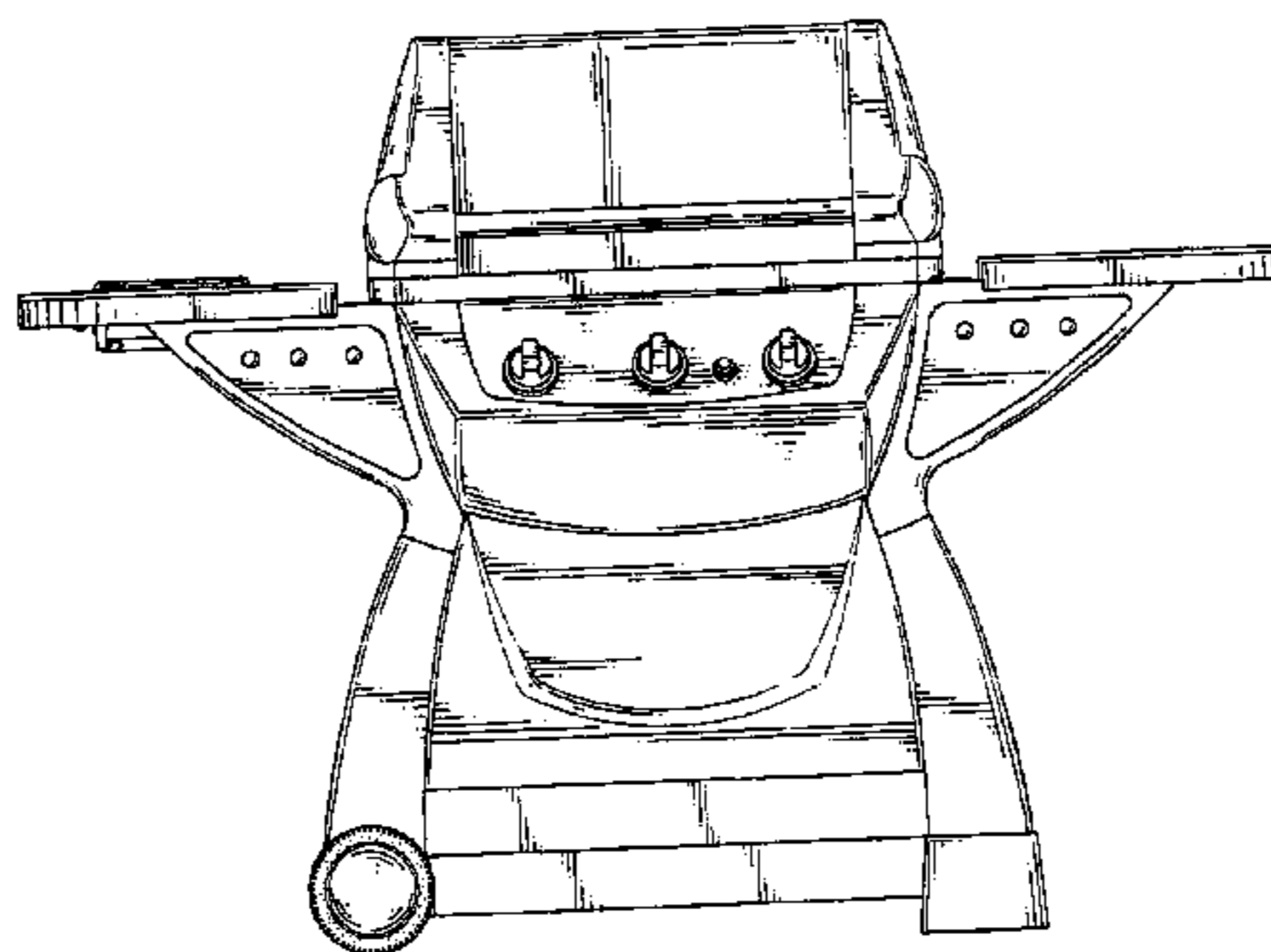
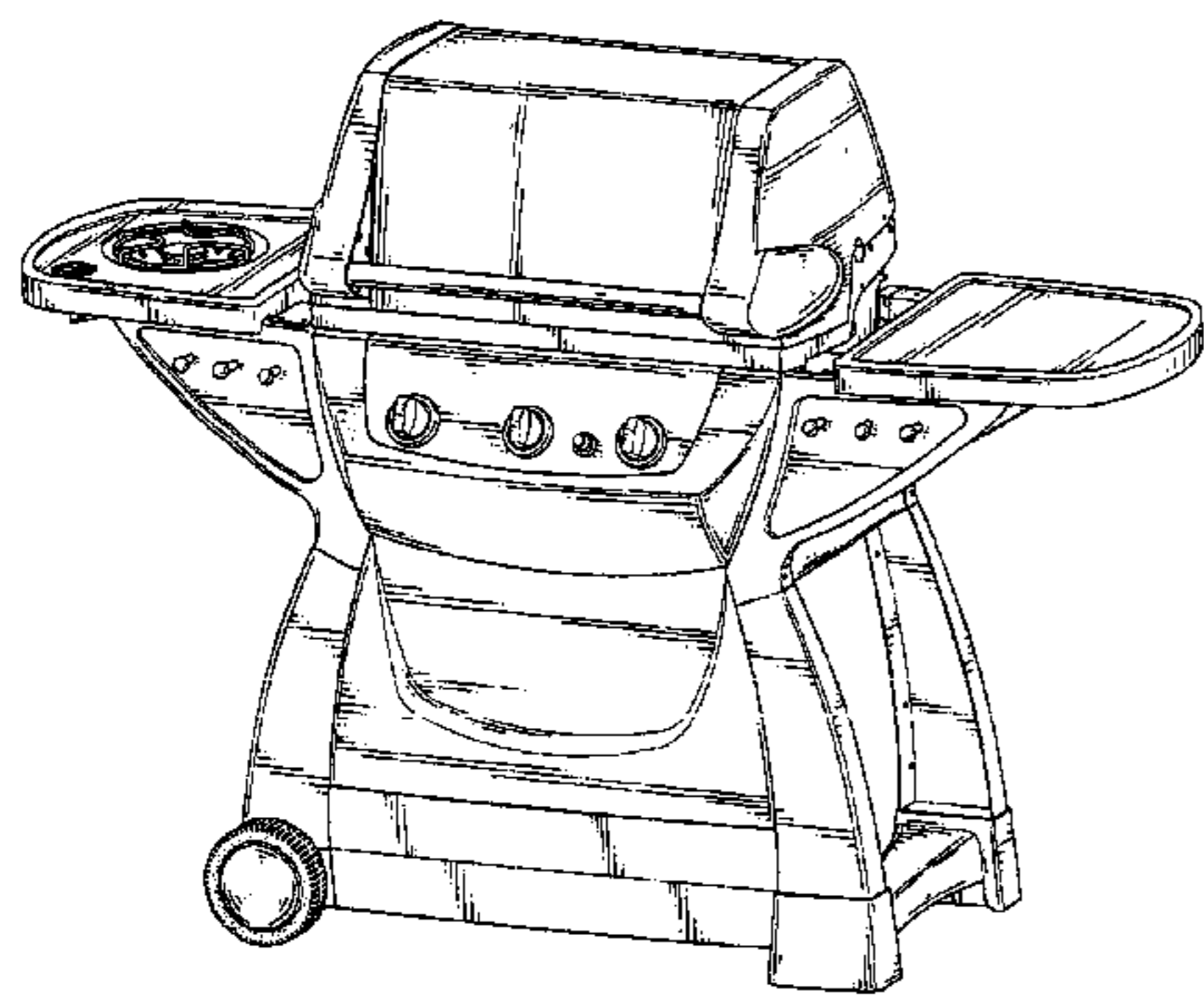
(57) **CLAIM**

The ornamental design for a freestanding barbecue grill, as shown.

DESCRIPTION

FIG. 1 is a perspective view of a freestanding barbecue grill, showing my new design;
FIG. 2 is a front elevational view thereof;
FIG. 3 is a rear elevational view thereof;
FIG. 4 is a left side elevational view thereof;
FIG. 5 is a right side elevational view thereof;
FIG. 6 is a top plan view thereof; and,
FIG. 7 is a bottom plan view thereof.

1 Claim, 6 Drawing Sheets



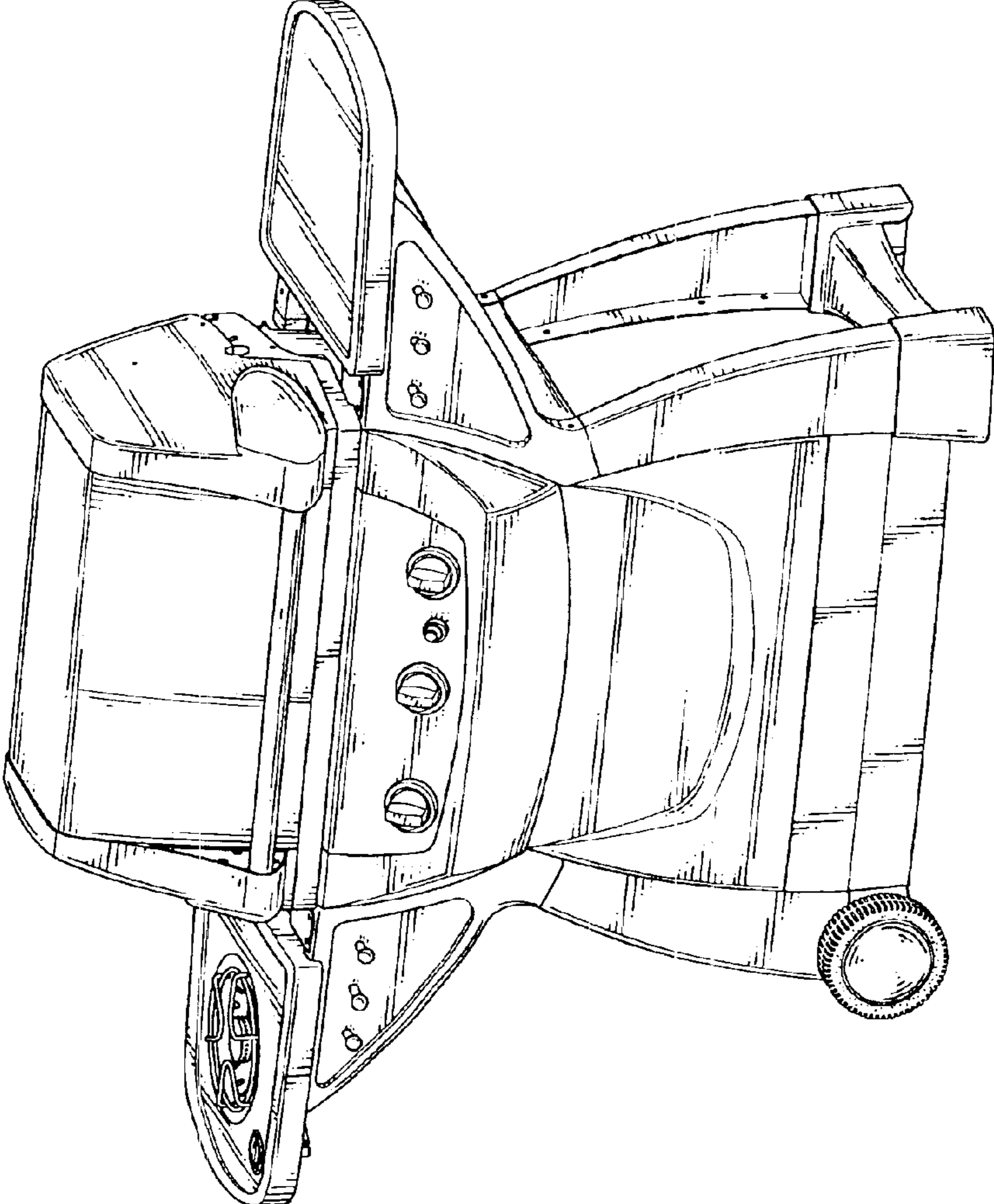


FIG. 1

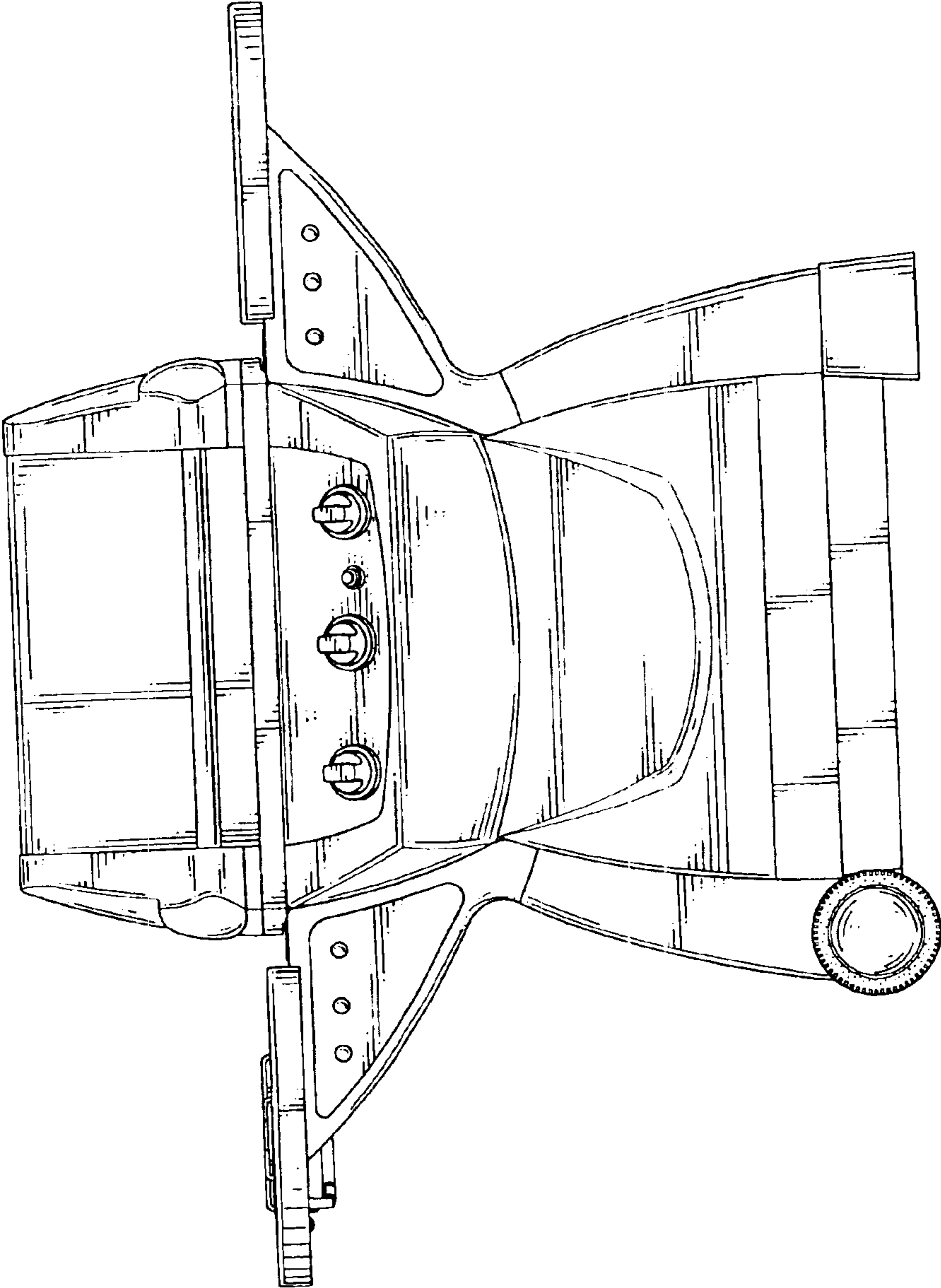


FIG. 2

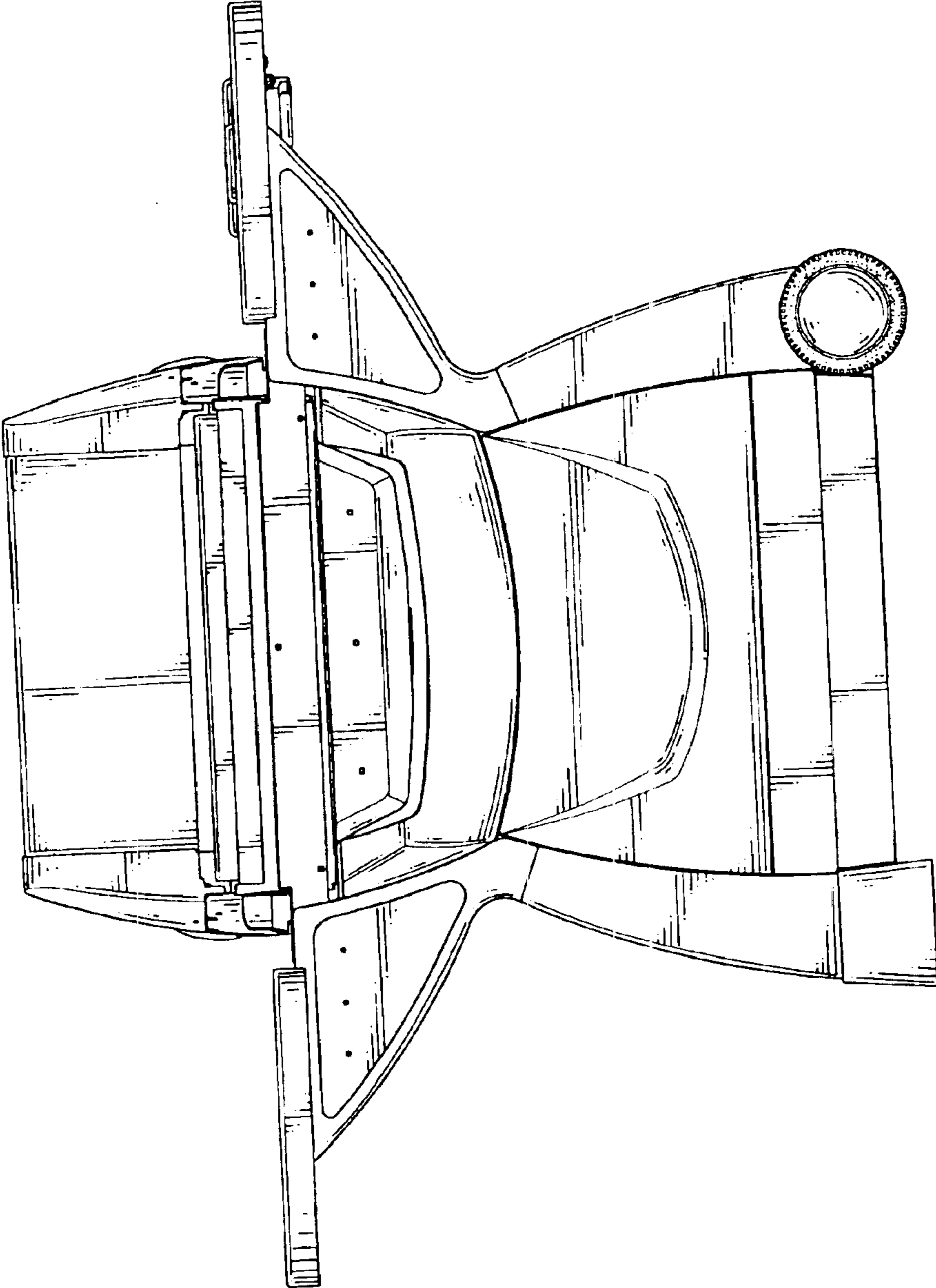


FIG. 3

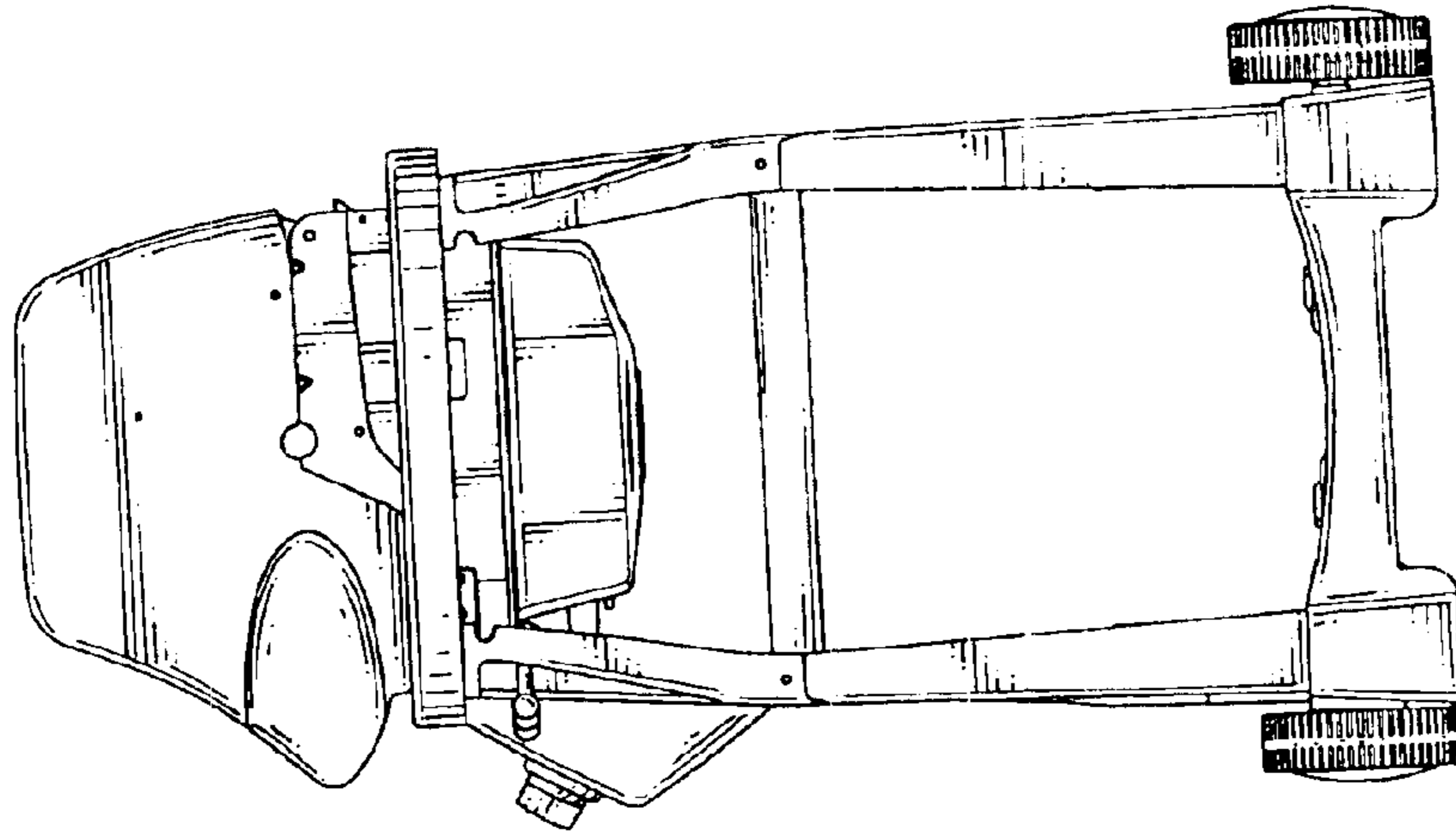


FIG. 5

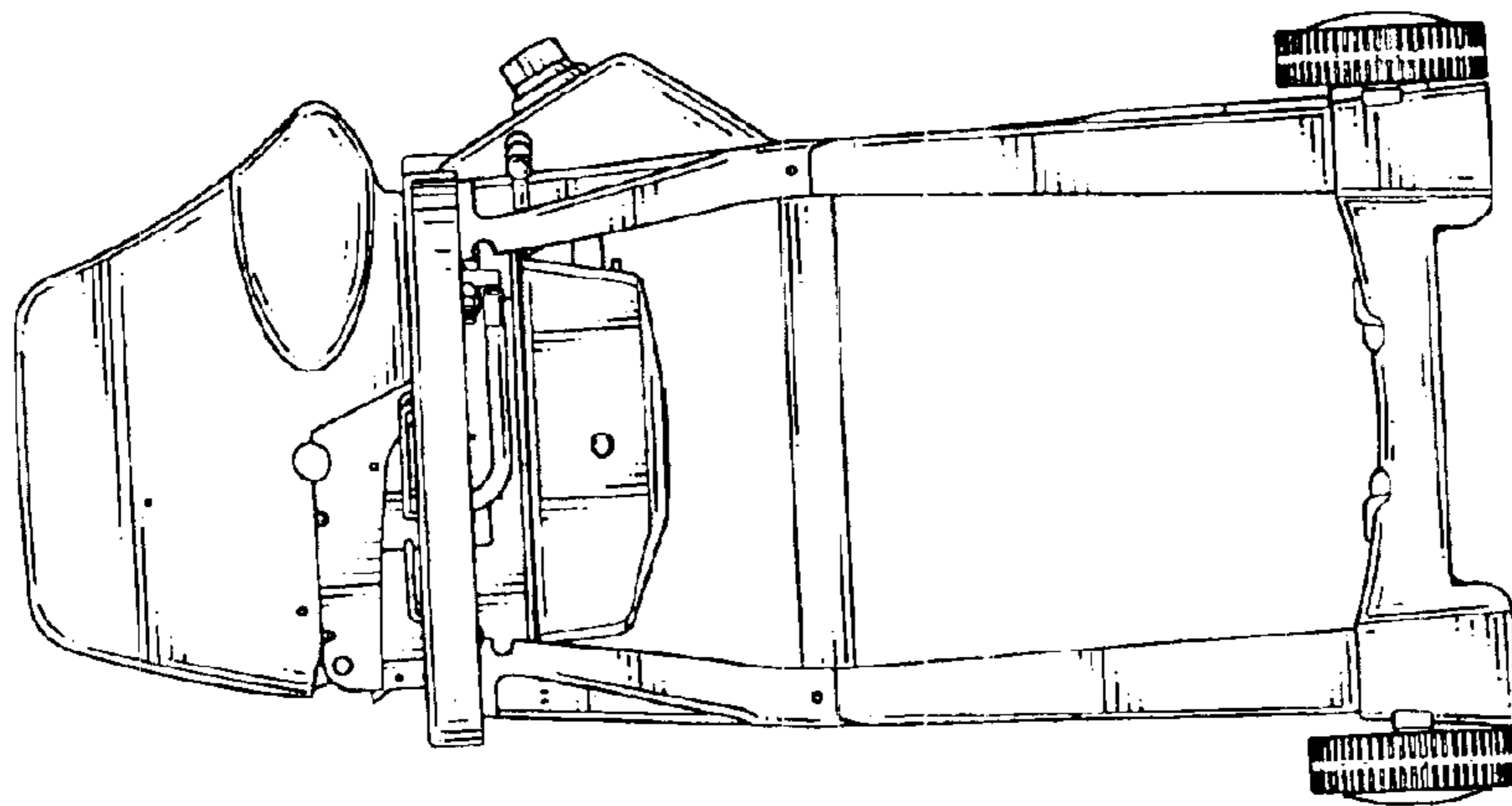


FIG. 4

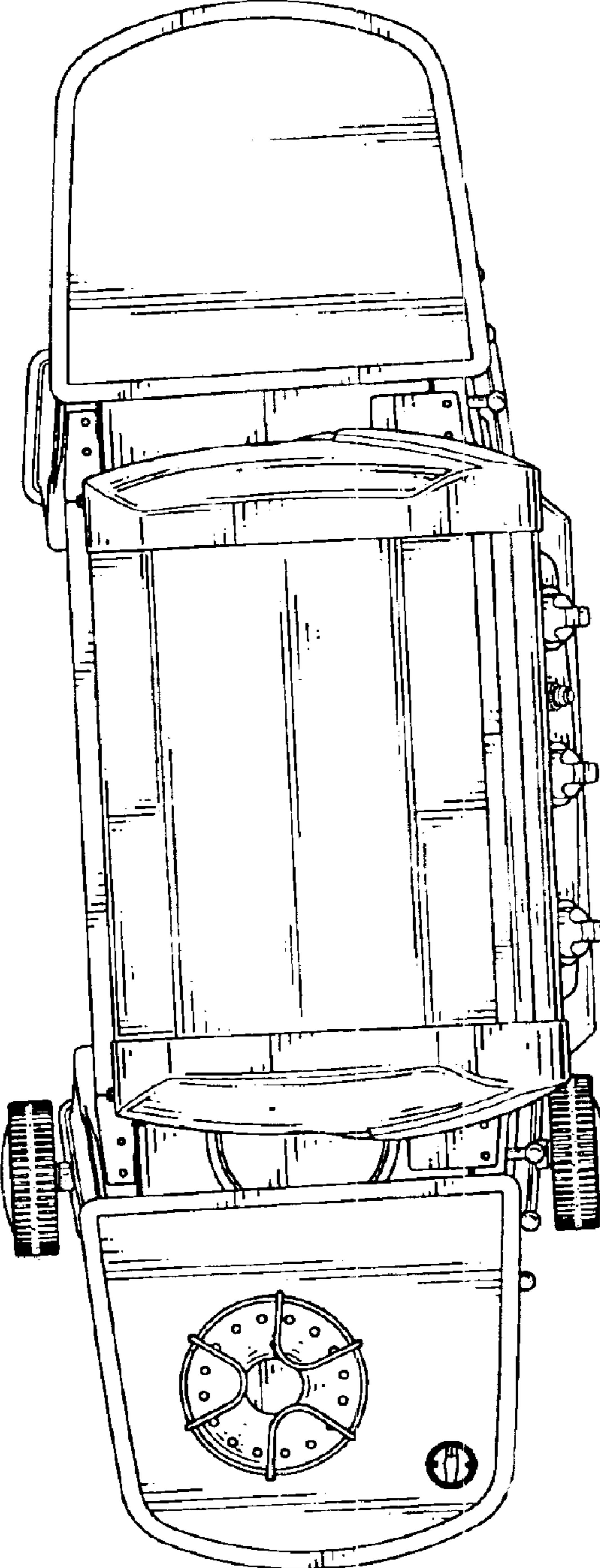


FIG. 6

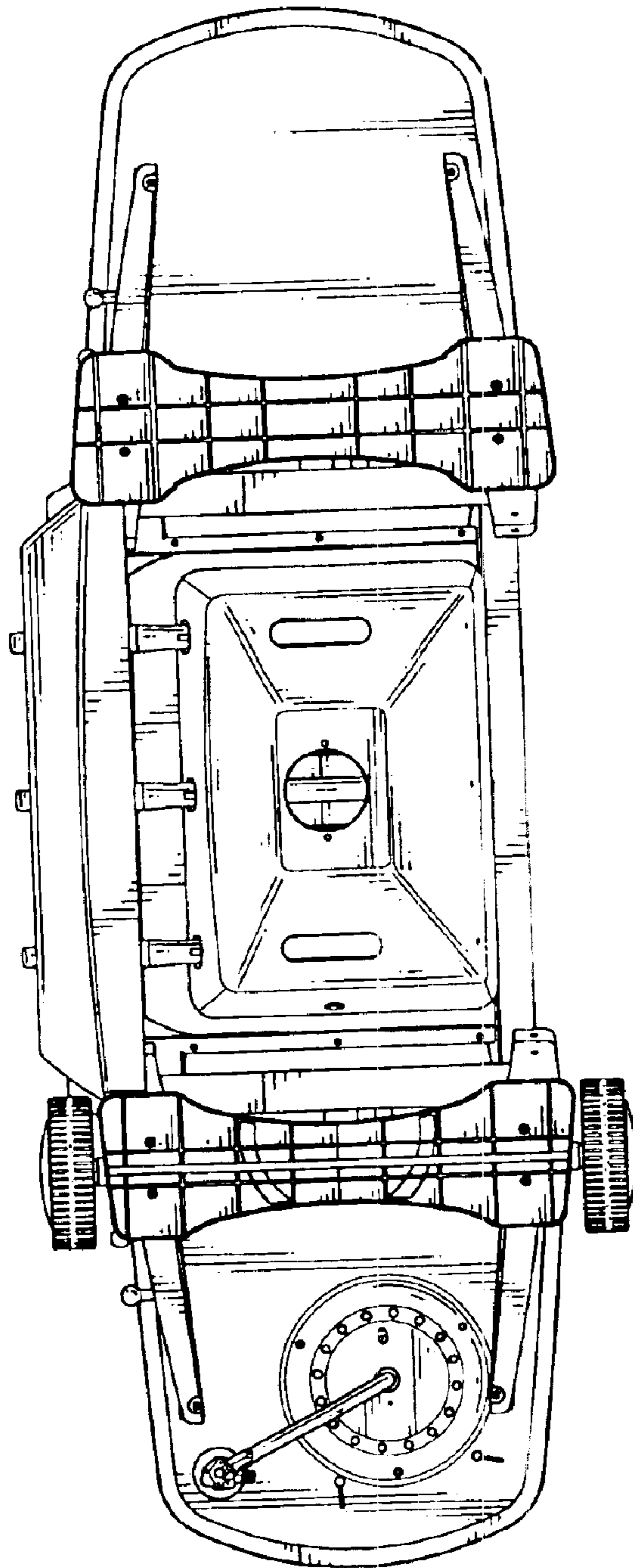


FIG. 7