

US00D501751S

(12) **United States Design Patent**
Lin

(10) **Patent No.:** **US D501,751 S**

(45) **Date of Patent:** **** Feb. 15, 2005**

(54) **COFFEE MAKER**

D432,848 S * 10/2000 Brady et al. D7/309
D465,120 S * 11/2002 Bouhuys et al. D7/309
D496,214 S * 9/2004 Ledingham et al. D7/309
D496,553 S * 9/2004 Bodum D7/309

(75) Inventor: **Yu-Yuan Lin**, Tainan (TW)

(73) Assignee: **Uni-Splendor Corp.**, Tainan (TW)

* cited by examiner

(**) Term: **14 Years**

Primary Examiner—M. N. Pandozzi

(21) Appl. No.: **29/189,061**

(74) *Attorney, Agent, or Firm*—Apex Juris, pllc; Tracy M Heims

(22) Filed: **Aug. 28, 2003**

(57) **CLAIM**

(51) **LOC (7) Cl.** **07-01**

The ornamental design for a coffee maker, as shown and described.

(52) **U.S. Cl.** **D7/309; D7/311**

(58) **Field of Search** D7/300, 309, 310,
D7/311, 306; 99/279, 280, 285, 295, 304;
426/433, 435

DESCRIPTION

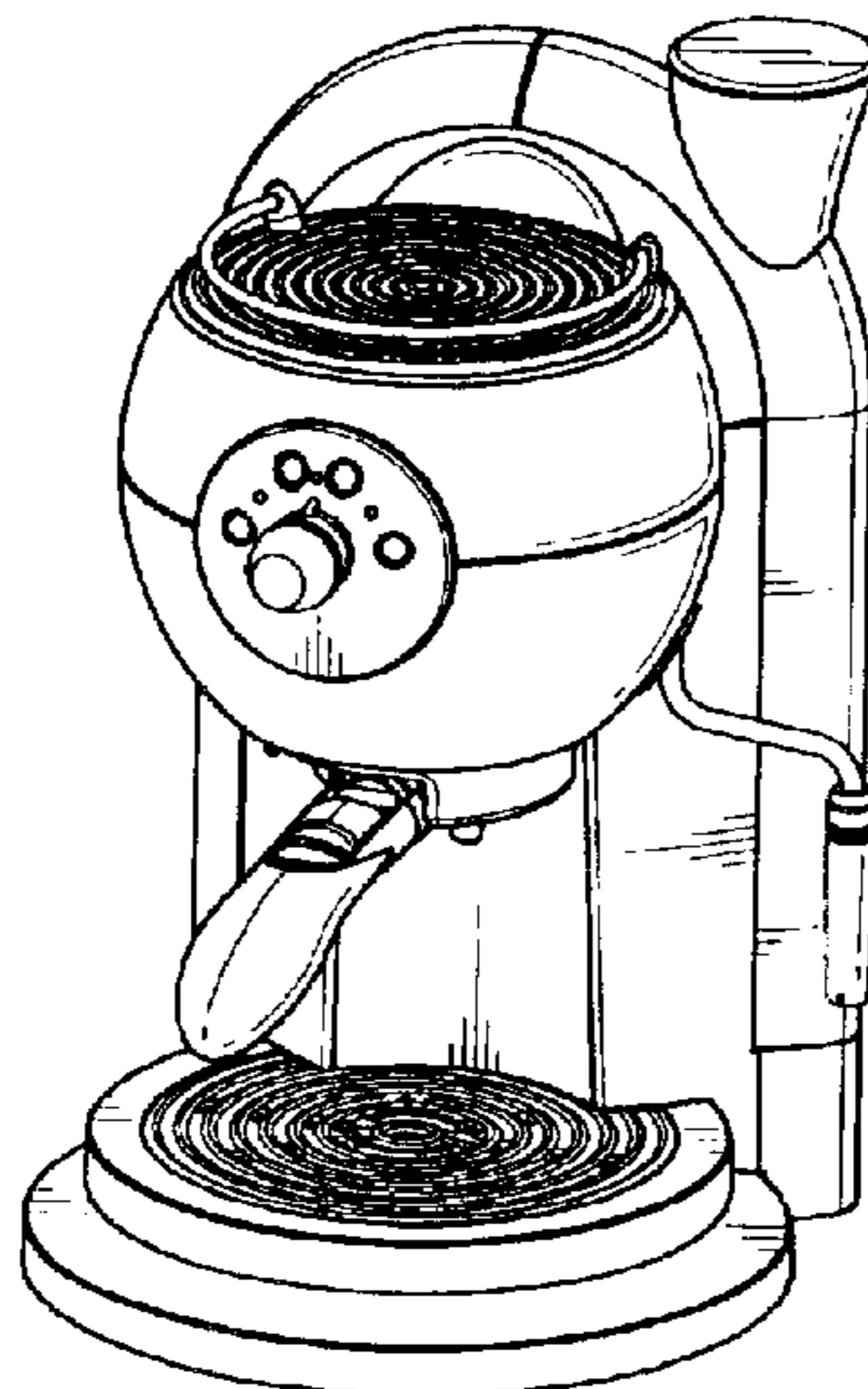
FIG. 1 is a perspective view of a coffee maker showing my new design;
FIG. 2 is a front side elevational view thereof;
FIG. 3 is a rear side elevational view thereof;
FIG. 4 is a left side elevational view thereof;
FIG. 5 is a right side elevational view thereof;
FIG. 6 is a top plan view thereof; and,
FIG. 7 is a bottom plan view thereof.

(56) **References Cited**

U.S. PATENT DOCUMENTS

D299,304 S * 1/1989 Knochner et al. D7/309
D353,296 S * 12/1994 Assmann D7/309
D406,982 S * 3/1999 Littmann D7/309
D411,705 S * 6/1999 Littmann D7/309
D430,771 S * 9/2000 Saltet D7/309

1 Claim, 4 Drawing Sheets



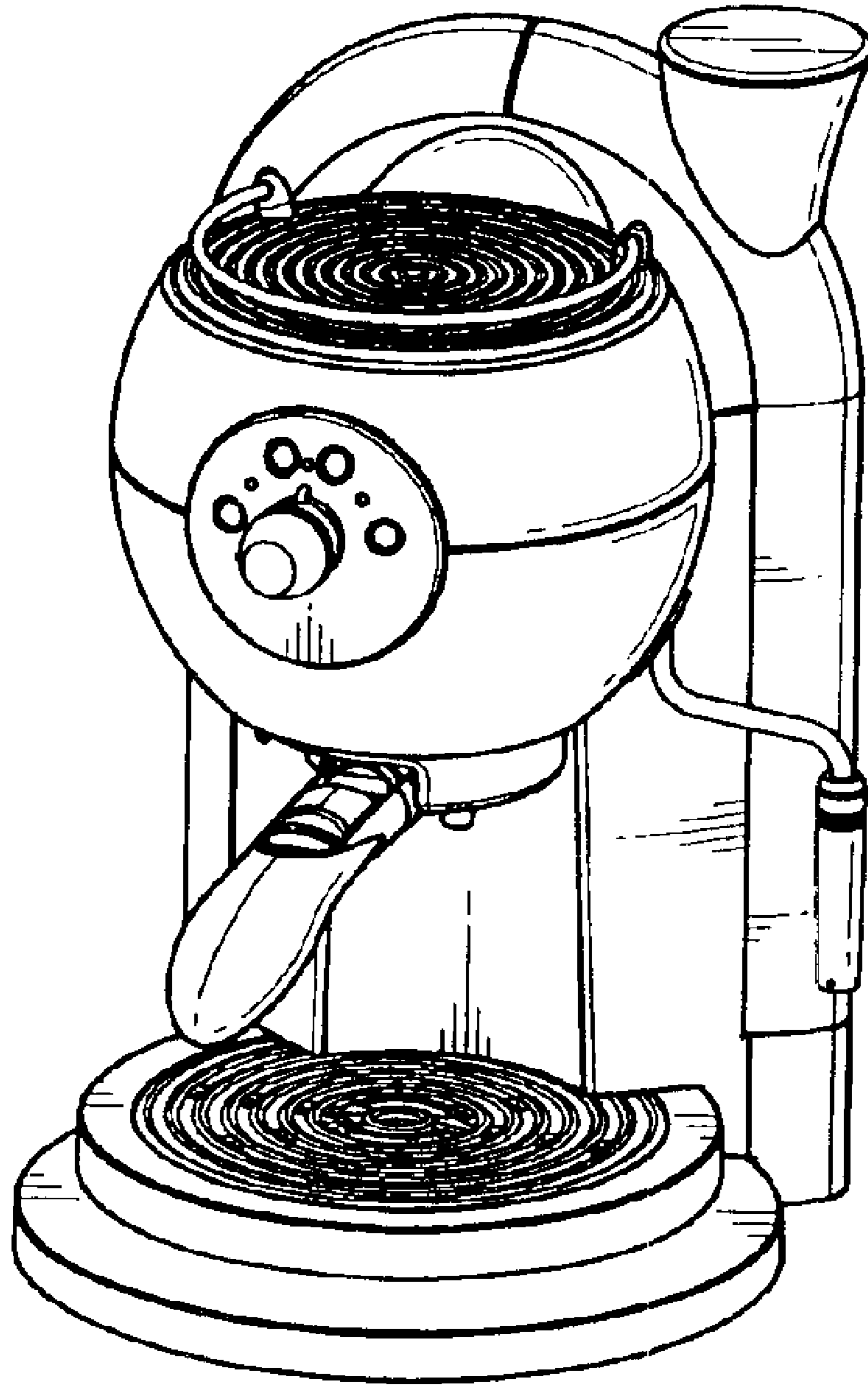


FIG. 1

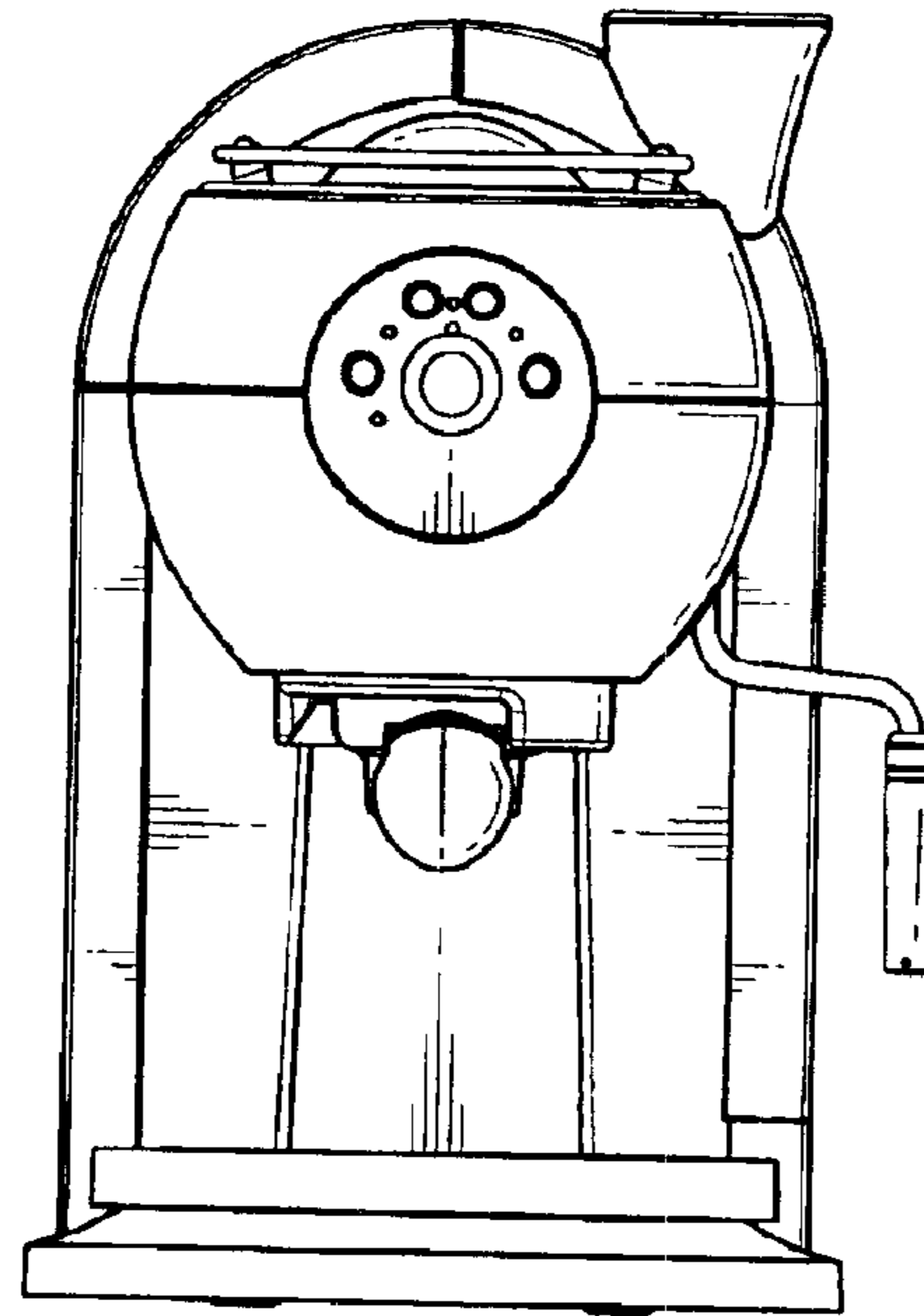


FIG. 2

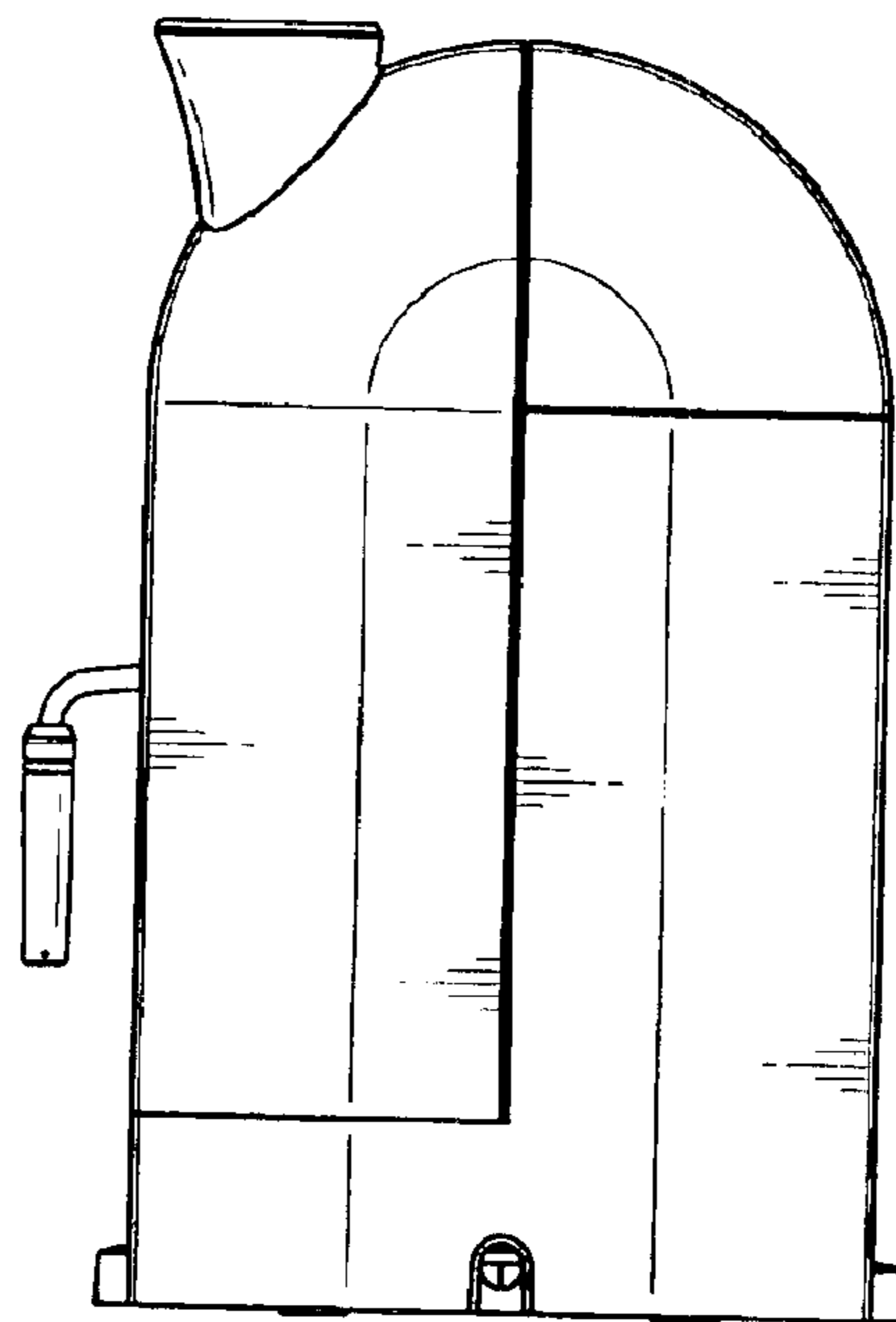


FIG. 3

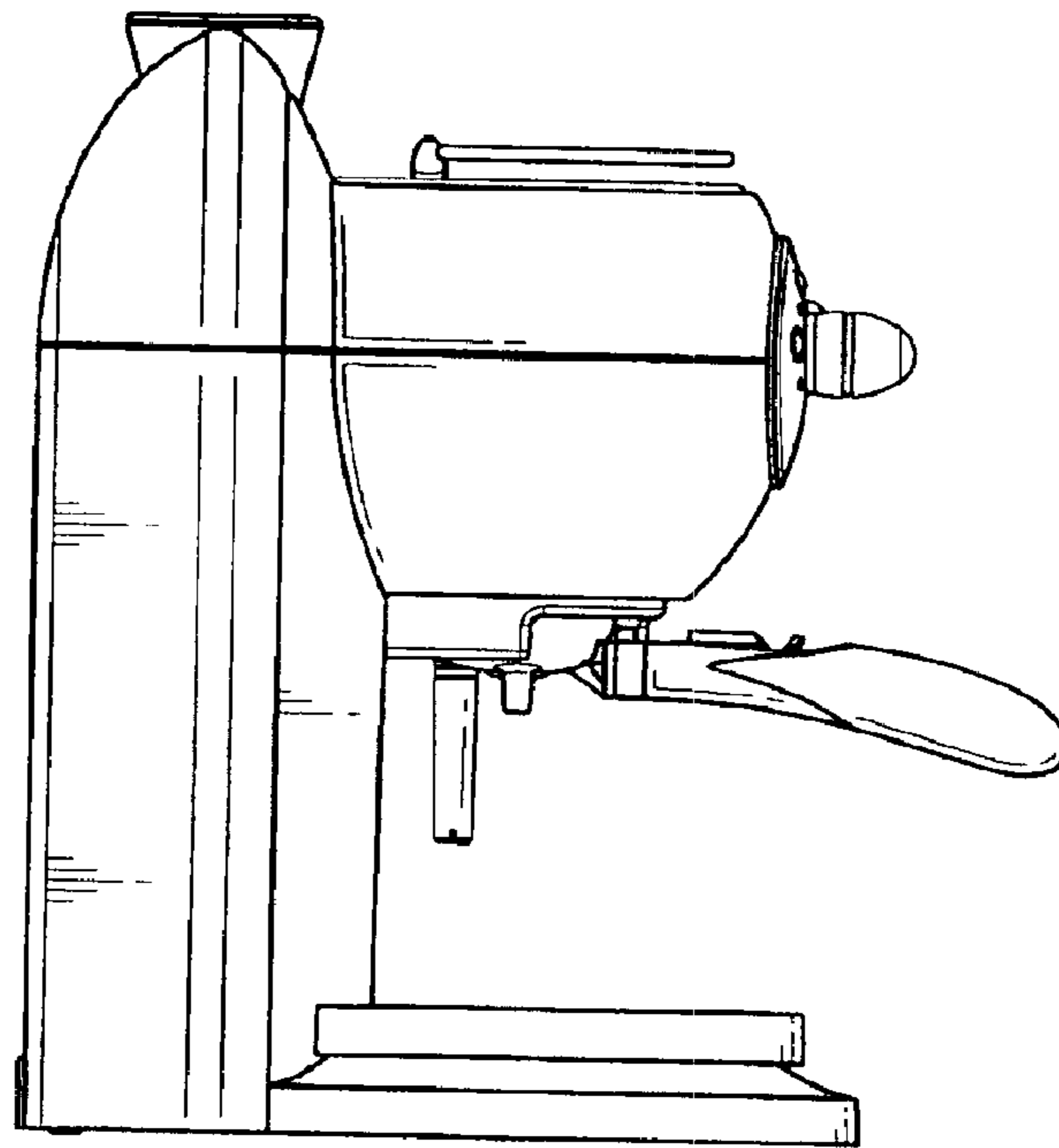


FIG. 4

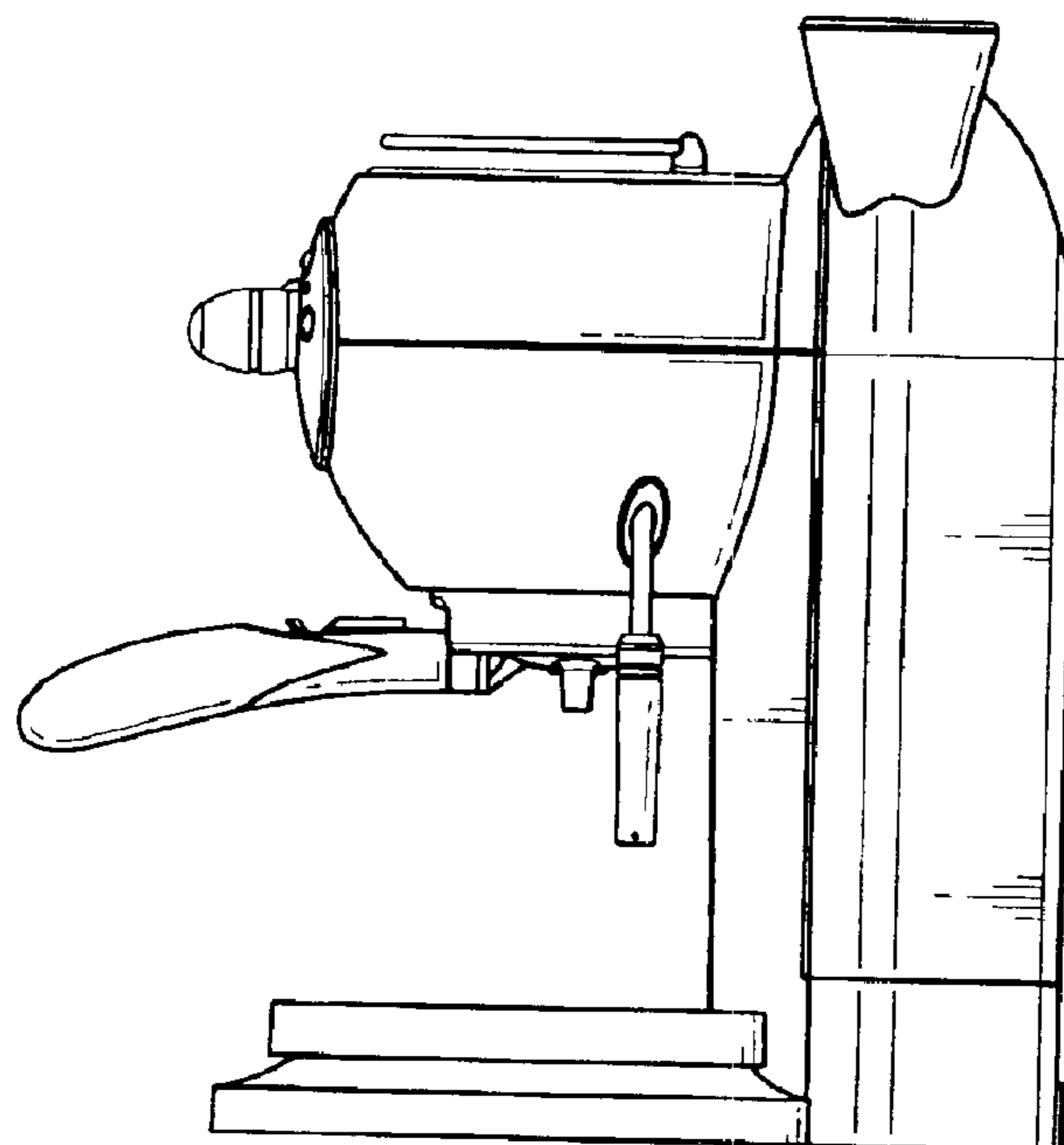


FIG. 5

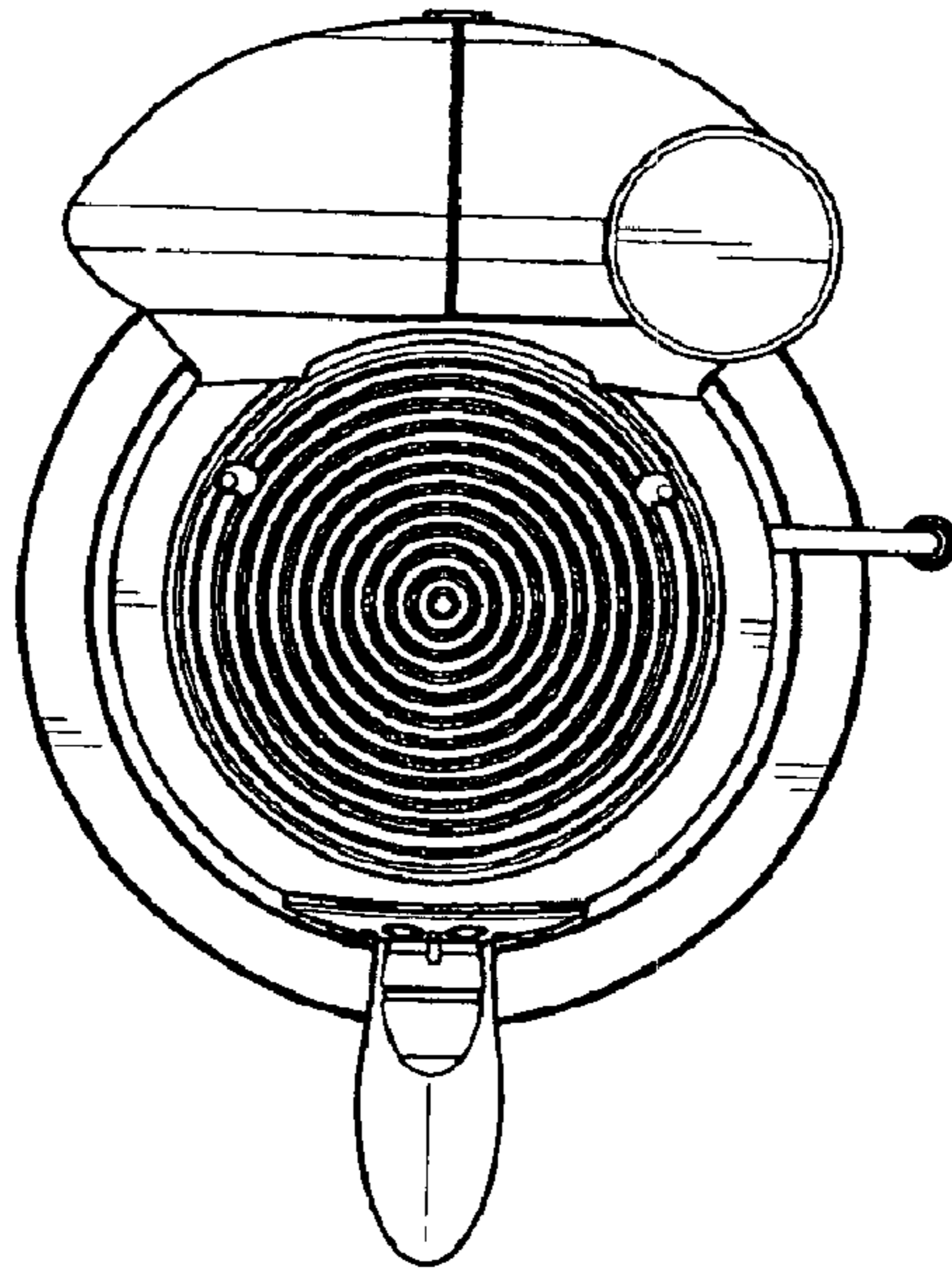


FIG. 6

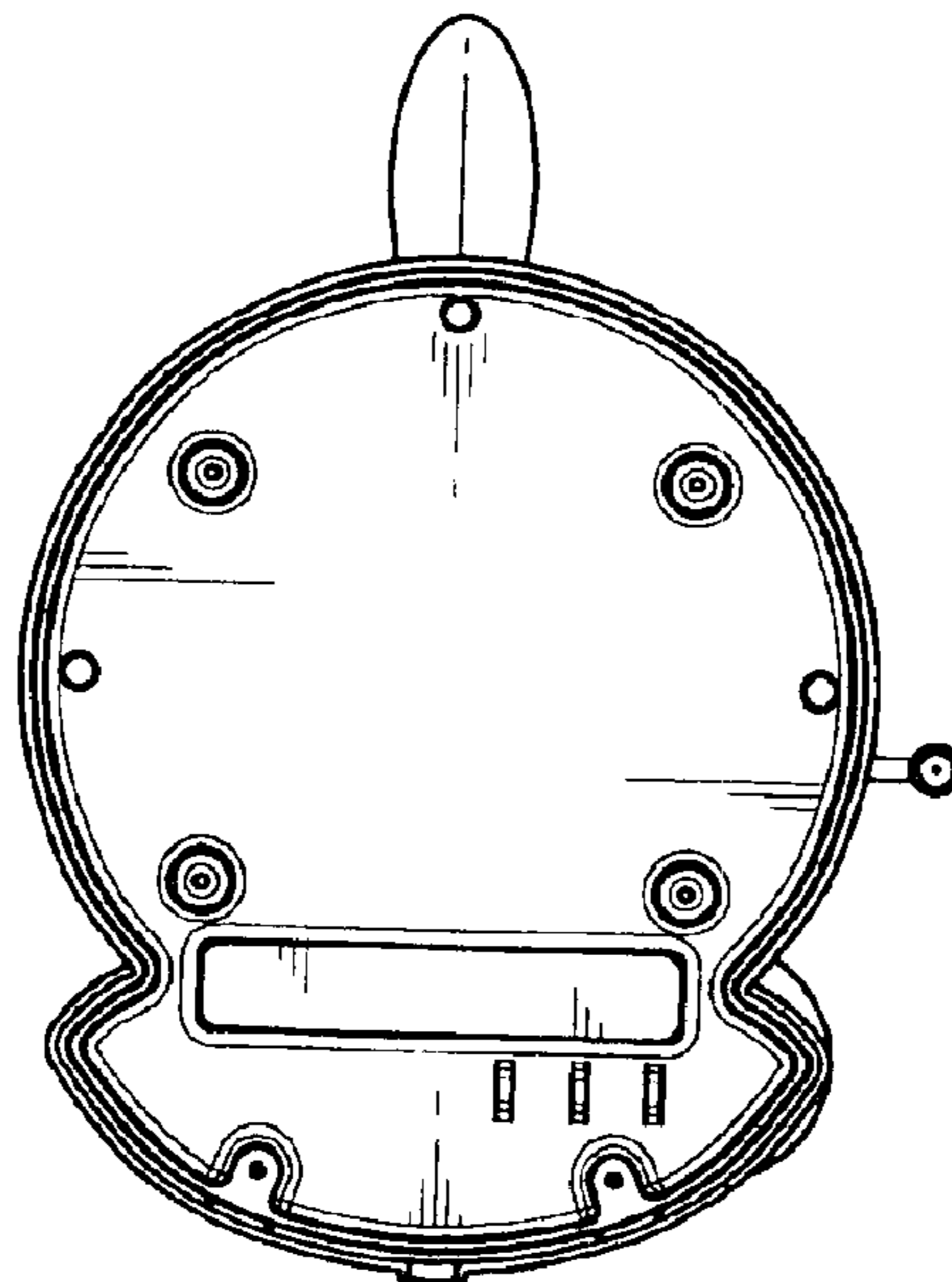


FIG. 7