

US00D501747S

(12) **United States Design Patent**
Wu

(10) **Patent No.:** **US D501,747 S**
(45) **Date of Patent:** **** Feb. 15, 2005**

- (54) **TOWEL HANGER BASE**
- (75) **Inventor:** **Shin-Wang Wu, Taipei (TW)**
- (73) **Assignee:** **Penta Hardware Co., Ltd., Taipei (TW)**
- (**) **Term:** **14 Years**
- (21) **Appl. No.:** **29/202,613**
- (22) **Filed:** **Apr. 2, 2004**
- (51) **LOC (7) Cl.** **23-02**
- (52) **U.S. Cl.** **D6/550**
- (58) **Field of Search** D6/546-550, 518-519, D6/522-524; D8/300, 303, 315-321; 108/28-29; 211/13.1, 16, 60.1, 86.01, 87.01, 88.01, 88.04, 100, 105.1-105.2, 123, 181.1, 182; 248/175, 176.1, 251, 302; 16/110.1, 412, 415; 242/570, 590, 595-598

- D449,948 S * 11/2001 Lai D6/524
- D449,950 S * 11/2001 Lai D6/524
- D465,955 S * 11/2002 Yen D6/550
- D466,347 S * 12/2002 Chen D6/550
- D466,350 S * 12/2002 Tai D6/550
- D469,292 S * 1/2003 Chen et al. D6/550
- D477,945 S * 8/2003 Solowiej D6/524

* cited by examiner

Primary Examiner—Brian N Vinson

(57) **CLAIM**

The ornamental design for towel hanger base, as shown and described.

DESCRIPTION

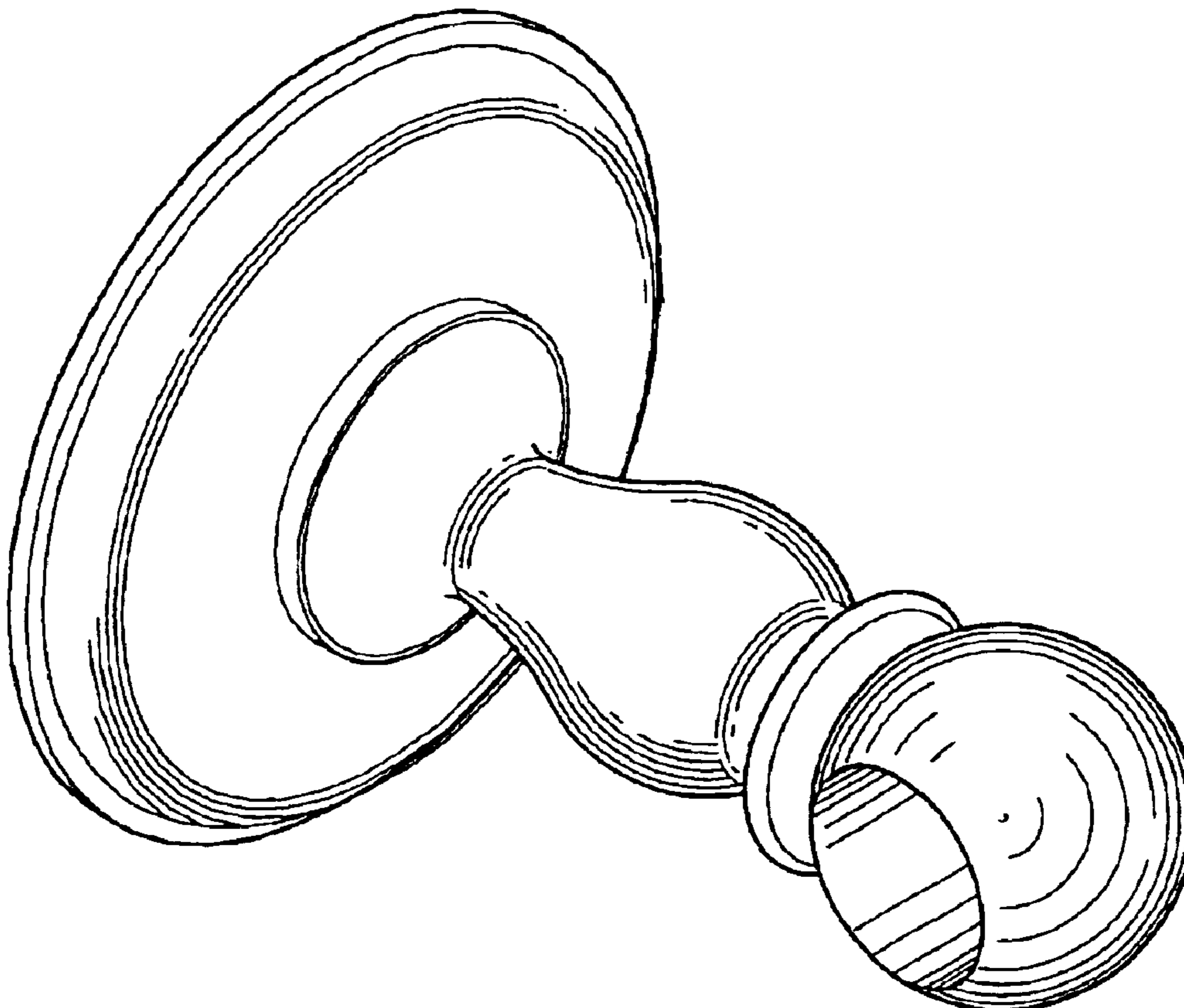
FIG. 1 is a perspective view thereof;
FIG. 2 is a front view thereof;
FIG. 3 is a back view thereof;
FIG. 4 is a left side view thereof;
FIG. 5 is a right side view thereof;
FIG. 6 is a top view thereof; and,
FIG. 7 is a bottom view thereof.

(56) **References Cited**

U.S. PATENT DOCUMENTS

- D431,948 S * 10/2000 Chen D6/524

1 Claim, 4 Drawing Sheets



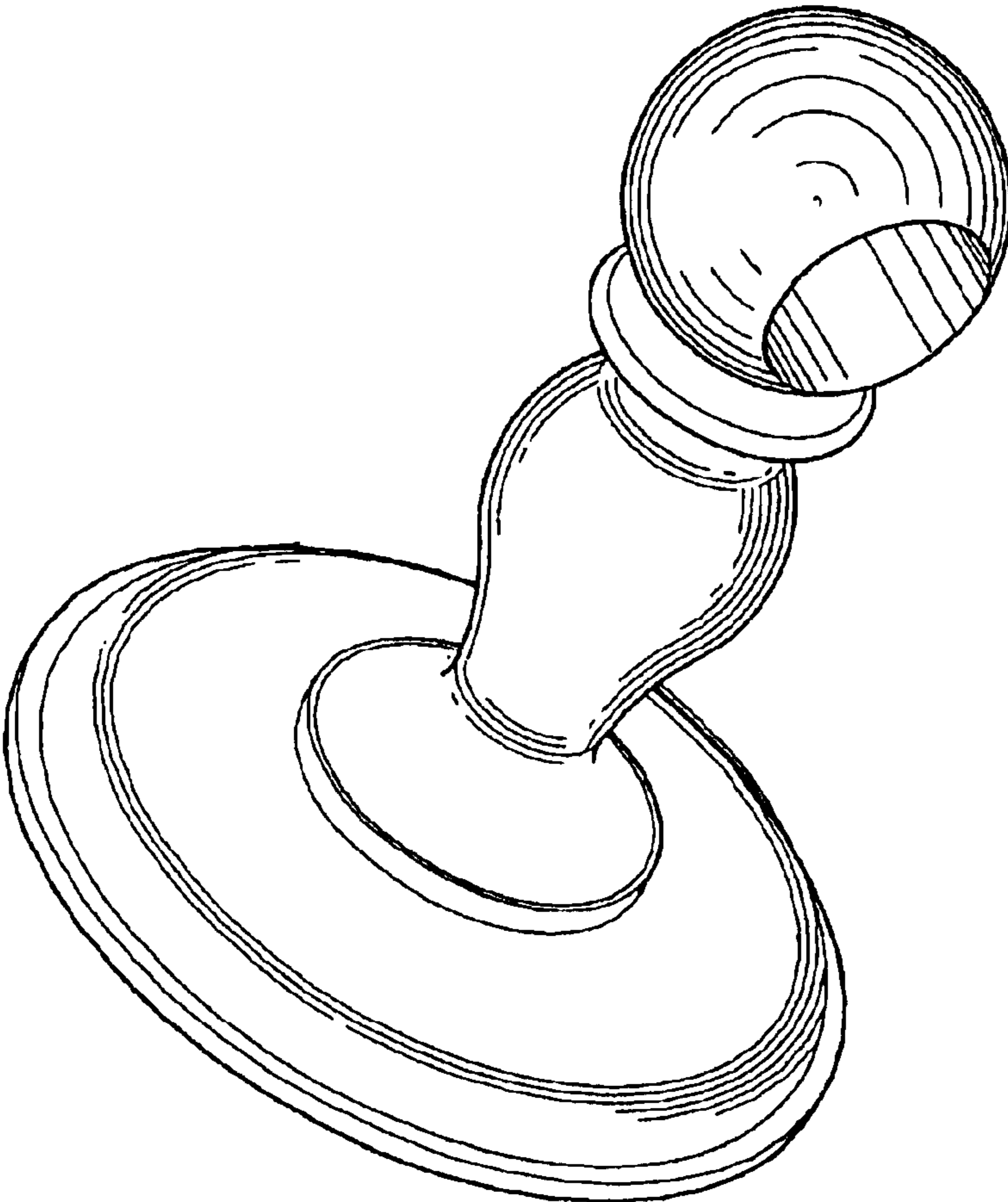


Fig. 1

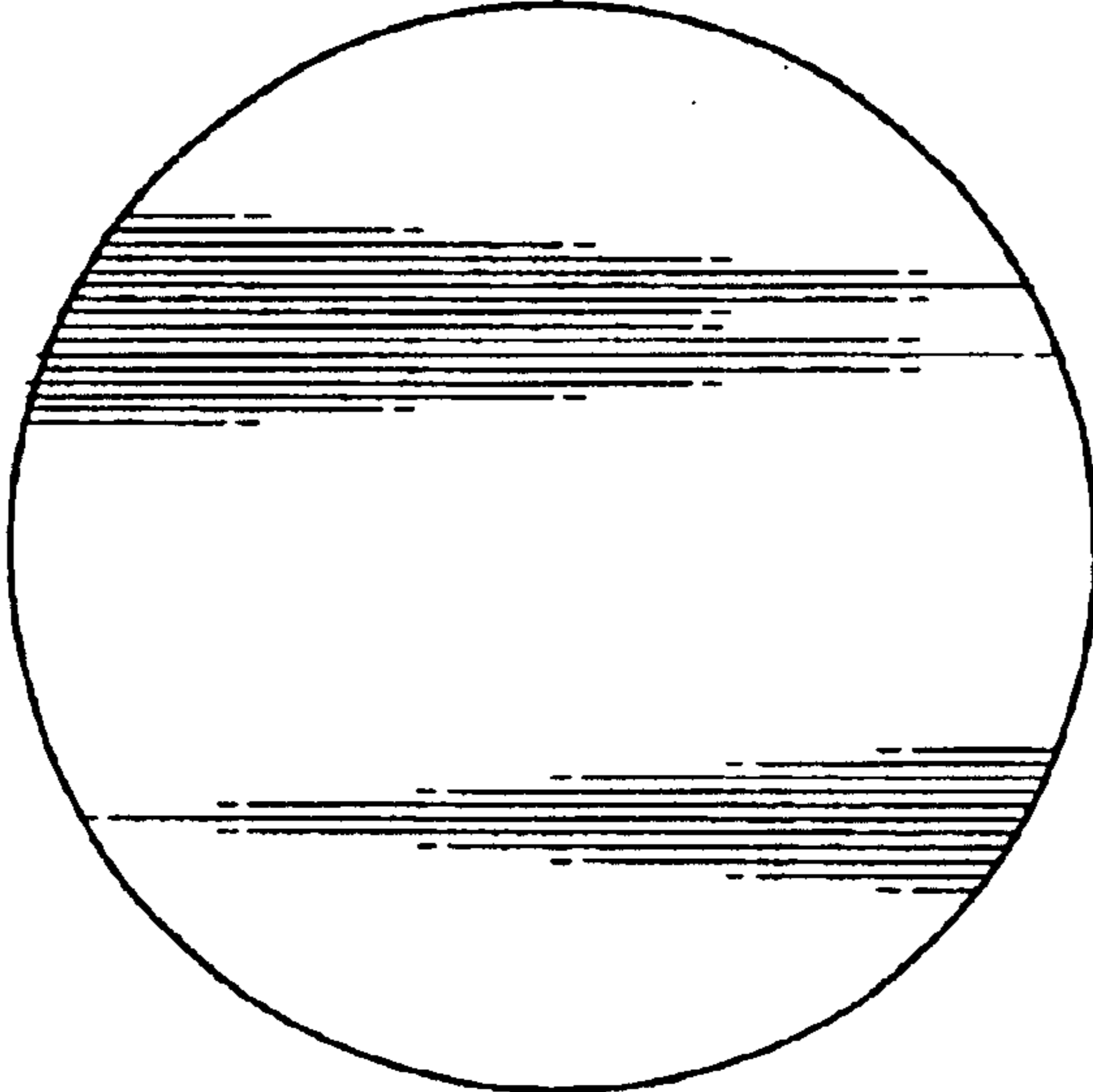


Fig. 3

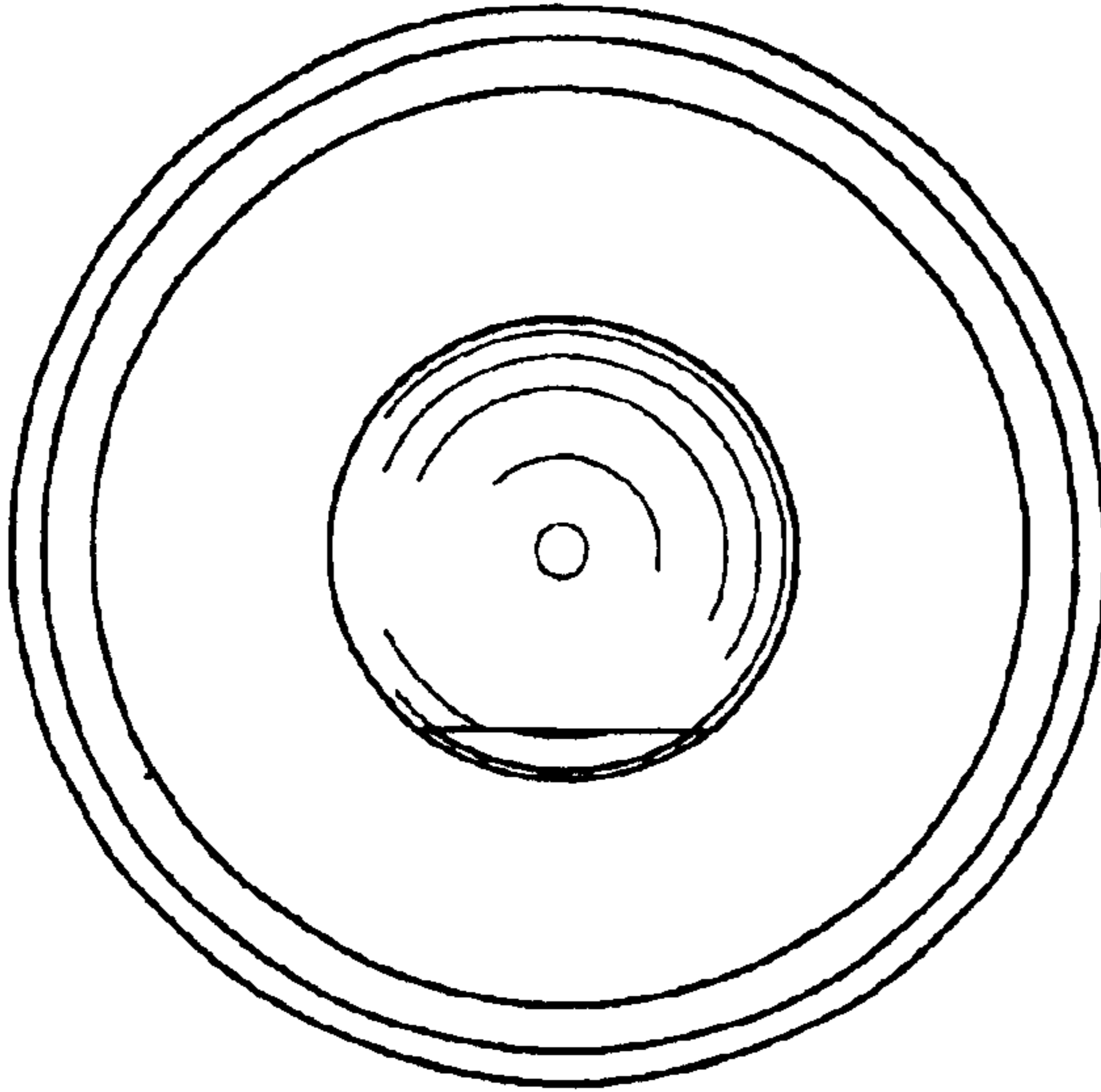


Fig. 2

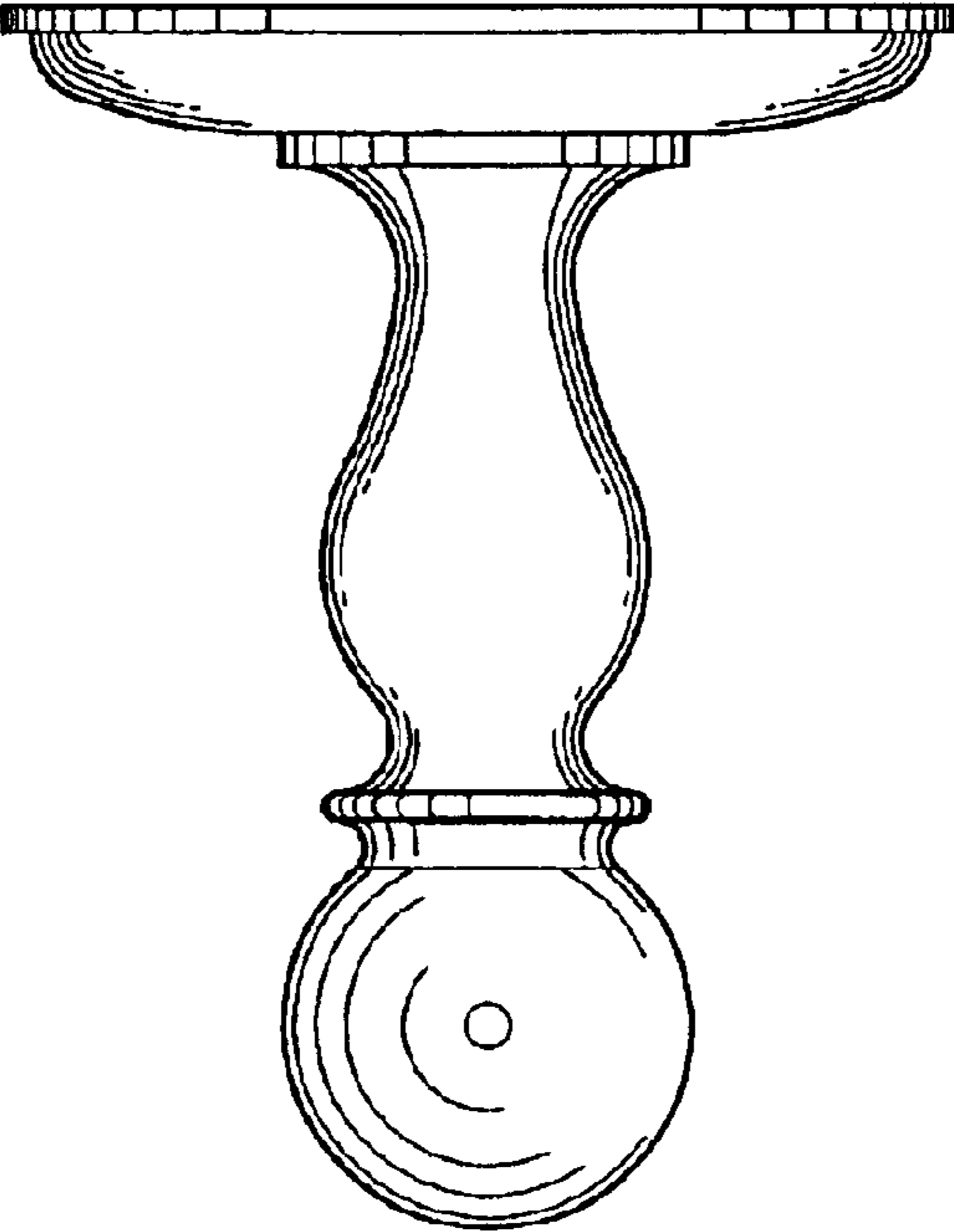


Fig. 5

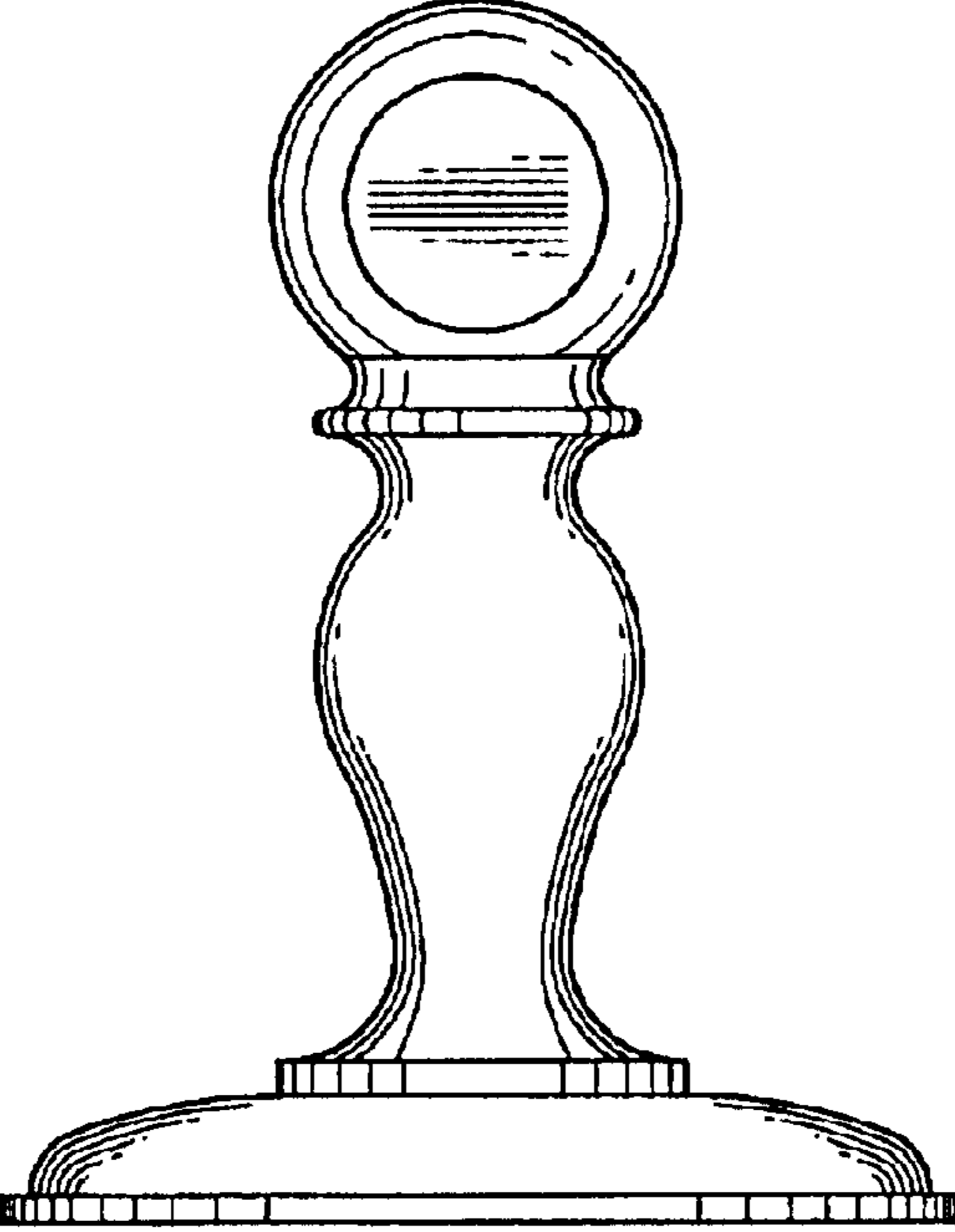


Fig. 4

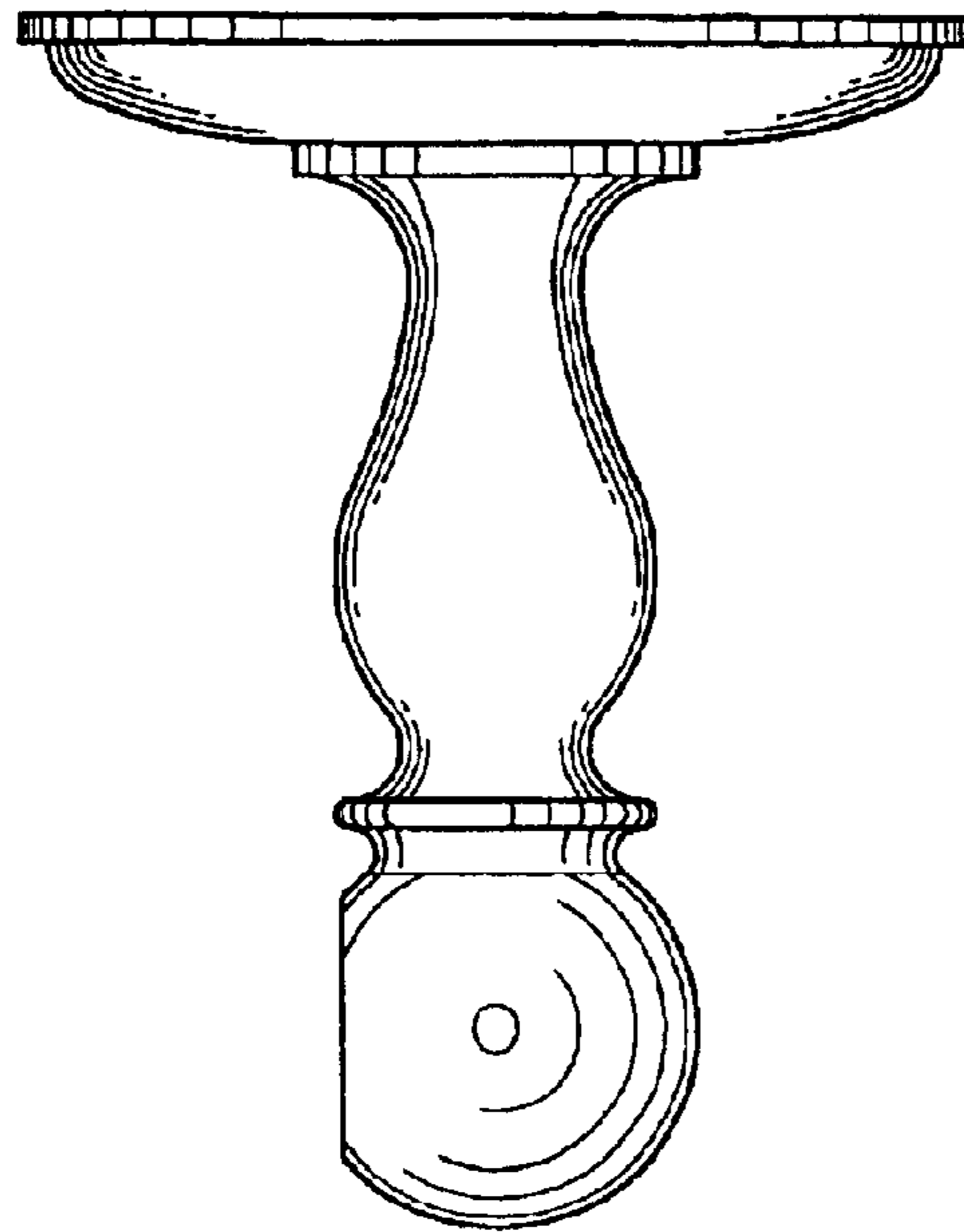


Fig. 6

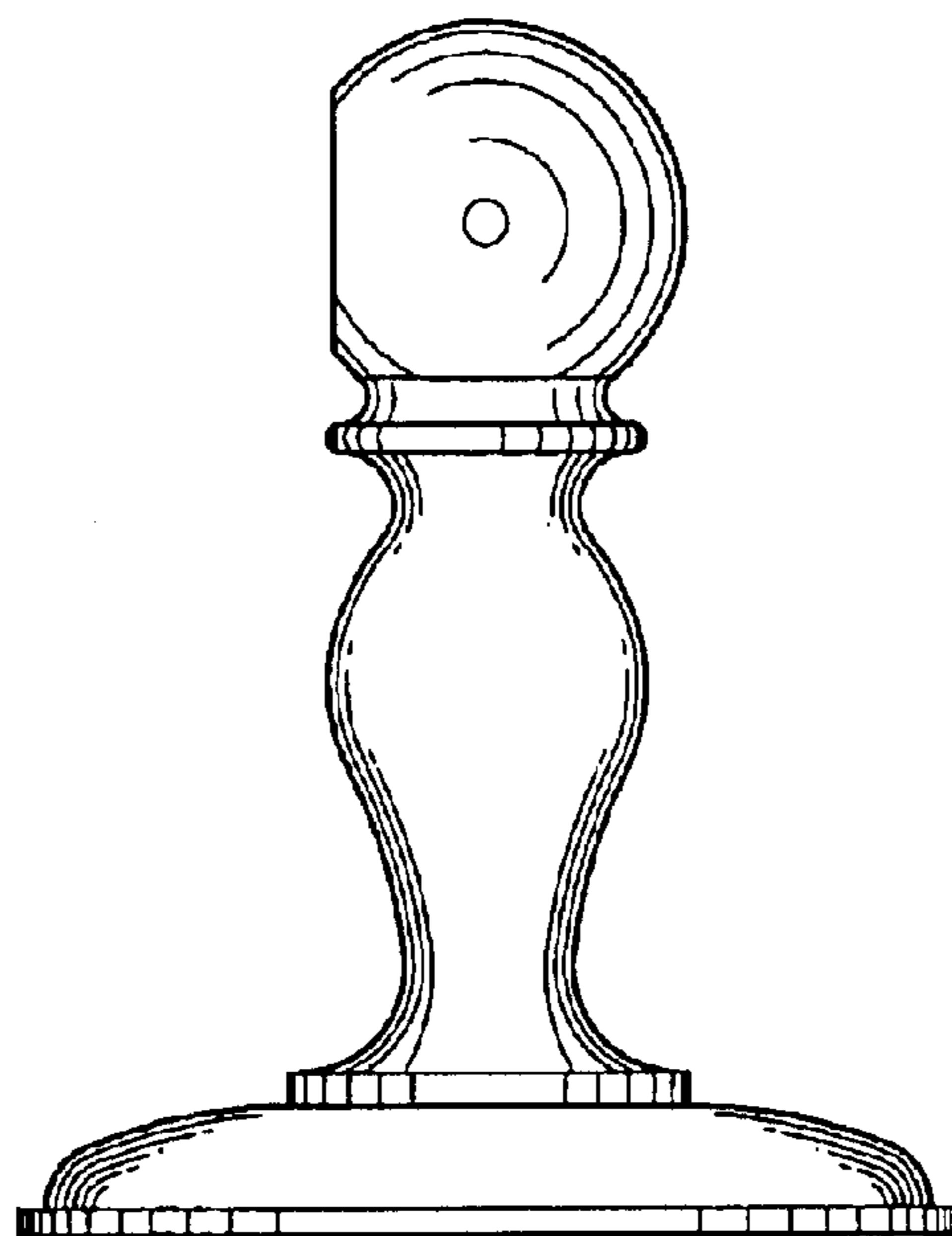


Fig. 7