



US00D501744S

(12) **United States Design Patent** (10) **Patent No.:** **US D501,744 S**
Vanderbloemen (45) **Date of Patent:** **** Feb. 15, 2005**

(54) **SEAT ARM**

(75) Inventor: **David H. Vanderbloemen**, Morganton, NC (US)
 (73) Assignee: **Ferguson Copeland, LLC**, Morganton, NC (US)
 (**) Term: **14 Years**

(21) Appl. No.: **29/178,518**
 (22) Filed: **Mar. 27, 2003**

(51) **LOC (7) Cl.** **06-01**
 (52) **U.S. Cl.** **D6/501; D6/492**
 (58) **Field of Search** D6/334, 335, 336,
 D6/364, 371, 377, 381, 492, 500-502;
 297/232, 445.1, 411.2

(56) **References Cited**

U.S. PATENT DOCUMENTS

D174,929 S * 6/1955 Spound D6/381
 D315,454 S * 3/1991 Hamilton D6/334
 D439,752 S * 4/2001 Natuzzi et al. D6/334
 D480,567 S * 10/2003 Ricci D6/334

OTHER PUBLICATIONS

Illums Bolighus, p. 64, chair #18348 shown, c May 1961.*
 Chair, Canterbury Collection, Ferguson Copeland, Ltd. undated.
 Chair, Sleigh Collection, Ferguson Copeland, Ltd. undated.
 Chair, Winston Collection, Ferguson Copeland, Ltd. undated.
 Sofa, Rodeo Collection, Ferguson Copeland, Ltd. undated.

Chair, Rodeo Collection, Ferguson Copeland, Ltd. undated.
 Left Arm Loveseat, Rodeo Collection, Ferguson Copeland, Ltd. undated.
 Sofa, Allyson Collection, Ferguson Copeland, Ltd. undated.
 Chair, Dressmaker Collection, Ferguson Copeland, Ltd. undated.

* cited by examiner

Primary Examiner—Gary D. Watson

(74) *Attorney, Agent, or Firm*—Womble Carlyle Sandridge & Rice, PLLC

(57) **CLAIM**

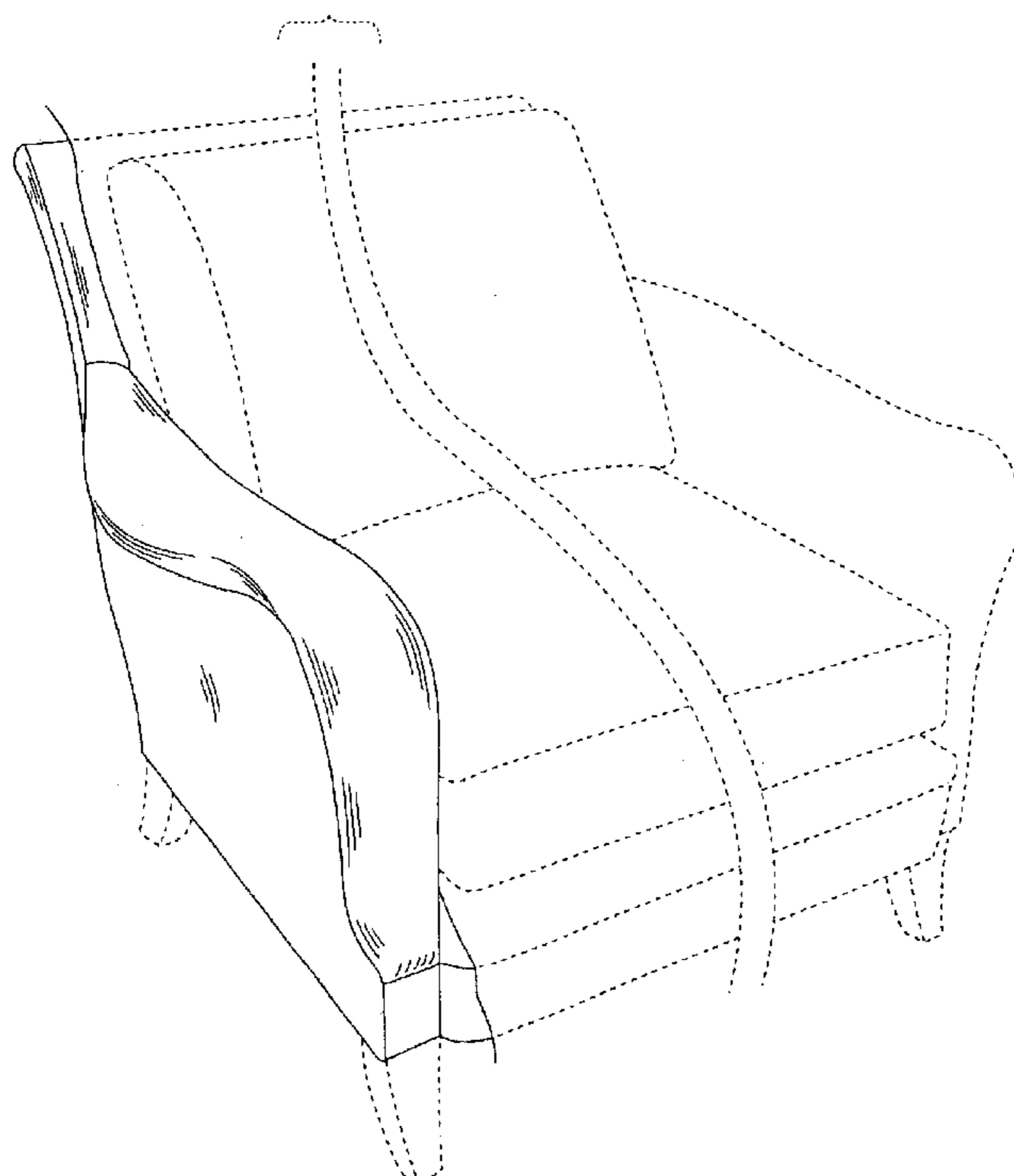
The ornamental design for a seat arm, as shown and described.

DESCRIPTION

FIG. 1 is a left front perspective view of a seat arm showing my new design;
 FIG. 2 is a left front perspective view shown in a representative position;
 FIG. 3 is a left rear perspective view thereof;
 FIG. 4 is a side elevational view of a left seat arm;
 FIG. 5 is a front elevational view thereof;
 FIG. 6 is a rear elevational view thereof; and,
 FIG. 7 is a top view thereof.

The views of the seat arm not shown form no part of the claimed design. The dashed lines represent environmental elements only and form no part of the claimed design. The separations and brackets indicate that the precise length of the seat for use thereon is not claimed.

1 Claim, 7 Drawing Sheets



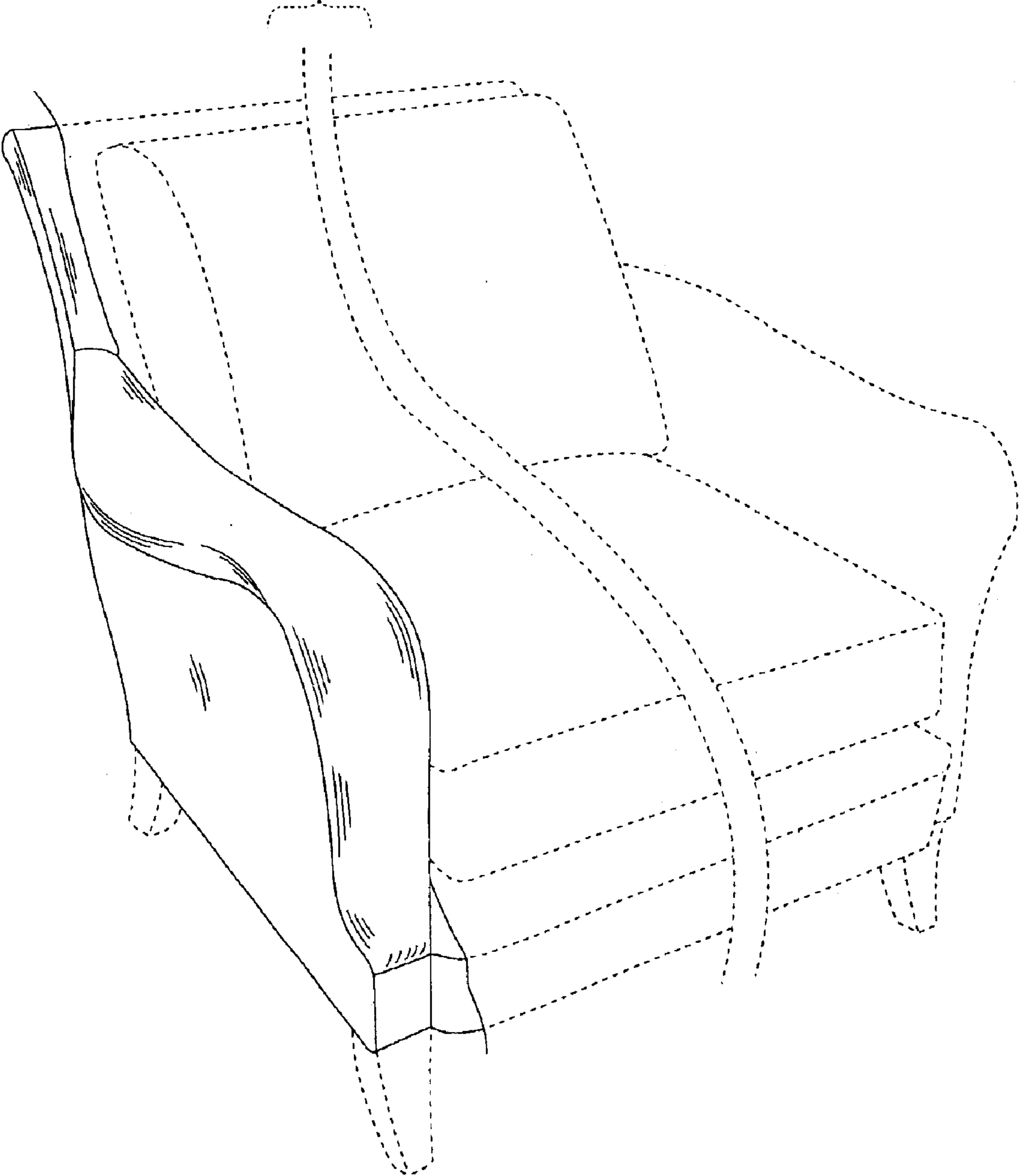


FIG. 1

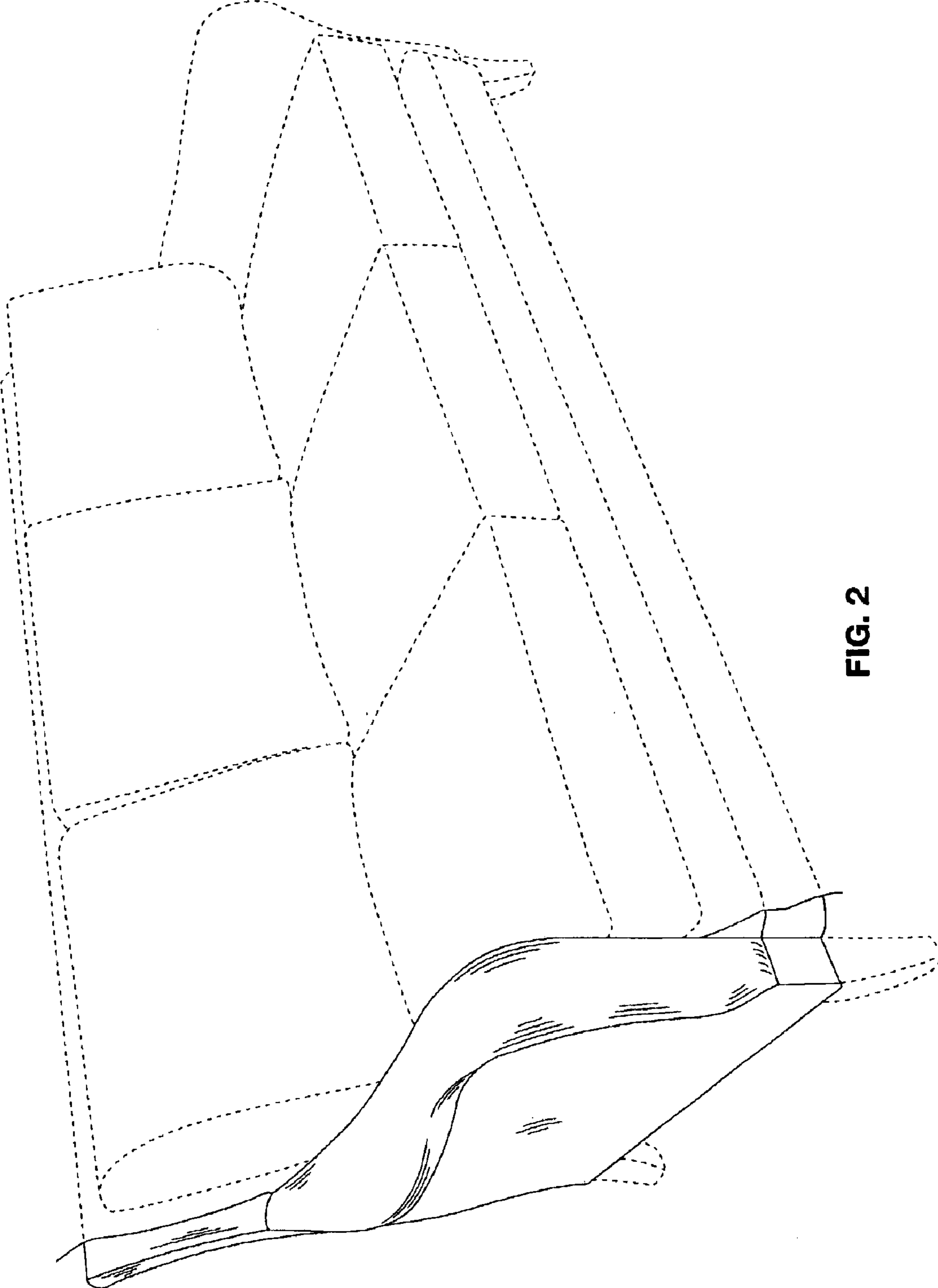


FIG. 2

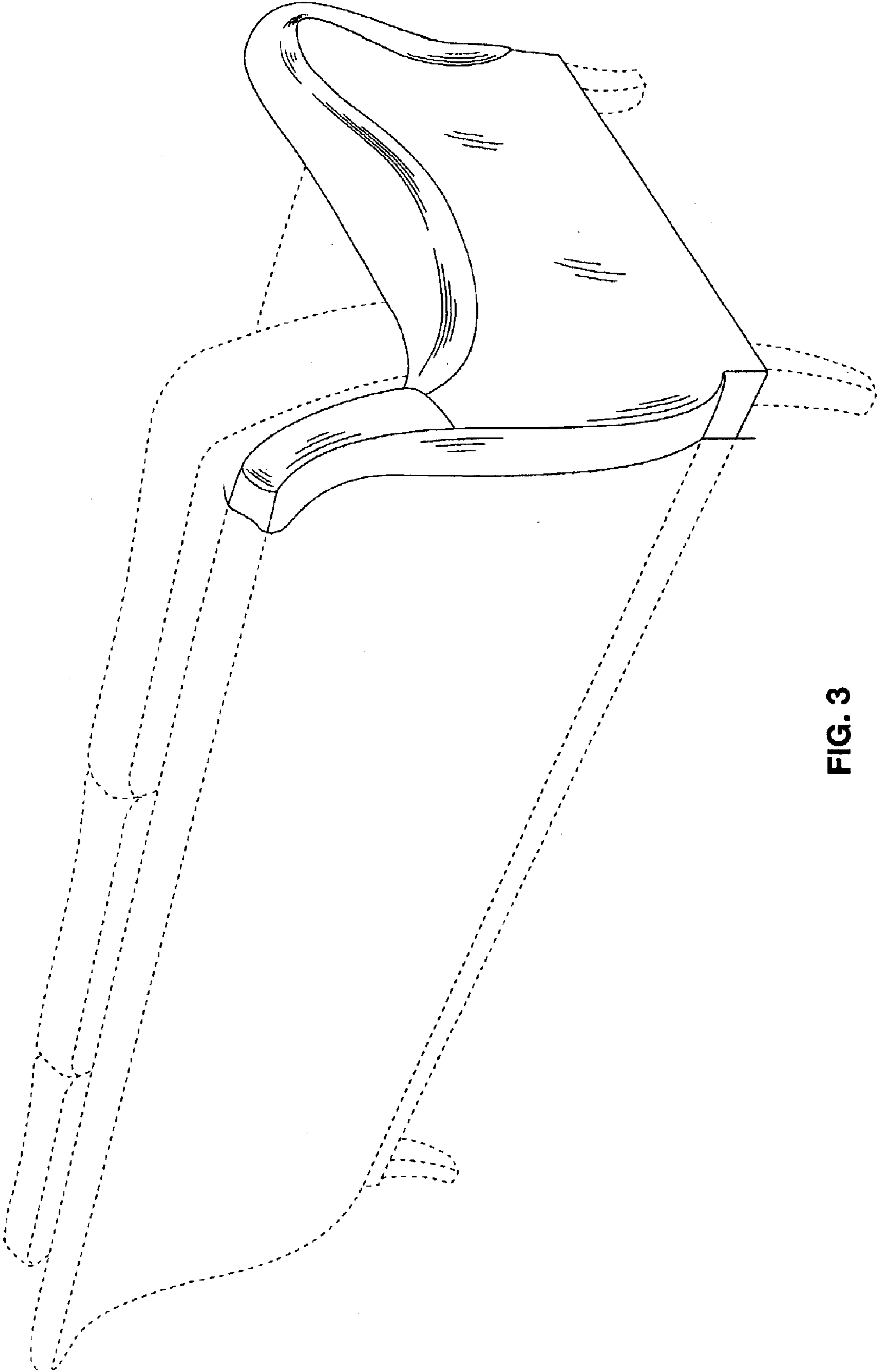


FIG. 3

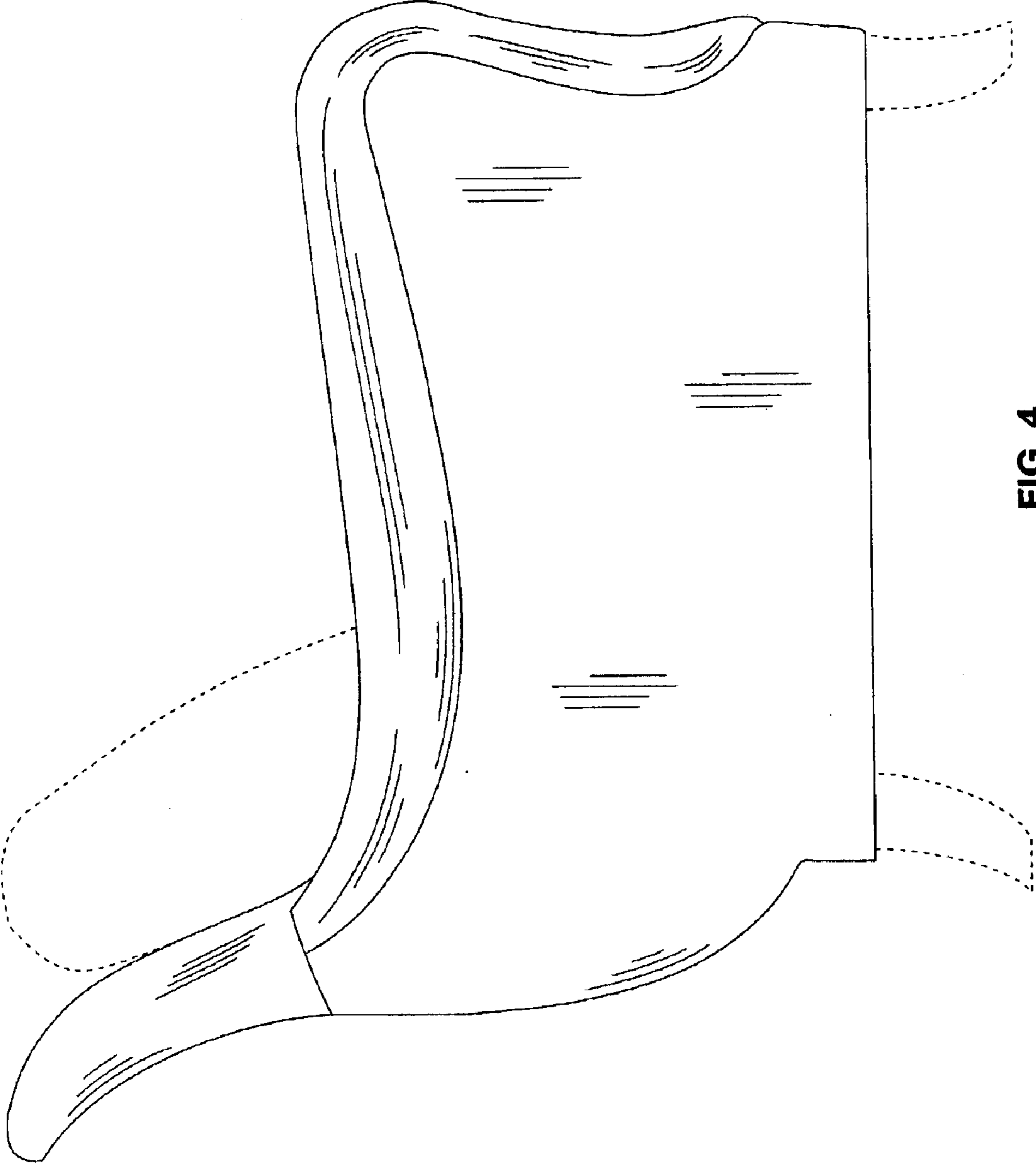


FIG. 4

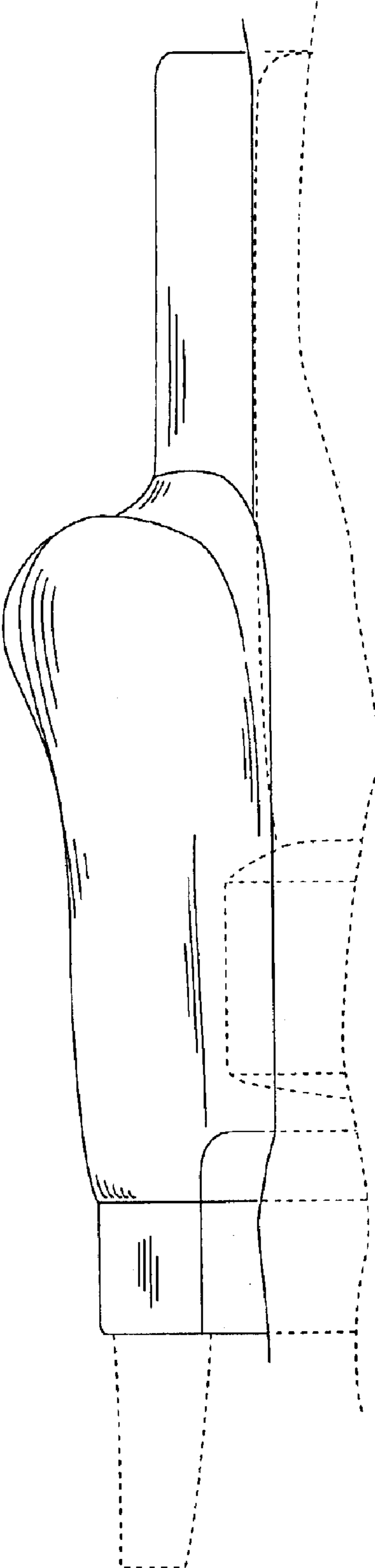


FIG. 5

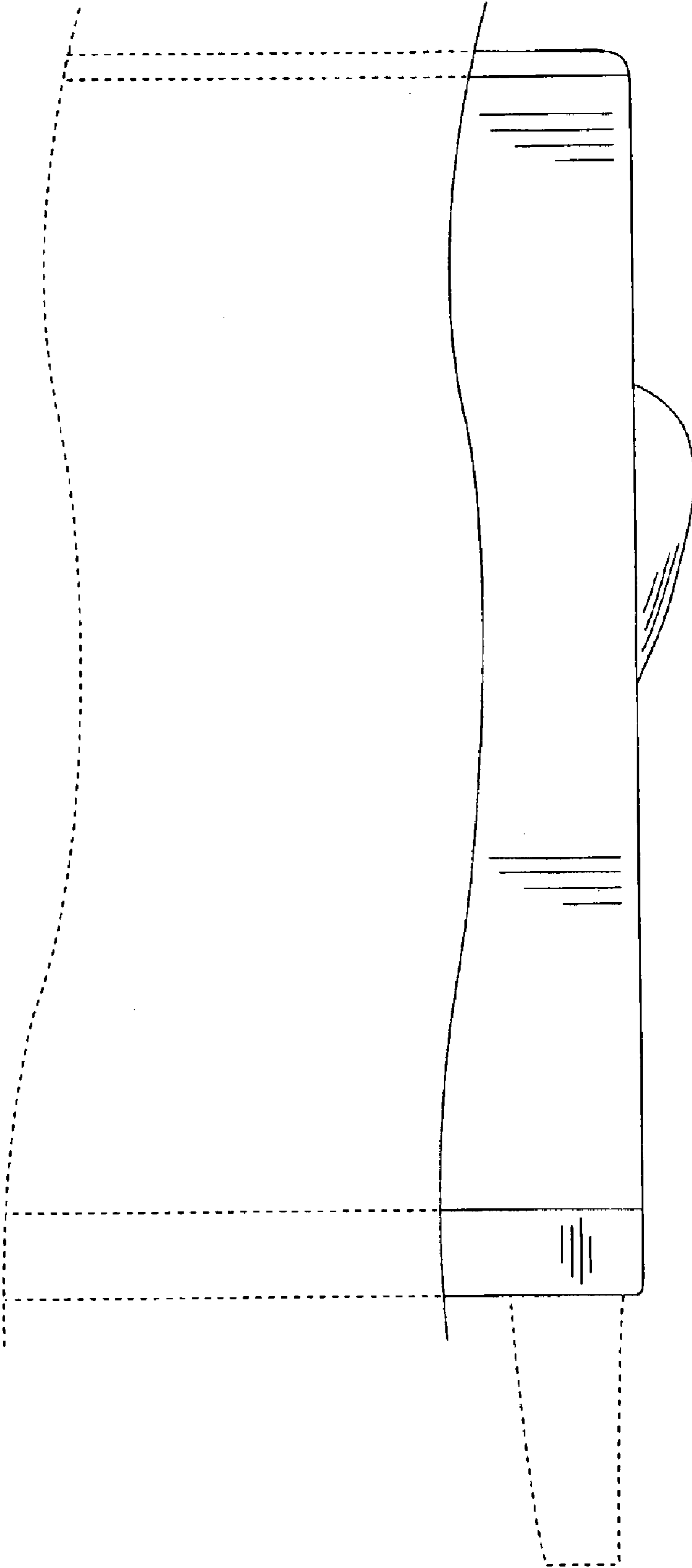


FIG. 6

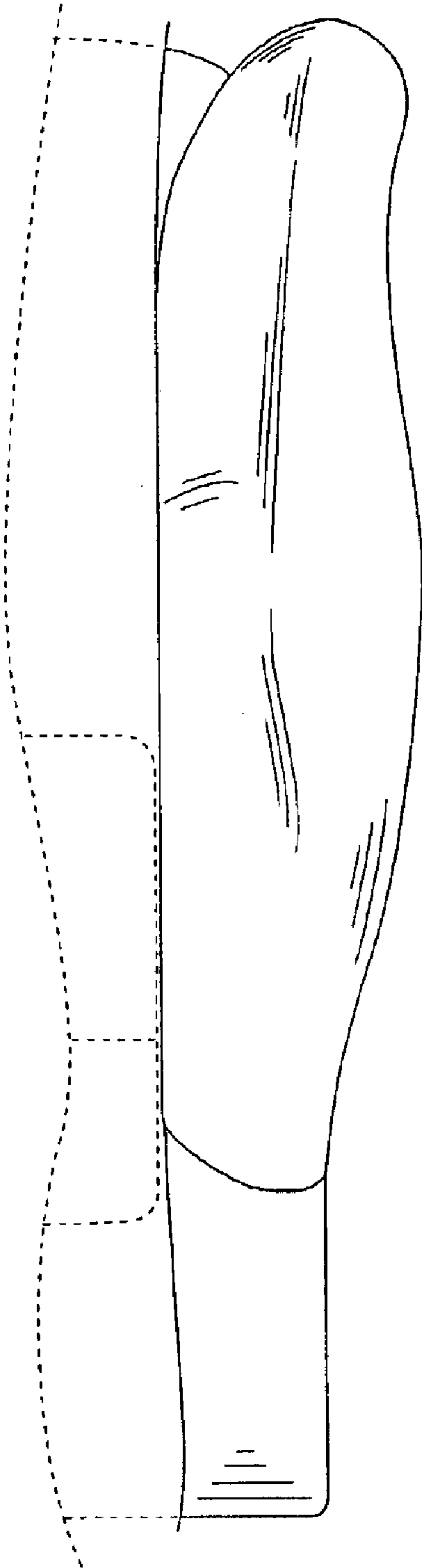


FIG. 7