



US00D501742S

(12) **United States Design Patent**  
**Collins, III**

(10) **Patent No.:** **US D501,742 S**  
(45) **Date of Patent:** **\*\* Feb. 15, 2005**

(54) **SEE-THROUGH THEME VESSEL TABLE**

D368,193 S 3/1996 Walters

(76) **Inventor:** **James H. Collins, III**, 2029 Park Ter.  
SE, Decatur, AL (US) 35602

\* cited by examiner

*Primary Examiner*—Janice E. Seeger

(\*\*) **Term:** **14 Years**

(57) **CLAIM**

(21) **Appl. No.:** **29/172,975**

The ornamental design for a see-through theme vessel table,  
as shown and described.

(22) **Filed:** **Dec. 20, 2002**

(51) **LOC (7) Cl.** ..... **06-03**

(52) **U.S. Cl.** ..... **D6/486**

(58) **Field of Search** ..... D6/480–489, 495,  
D6/511, 429, 451, 470; 108/150, 153.1,  
155, 156, 157.1, 161, 25, 33, 38; 248/188

**DESCRIPTION**

FIG. 1 is a top perspective view of the see-through theme vessel table, showing my design.

FIG. 2 is a side elevation view thereof.

FIG. 3 is a top plan view thereof.

FIG. 4 is a bottom plan view thereof; and,

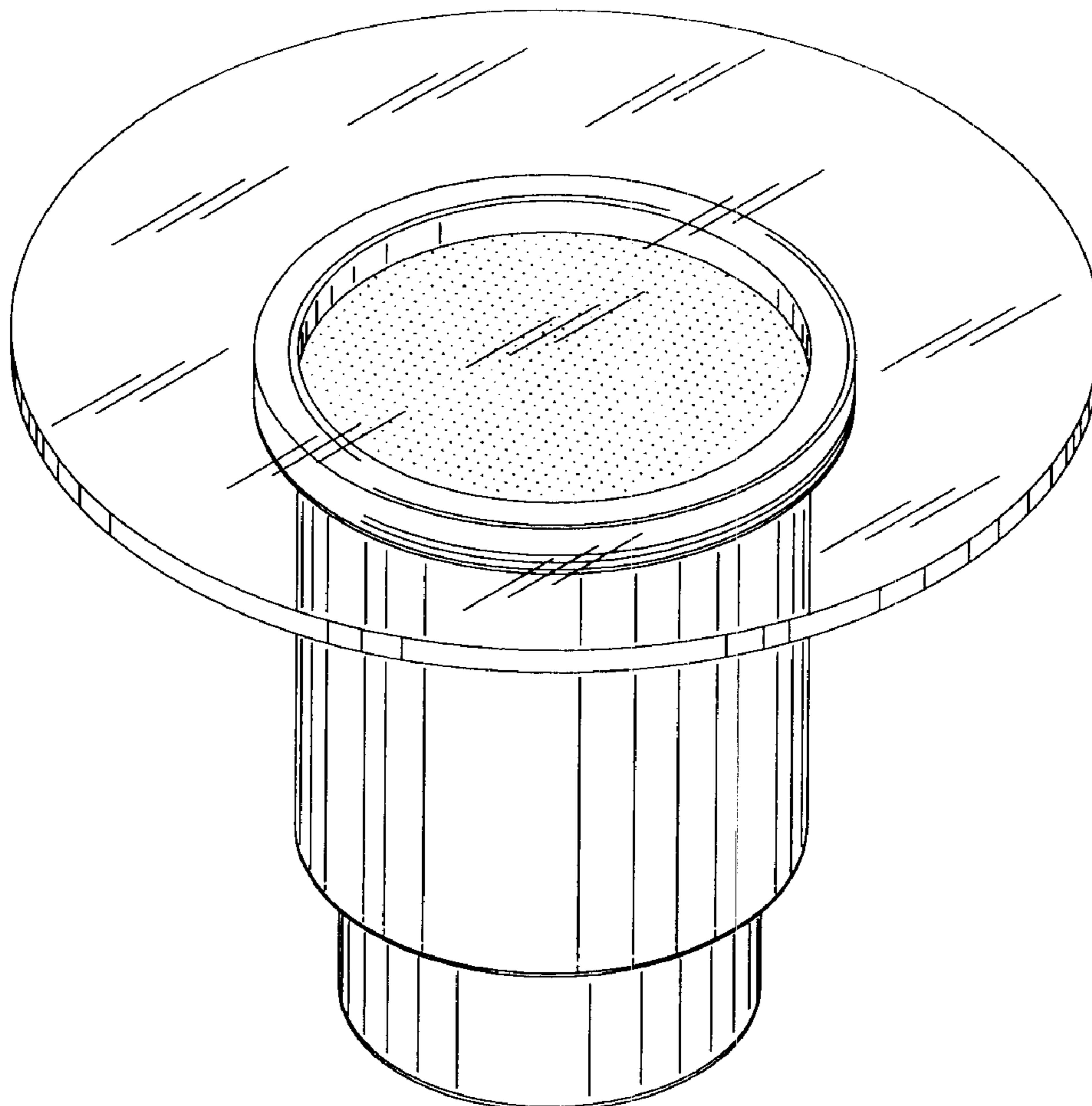
FIG. 5 is a top perspective view thereof showing display items in the theme vessel below the see-through table top, the showing of the display items being for illustrative purposes only and forming no part of the claimed design.

(56) **References Cited**

**U.S. PATENT DOCUMENTS**

D238,133 S	*	12/1975	Uebele	.....	D6/470
D297,290 S	*	8/1988	Close	.....	D6/429
D329,555 S	*	9/1992	Tenhove	.....	D6/486
D338,359 S	*	8/1993	Sorenson	.....	D6/486

**1 Claim, 3 Drawing Sheets**



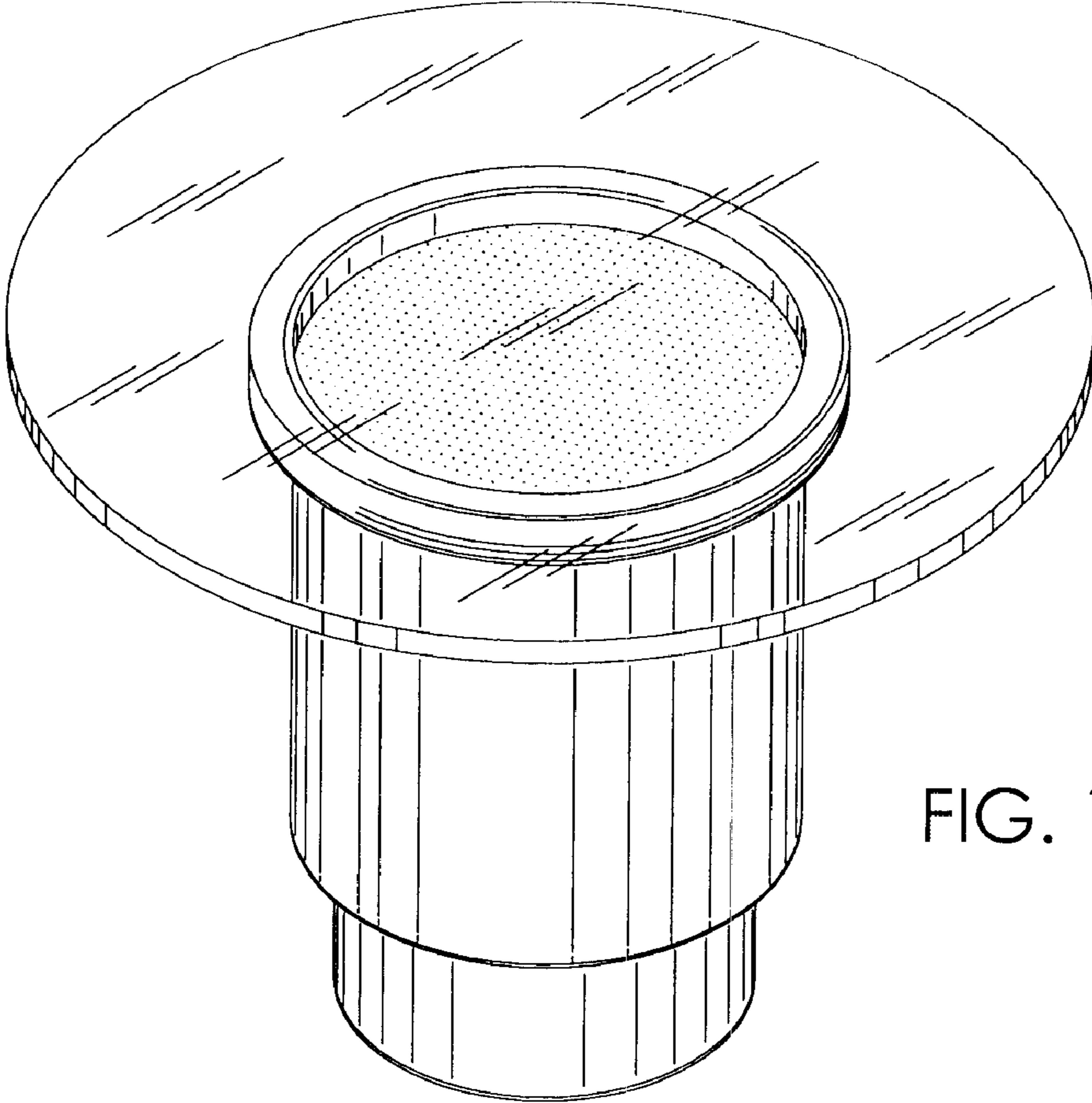


FIG. 1

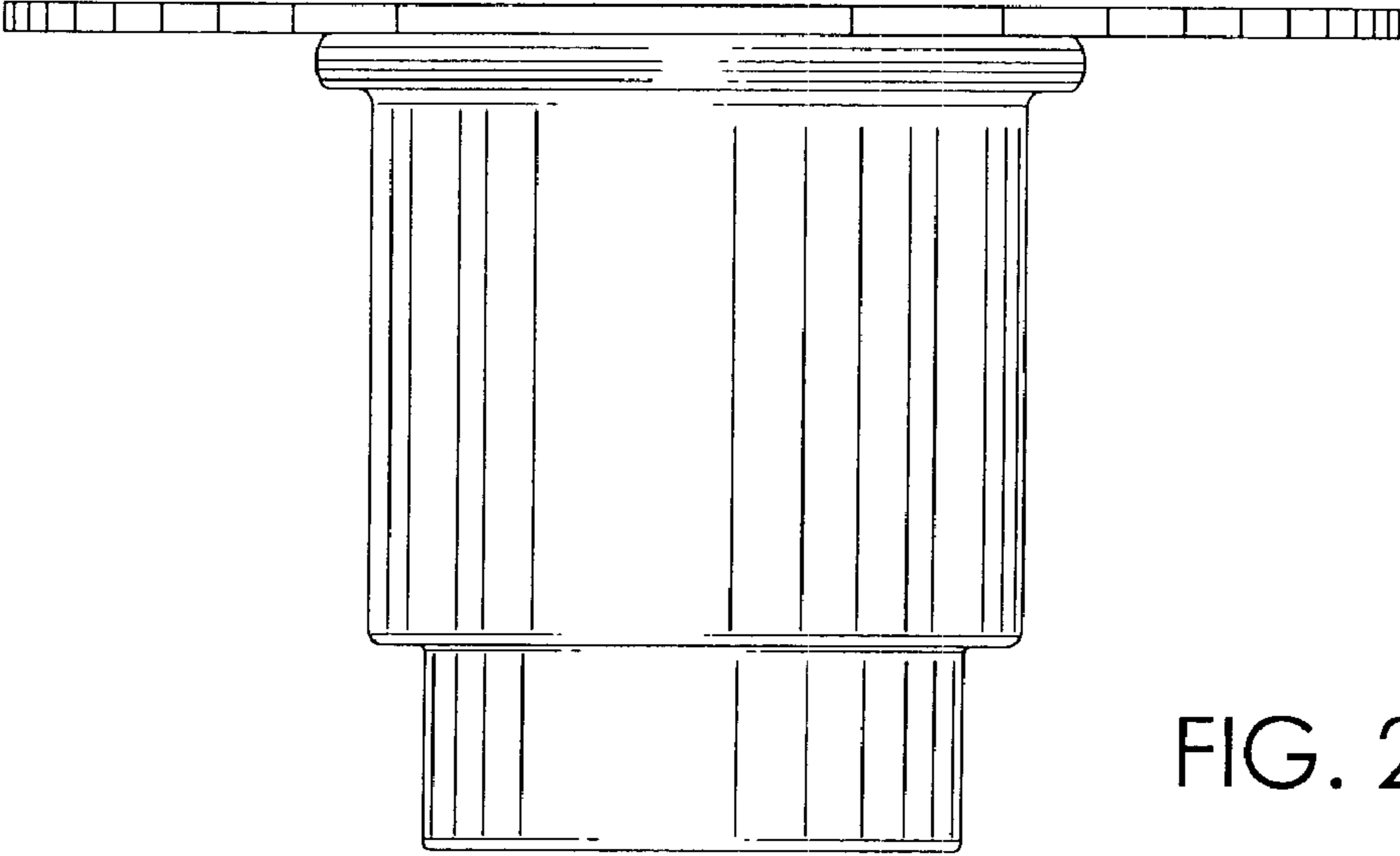


FIG. 2

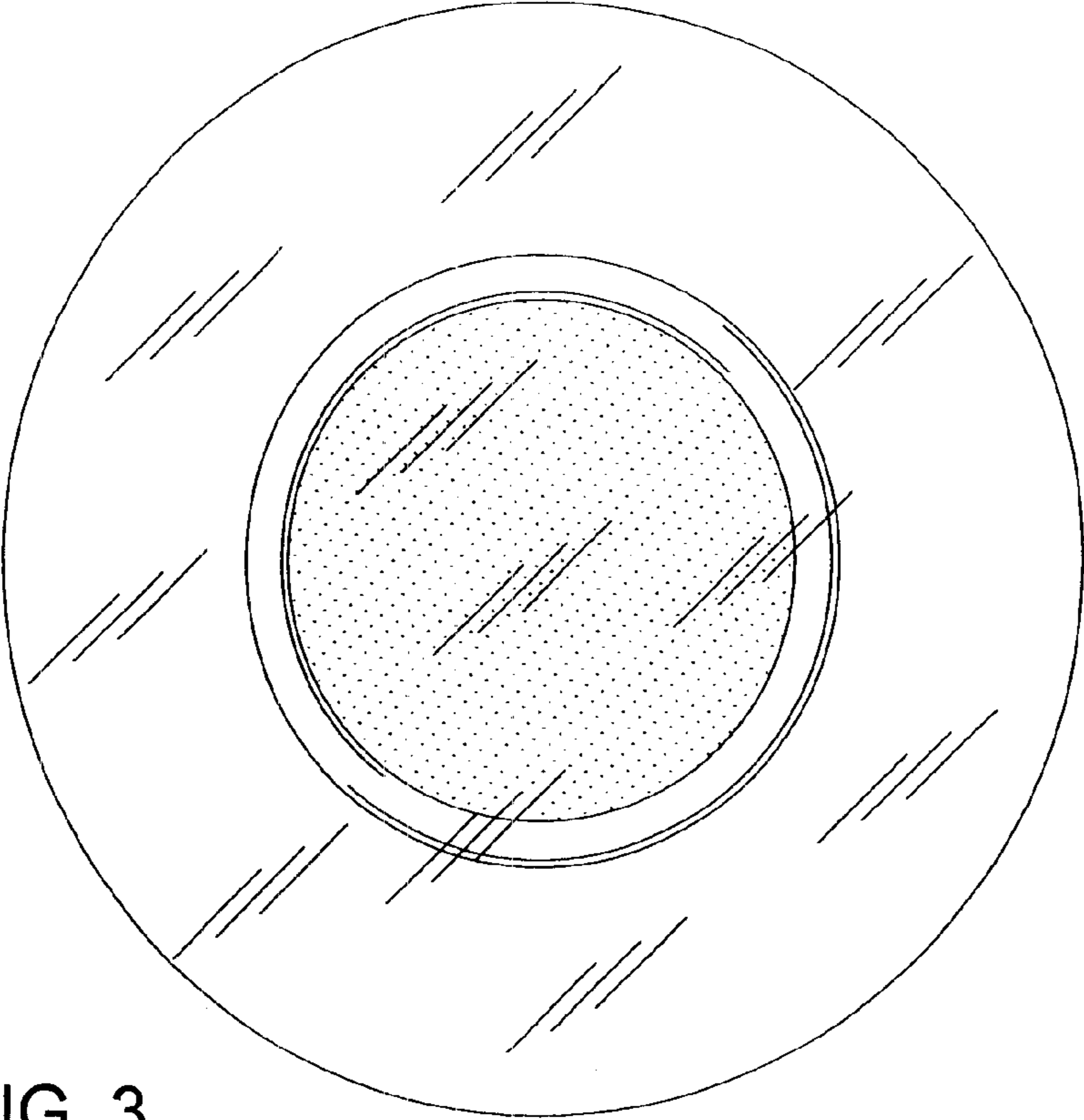


FIG. 3

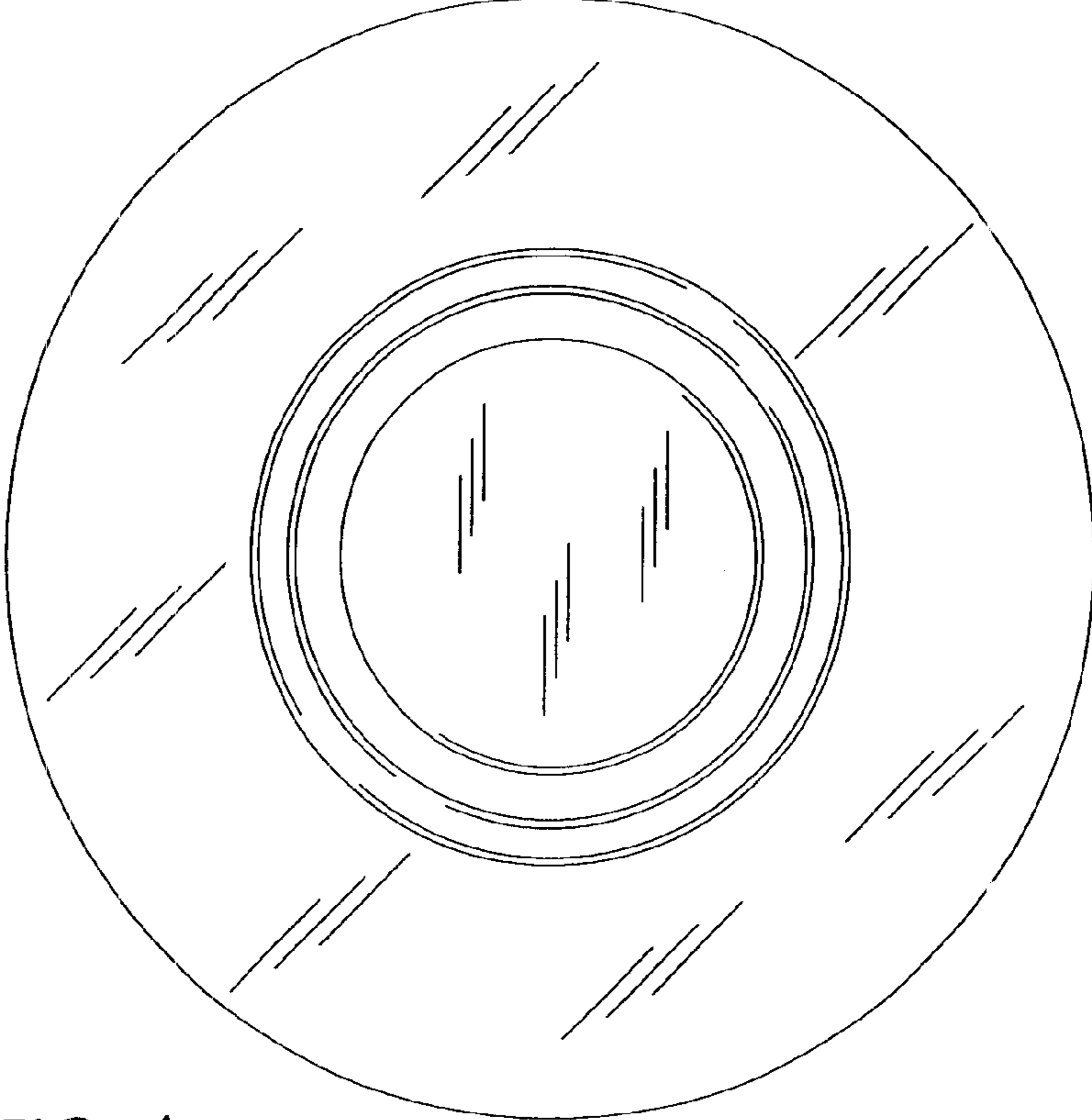


FIG. 4

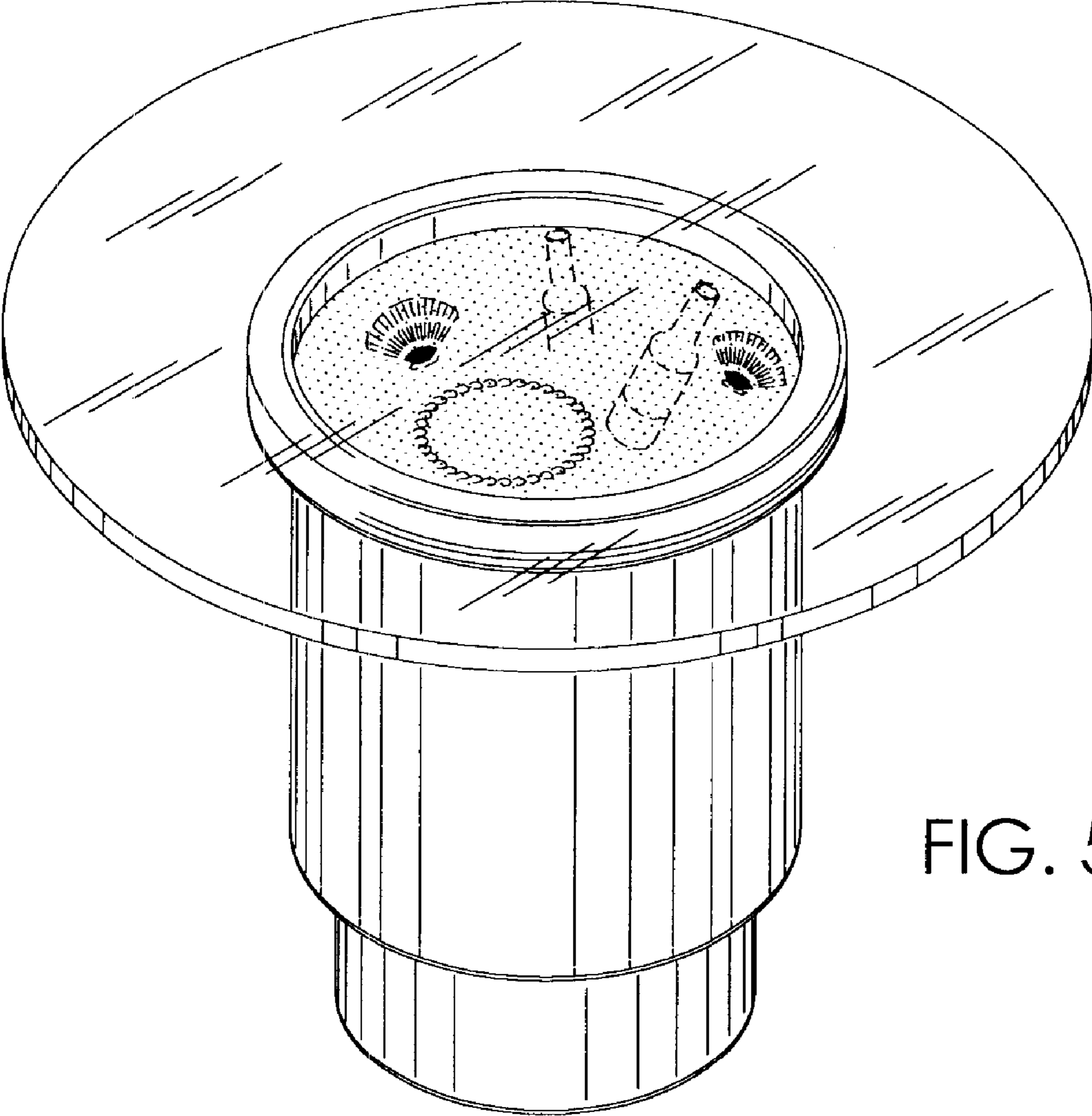


FIG. 5