

US00D501741S

(12) **United States Design Patent**
Risdall

(10) **Patent No.:** **US D501,741 S**

(45) **Date of Patent:** **** Feb. 15, 2005**

(54) **TWO STUDENT ARC DESK**

(75) **Inventor:** **William T. Risdall**, Addison, TX (US)

(73) **Assignee:** **Smith System Manufacturing Company**, Plano, TX (US)

(**) **Term:** **14 Years**

(21) **Appl. No.:** **29/198,836**

(22) **Filed:** **Feb. 5, 2004**

(51) **LOC (7) Cl.** **06-03**

(52) **U.S. Cl.** **D6/480**

(58) **Field of Search** D6/480-489, 511,
D6/495-499, 429; 108/150, 153.1, 155,
156, 157.1, 161; 248/188, 188.1, 188.8

(56) **References Cited**

U.S. PATENT DOCUMENTS

D257,653 S	*	12/1980	Berlic	D6/480
D437,152 S	*	2/2001	Brown et al.	D6/495
D440,798 S	*	4/2001	Kuhlman et al.	D6/511
D442,395 S	*	5/2001	McClintock et al.	D6/480
D470,349 S	*	2/2003	Risdall	D6/495
D480,583 S	*	10/2003	Risdall	D6/483

OTHER PUBLICATIONS

Brisk Desk Systems, trapezoidal tabletop shape at bottom left corner.*

* cited by examiner

Primary Examiner—Janice E. Seeger

(74) *Attorney, Agent, or Firm*—Thompson Coburn, LLP

(57) **CLAIM**

The ornamental design for a two student arc desk, as shown and described.

DESCRIPTION

FIG. 1 is a front perspective view of a two student arc desk employing my novel design;

FIG. 2 is a front, side perspective view of the desk of FIG. 1;

FIG. 3 is a back, side perspective view of the desk of FIG. 1;

FIG. 4 is an elevation view of the front of the desk;

FIG. 5 is an elevation view of the back of the desk;

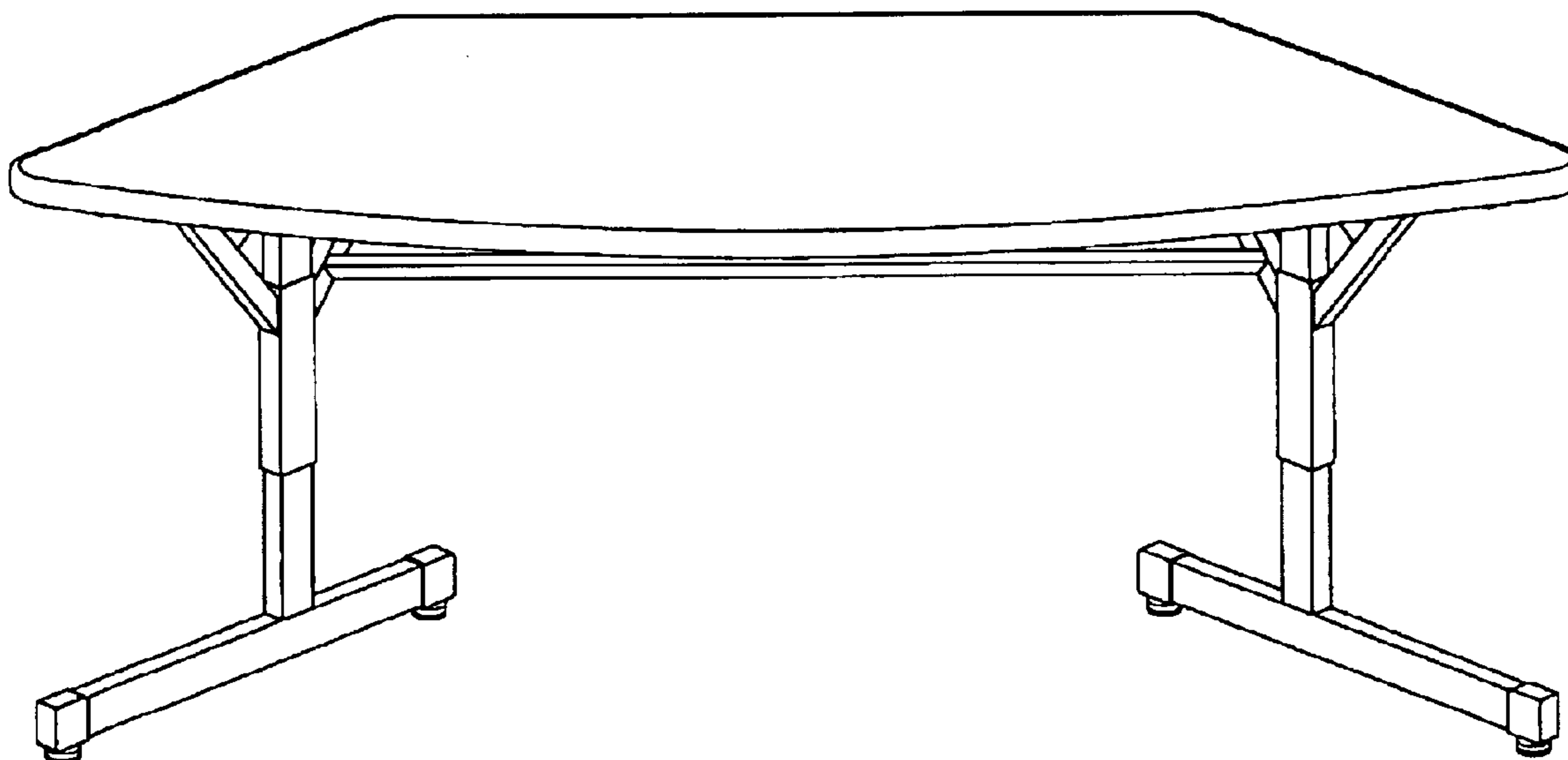
FIG. 6 is an elevation view of the left side of the desk;

FIG. 7 is an elevation view of the right side of the desk;

FIG. 8 is a plan view of the top of the desk; and,

FIG. 9 is a plan view of the bottom of the desk.

1 Claim, 3 Drawing Sheets



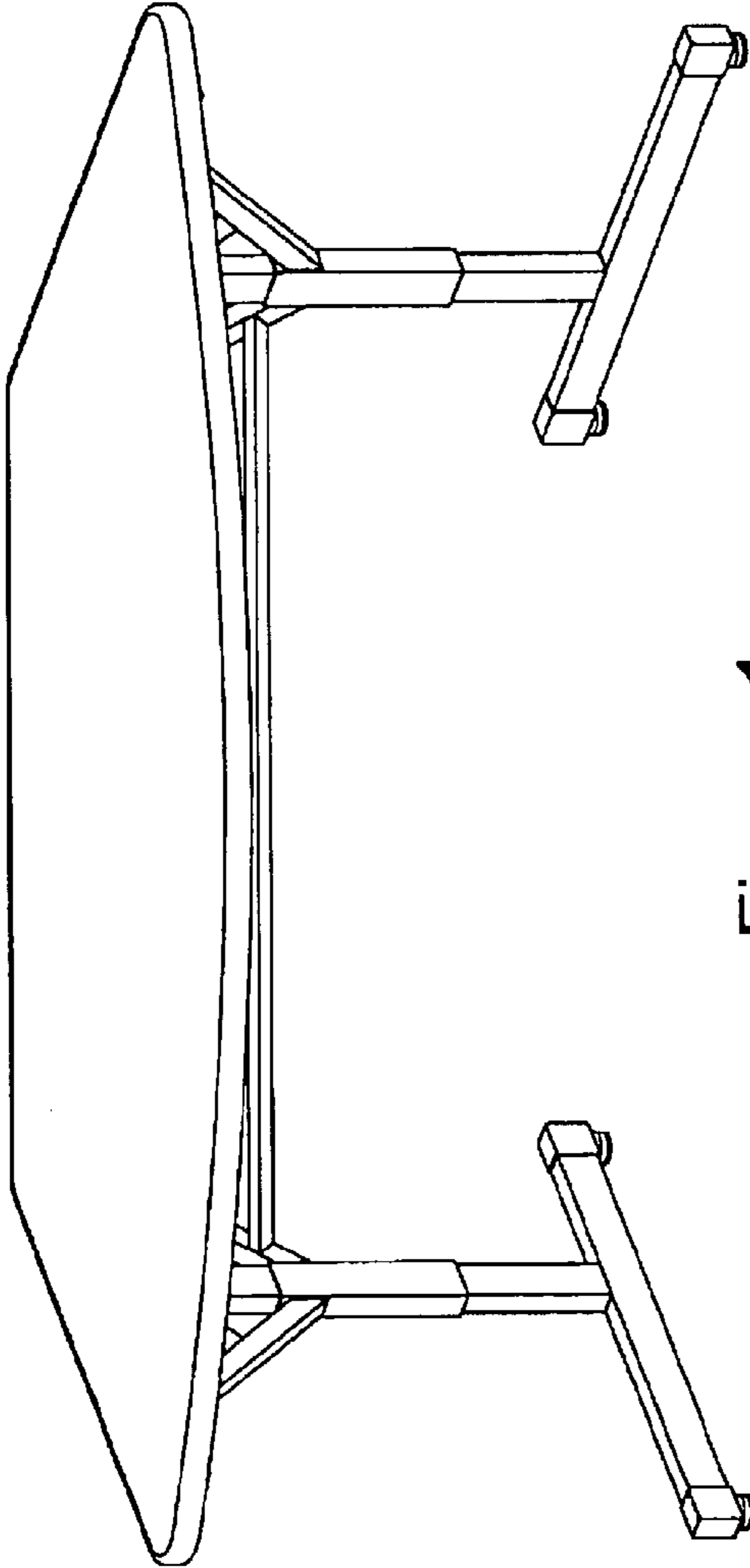


Figure 1

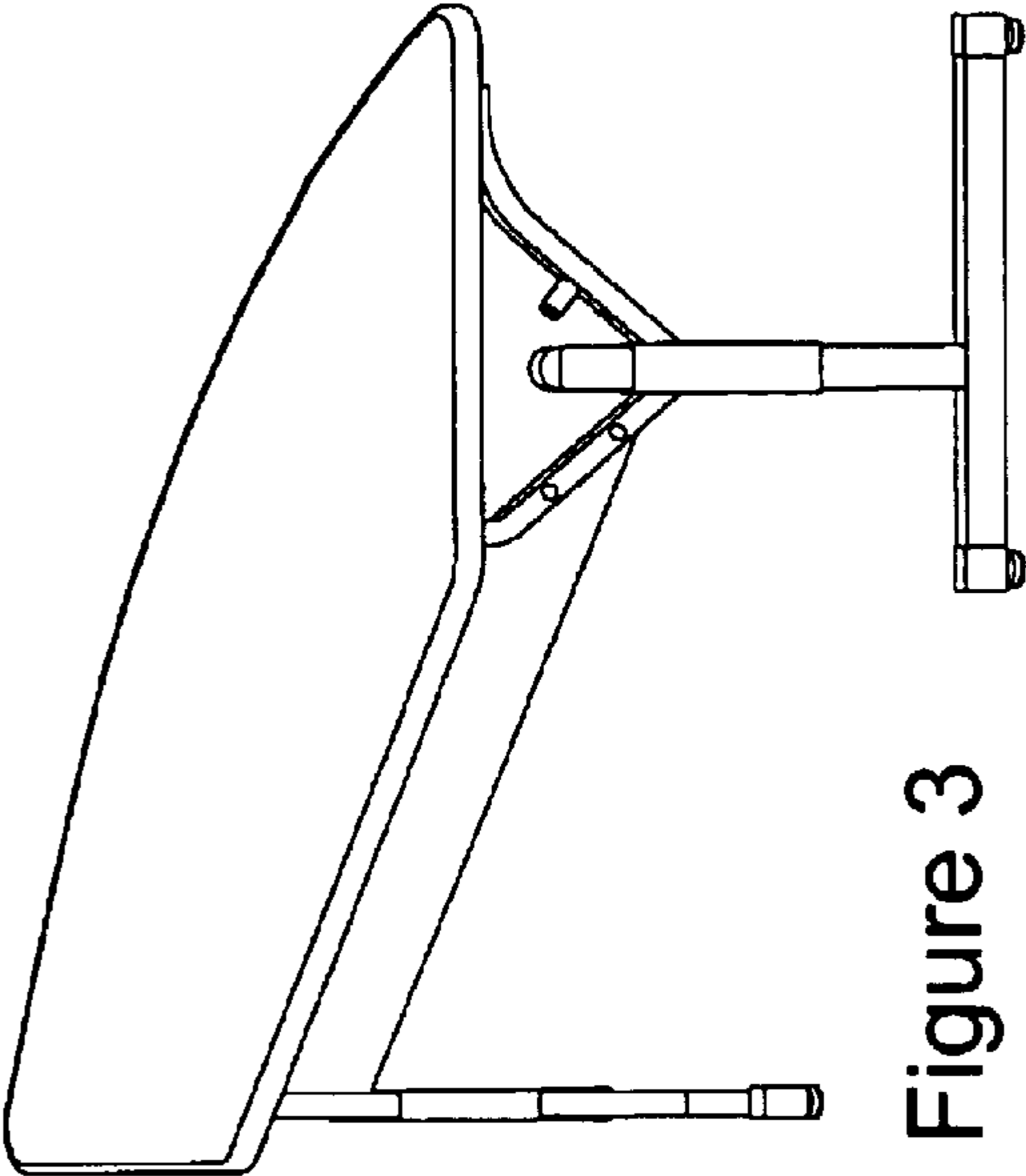


Figure 3

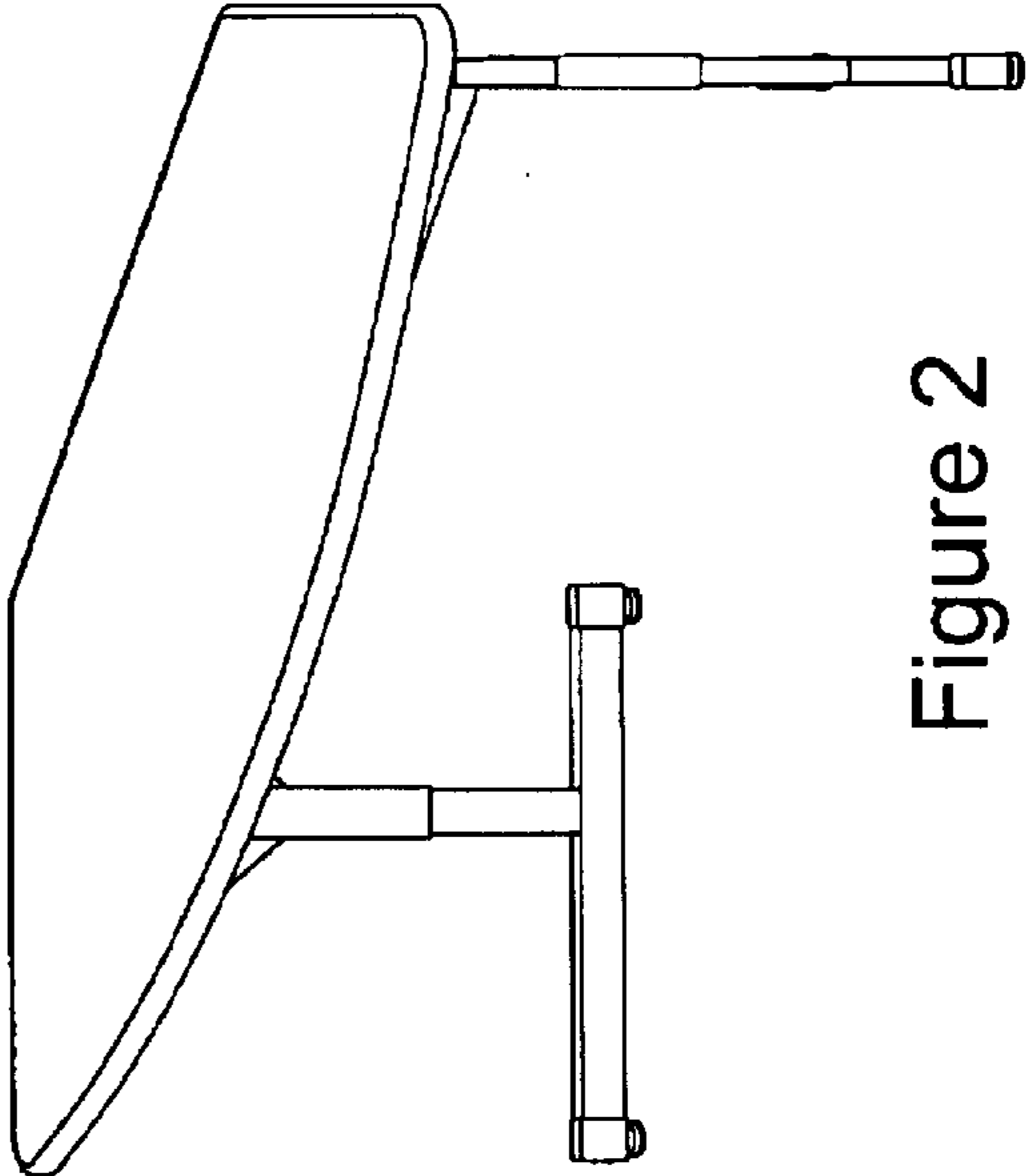


Figure 2

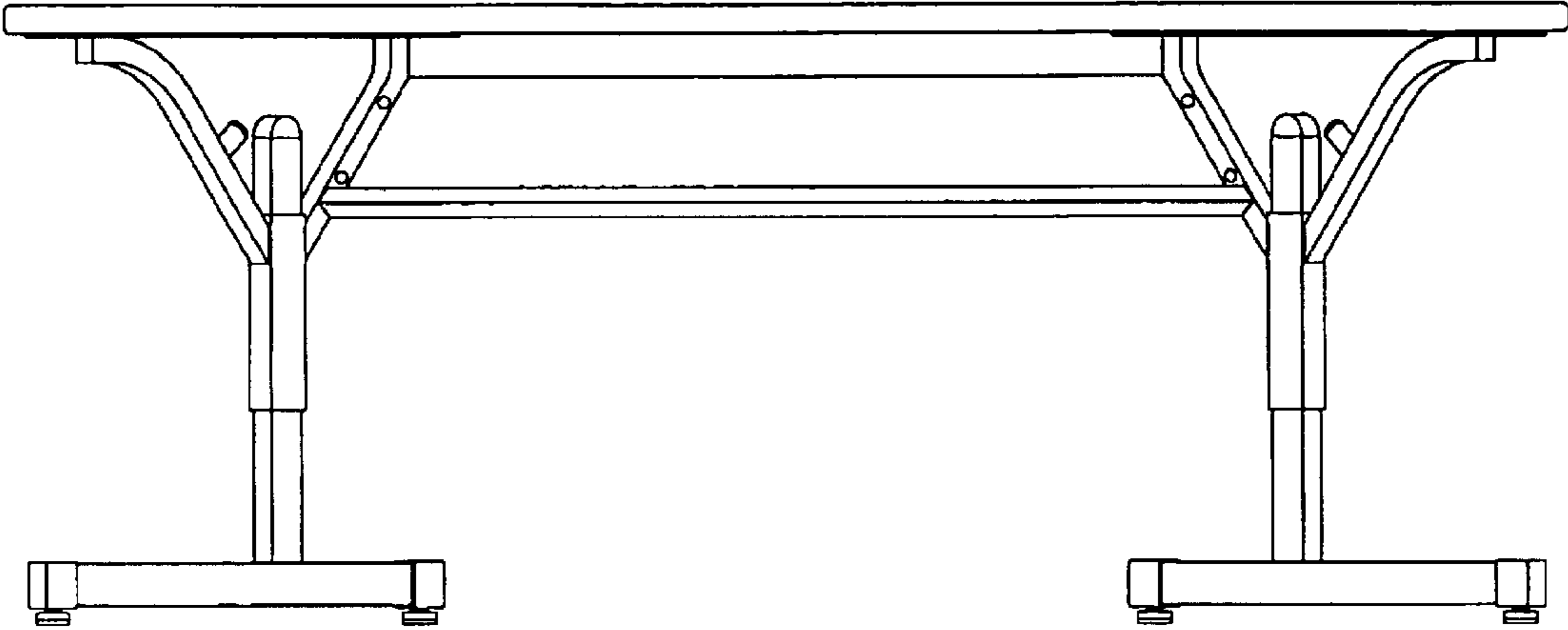


Figure 4

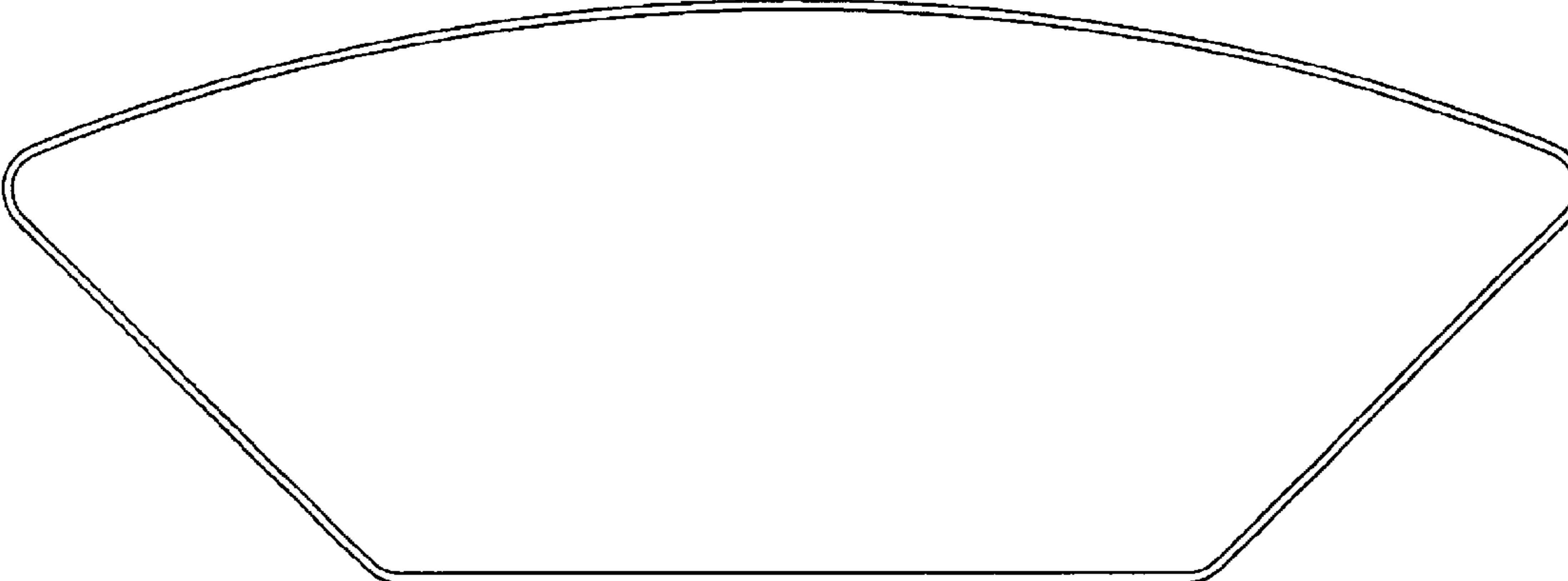


Figure 8

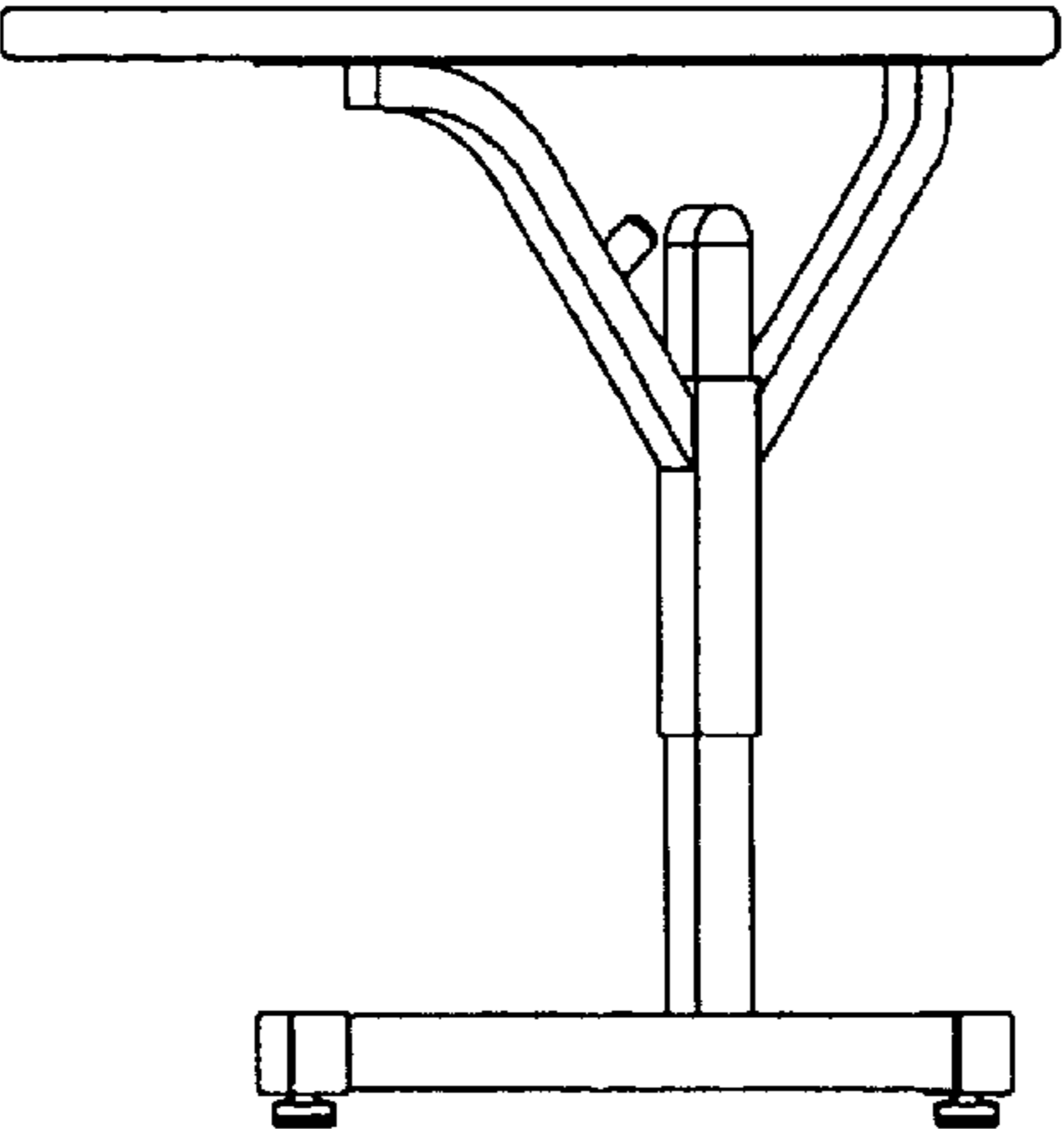


Figure 7

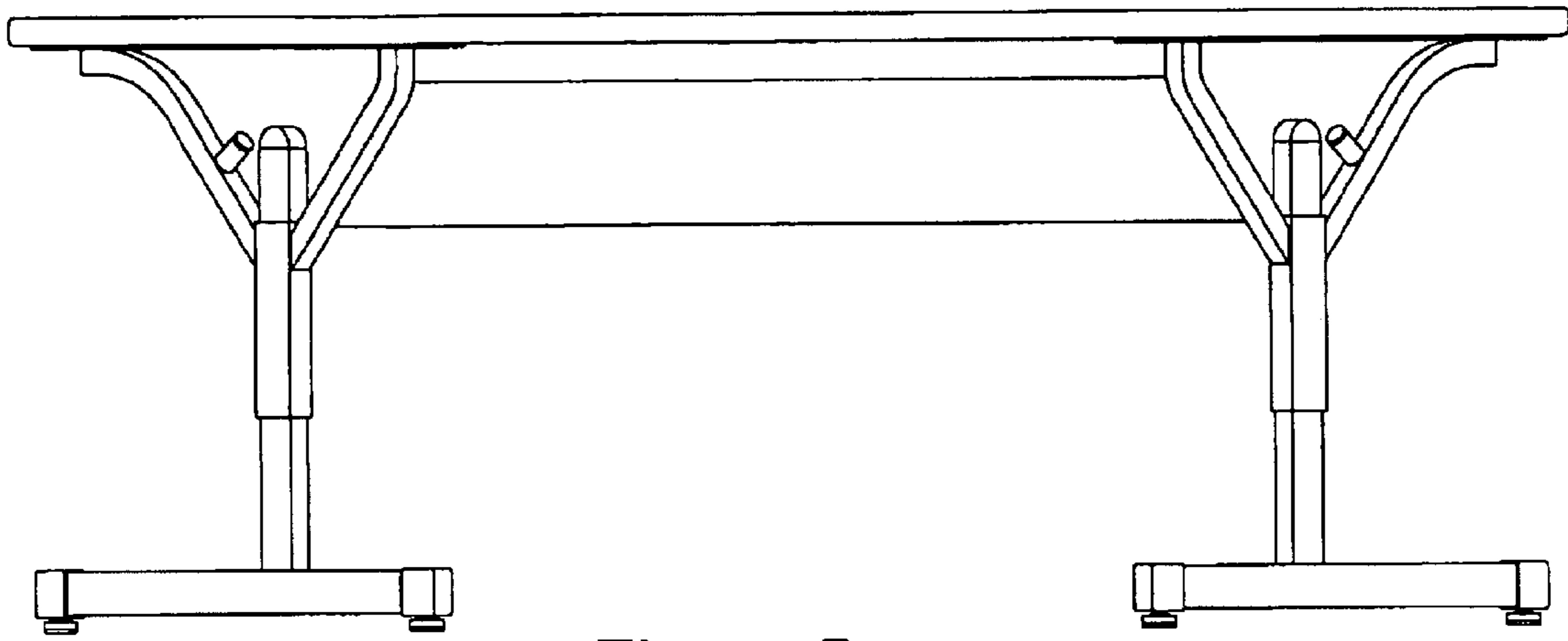


Figure 5

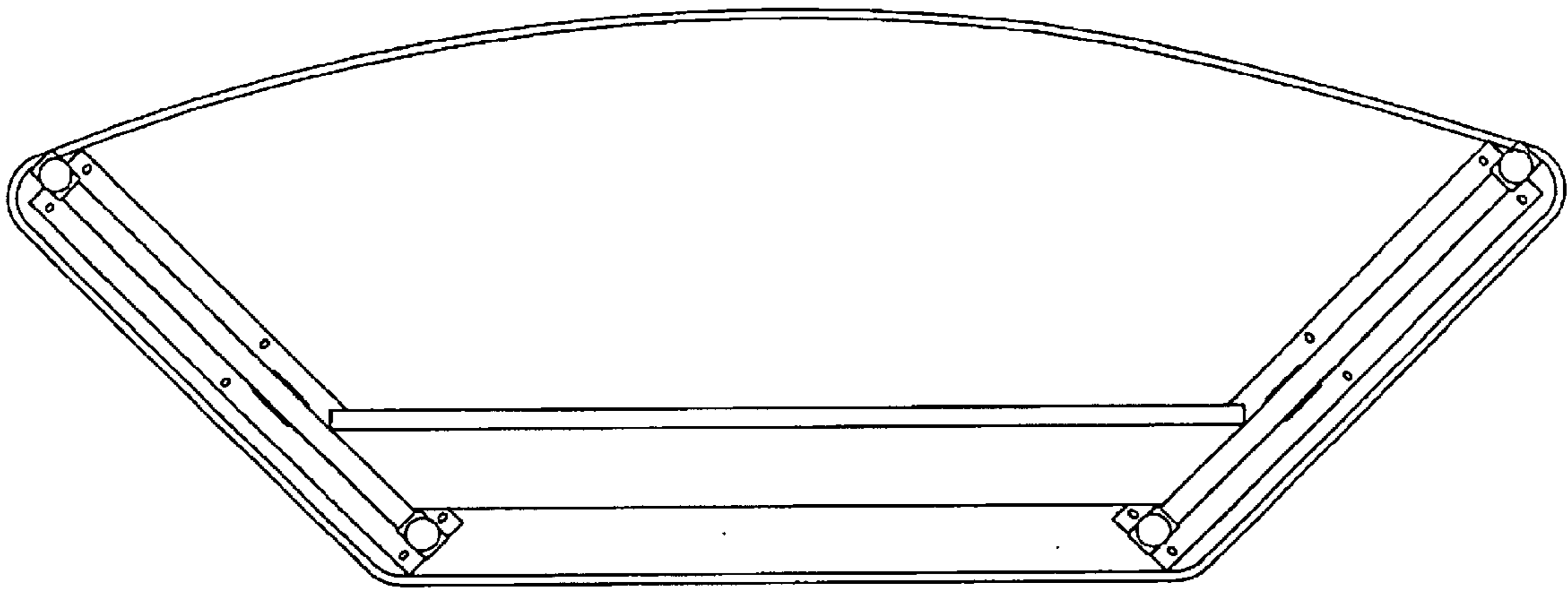


Figure 9

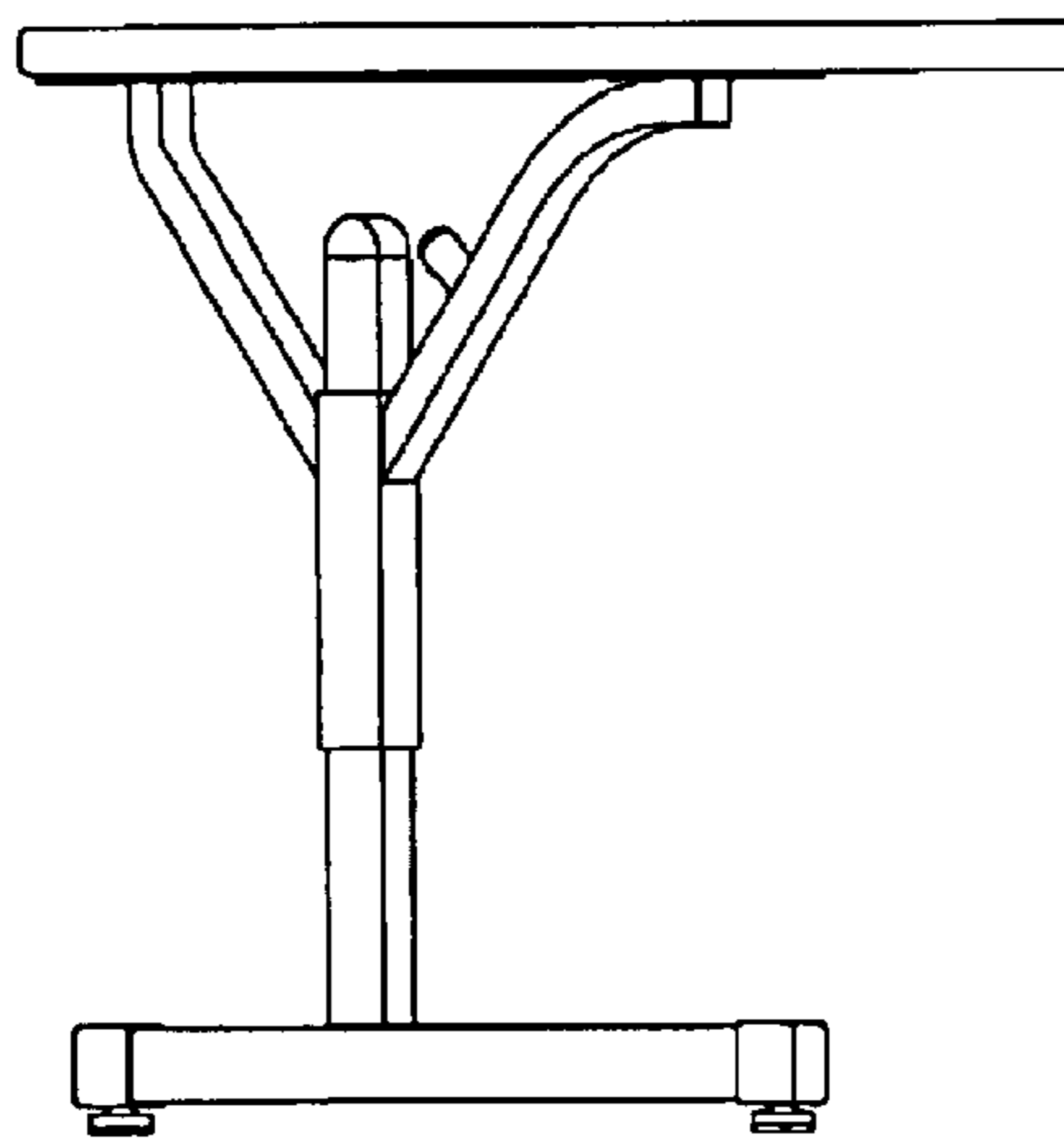


Figure 6