

US00D501740S

(12) **United States Design Patent**
Sexton

(10) **Patent No.:** **US D501,740 S**

(45) **Date of Patent:** **** Feb. 15, 2005**

(54) **AUDIO-VIDEO STORAGE UNIT**

D483,966 S * 12/2003 Forlenza et al. D6/474
6,672,465 B2 * 1/2004 White et al. 211/186

(75) **Inventor:** **James S. Sexton, Danville, CA (US)**

* cited by examiner

(73) **Assignee:** **Z-Line Designs, San Ramon, CA (US)**

Primary Examiner—Cathron Brooks

(**) **Term:** **14 Years**

(74) *Attorney, Agent, or Firm*—Townsend and Townsend and Crew LLP

(21) **Appl. No.:** **29/201,157**

(57) **CLAIM**

(22) **Filed:** **Mar. 10, 2004**

The ornamental design for an audio-video storage unit, as shown and described.

(51) **LOC (7) Cl.** **06-04**

(52) **U.S. Cl.** **D6/477; D6/474**

(58) **Field of Search** D6/407, 474, 477-479;
108/59, 64, 91-93, 107, 149, 151, 144.11,
147.11, 147.13; 211/13.1, 42, 43, 49.1,
85.26, 134, 187-190, 153, 207

DESCRIPTION

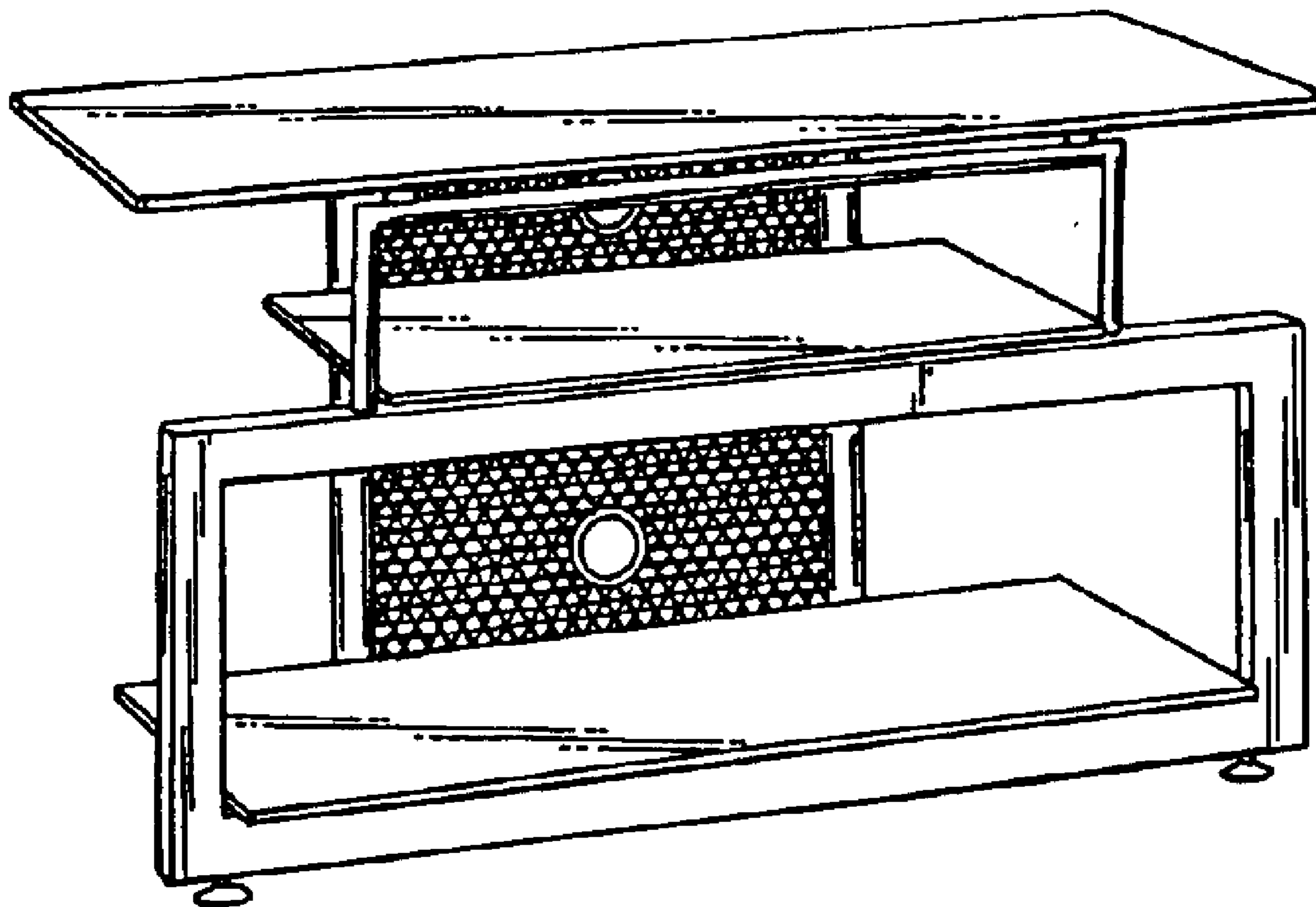
FIG. 1 is a perspective view of an audio-video storage unit showing my new design;
FIG. 2 is a top plan view thereof;
FIG. 3 is a front elevational view thereof;
FIG. 4 is a right side elevational view thereof;
FIG. 5 is a left side elevational view thereof;
FIG. 6 is a rear elevational view thereof; and,
FIG. 7 is a bottom plan view thereof.

(56) **References Cited**

U.S. PATENT DOCUMENTS

D378,175 S * 2/1997 Hamami D6/479
D457,755 S * 5/2002 Sun et al. D6/479

1 Claim, 2 Drawing Sheets



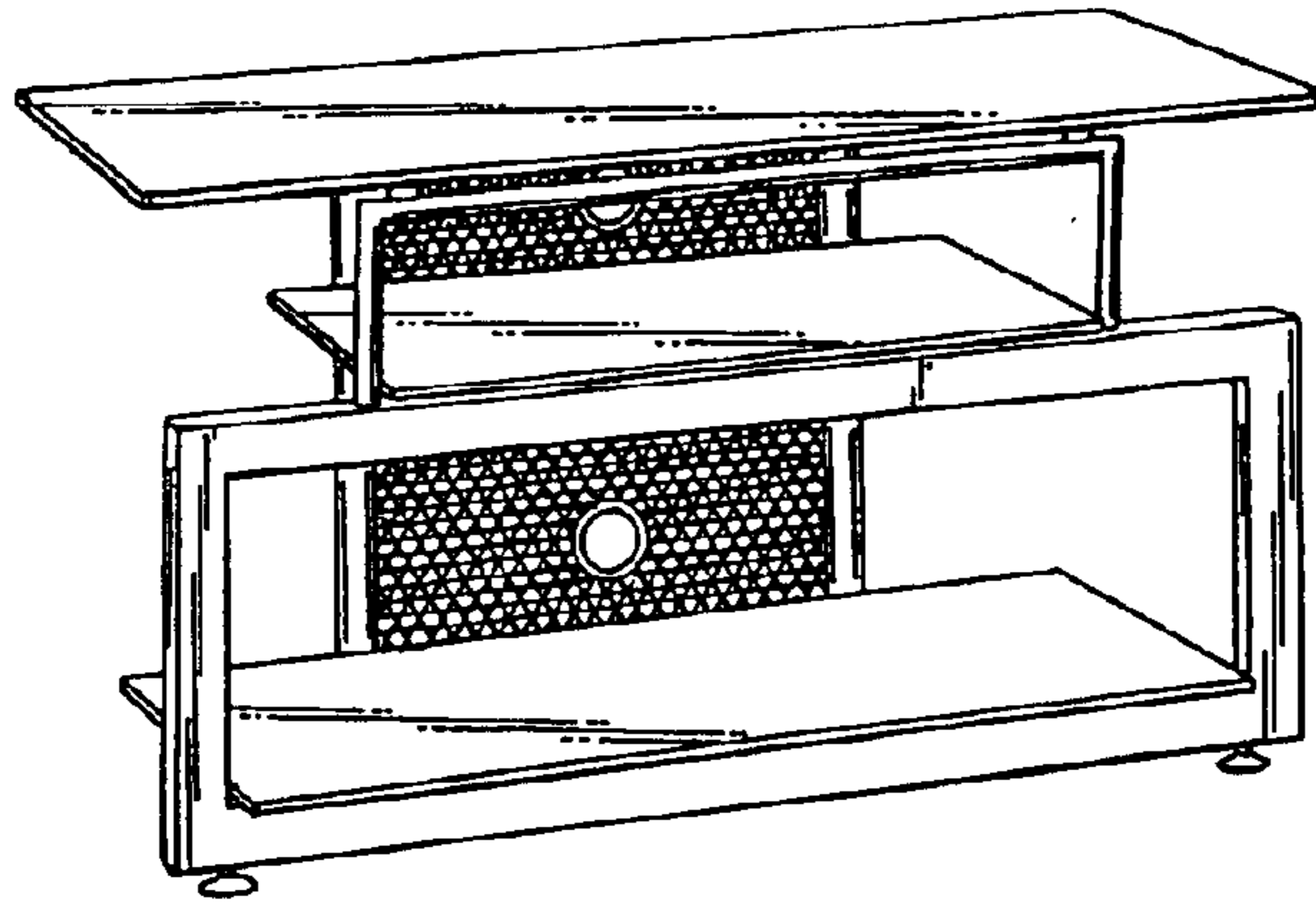


FIG. 1

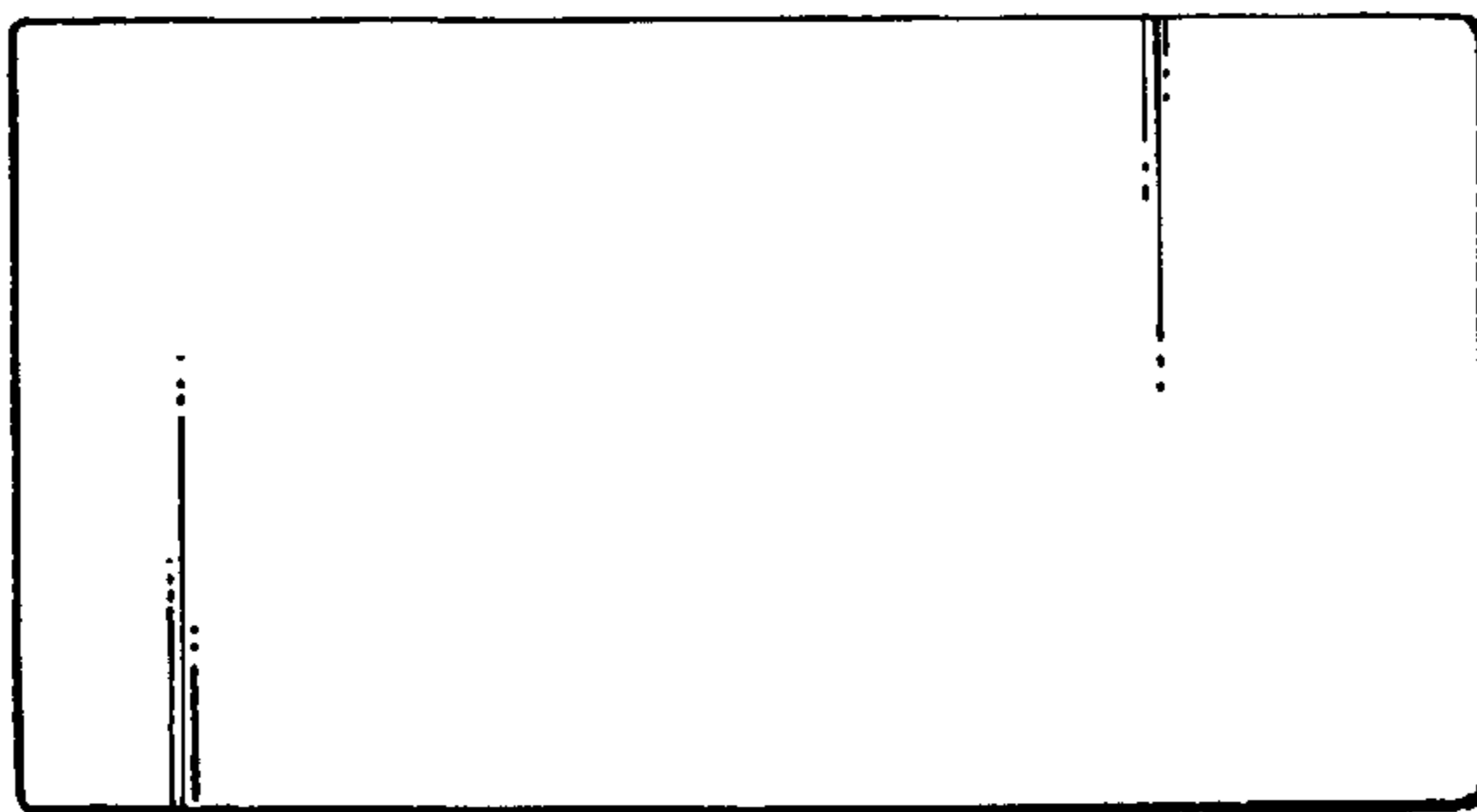


FIG. 2

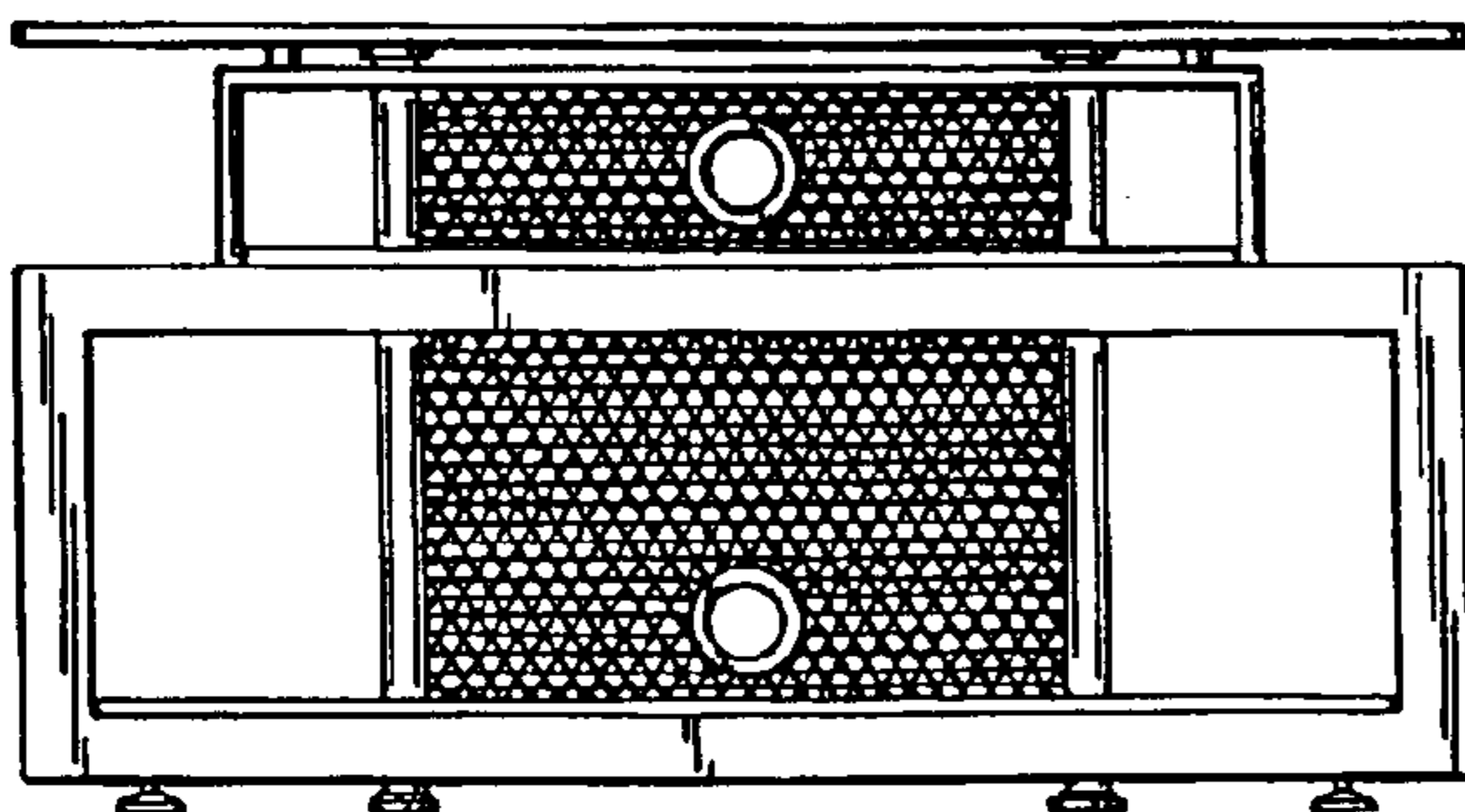


FIG. 3

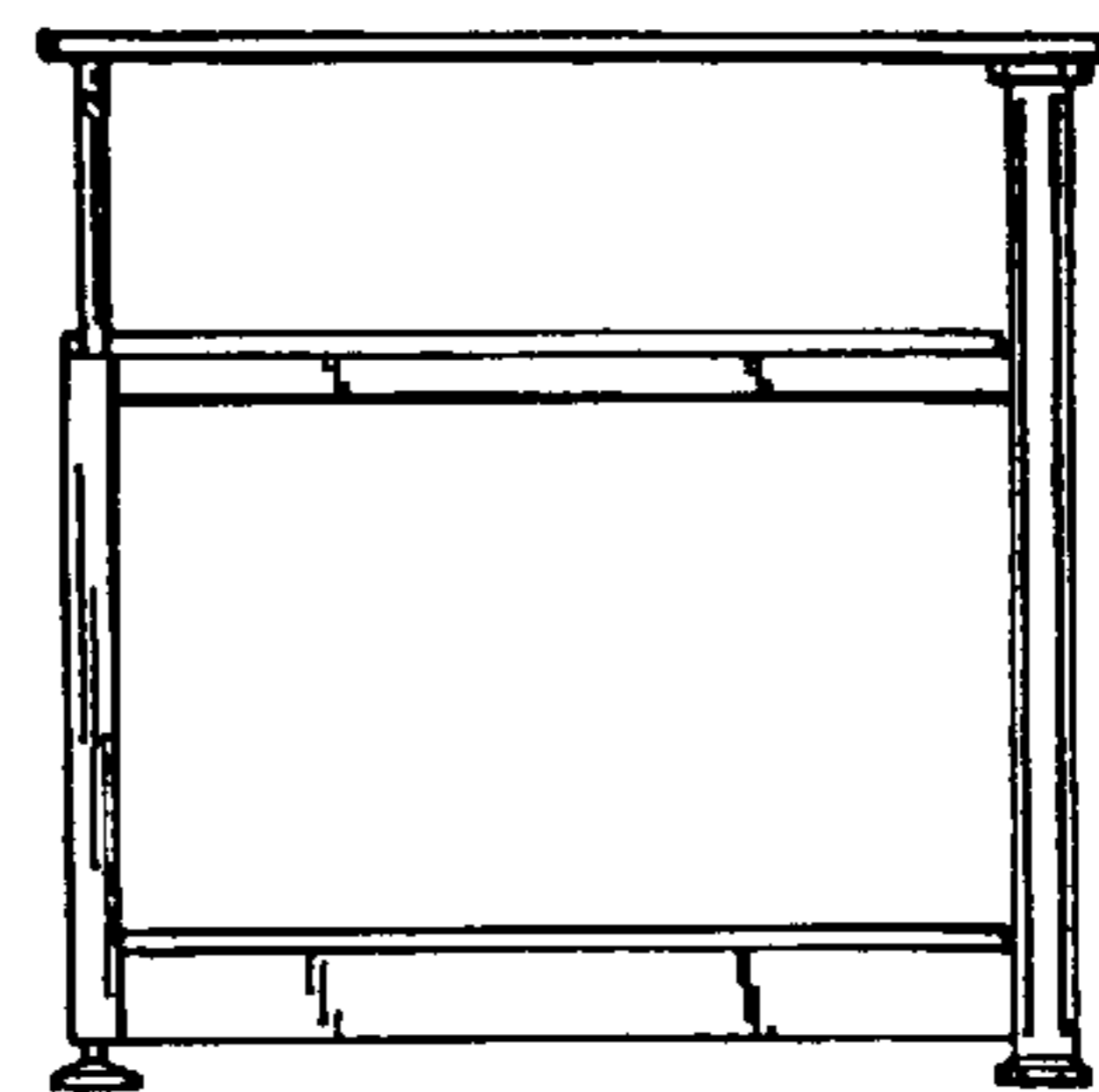


FIG. 4

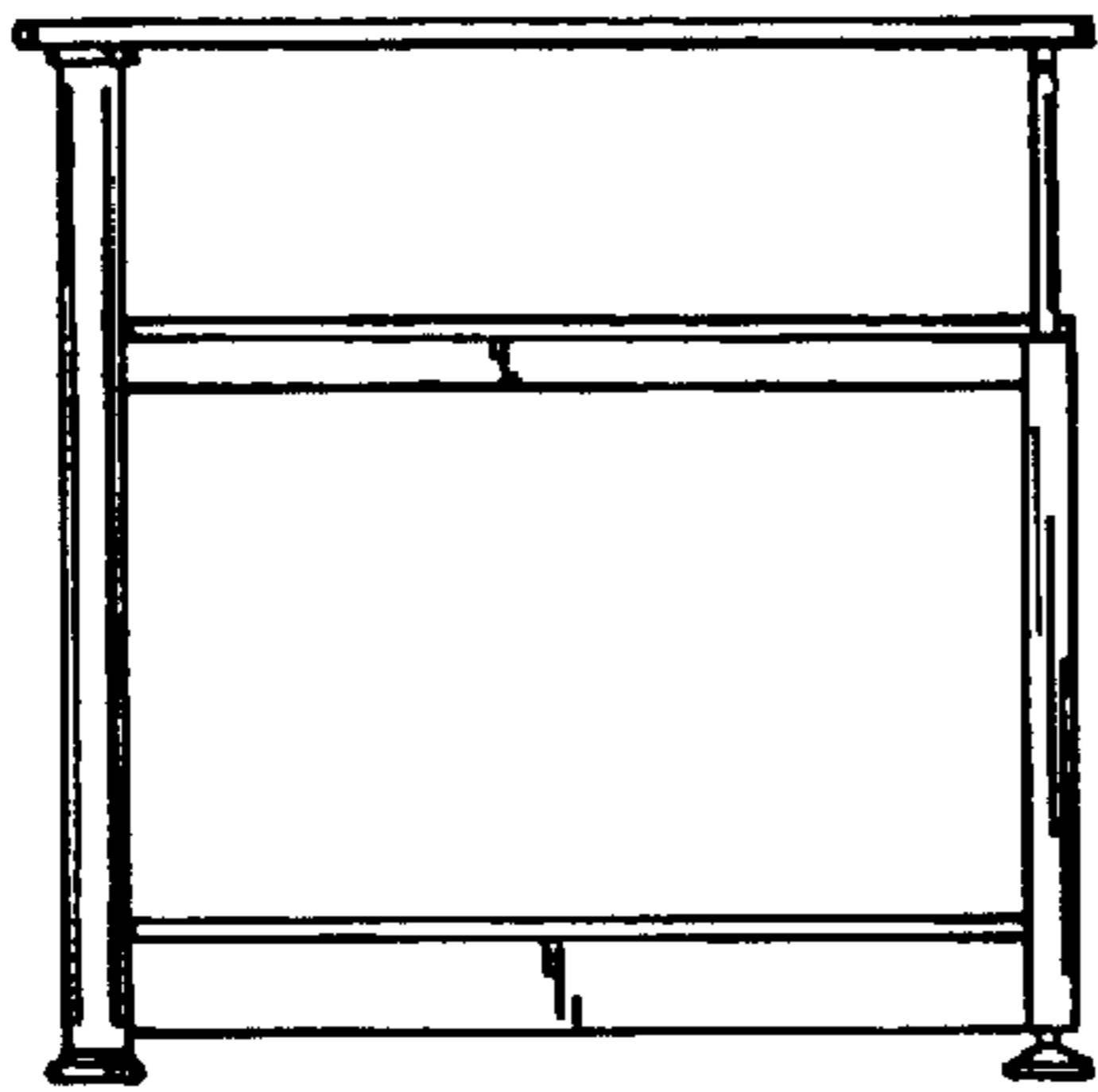


FIG. 5

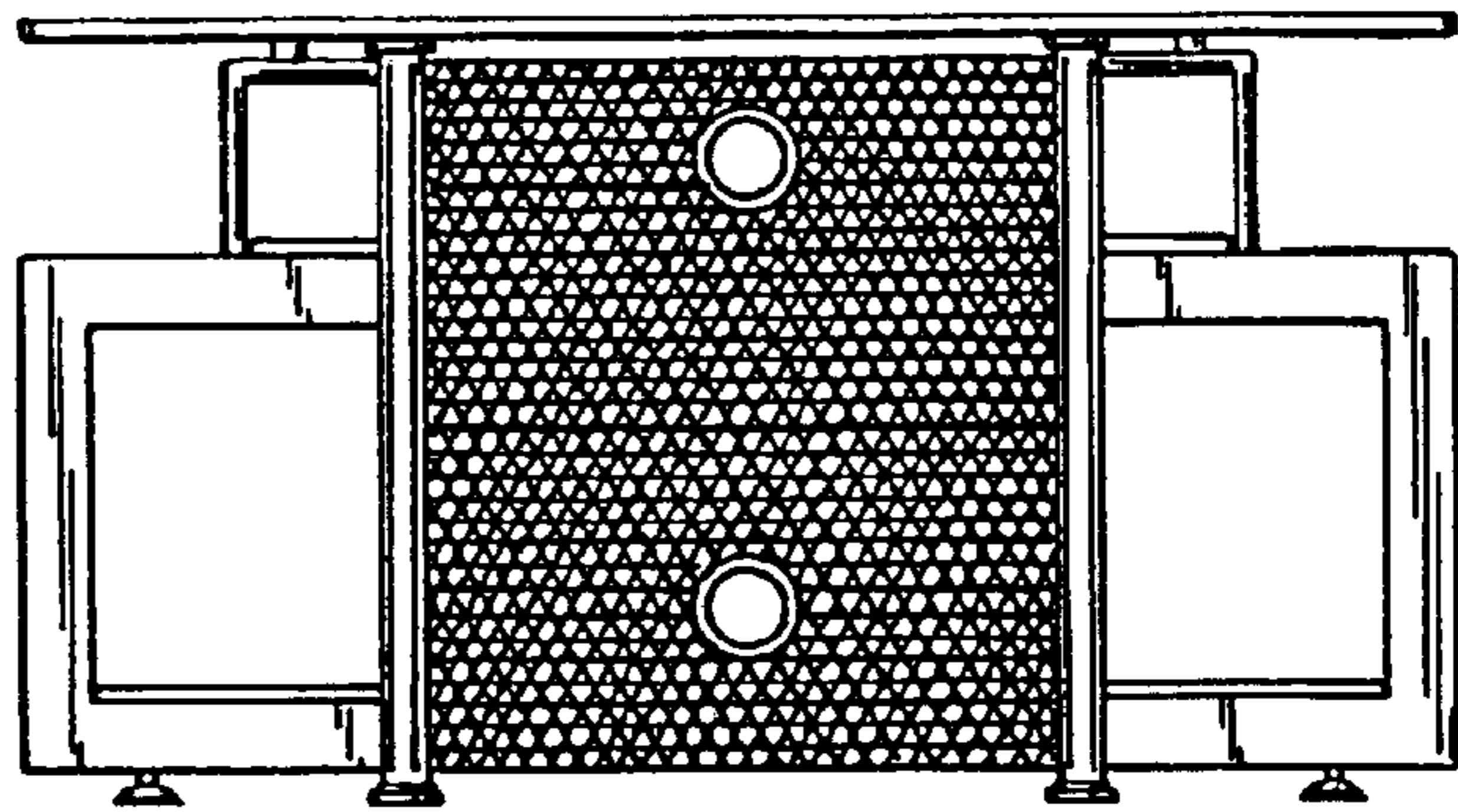


FIG. 6

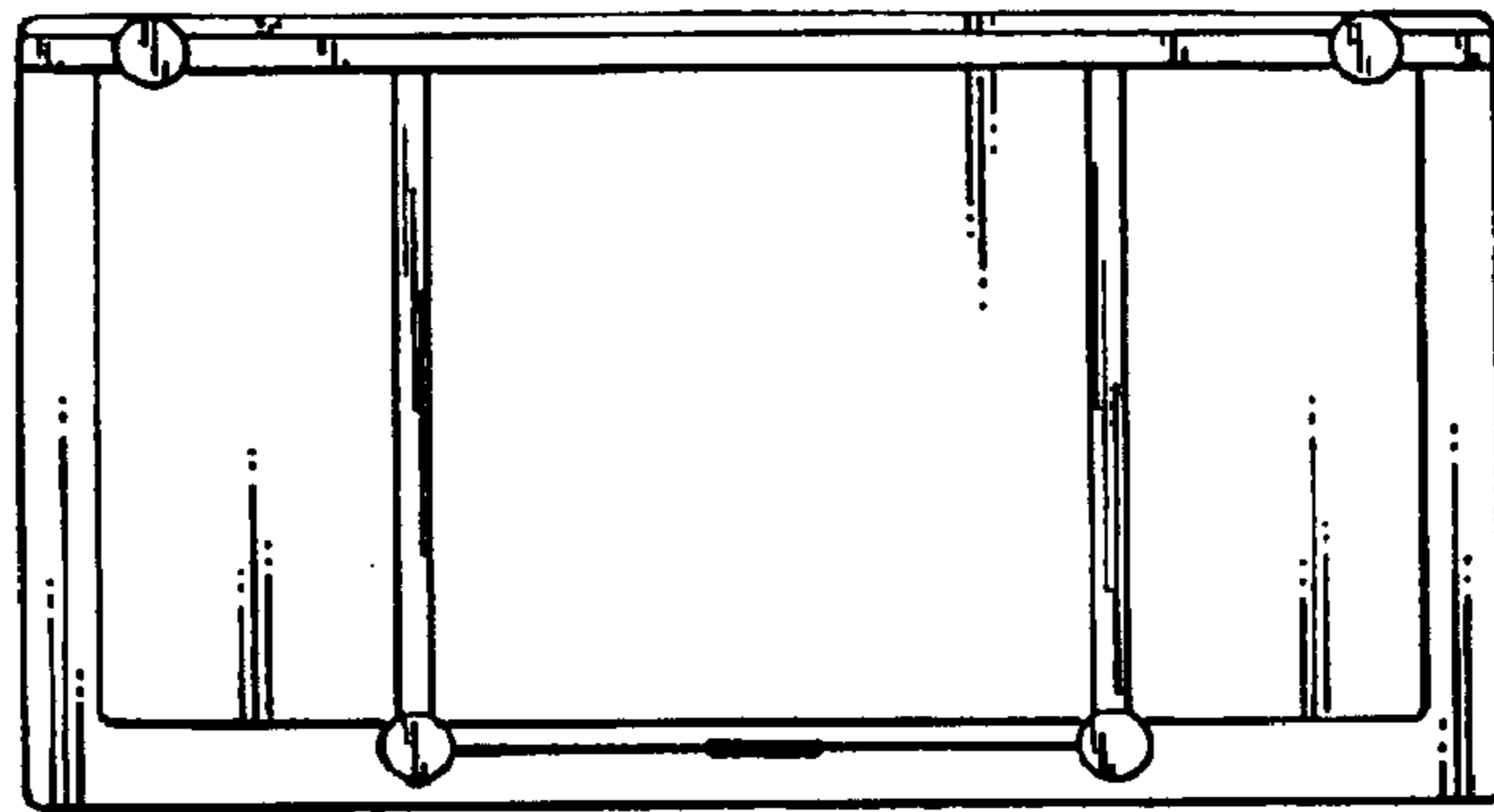


FIG. 7