



US00D501739S

(12) **United States Design Patent**
Coran

(10) **Patent No.:** **US D501,739 S**

(45) **Date of Patent:** **** Feb. 15, 2005**

(54) **ORNAMENTAL FREE-STANDING
DOCUMENT TRAY ARRAY**

D434,923 S * 12/2000 Arrowsmith et al. D6/436

* cited by examiner

(76) **Inventor:** **Richard O. Coran**, 1560 E. Oak St.,
Conway, AR (US) 72032

Primary Examiner—Cathron C. Brooks

(74) *Attorney, Agent, or Firm*—Joe D. Calhoun

(**) **Term:** **14 Years**

(57) **CLAIM**

(21) **Appl. No.:** **29/164,079**

I claim the ornamental design for a ornamental free-standing document tray array, as shown and described.

(22) **Filed:** **Jul. 15, 2002**

DESCRIPTION

(51) **LOC (7) Cl.** **06-04**

FIG. 1 depicts a perspective view of the invention, looking down from the front and side.

(52) **U.S. Cl.** **D6/474; D6/477**

FIG. 2 depicts an elevation view from the front of the invention.

(58) **Field of Search** D6/396, 397, 630,
D6/449, 465, 468, 474, 499, 476-479, 510,
511, 419; D19/92; 108/59-61, 91-93, 147.11,
158.11; 211/42, 43, 49.1, 85.26, 133.2,
134, 181.1, 182, 188, 203; 312/7.2

FIG. 3 depicts an elevation view from the rear of the invention.

FIG. 4 depicts a top plan view of the invention; the bottom is flat and unornamented.

(56) **References Cited**

FIG. 5 depicts an elevation view from one side of the invention; and,

U.S. PATENT DOCUMENTS

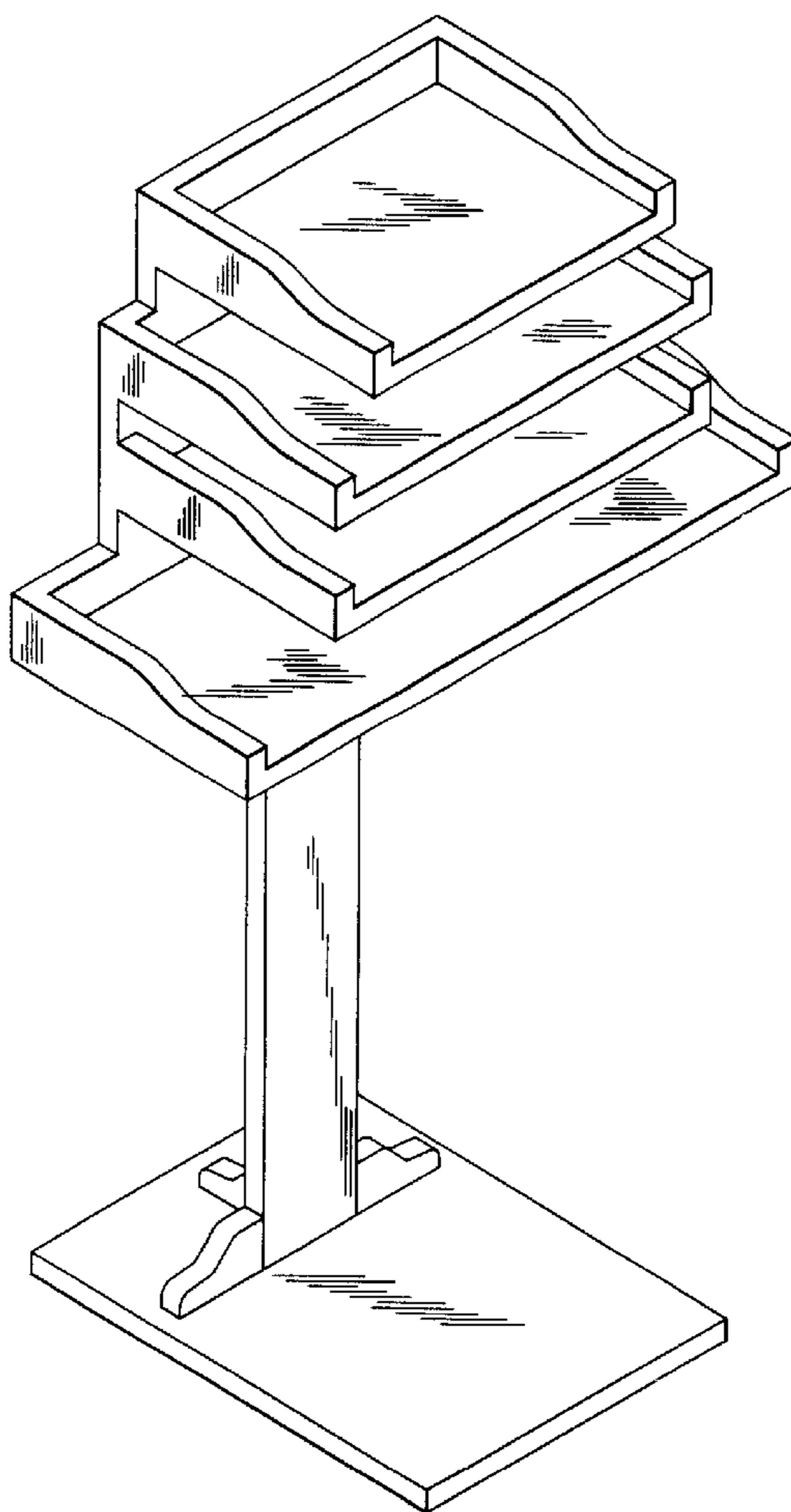
FIG. 6 depicts an elevation view from the other side of the invention.

D250,920 S * 1/1979 Waters D6/419

D296,275 S * 6/1988 Fisher et al. D6/419

D322,463 S * 12/1991 Hansen D19/92

1 Claim, 4 Drawing Sheets



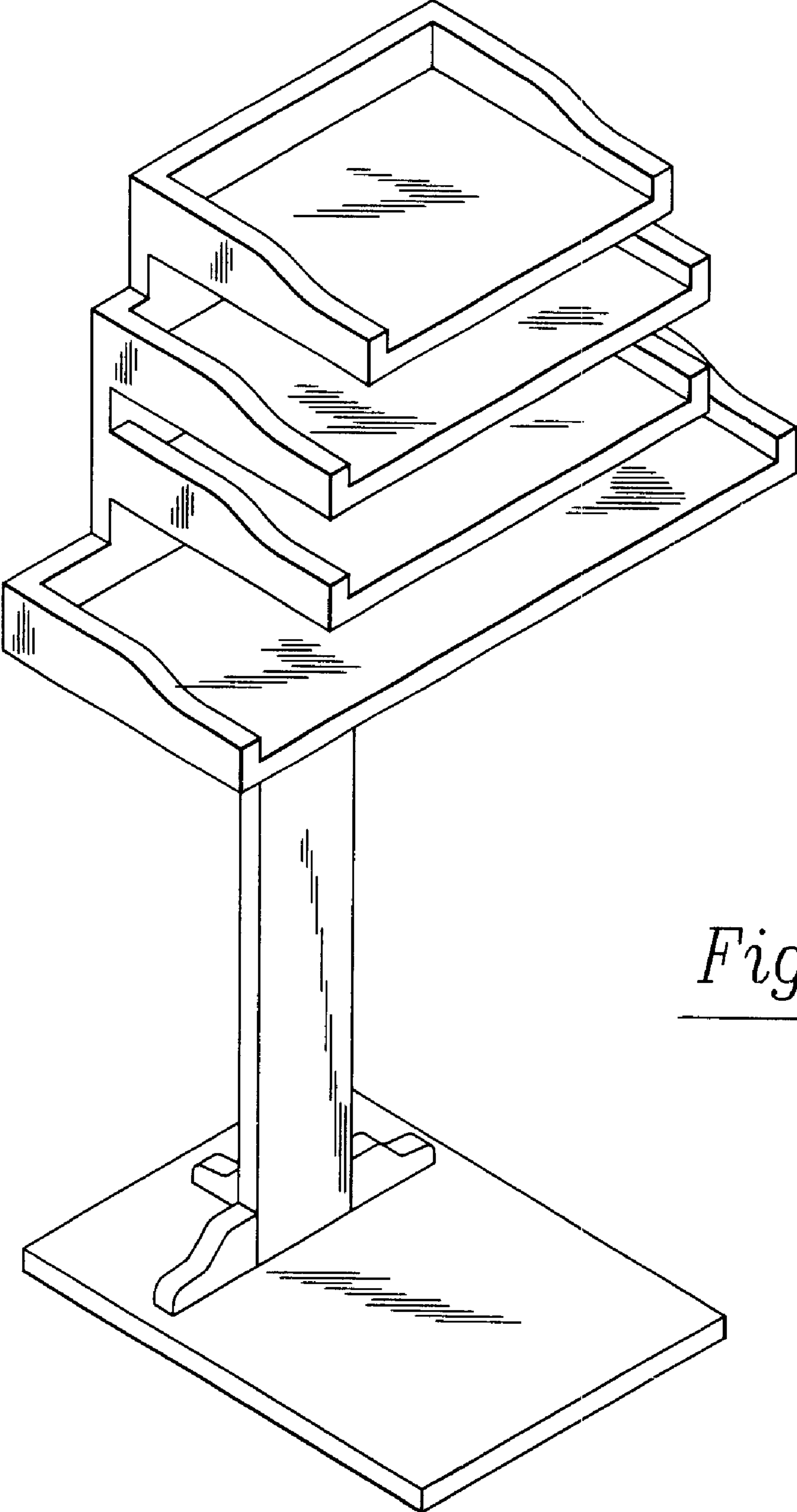


Fig. 1

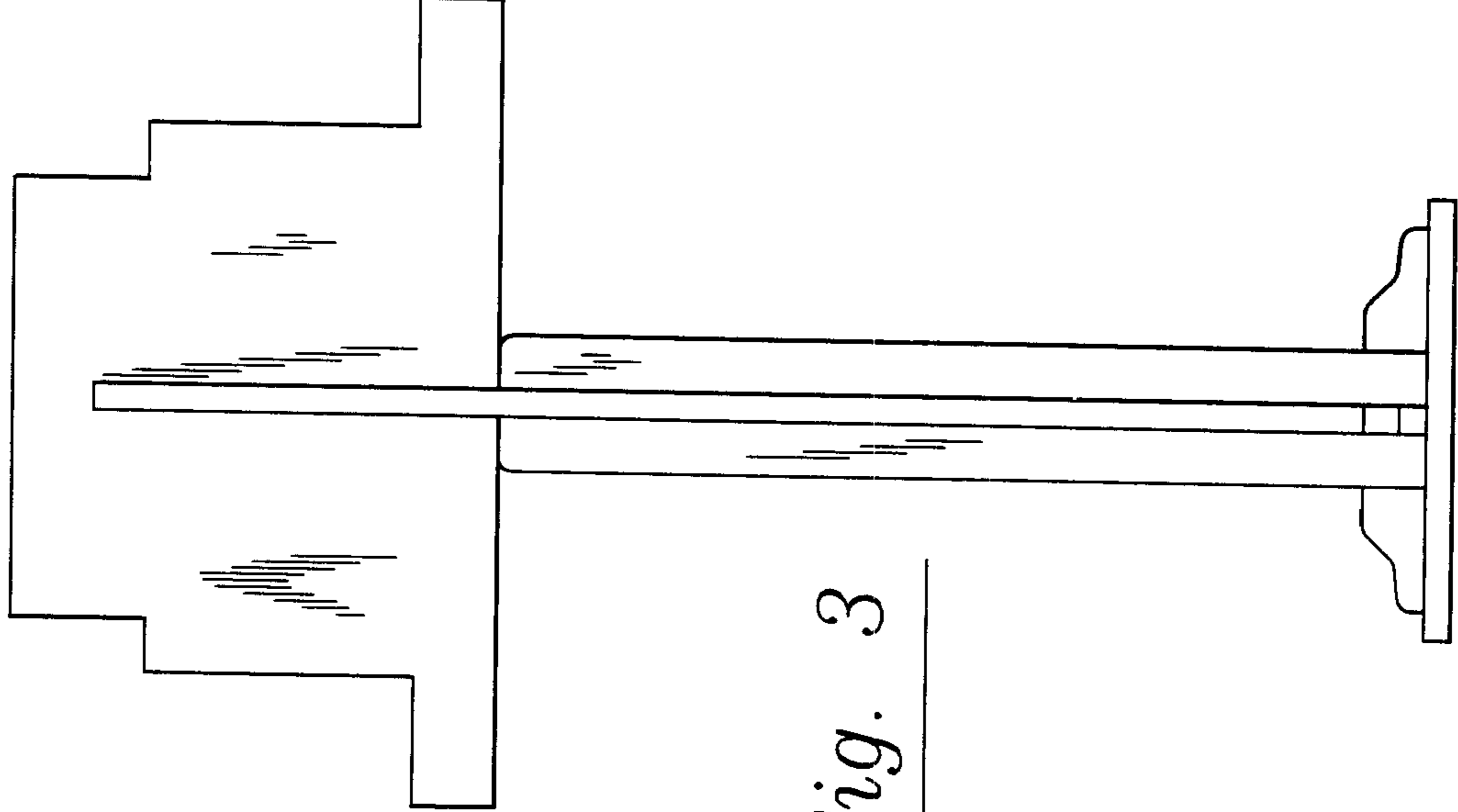


Fig. 3

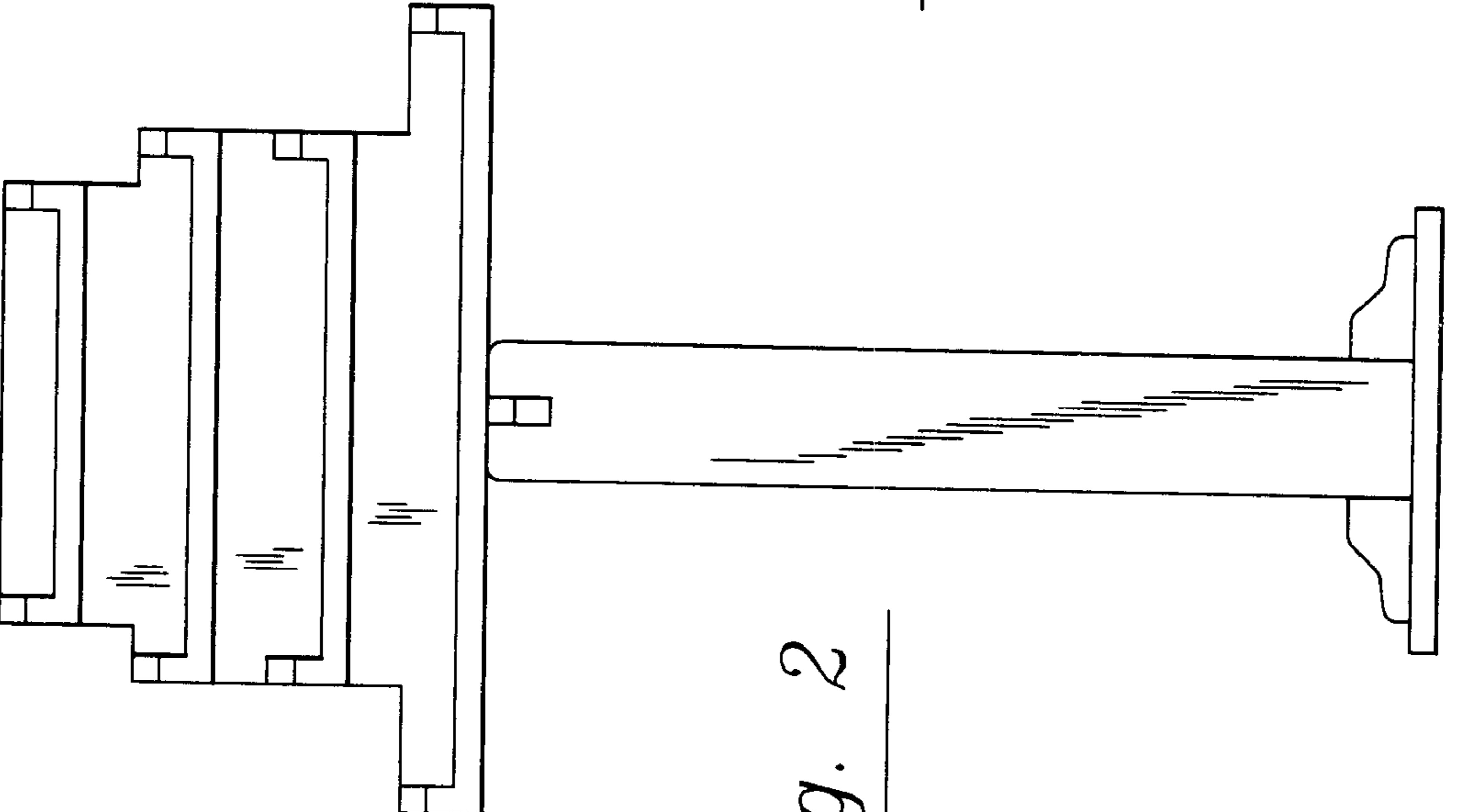


Fig. 2

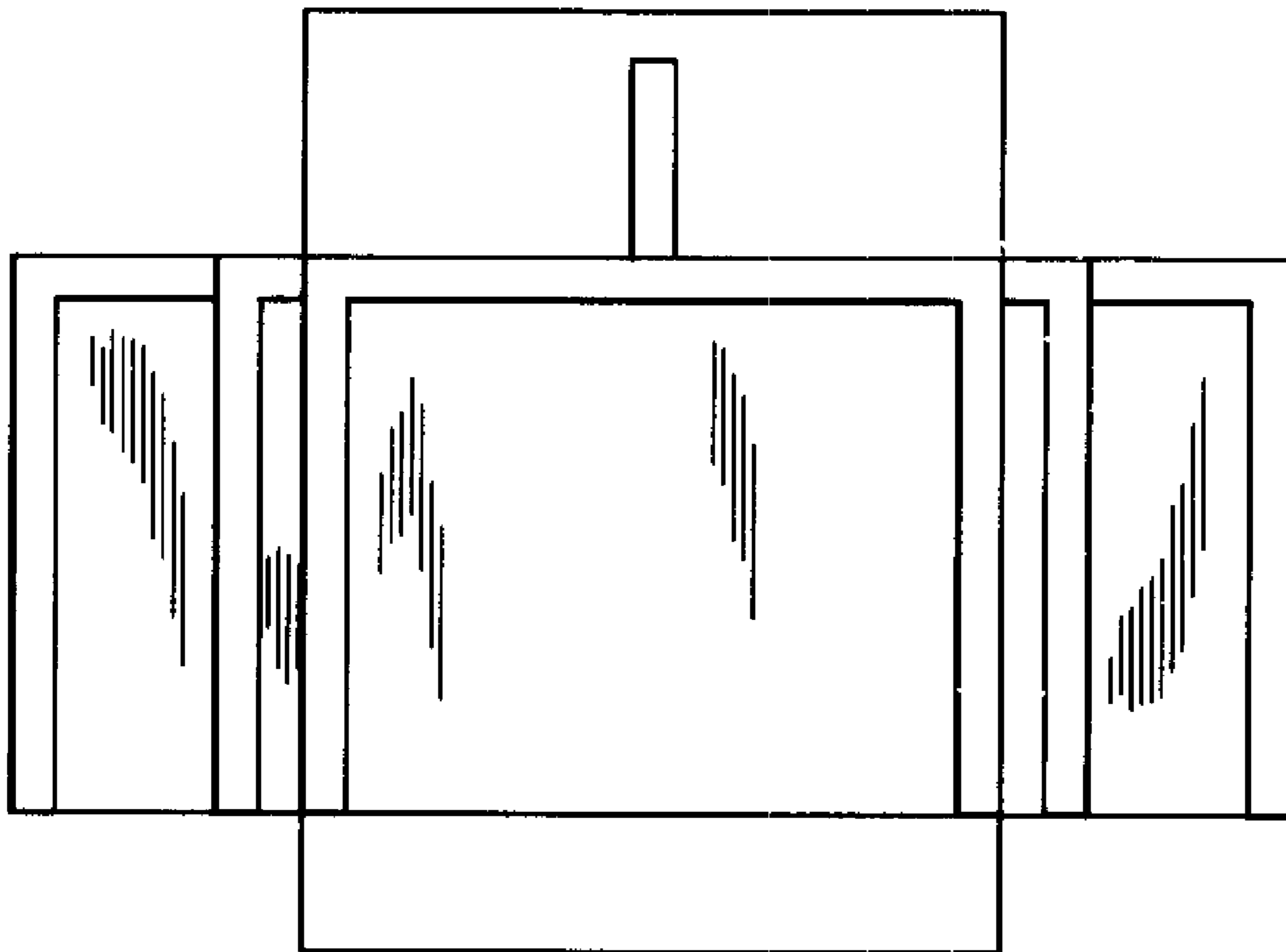


Fig. 4

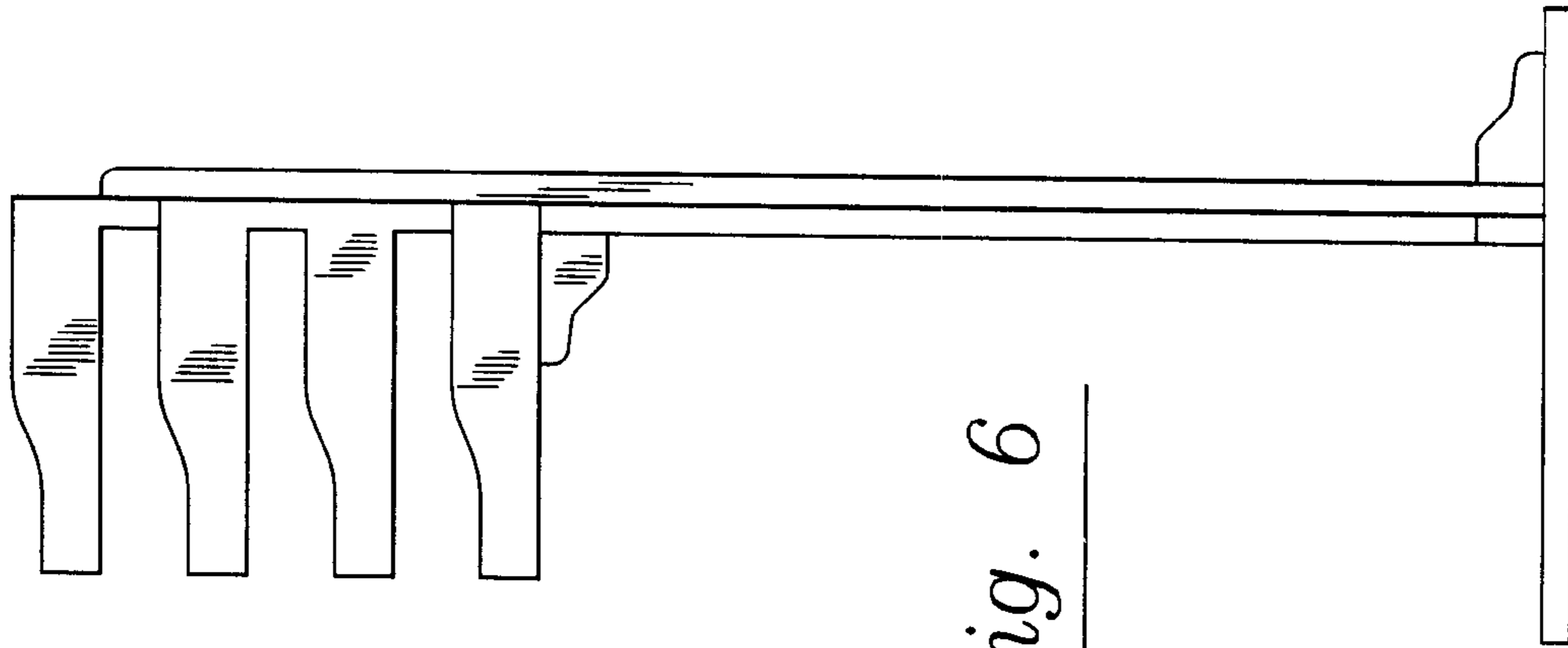


Fig. 6

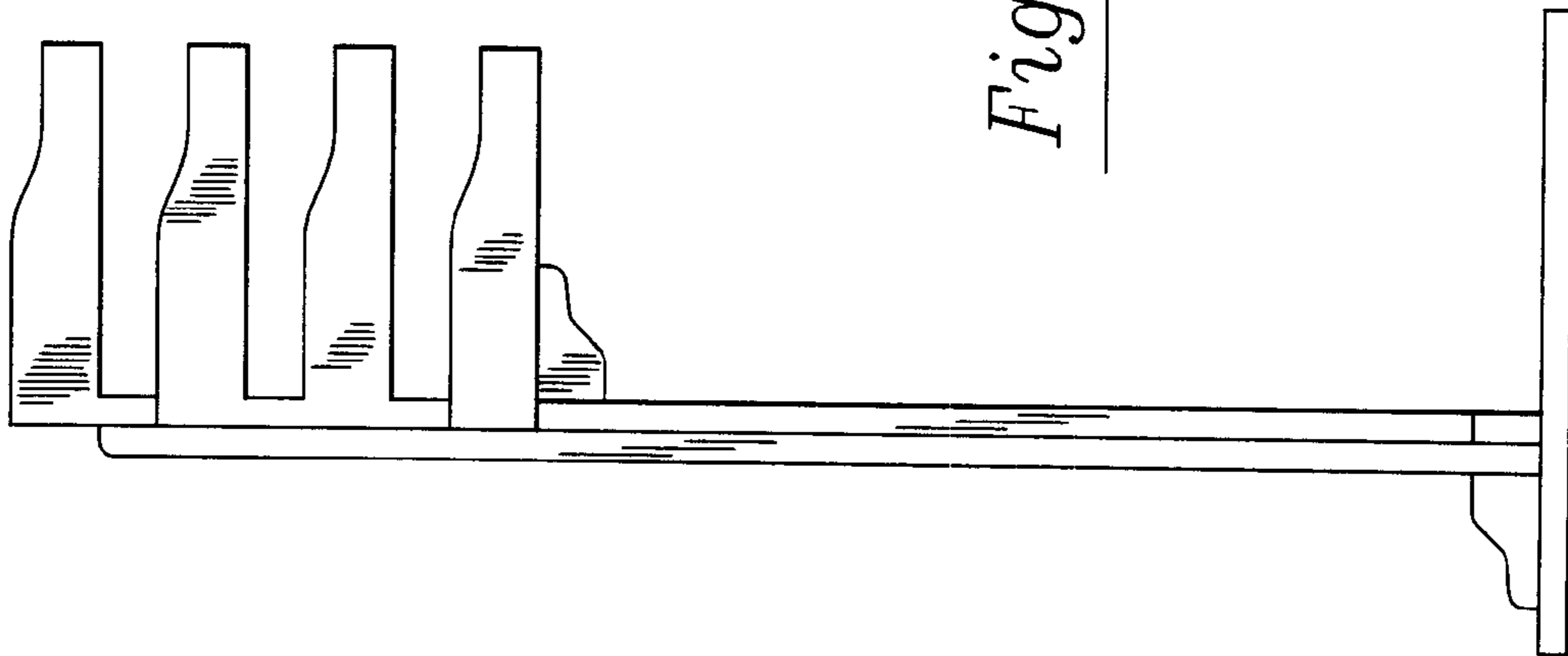


Fig. 5