

US00D501733S

(12) **United States Design Patent**
Noguchi et al.

(10) **Patent No.:** **US D501,733 S**
(45) **Date of Patent:** **** Feb. 15, 2005**

(54) **BED**

(75) **Inventors:** **Jiro Noguchi, Tokyo (JP); Tadashi Kinugawa, Tokyo (JP); Takayuki Masukawa, Tokyo (JP); Yutaka Nagano, Tokyo (JP)**

(73) **Assignee:** **Paramount Bed Co., Ltd., Tokyo (JP)**

(**) **Term:** **14 Years**

(21) **Appl. No.:** **29/181,651**

(22) **Filed:** **May 15, 2003**

(30) **Foreign Application Priority Data**

Jan. 23, 2003 (JP) 2003-001483

(51) **LOC (7) Cl.** **06-02**

(52) **U.S. Cl.** **D6/392**

(58) **Field of Search** D6/382, 388, 389,
D6/392-395, 505-508, 503; 5/53.1, 279.1,
280, 281, 907, 285, 310, 618, 600, 425,
611-614

(56) **References Cited**

U.S. PATENT DOCUMENTS

D229,380 S * 11/1973 Benoit D6/392

D229,381 S * 11/1973 Benoit D6/392
D480,887 S * 10/2003 Tolfen et al. D6/392
2002/0157185 A1 * 10/2002 Heimbrock et al. 5/618
2004/0025253 A1 * 2/2004 Heimbrock et al. 5/425

* cited by examiner

Primary Examiner—Janice E. Seeger

(74) *Attorney, Agent, or Firm*—Townsend & Banta

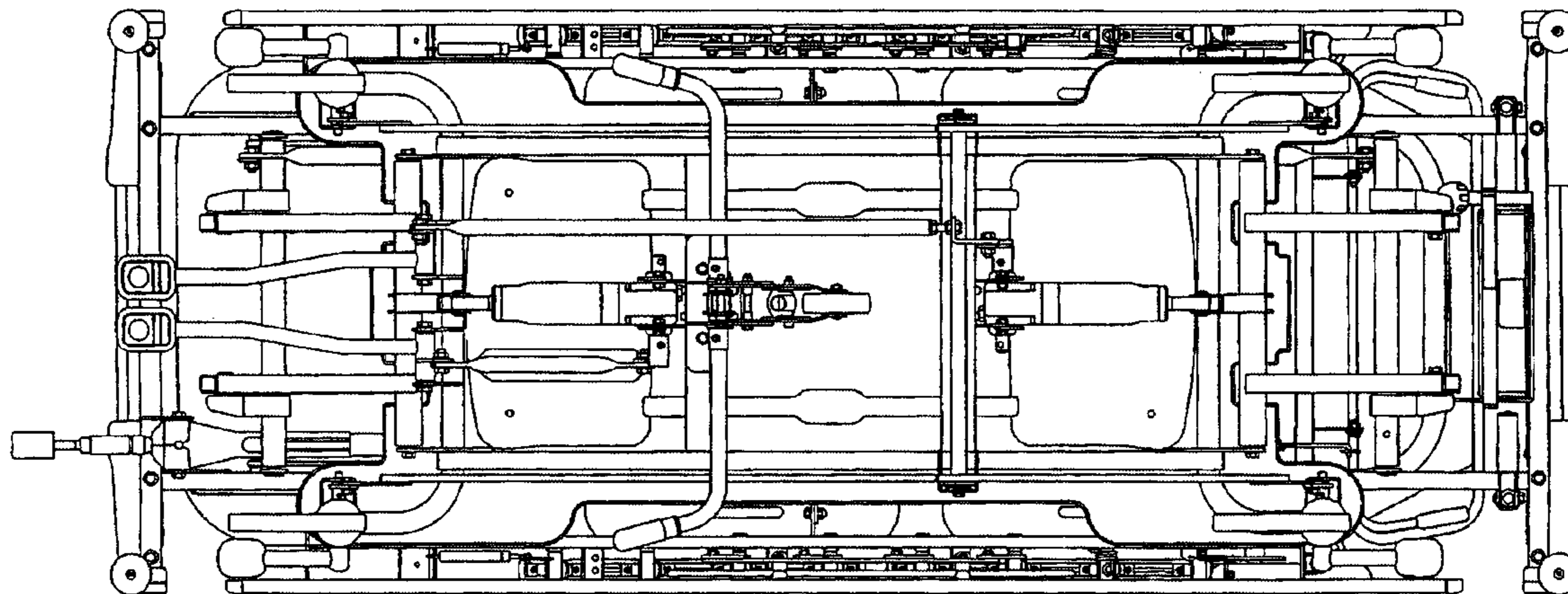
(57) **CLAIM**

The ornamental design for a bed, as shown and described.

DESCRIPTION

FIG. 1 is a bottom plan view of a bed embodying my design;
FIG. 2 is a left side view of said bed;
FIG. 3 is a left side view of said bed, illustrating the bed shown in the Figures above in a raised state;
FIG. 4 is a front end view of said bed;
FIG. 5 is a perspective view of said bed;
FIG. 6 is a perspective view of said bed, illustrating the bed shown in the Figures above in a raised state;
FIG. 7 is a right side view of said bed;
FIG. 8 is a rear end view of said bed; and,
FIG. 9 is a top plan view of said bed.

1 Claim, 9 Drawing Sheets



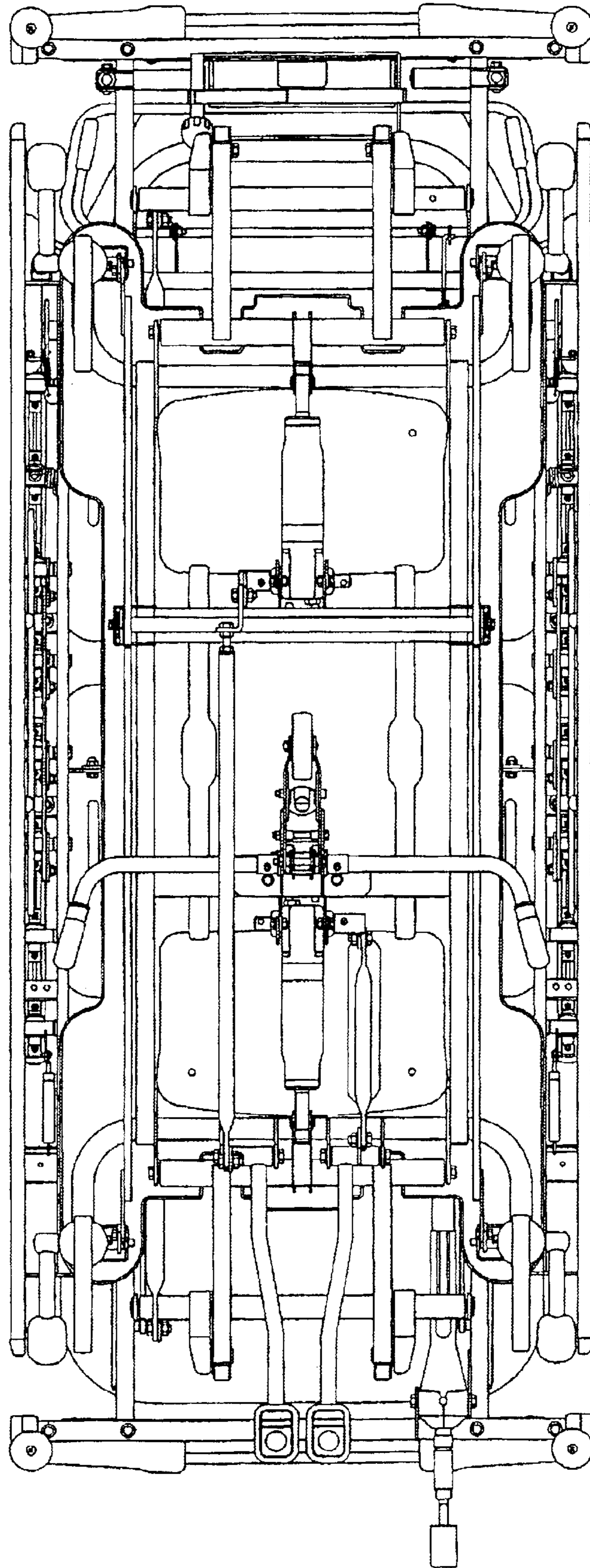


FIG. 1

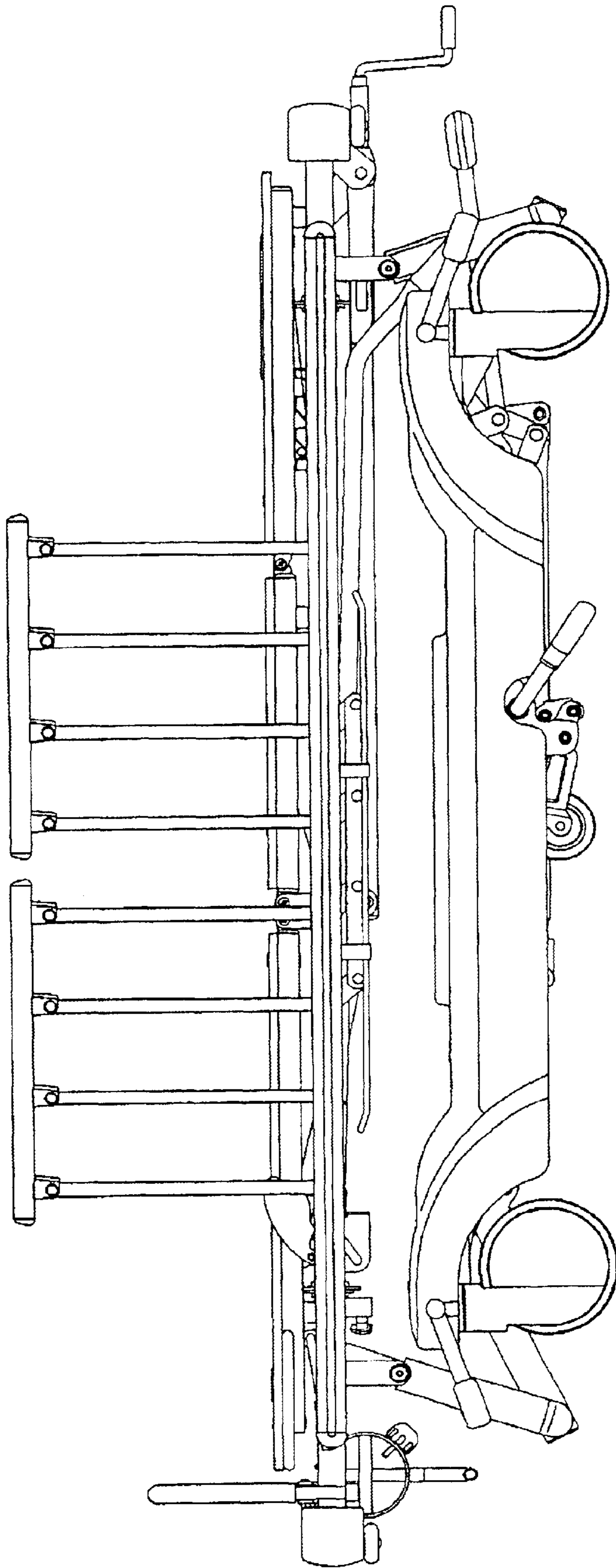


FIG. 2

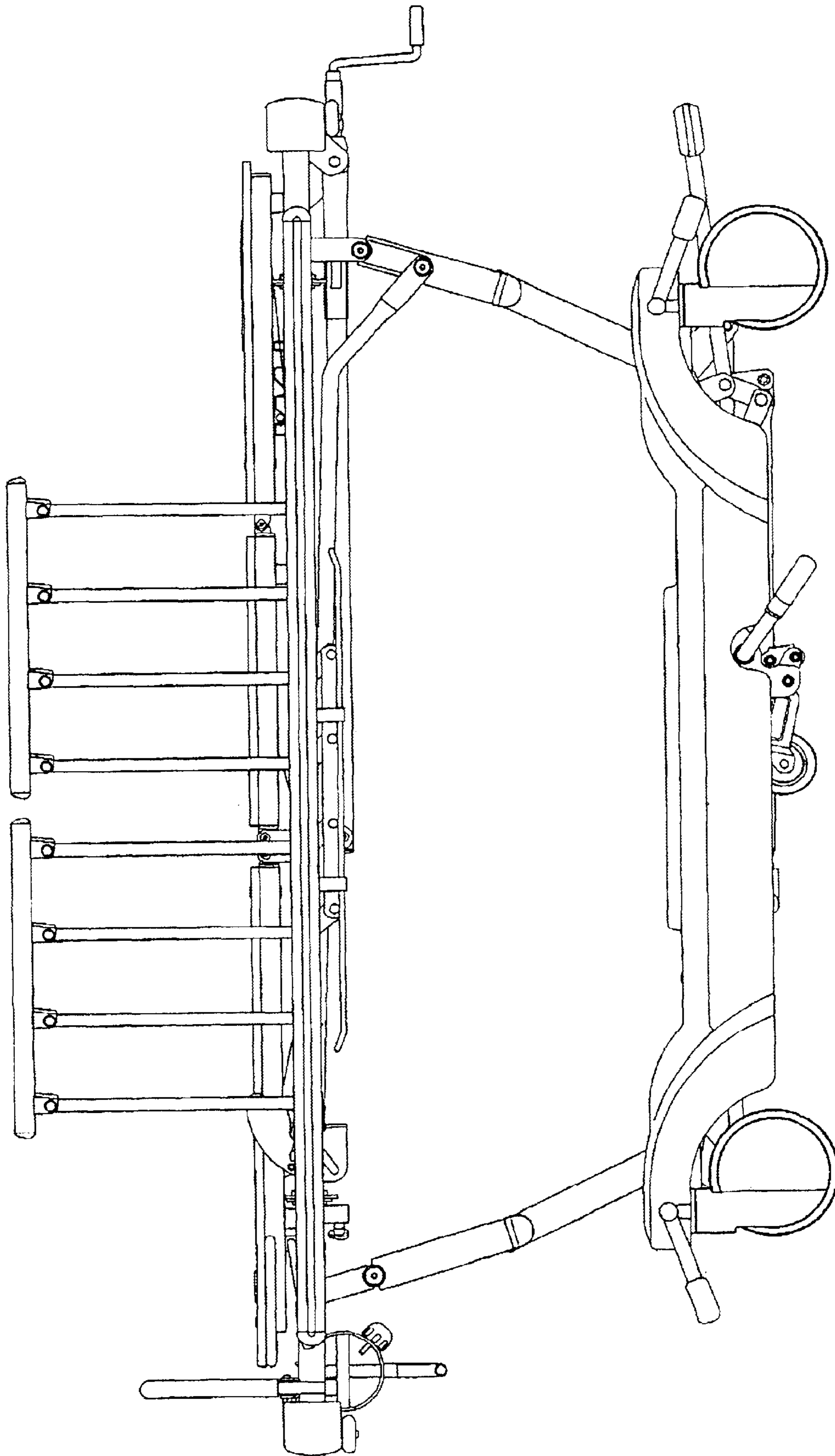


FIG. 3

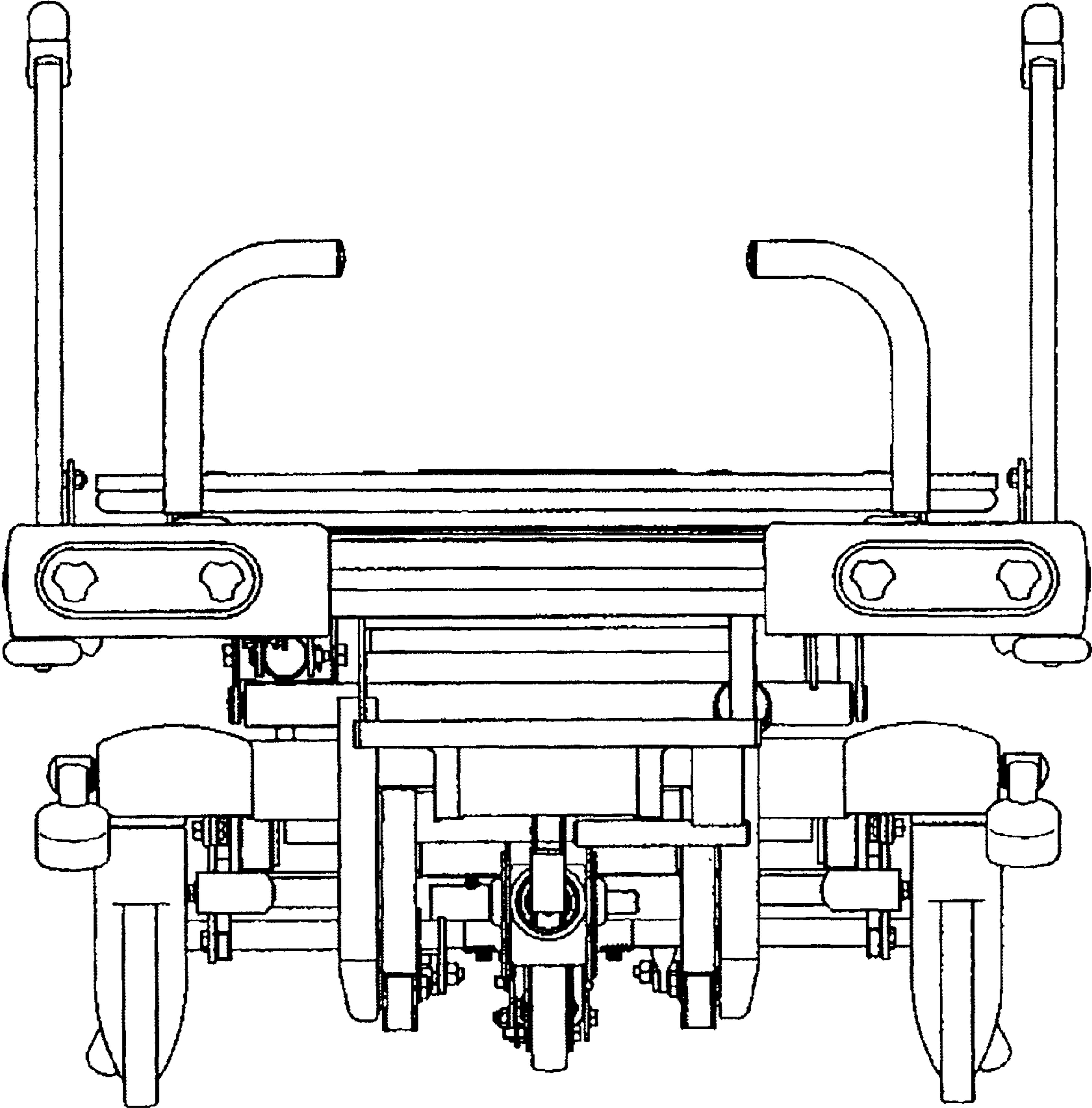


FIG. 4

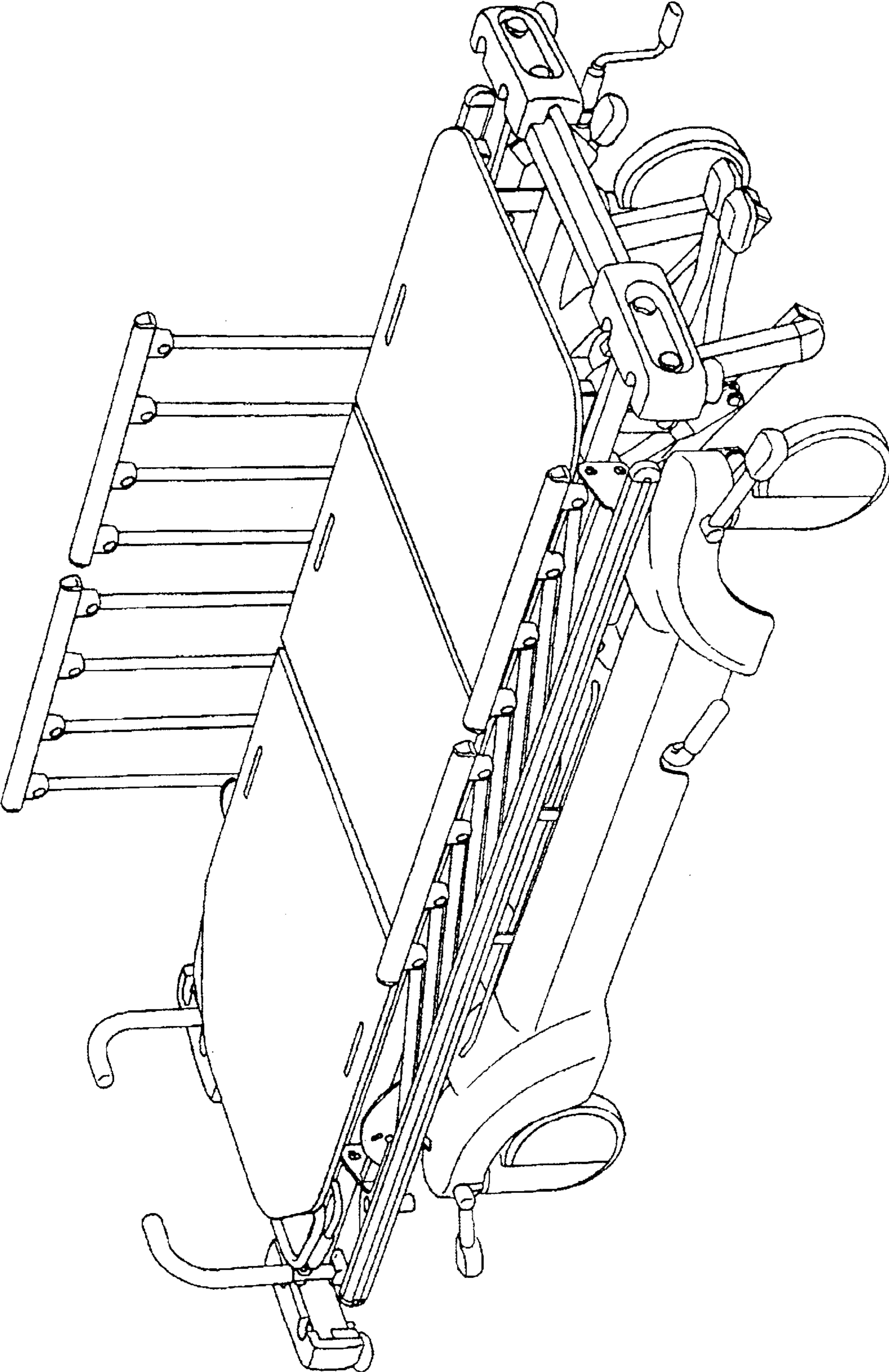


FIG. 5

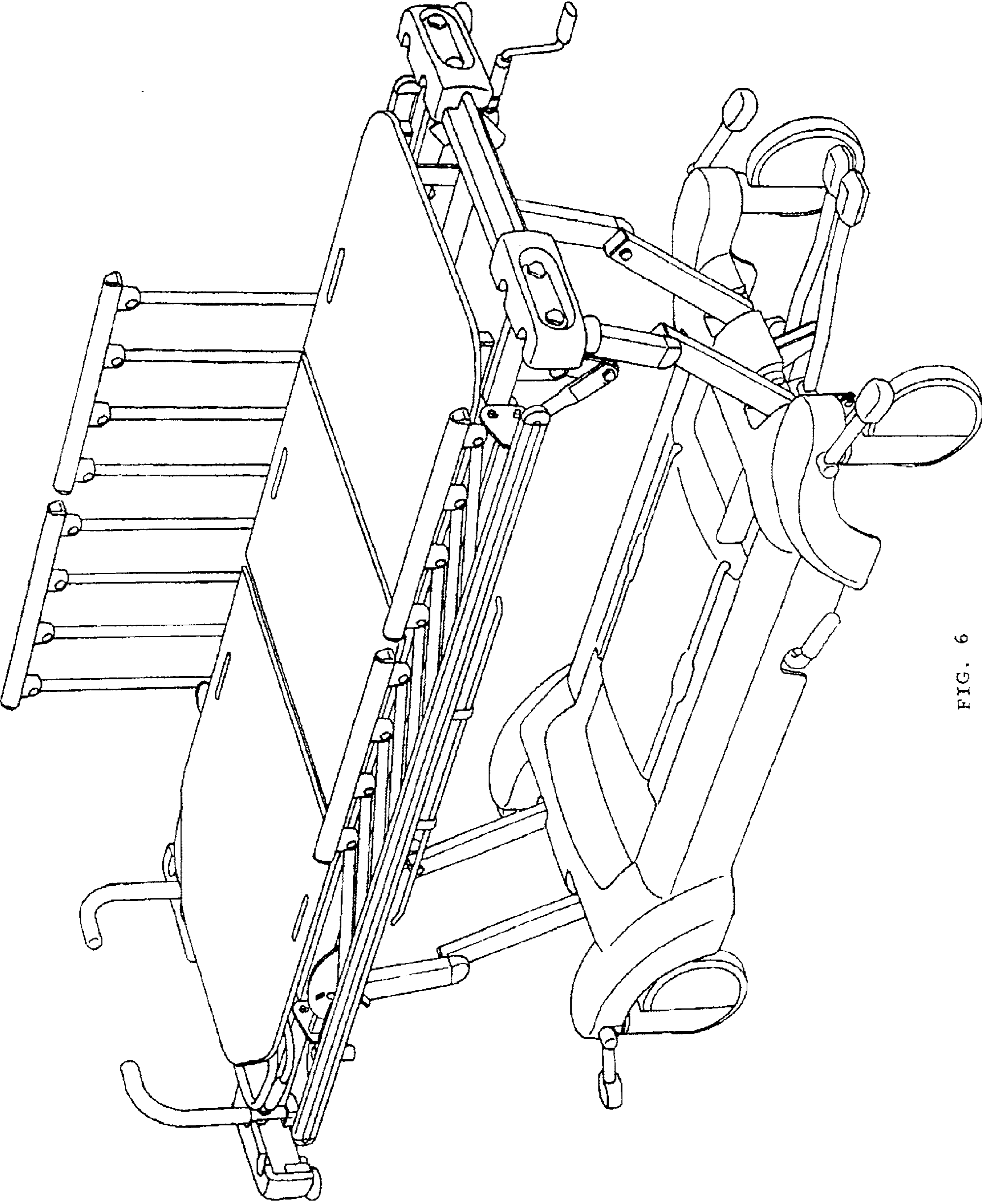


FIG. 6

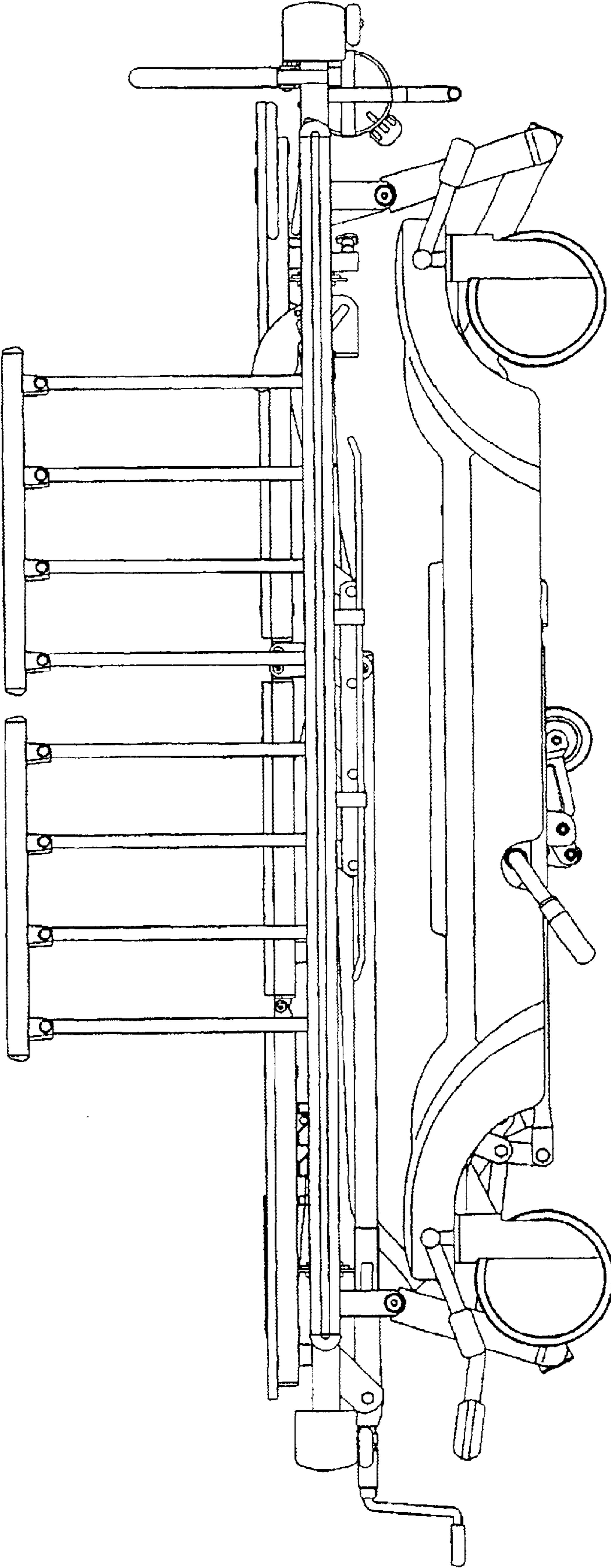


FIG. 7

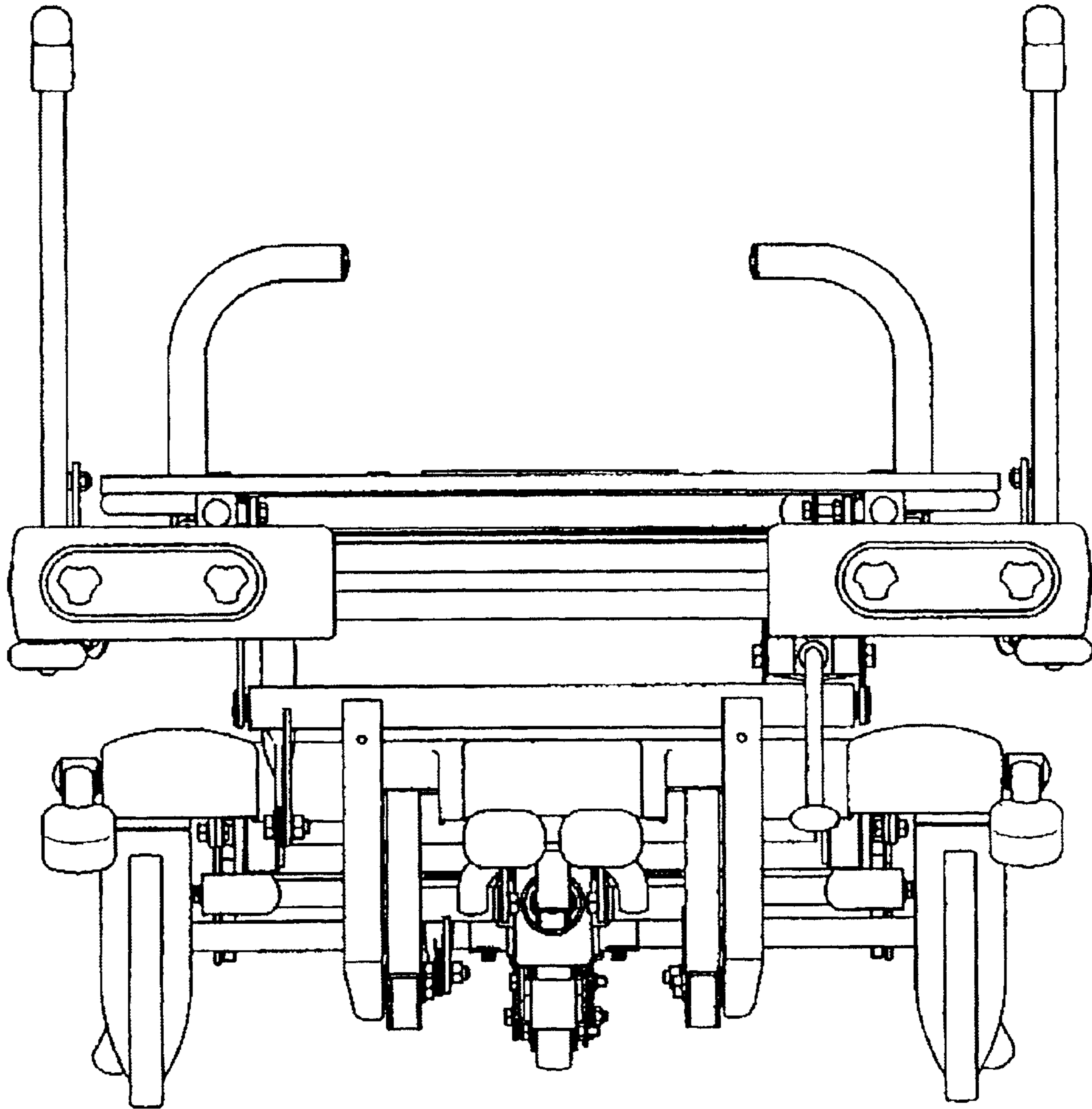


FIG. 8

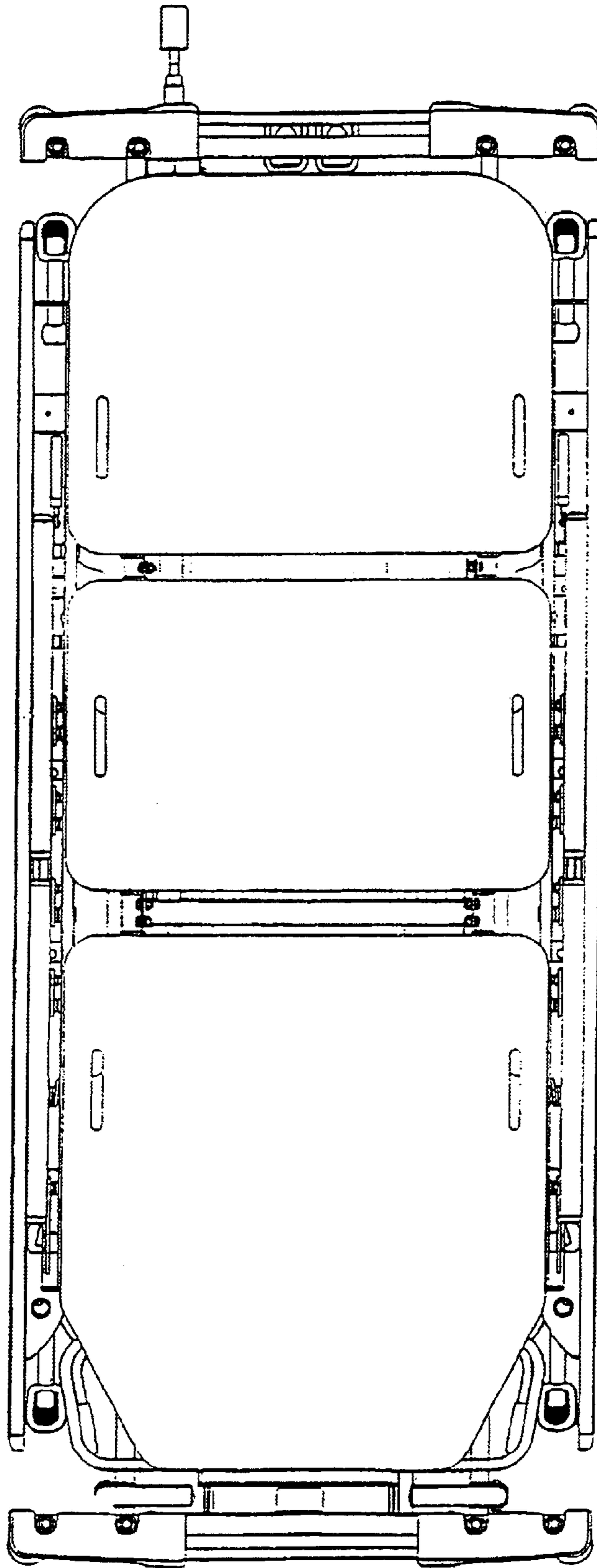


FIG. 9