

US00D501728S

(12) **United States Design Patent**
Conway et al.

(10) **Patent No.:** **US D501,728 S**

(45) **Date of Patent:** **** Feb. 15, 2005**

(54) **ACTUATOR JAW**

5,630,243 A * 5/1997 Federico et al. 15/104.94
6,745,427 B1 * 6/2004 Trenz et al. 15/104.94

(75) Inventors: **Simon M. Conway**, Burlington, WI (US); **Todd A. Zeilinger**, Chicago, IL (US)

* cited by examiner

Primary Examiner—Alan P. Douglas
Assistant Examiner—Lavone D. Tabor

(73) Assignee: **S. C. Johnson & Son, Inc.**, Racine, WI (US)

(57) **CLAIM**

(**) Term: **14 Years**

The ornamental design for an actuator jaw, as shown and described.

(21) Appl. No.: **29/193,166**

DESCRIPTION

(22) Filed: **Nov. 5, 2003**

The nature of this product is as a clamping jaw used in connection with a toilet brush to hold a brush head.

(51) **LOC (7) Cl.** **04-99**

FIG. 1 is a right, top, front perspective view of an actuator jaw embodying our new design;

(52) **U.S. Cl.** **D4/199; D32/35**

FIG. 2 is a right side elevational view thereof;

(58) **Field of Search** D4/135, 137, 138,

FIG. 3 is a left side elevational view thereof;

D4/199; D8/394, 395; D32/35, 51; 15/104.94,

FIG. 4 is a top plan view thereof;

143.1, 146, 147.1, 160, 164, 173, 211,

FIG. 5 is a bottom plan view thereof;

209.1, 210.1, 229.13, 244.1; 294/19.1, 100,

FIG. 6 is a front elevational view thereof; and,

115

FIG. 7 is a cross sectional view and partial rear elevational view thereof taken along line 7—7 of FIG. 2.

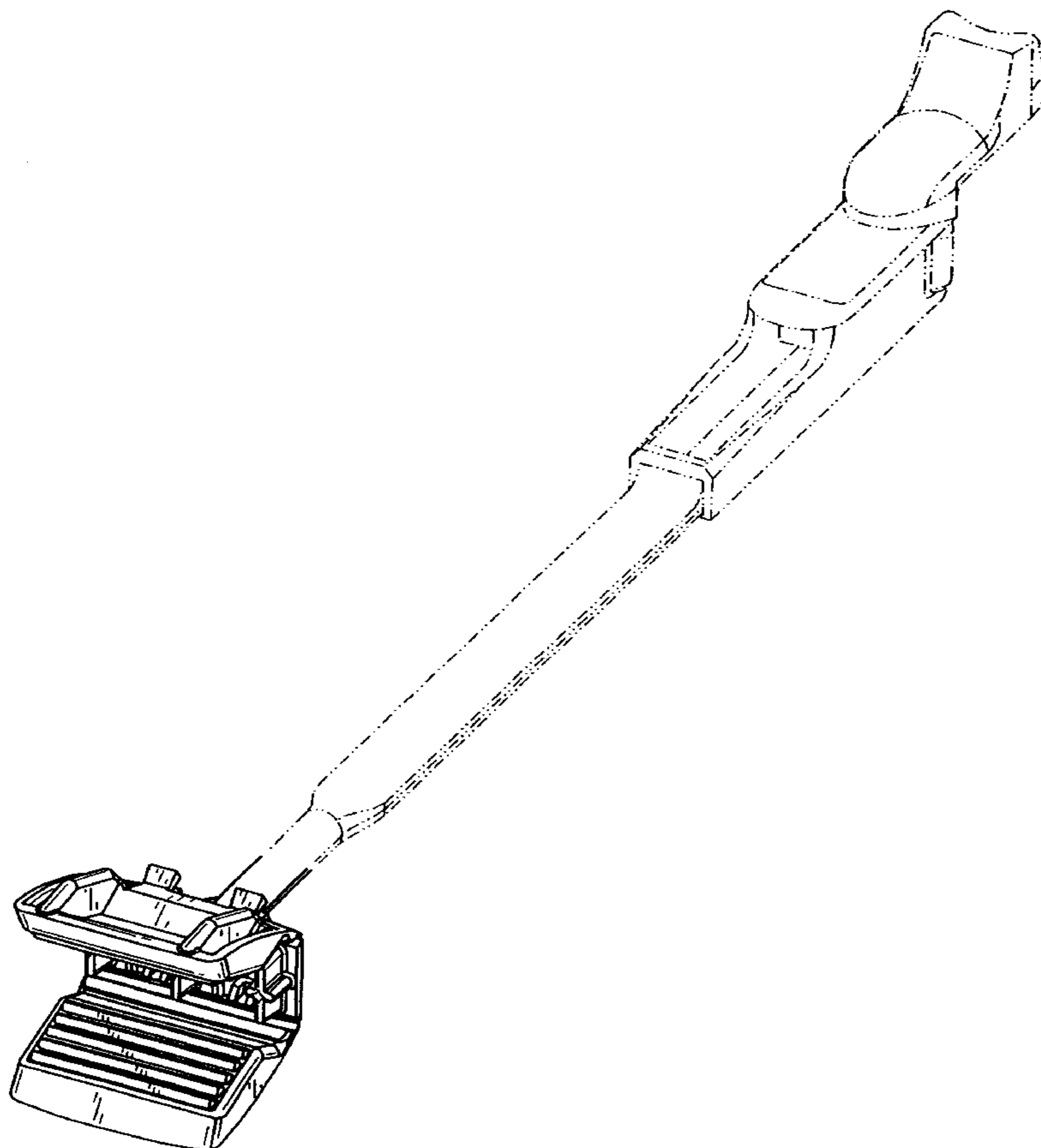
(56) **References Cited**

The broken line representations of an actuator rod and actuator projection in FIGS. 1–6 are for purposes of illustration only, and form no part of the claimed design.

U.S. PATENT DOCUMENTS

245,585 A 8/1881 Tracy
4,031,673 A 6/1977 Hagelberg
4,987,634 A * 1/1991 Weihrauch 15/209.1

1 Claim, 3 Drawing Sheets



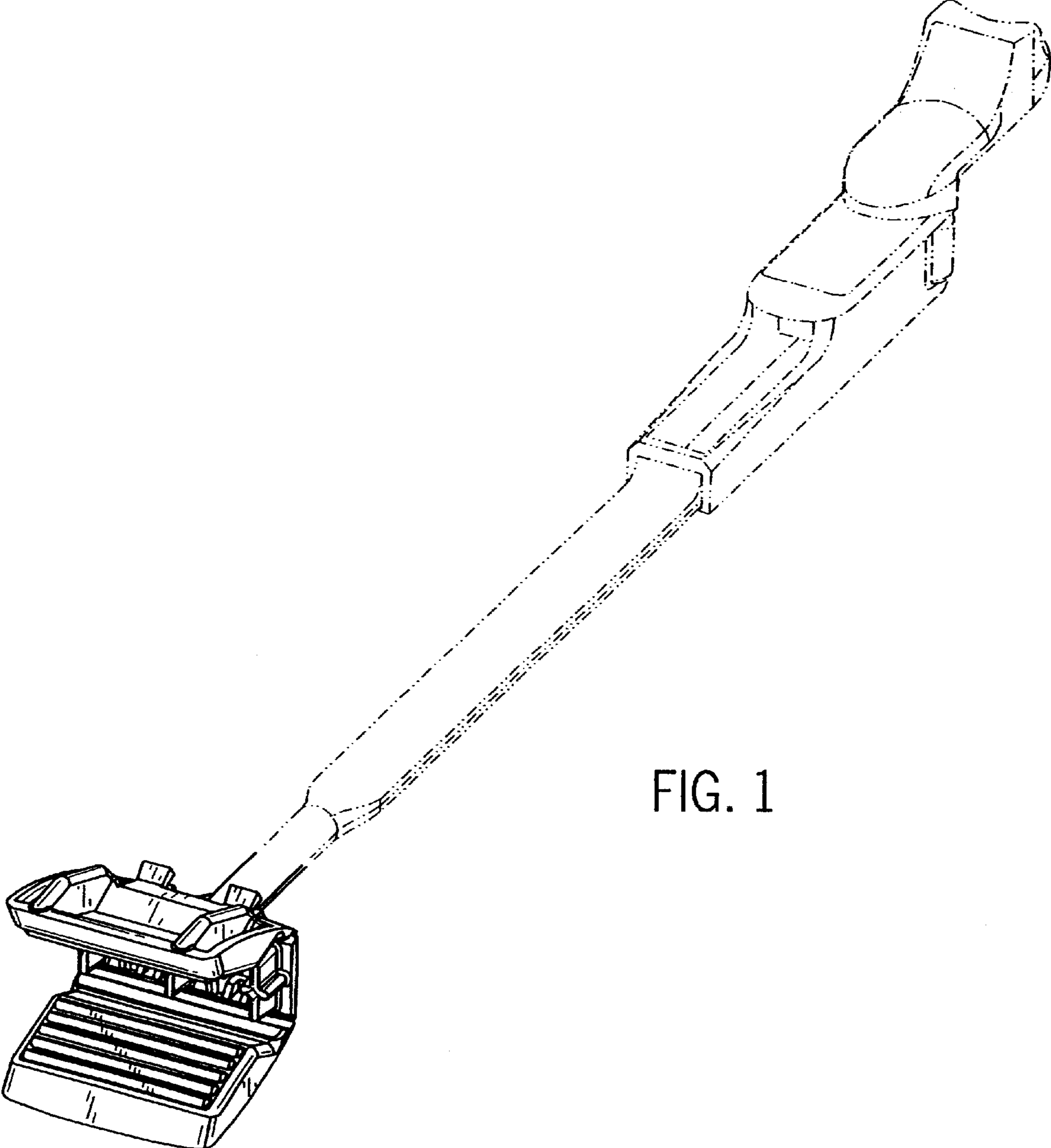


FIG. 1

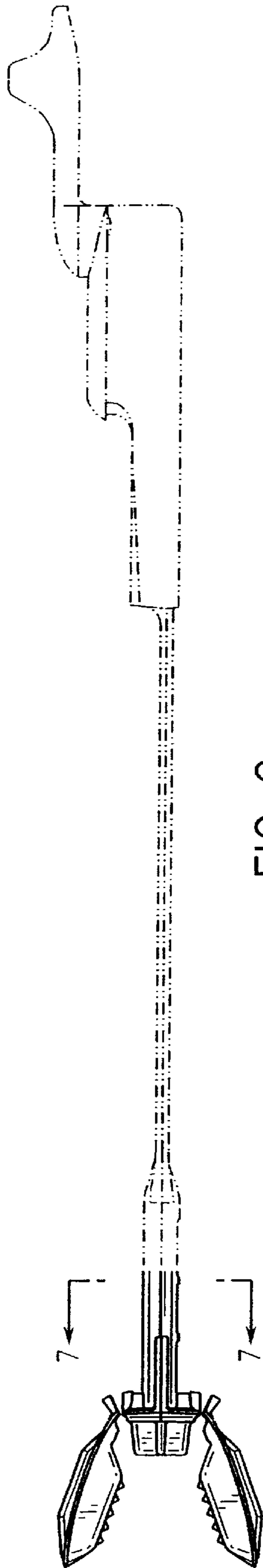


FIG. 2

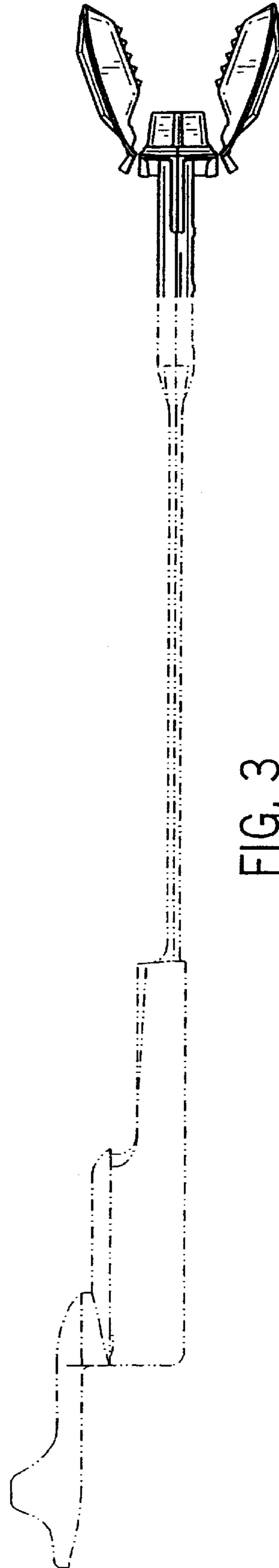


FIG. 3

