

US00D501727S

(12) **United States Design Patent**  
**Liu**

(10) **Patent No.:** **US D501,727 S**

(45) **Date of Patent:** **\*\* Feb. 15, 2005**

(54) **SNOW BRUSH**

(76) **Inventor:** **Te-Ching Liu**, P.O. Box 96-405, Taipei  
106 (TW)

(\*\*) **Term:** **14 Years**

(21) **Appl. No.:** **29/203,548**

(22) **Filed:** **Apr. 13, 2004**

(51) **LOC (7) Cl.** ..... **04-01**

(52) **U.S. Cl.** ..... **D4/118; D4/129**

(58) **Field of Search** ..... D4/118, 129, 132,  
D4/134, 138; D32/42, 48, 49; 15/105, 111,  
117, 143.1, 144.1, 144.3, 144.4, 145, 159.1,  
160, 176.1, 236.01, 236.02, 236.08; 16/110.1,  
430, 431

(56) **References Cited**

**U.S. PATENT DOCUMENTS**

D335,771 S \* 5/1993 Mallory et al. .... D4/118  
D346,903 S \* 5/1994 Hillmer ..... D4/118  
5,517,710 A \* 5/1996 Hisey ..... 15/160 X

D441,198 S \* 5/2001 Primeau ..... D4/118  
6,243,906 B1 \* 6/2001 Holliday et al. .... 15/111  
D453,075 S \* 1/2002 Liu ..... D4/118  
D485,032 S \* 1/2004 Anderson et al. .... D32/42

\* cited by examiner

*Primary Examiner*—Alan P. Douglas  
*Assistant Examiner*—Lavone D. Tabor

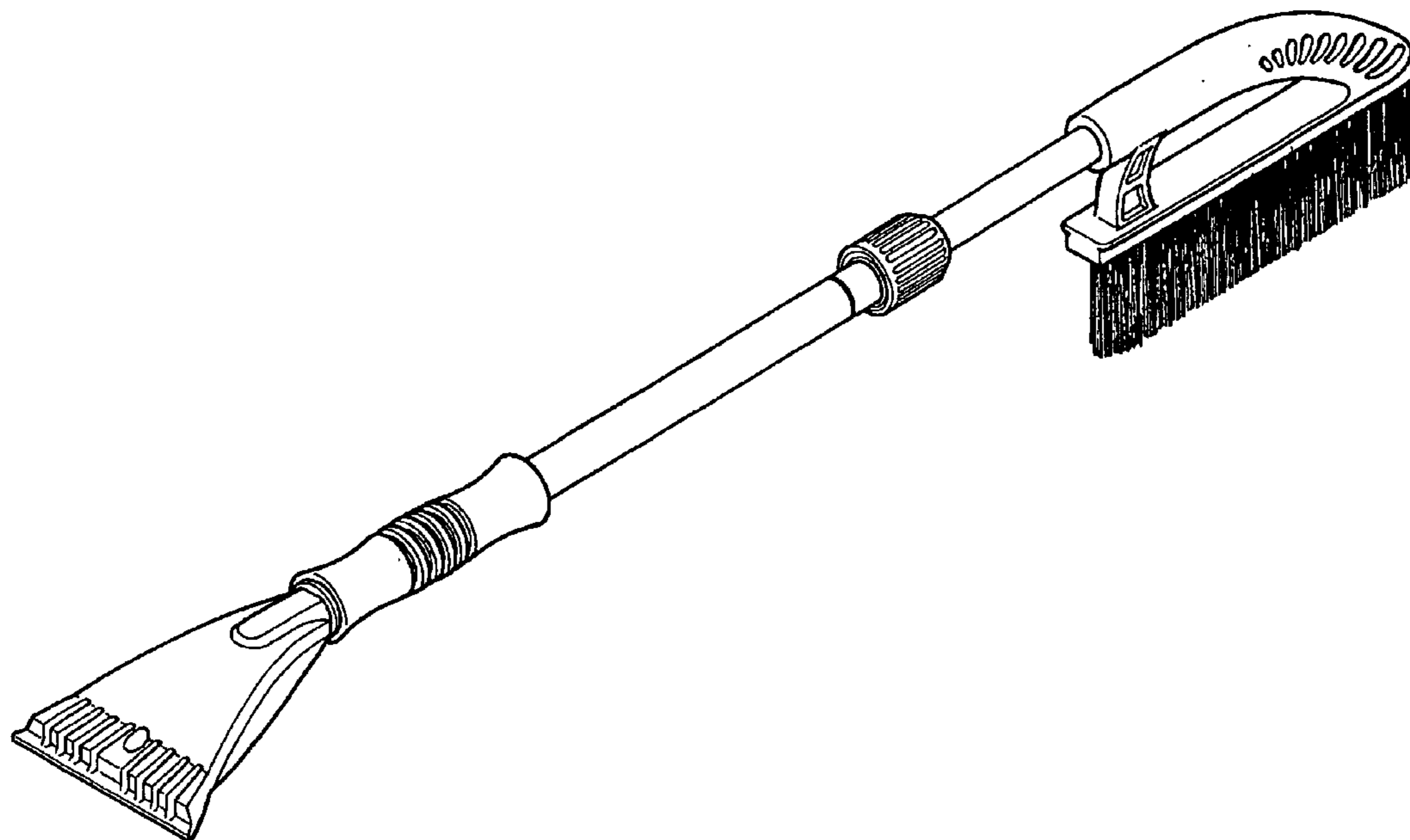
(57) **CLAIM**

The ornamental design for a snow brush, as shown.

**DESCRIPTION**

FIG. 1 is a perspective view of a snow brush showing my new design;  
FIG. 2 is a front elevational view;  
FIG. 3 is a rear elevational view;  
FIG. 4 is a top plan view;  
FIG. 5 is a bottom plan view;  
FIG. 6 is a left side elevational view; and,  
FIG. 7 is a right side elevational view.

**1 Claim, 5 Drawing Sheets**



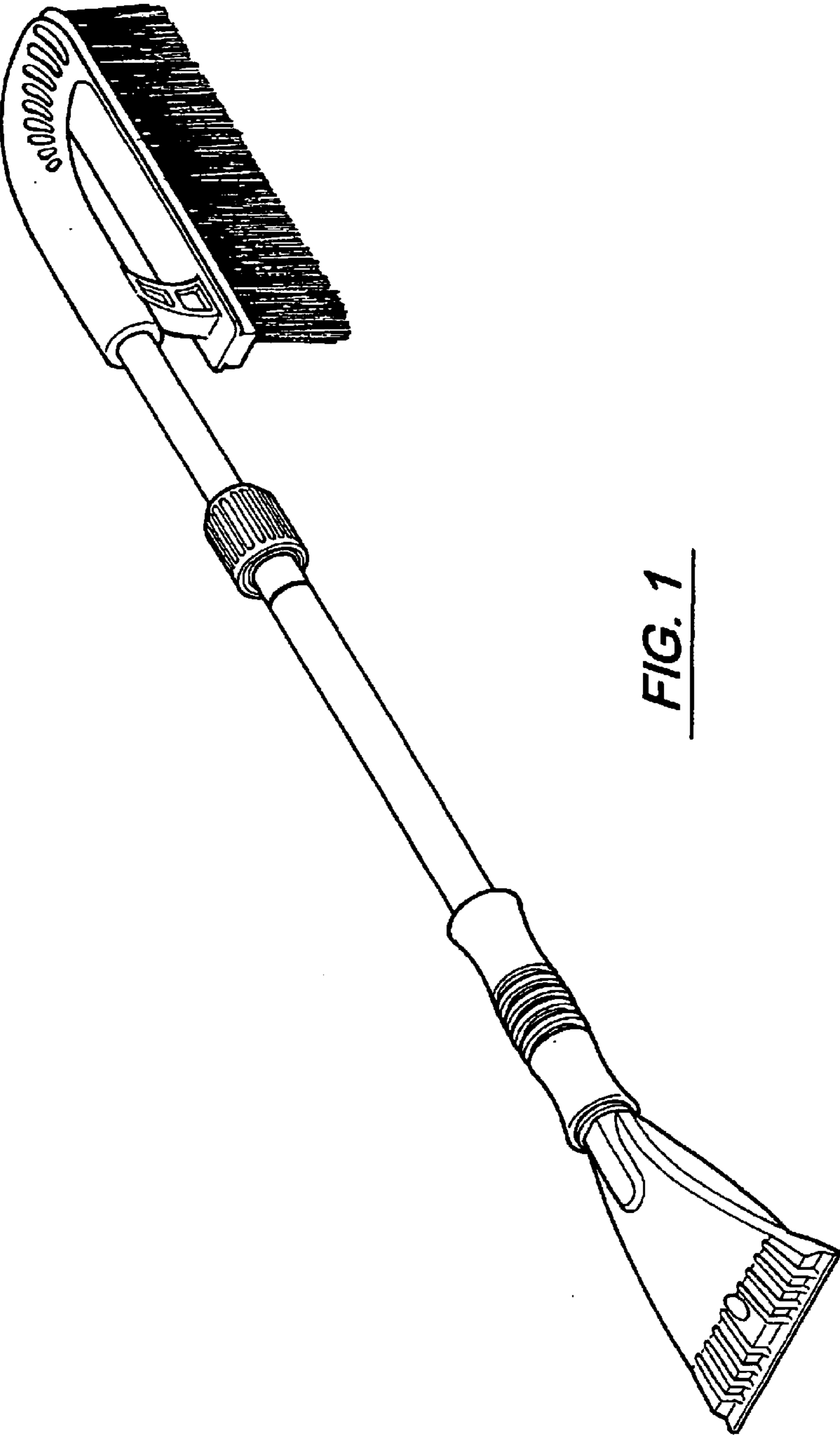


FIG. 1

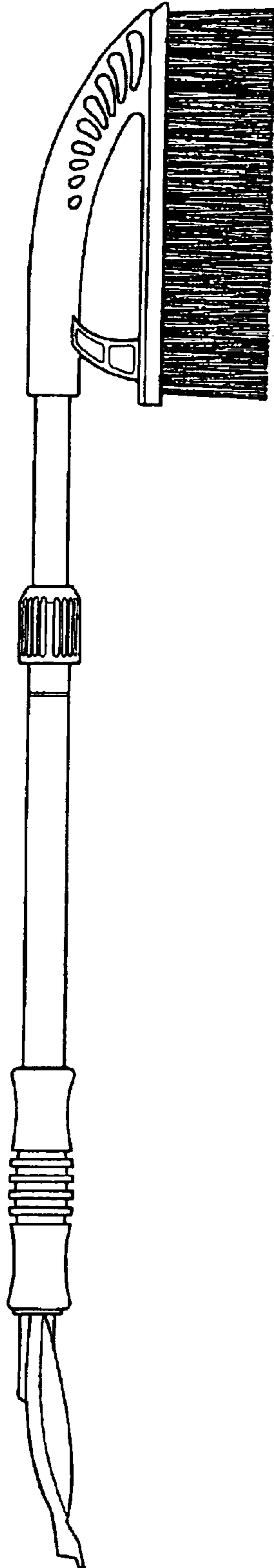


FIG. 2

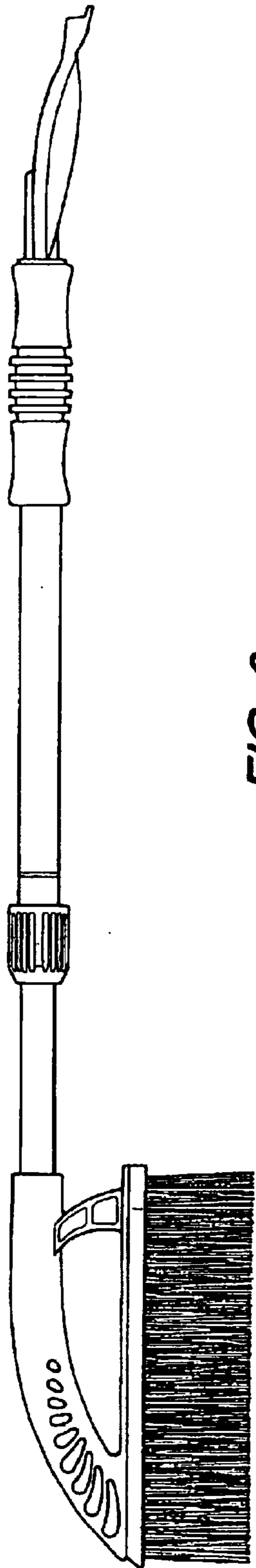
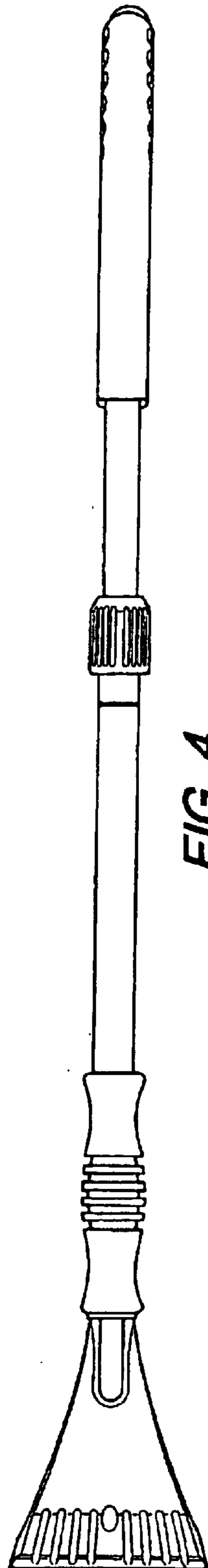
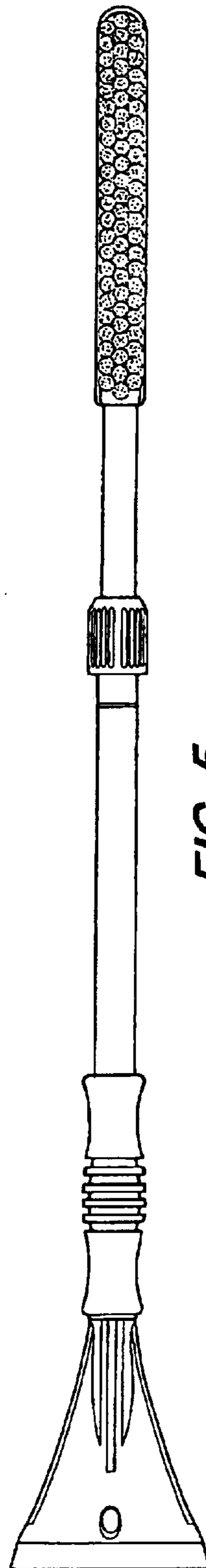


FIG. 3



*FIG. 4*



*FIG. 5*

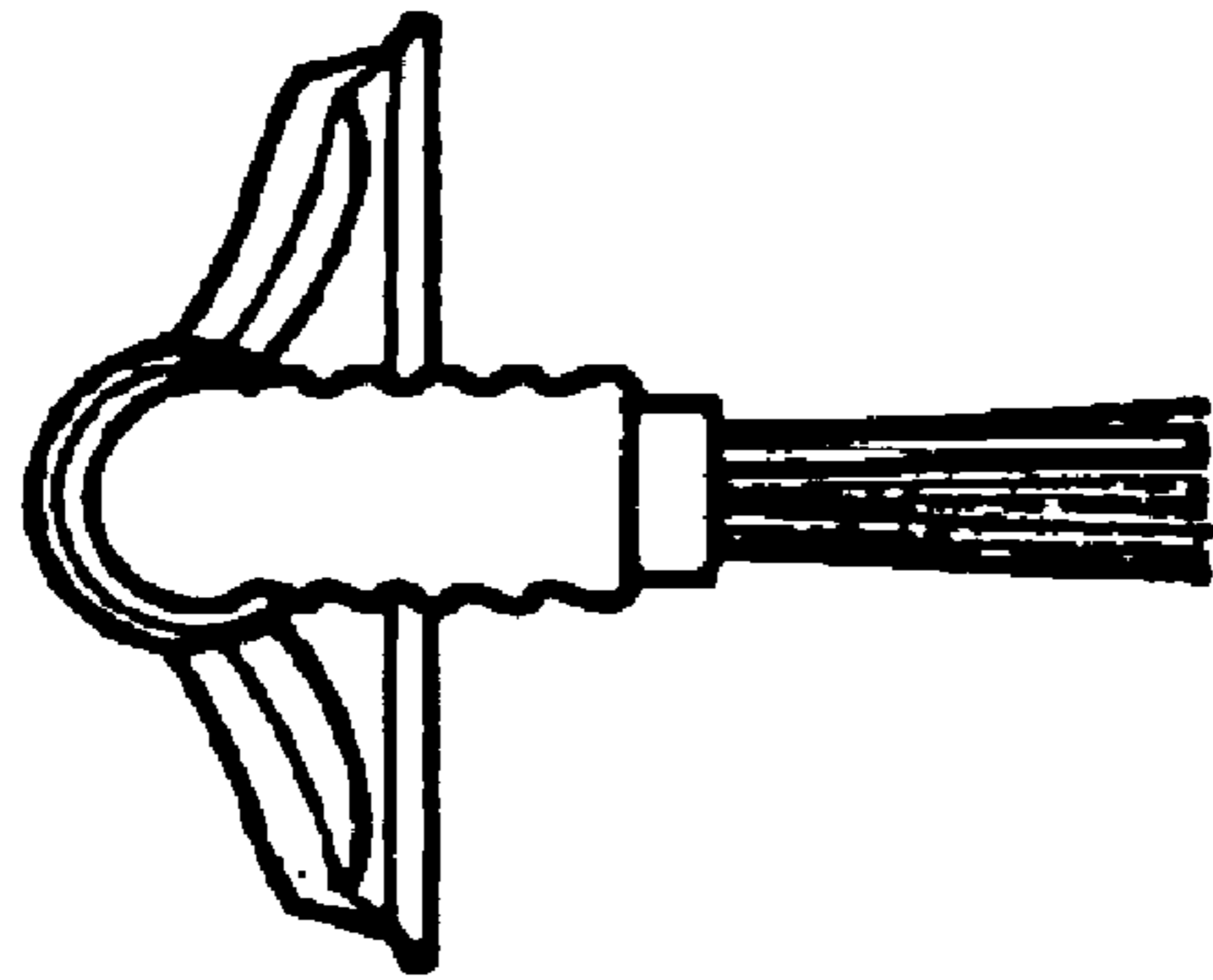


FIG. 7

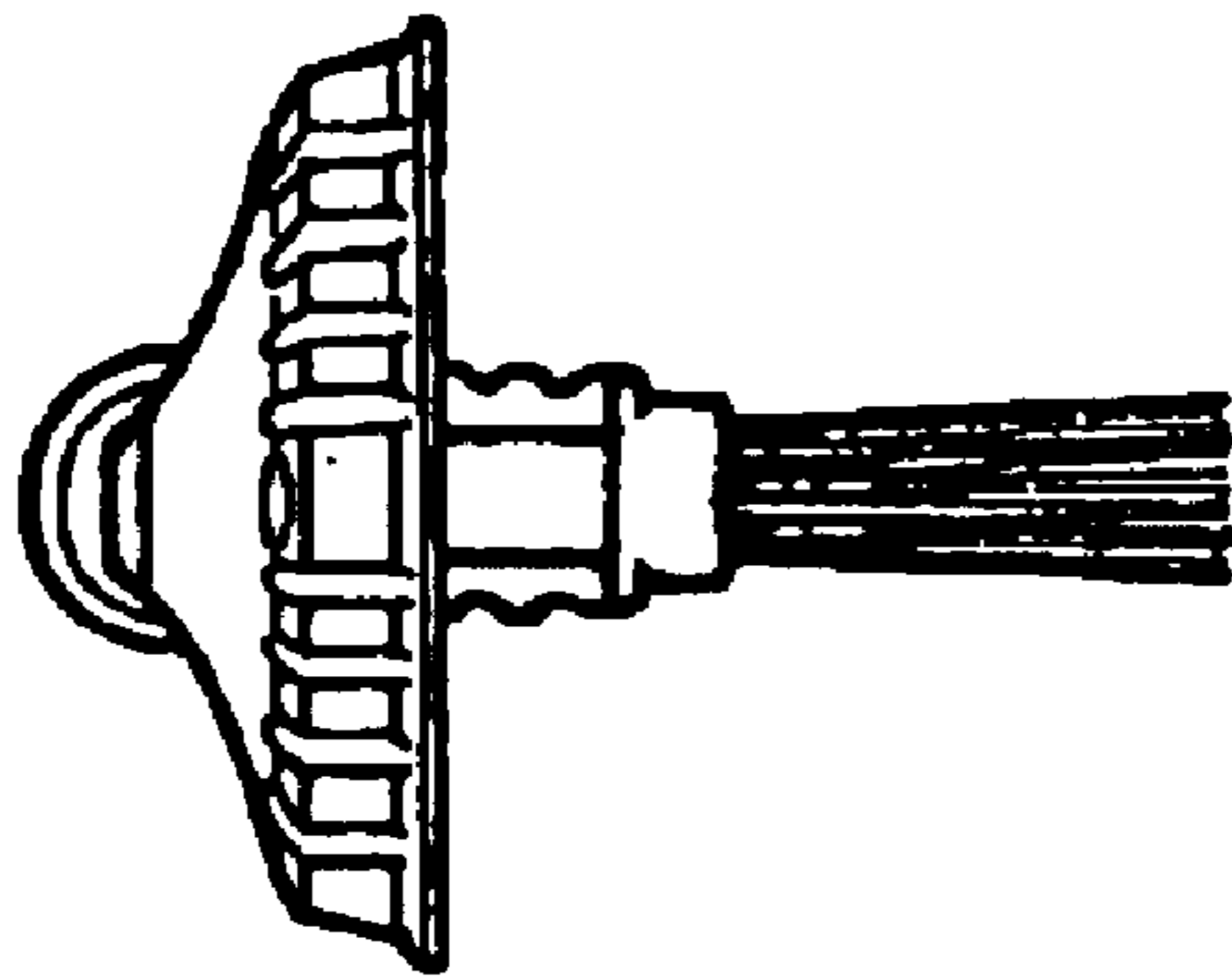


FIG. 6