

US00D501719S

(12) **United States Design Patent**
Tauchen

(10) **Patent No.:** **US D501,719 S**
(45) **Date of Patent:** **** Feb. 15, 2005**

- (54) **TENNIS BAG**
- (75) **Inventor:** **Lynne V. Tauchen**, Las Vegas, NV (US)
- (73) **Assignee:** **Jet Imports, Inc.**, Las Vegas, NV (US)
- (**) **Term:** **14 Years**
- (21) **Appl. No.:** **29/194,876**
- (22) **Filed:** **Dec. 2, 2003**

- D281,119 S 10/1985 Kalkus
- D281,290 S 11/1985 Beigel
- D284,620 S 7/1986 Calton
- D284,715 S 7/1986 Jacober et al.
- 4,673,117 A 6/1987 Calton
- 4,752,008 A 6/1988 Pratt
- 4,805,748 A 2/1989 Gerch
- 4,810,102 A 3/1989 Norton
- D320,692 S 10/1991 Killer
- 5,071,126 A 12/1991 Baugh

(List continued on next page.)

- (51) **LOC (7) Cl.** **03-01**
- (52) **U.S. Cl.** **D3/256; D3/217; D3/221**
- (58) **Field of Search** **D3/217, 221, 254, D3/256, 289; 206/315.1, 315.9; 190/103; 224/650**

OTHER PUBLICATIONS

Flyer for Jet Bag 2002/2003 Collection, circa Jan. 2003.
Photos of Tennis Bag on sale prior to Dec. 2, 2002, 12 pages.

Primary Examiner—Philip S. Hyder
(74) *Attorney, Agent, or Firm*—Bose McKinney & Evans LLP

(56) **References Cited**

U.S. PATENT DOCUMENTS

- 3,346,155 A 10/1967 Oechsle
- D232,270 S * 7/1974 Glantz et al. D3/256
- D238,010 S * 12/1975 Canton D3/256
- 3,963,103 A * 6/1976 Cowen, III 206/315.1
- D246,940 S 1/1978 Sabol
- 4,085,873 A 4/1978 Schweitzer
- 4,119,127 A 10/1978 Klug
- 4,153,092 A 5/1979 Haslam
- 4,164,968 A 8/1979 Esposito, Jr. et al.
- RE30,138 E 11/1979 Cowen, III
- D262,072 S * 12/1981 Pfeiffer D3/256
- D268,712 S * 4/1983 Hoberman et al. D3/256
- 4,378,866 A * 4/1983 Pelavin 190/111
- D273,534 S 4/1984 Weinreb
- 4,506,769 A 3/1985 Franco et al.

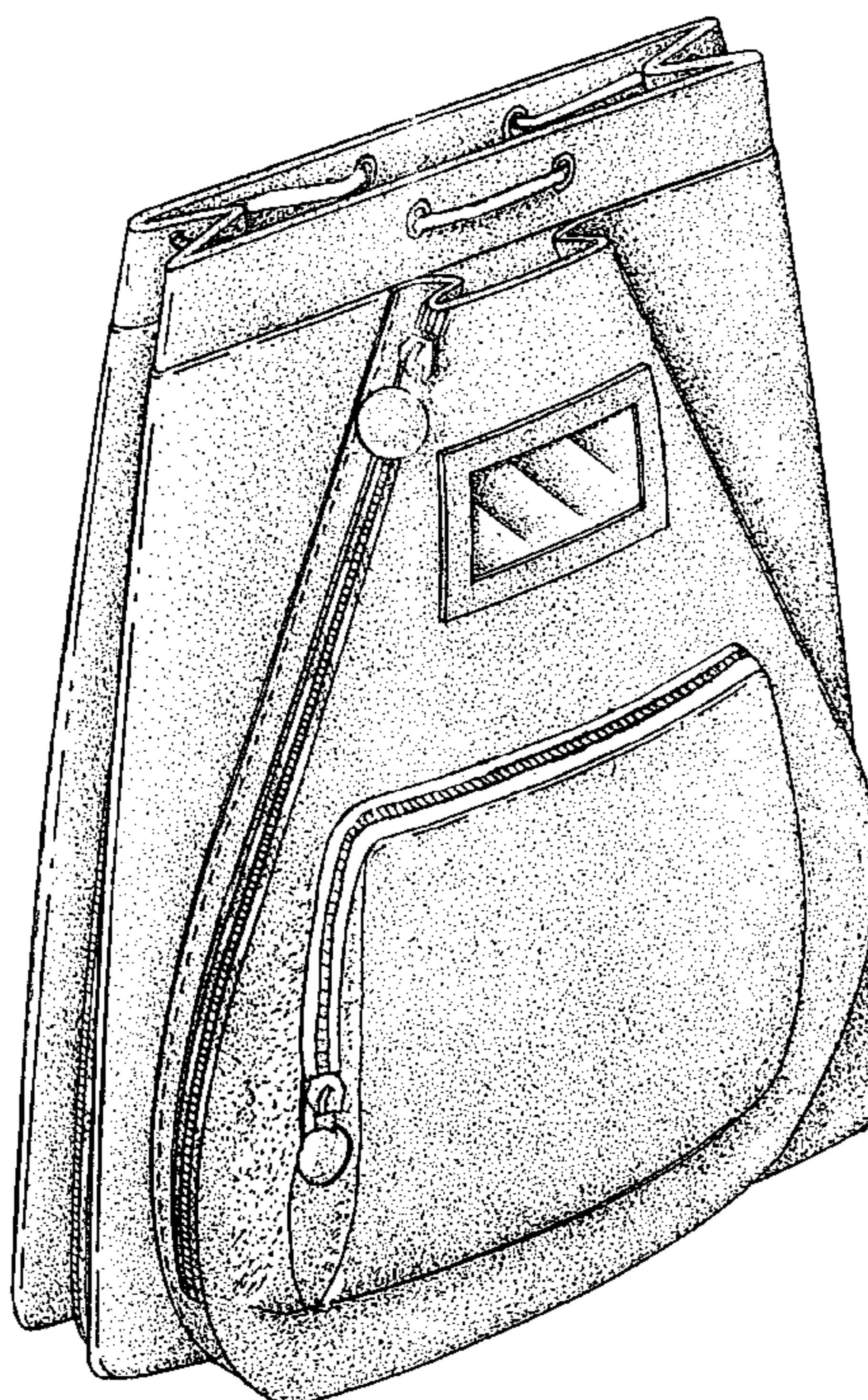
(57) **CLAIM**

The ornamental design for a tennis bag, as shown and described.

DESCRIPTION

FIG. 1 is a perspective view as seen from the top, front, and left side of a tennis bag of the present invention;
FIG. 2 is a top plan view thereof;
FIG. 3 is a bottom plan view thereof;
FIG. 4 is a front elevational view thereof;
FIG. 5 is a rear elevational view thereof;
FIG. 6 is a right side elevational view thereof; and,
FIG. 7 is a left side elevational view thereof.

1 Claim, 4 Drawing Sheets



US D501,719 S

Page 2

U.S. PATENT DOCUMENTS

D340,351 S	10/1993	Wrath	6,053,340 A	4/2000	Cameron
D354,851 S	1/1995	Smith et al.	D425,698 S	5/2000	Paul et al.
5,415,332 A	5/1995	Kliot	6,138,881 A	10/2000	Paul et al.
5,431,265 A	7/1995	Yoo	6,168,060 B1	1/2001	Mayers
5,431,317 A	7/1995	Kliot	6,182,878 B1	2/2001	Racca
5,509,279 A	4/1996	Brown et al.	6,328,192 B1	12/2001	Sundara et al.
5,529,229 A	6/1996	Fier	6,336,577 B1	1/2002	Harris et al.
5,558,259 A	9/1996	Izzo	D455,009 S	4/2002	Thayer
D375,403 S	11/1996	Melk	6,367,674 B1	4/2002	Tabor
D378,165 S	2/1997	Tucker	D458,749 S	6/2002	Bruni et al.
5,839,577 A	11/1998	Friedler	6,427,886 B1	8/2002	Essex
5,881,875 A	3/1999	Beurekjian	6,460,746 B1	10/2002	Amram
5,950,894 A	9/1999	Haber	D471,353 S	3/2003	Ho
5,975,293 A	11/1999	Fowler	6,530,507 B2	3/2003	Oh
5,979,727 A	11/1999	Steurer	6,595,358 B1	7/2003	Speck
6,009,995 A	1/2000	Speck	6,619,519 B1	9/2003	Nix et al.
6,029,830 A	2/2000	Manookian			

* cited by examiner

FIG - 1

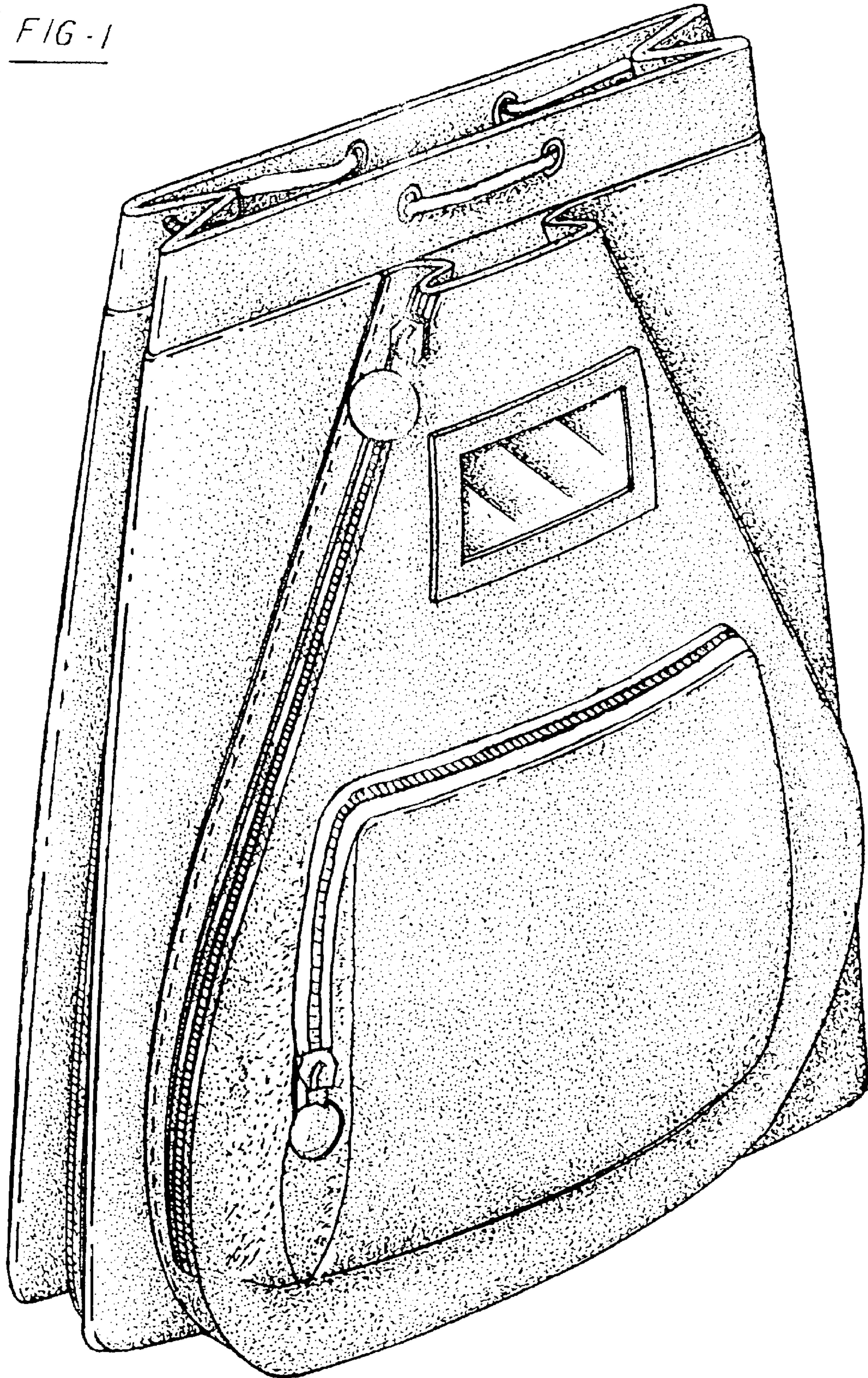


FIG-2

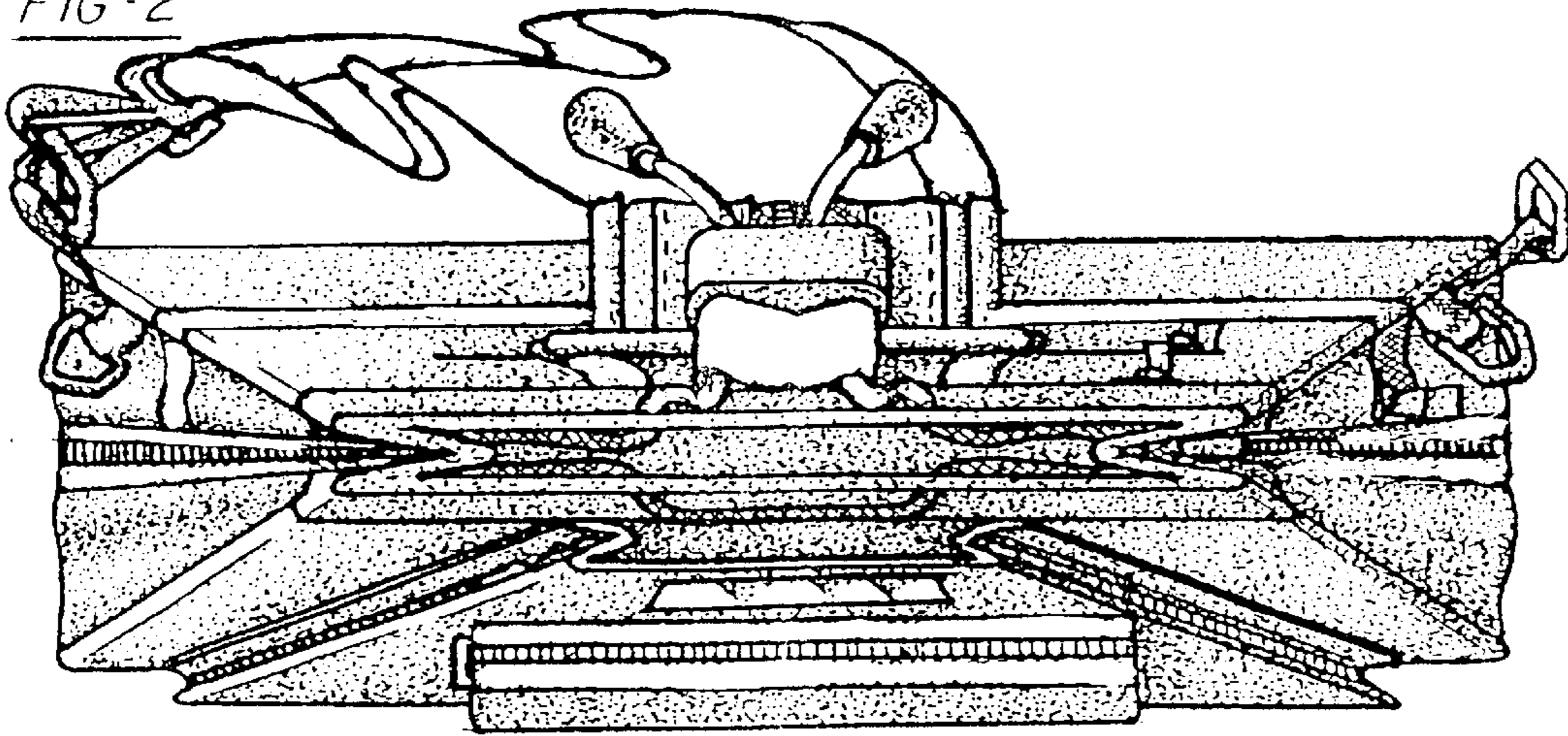
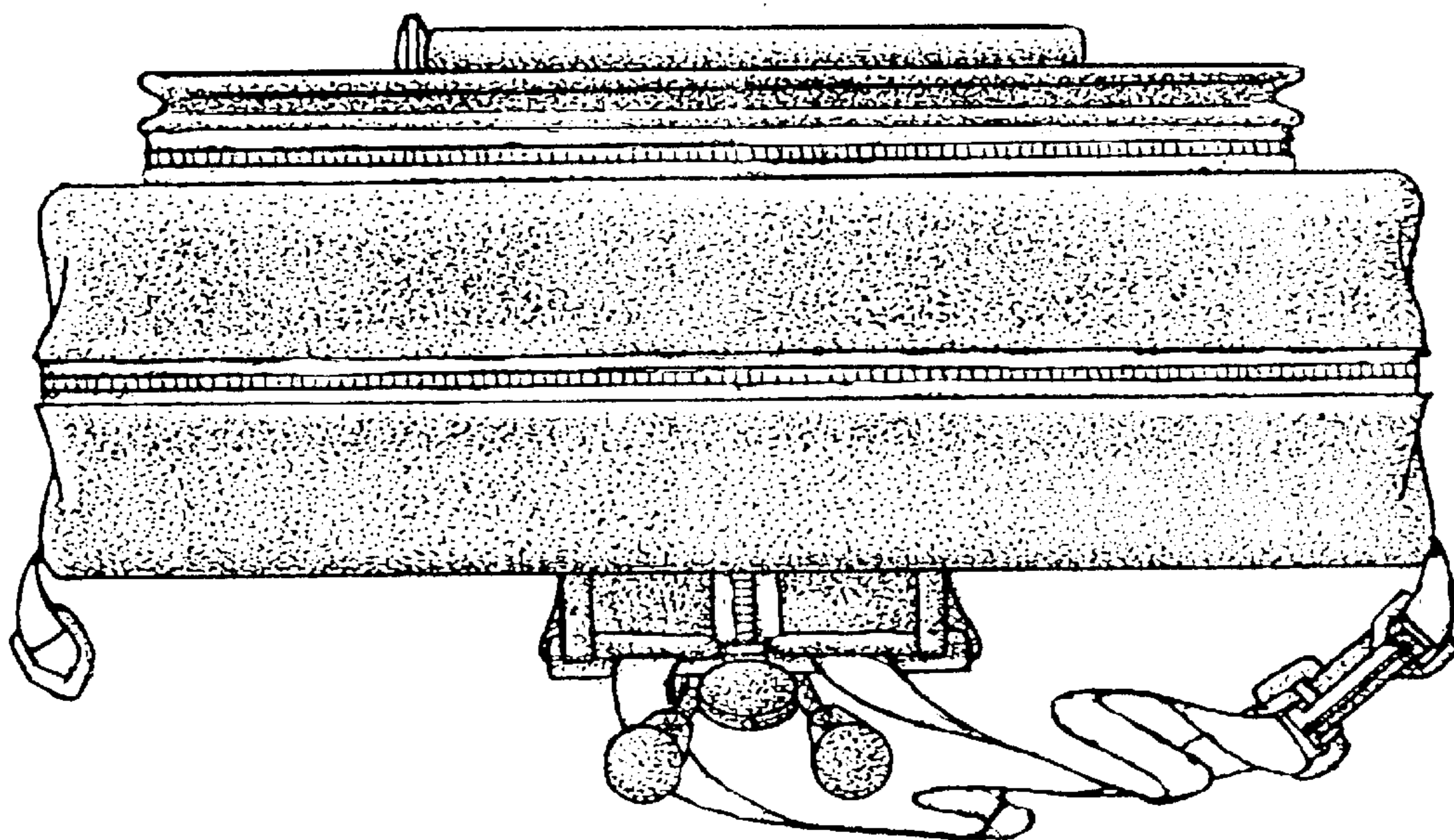


FIG-3



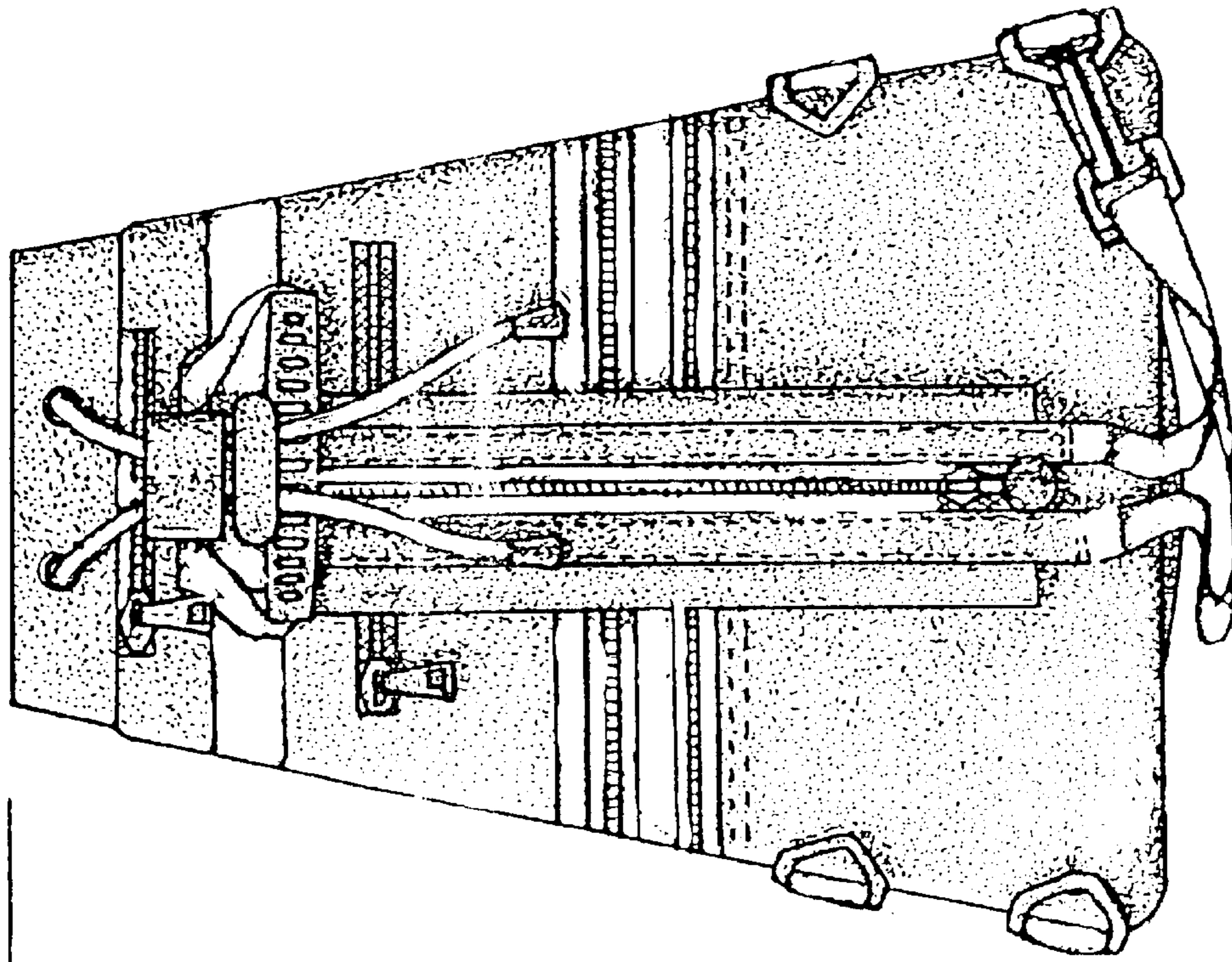


FIG-5

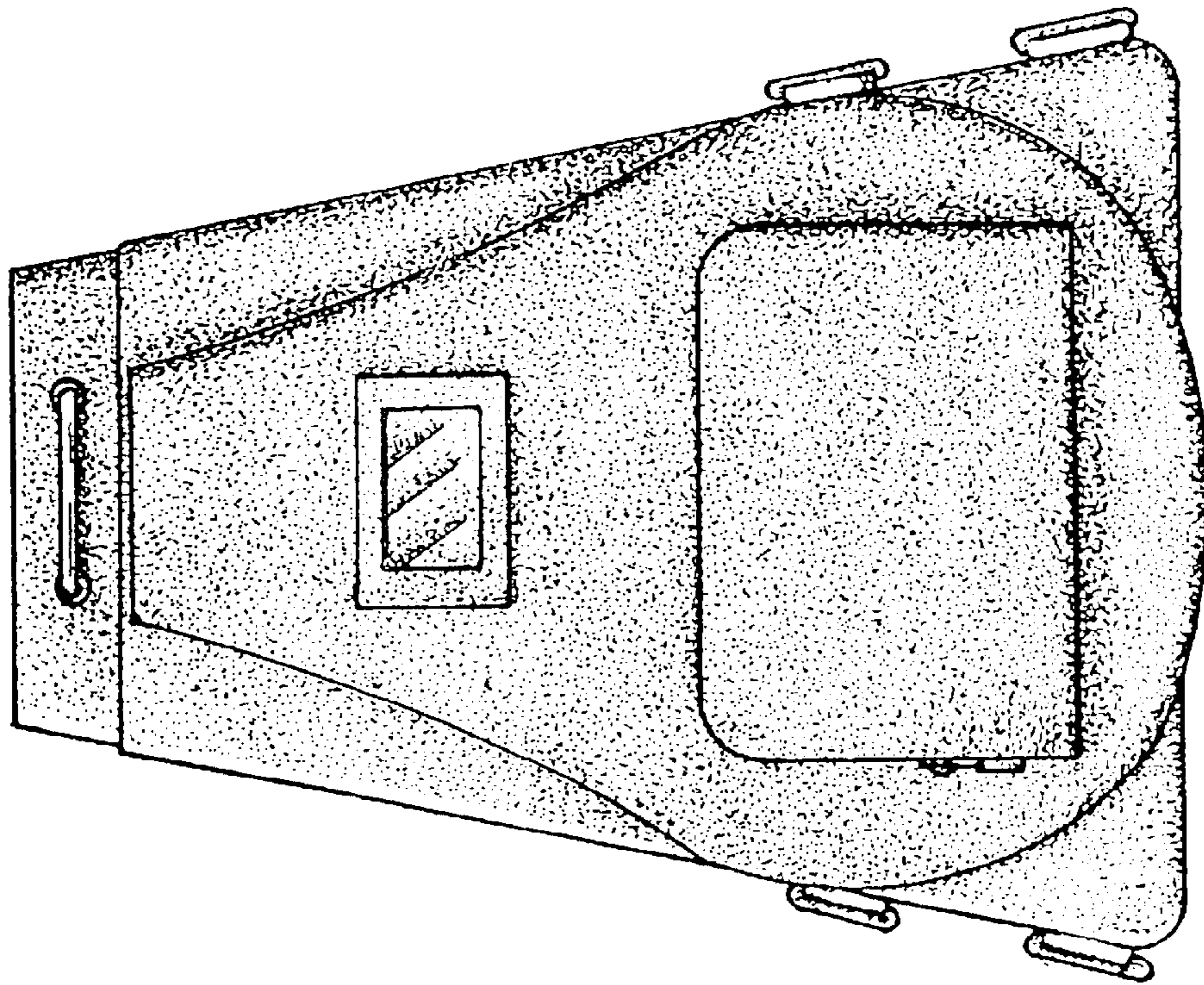


FIG-4

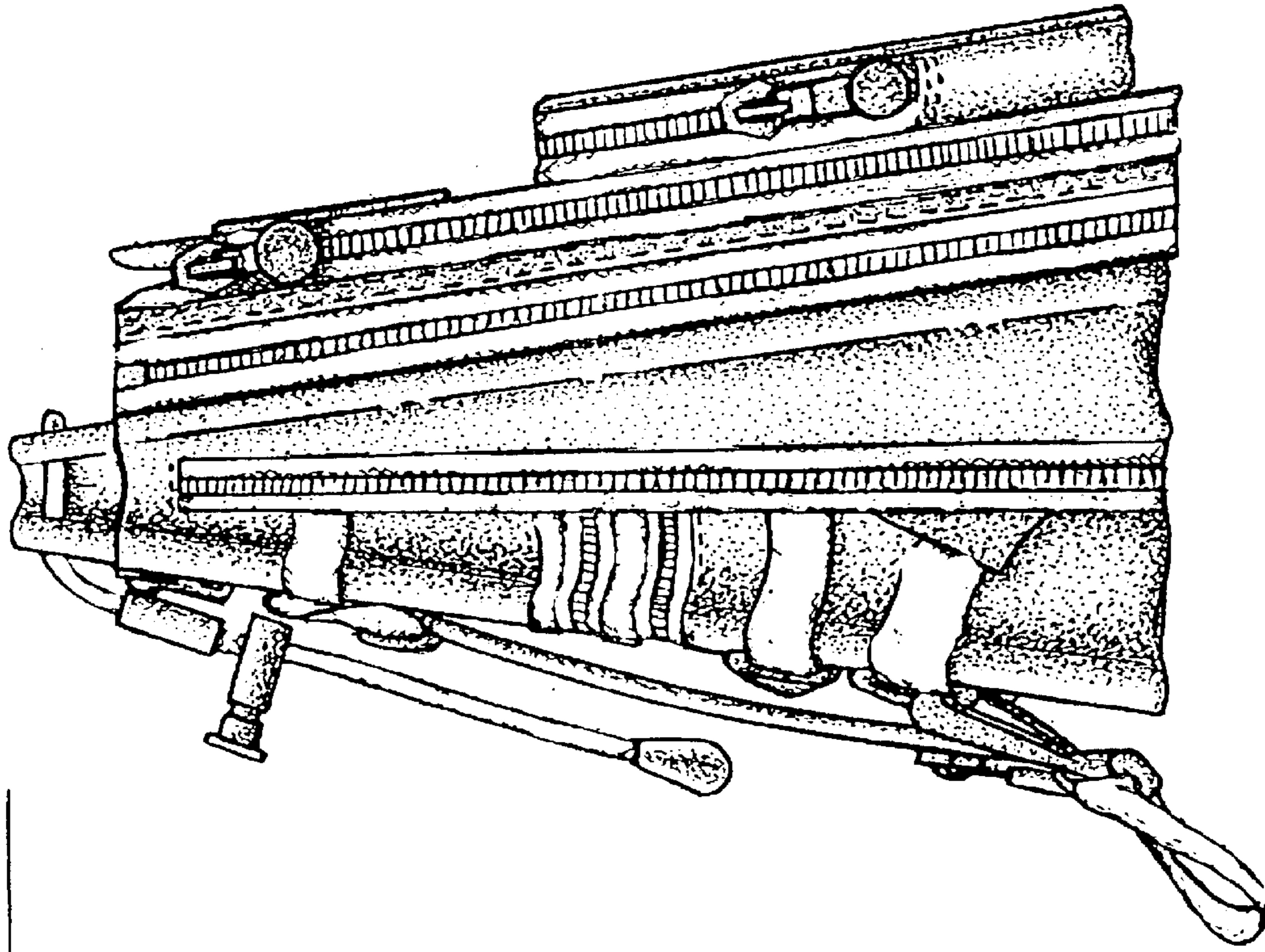


FIG. 7

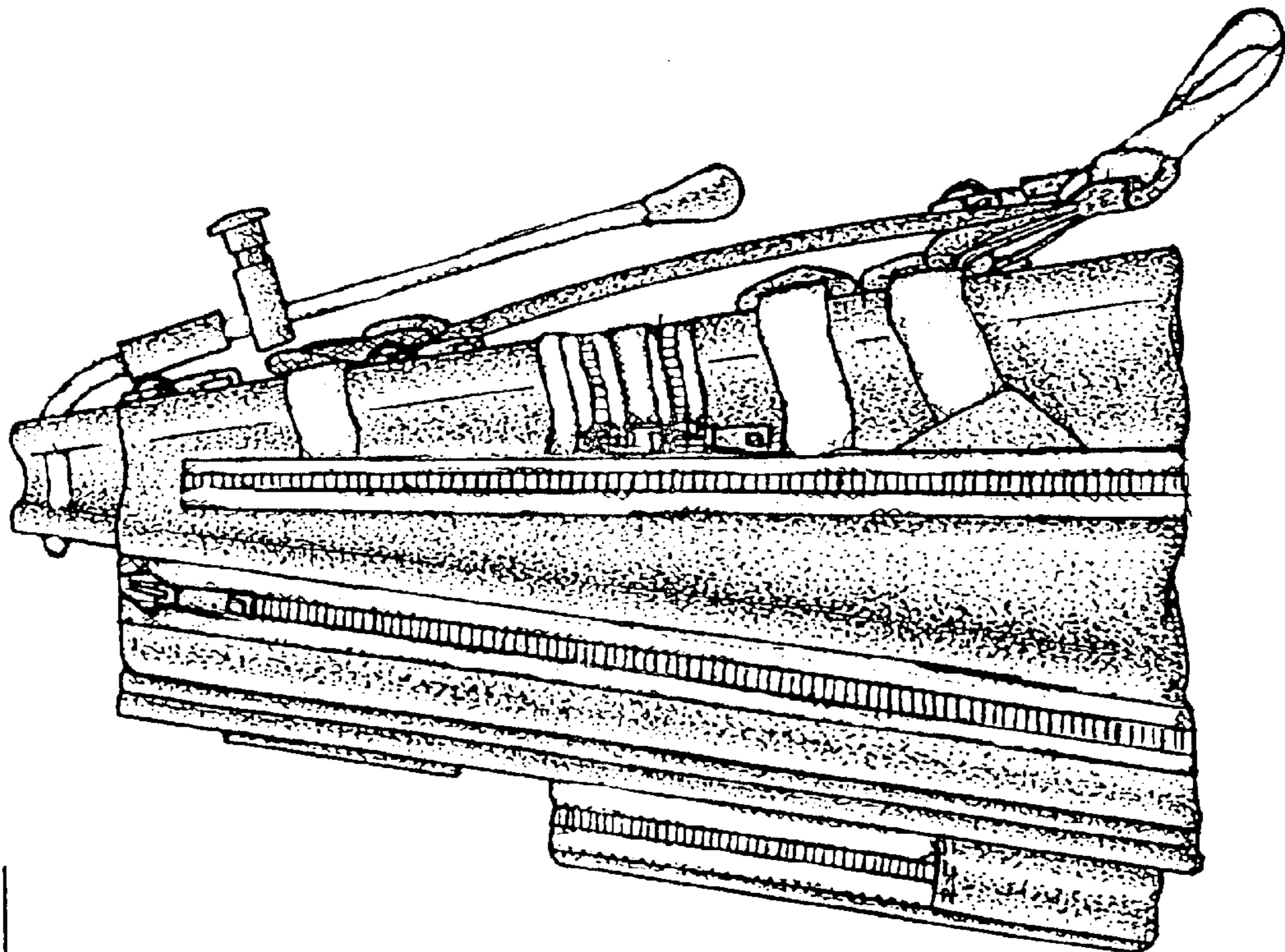


FIG. 6