



US00D501698S

(12) **United States Design Patent**
McNamara

(10) **Patent No.:** **US D501,698 S**

(45) **Date of Patent:** **** Feb. 15, 2005**

(54) **DOG CHEW**

D206,120 S * 11/1966 Johnson D25/199

(75) **Inventor:** **Sharon McNamara**, Kinnelon, NJ (US)

* cited by examiner

(73) **Assignee:** **The Hartz Mountain Corporation**,
Secaucus, NJ (US)

Primary Examiner—Pamela Burgess
(74) *Attorney, Agent, or Firm*—Jeffrey M. Kaden; Gottlieb,
Rackman & Reisman, P.C.

(**) **Term:** **14 Years**

(57) **CLAIM**

(21) **Appl. No.:** **29/190,610**

The ornamental design for dog chew, as shown and described.

(22) **Filed:** **Sep. 23, 2003**

DESCRIPTION

(51) **LOC (7) Cl.** **01-06**

(52) **U.S. Cl.** **D1/199; D30/160**

(58) **Field of Search** D1/199; D6/495;
D24/200; D21/680-681, 684, 386; D25/199;
434/159; 426/104, 805; D30/160

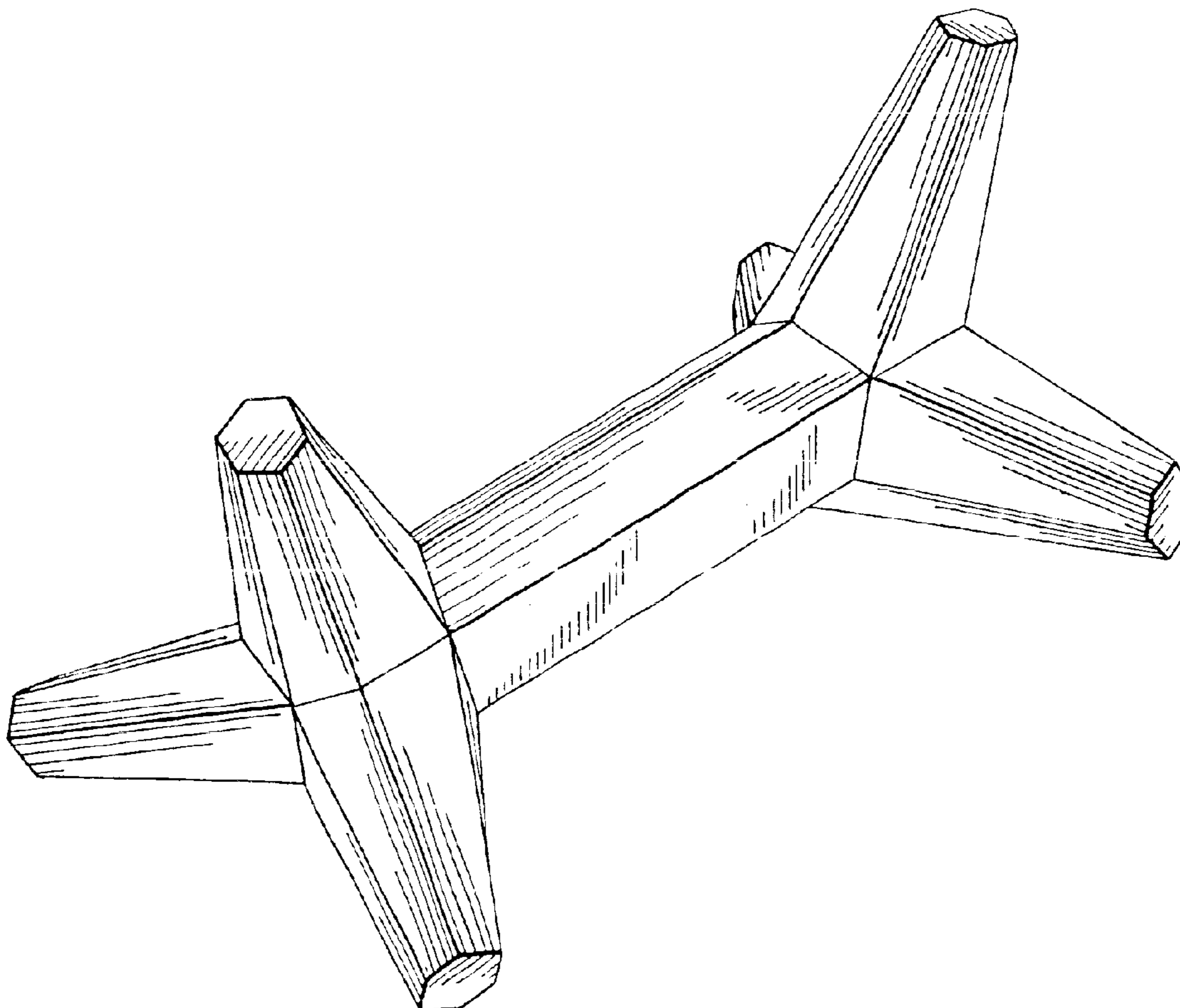
FIG. 1 is a perspective view of a dog chew showing my new design;
FIG. 2 is a top plan view thereof;
FIG. 3 is a bottom plan view thereof;
FIG. 4 is an end elevational view thereof; and,
FIG. 5 is a side elevational view thereof.

(56) **References Cited**

U.S. PATENT DOCUMENTS

2,286,368 A * 6/1942 May 434/159

1 Claim, 3 Drawing Sheets



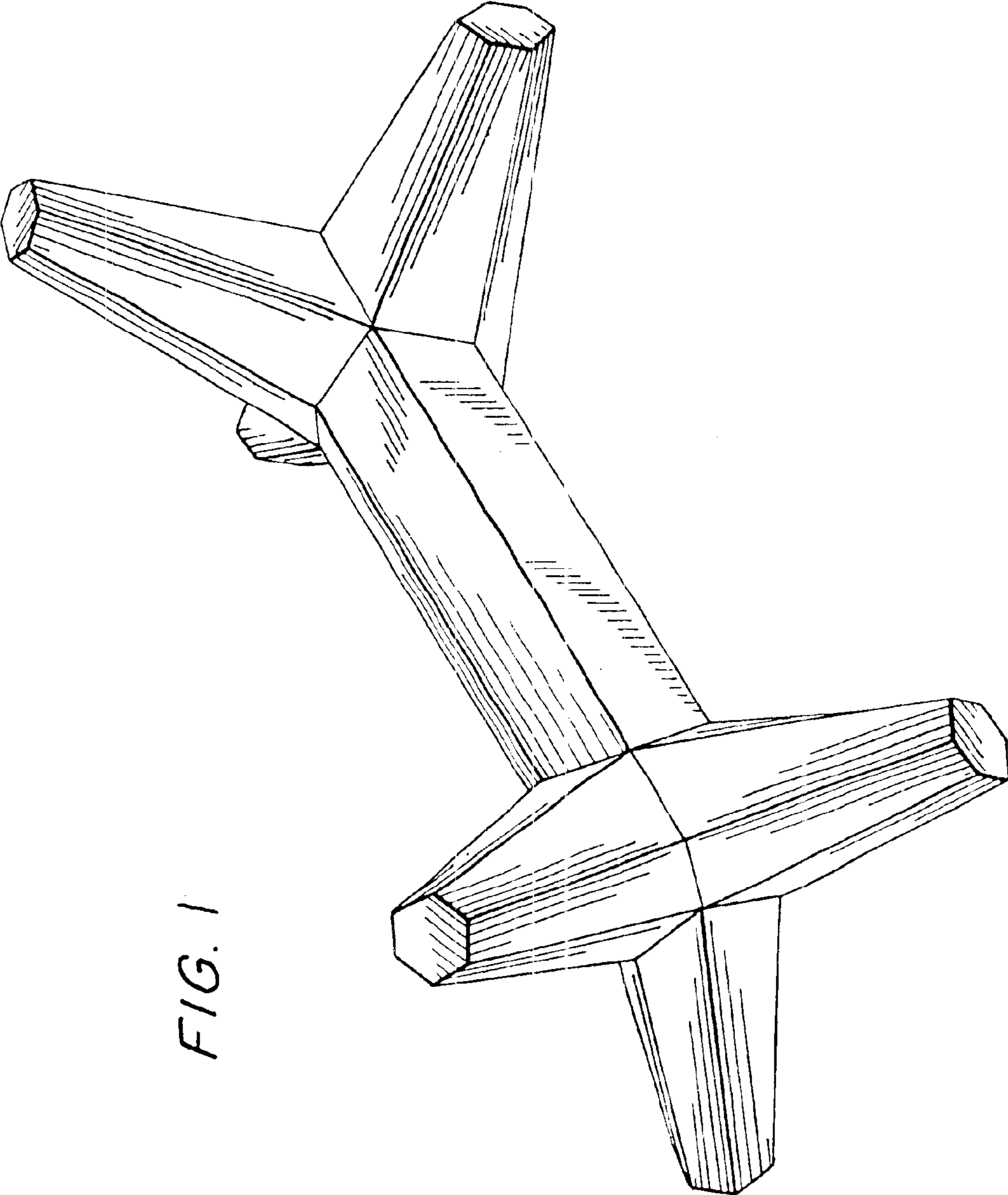


FIG. 1

FIG. 2

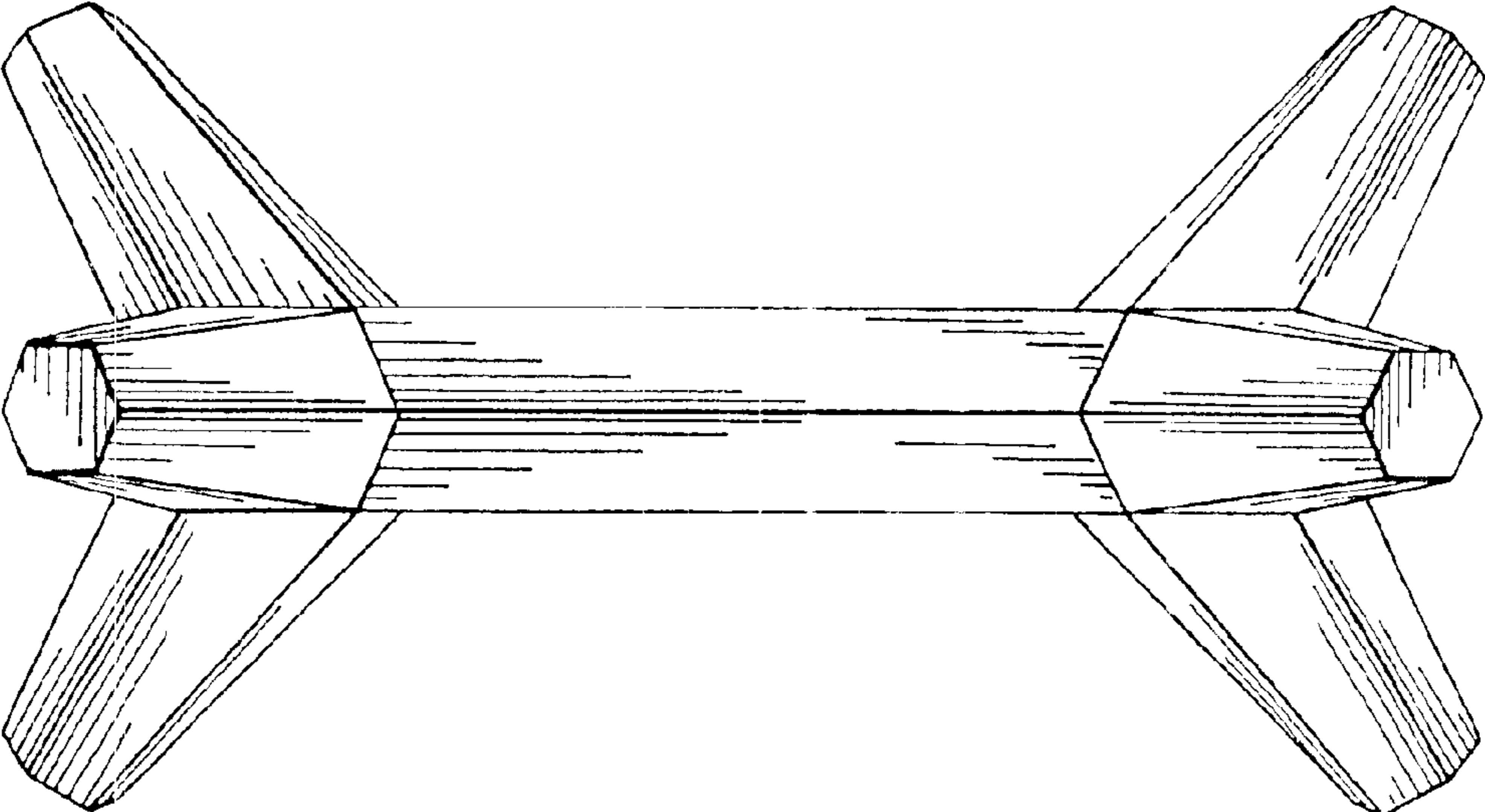


FIG. 3

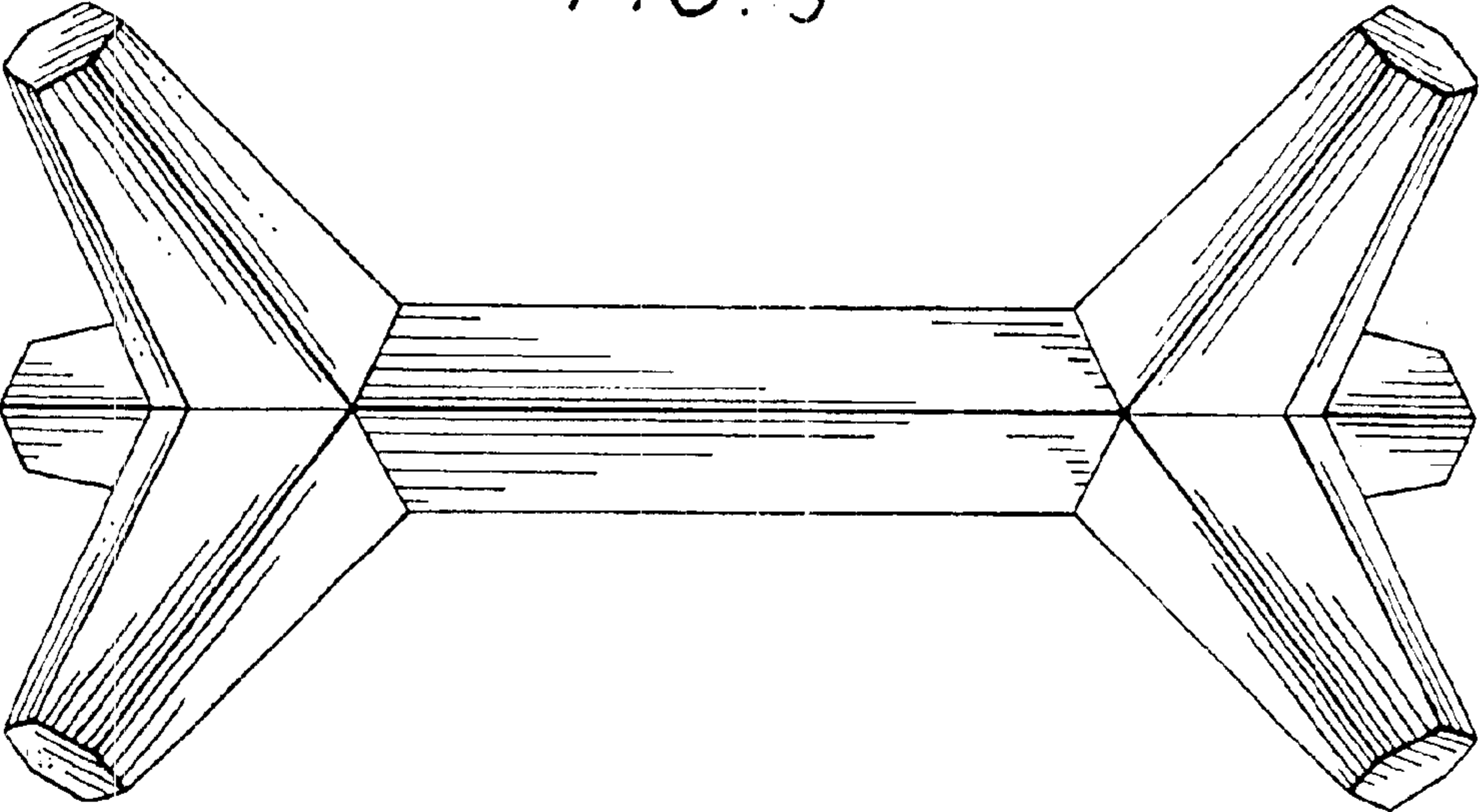


FIG. 5

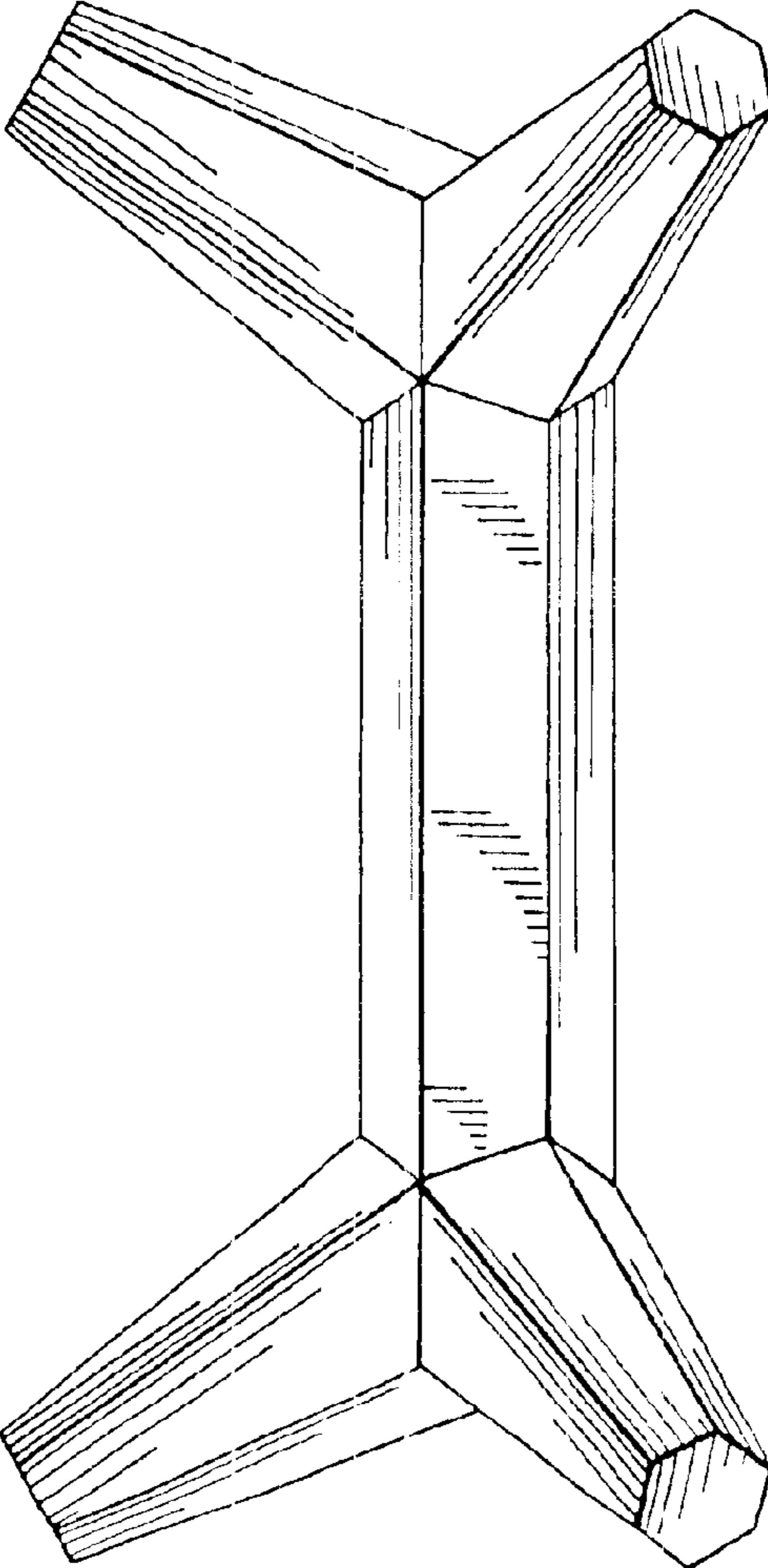


FIG. 4

