

US00D501690S

(12) **United States Design Patent**
Chen

(10) **Patent No.:** **US D501,690 S**

(45) **Date of Patent:** **** Feb. 8, 2005**

(54) **CATCHER'S LEG GUARD**

(75) Inventor: **Shyan-Wei Chen**, Taipei Hsien (TW)

(73) Assignee: **Recar Racer Sporting Goods Co., Ltd.**, Taipei Hsien (TW)

(**) Term: **14 Years**

(21) Appl. No.: **29/205,193**

(22) Filed: **May 12, 2004**

(51) **LOC (7) Cl.** **29-02**

(52) **U.S. Cl.** **D29/120.1; D29/121.1**

(58) **Field of Search** **D29/100, 120.1, D29/121.1; D24/190; 2/22, 23, 24, 911**

(56) **References Cited**

U.S. PATENT DOCUMENTS

4,692,946	A	*	9/1987	Jurga	2/22
D297,178	S	*	8/1988	Jurga	D29/120.1
4,888,826	A	*	12/1989	Parsons et al.	2/22
5,652,956	A	*	8/1997	Hoshizaki et al.	2/22
6,178,556	B1	*	1/2001	Foreman et al.	2/22
D445,221	S	*	7/2001	Foreman et al.	D29/120.1
D451,644	S	*	12/2001	Fujimoto et al.	D29/120.1

OTHER PUBLICATIONS

Western Athletic Supply, Mar.–Aug., 2003, p. 80, catcher's leg guards, [retrieved on Sep. 6, 2004]. Retrieved from

internet using Google Advanced Catalog Search, <URL:www.wasupply.com>.*

BSN Sports, 2003, p. 17, leg guards, [retrieved on Sep. 6, 2004]. Retrieved from internet using Google Advanced Catalog Search, <URL:www.bsnsports.com>.*

* cited by examiner

Primary Examiner—Lucy Lieberman

(74) *Attorney, Agent, or Firm*—Troxell Law Office PLLC

(57) **CLAIM**

The ornamental design for catcher's leg guard, as shown and described.

DESCRIPTION

FIG. 1 is a perspective view of a catcher's leg guard showing my new design;

FIG. 2 is a front elevation of the catcher's leg guard shown in the upright position;

FIG. 3 is a rear elevational view thereof;

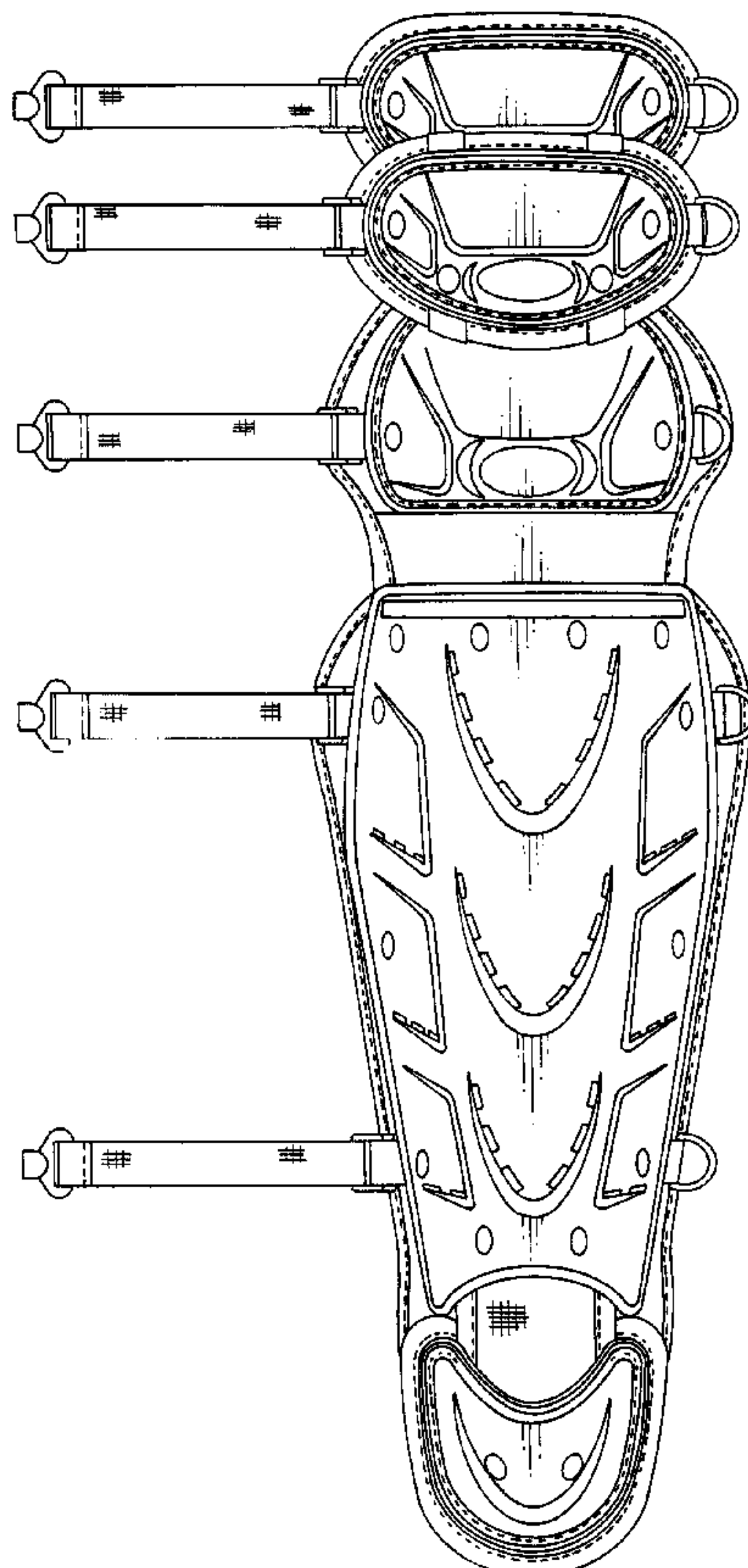
FIG. 4 is a top plan view thereof;

FIG. 5 is a bottom plan view thereof;

FIG. 6 is a left side elevational view thereof; and,

FIG. 7 is a right side elevational view thereof.

1 Claim, 6 Drawing Sheets



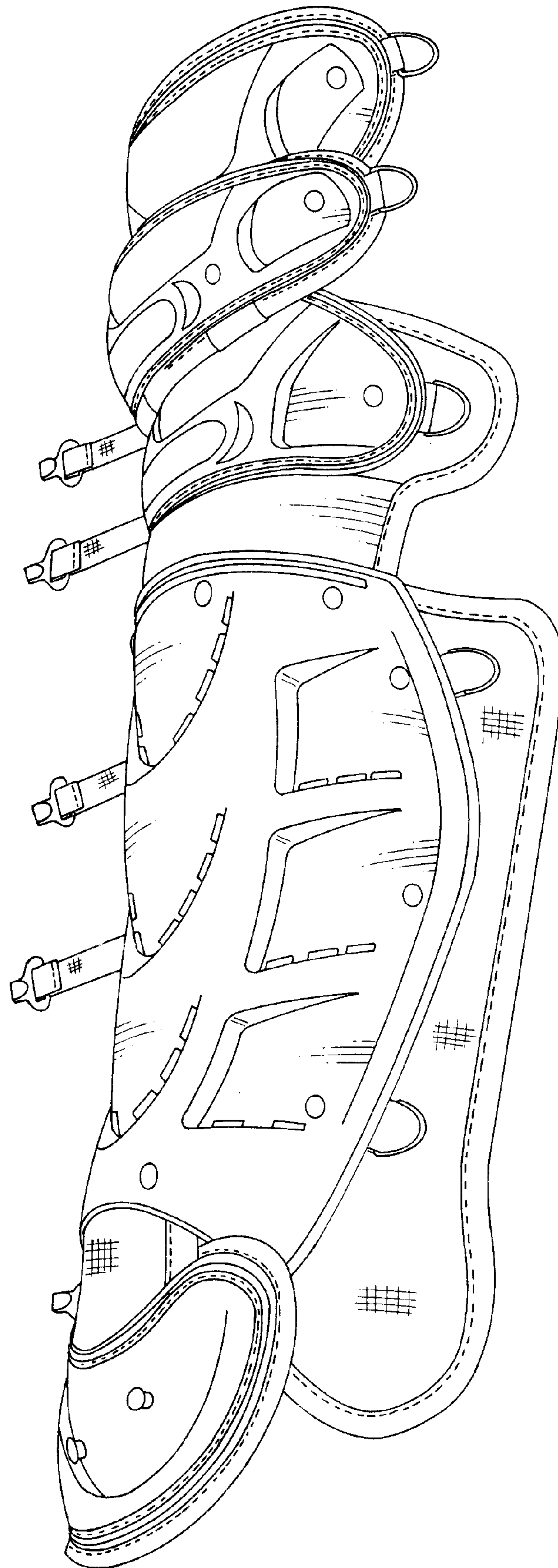


Fig. 1

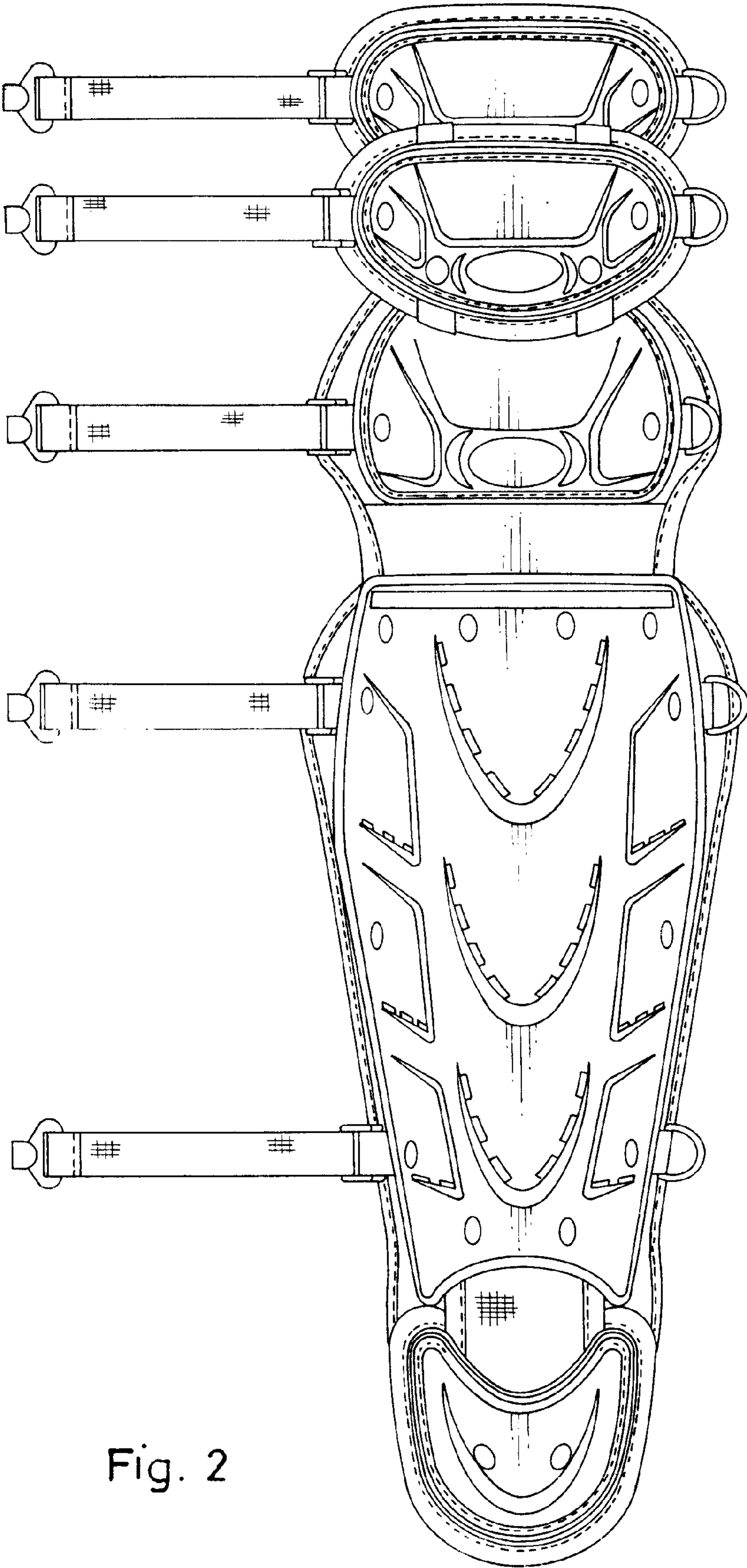


Fig. 2

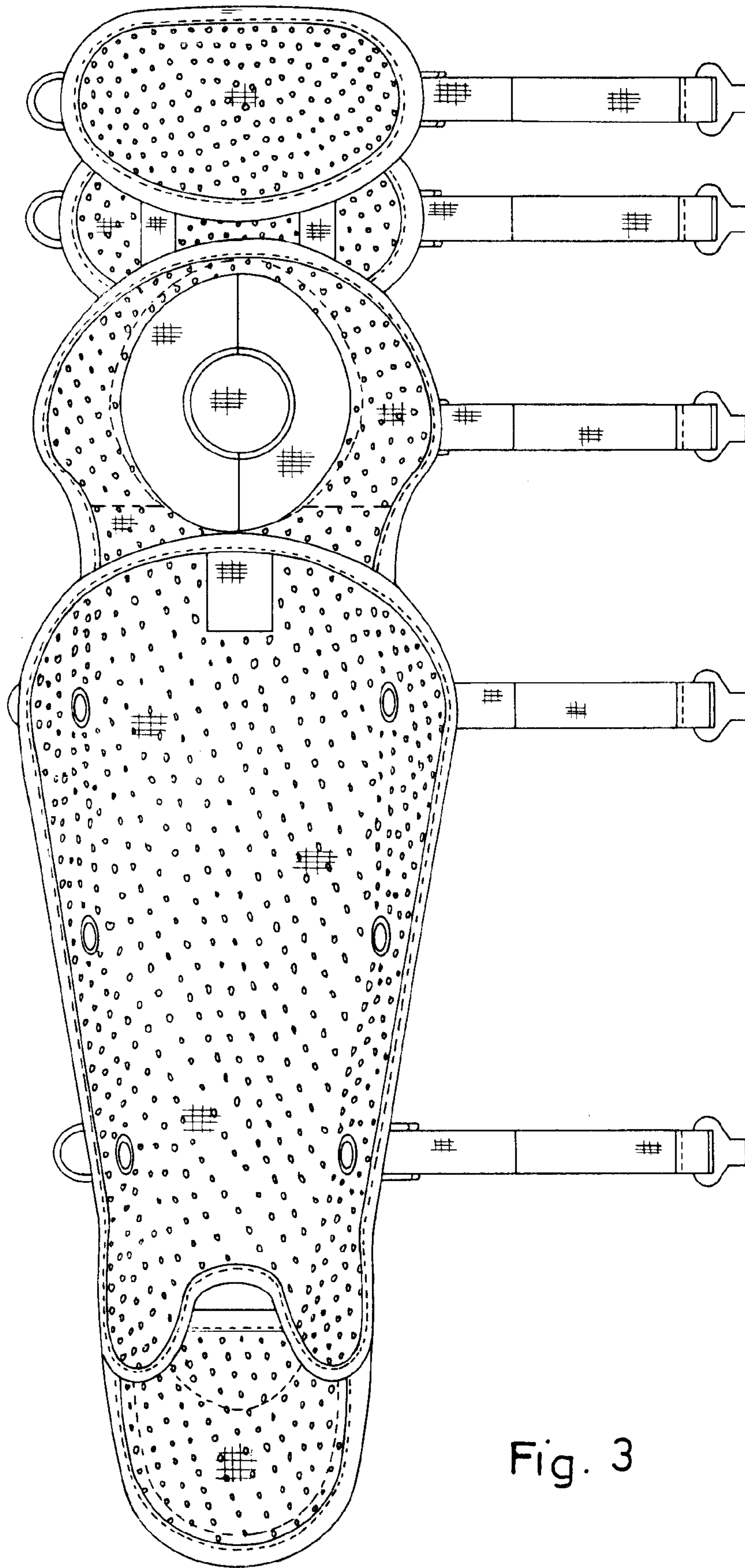


Fig. 3

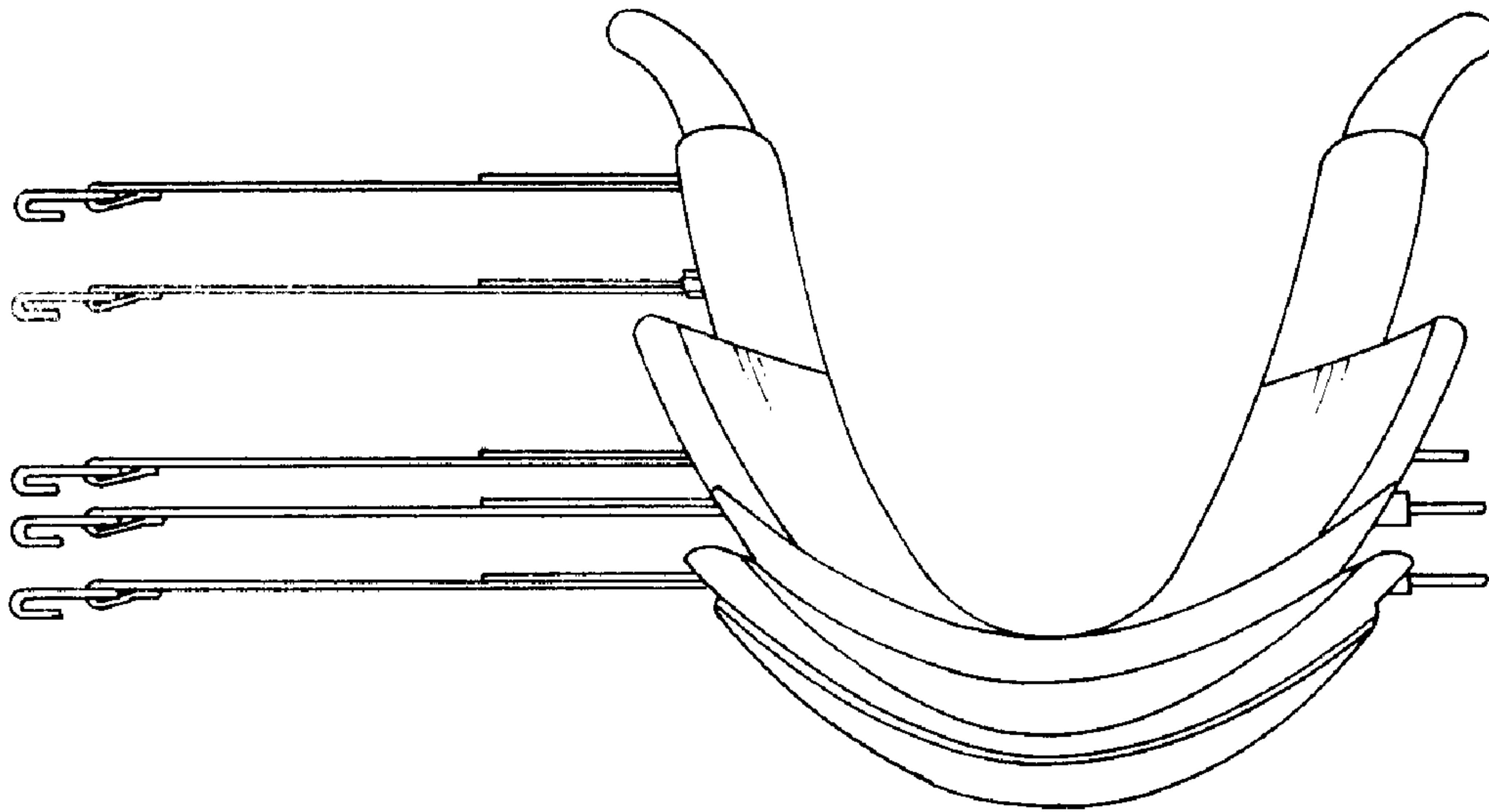


Fig. 4

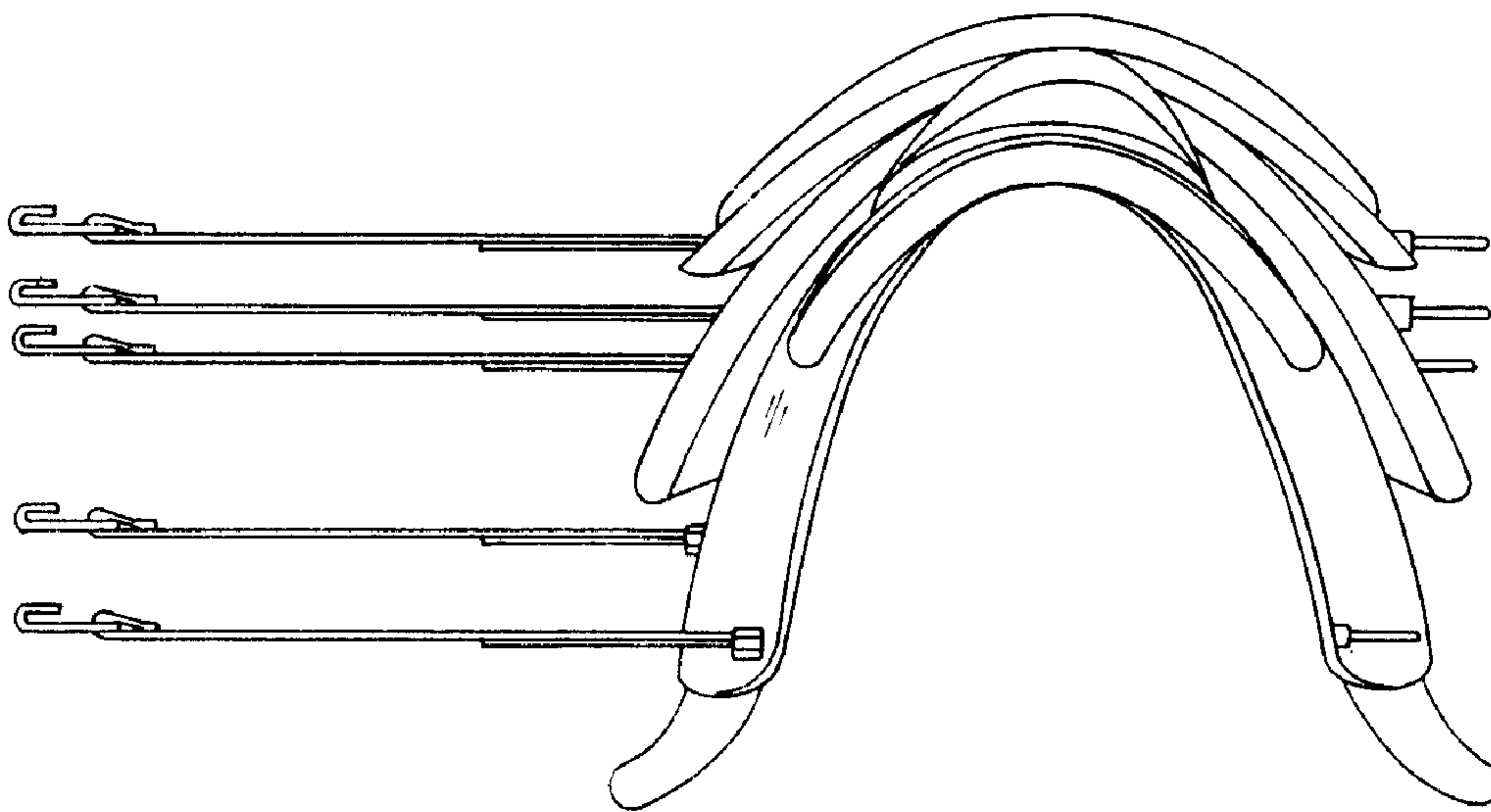


Fig. 5

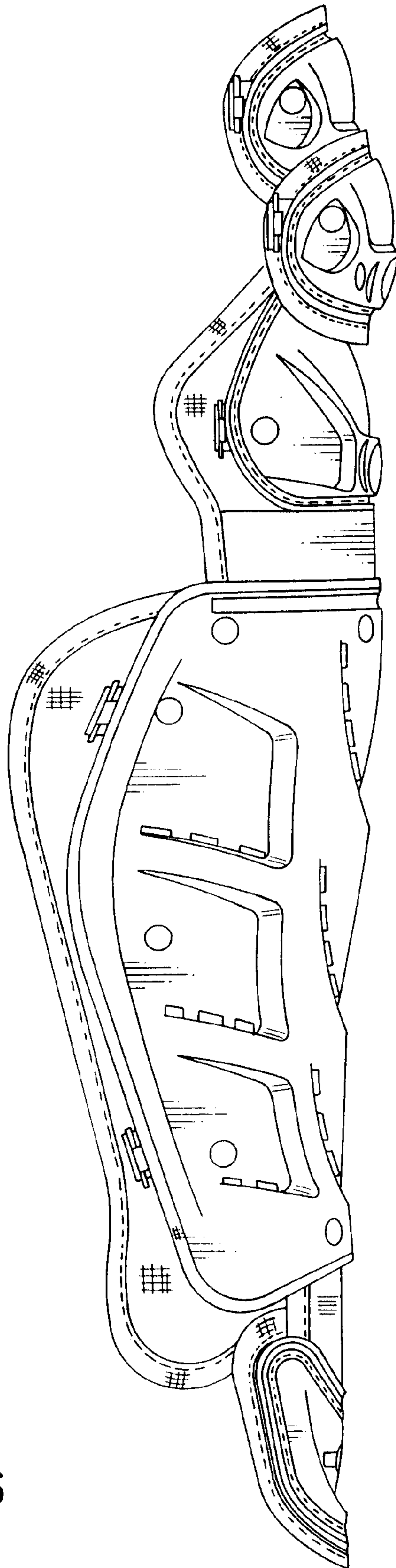


Fig.6

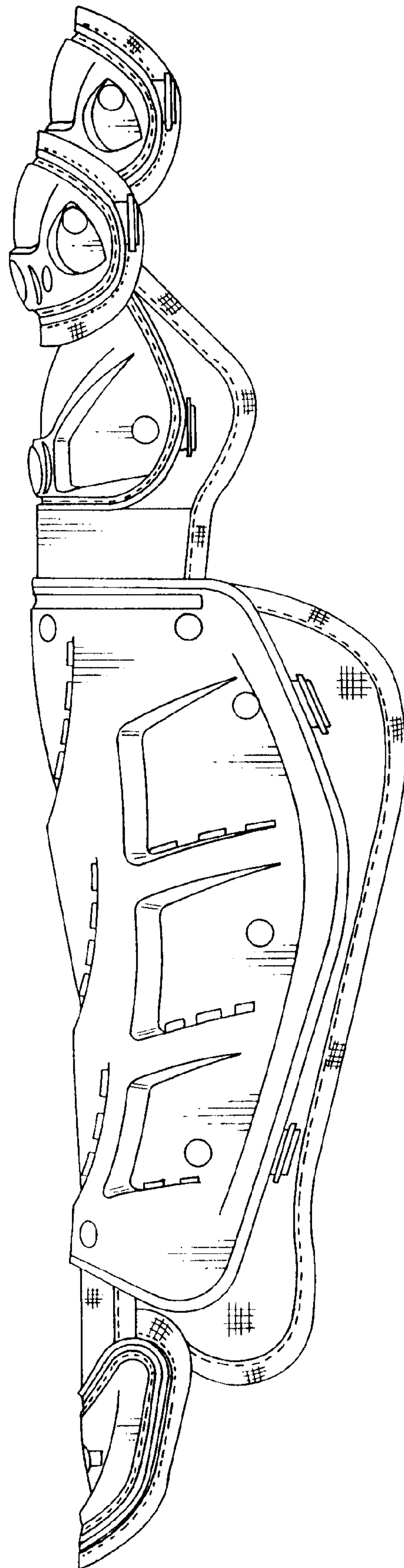


Fig. 7