

US00D501689S

(12) **United States Design Patent**  
**Pickett**

(10) **Patent No.:** **US D501,689 S**

(45) **Date of Patent:** **\*\* Feb. 8, 2005**

(54) **CEILING FAN LIGHT FIXTURE**

(76) Inventor: **Mark Pickett**, 1419 E. Palm St.,  
Altadena, CA (US) 91001

(\*\*) Term: **14 Years**

(21) Appl. No.: **29/190,875**

(22) Filed: **Sep. 26, 2003**

(51) **LOC (7) Cl.** ..... **26-99**

(52) **U.S. Cl.** ..... **D26/128**

(58) **Field of Search** ..... D26/118, 128-137;  
362/351, 355, 360, 361, 362, 363

(56) **References Cited**

**U.S. PATENT DOCUMENTS**

D389,949 S \* 1/1998 Walker ..... D26/118  
D391,666 S \* 3/1998 Lavy ..... D26/118

**OTHER PUBLICATIONS**

50537 Le Smith Glass, p. 9, Glassware Pub.\*  
004OP-12, Rejuvenation Lamp and Fixture, Glassware  
Pub.\*

\* cited by examiner

*Primary Examiner*—Jennifer Rivard

(74) *Attorney, Agent, or Firm*—Parsons & Goltry; Michael  
W. Goltry; Robert A. Parsons

(57) **CLAIM**

The ornamental design for a ceiling fan light fixture, as  
shown and described.

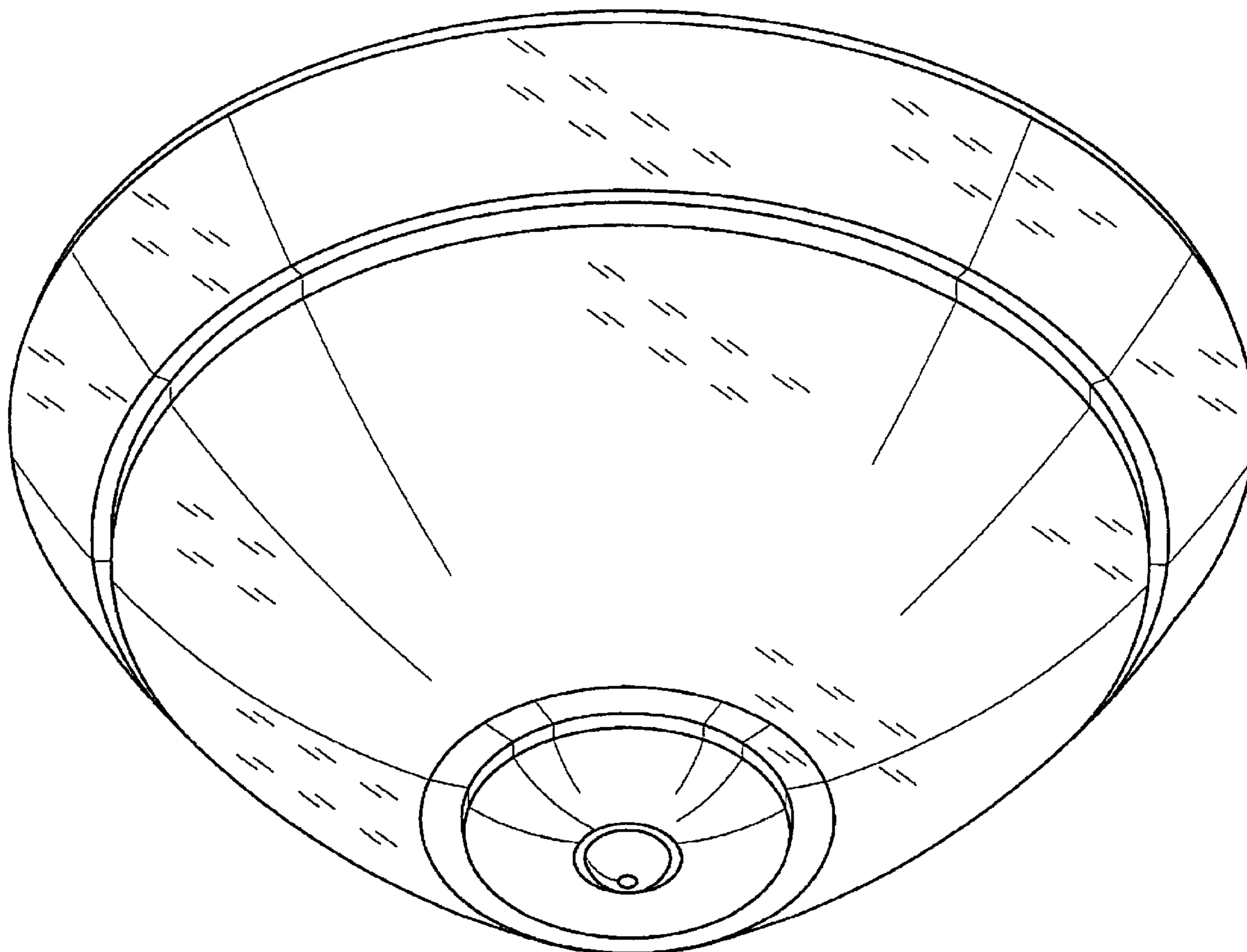
**DESCRIPTION**

FIG. 1 is a bottom perspective view of a ceiling fan light  
fixture showing my new design;

FIG. 2 is a front elevational view thereof, the rear elevational  
view, the left side elevational view, and the right side  
elevational view are mirror images thereof; and,

FIG. 3 is a bottom plan view thereof.

**1 Claim, 3 Drawing Sheets**



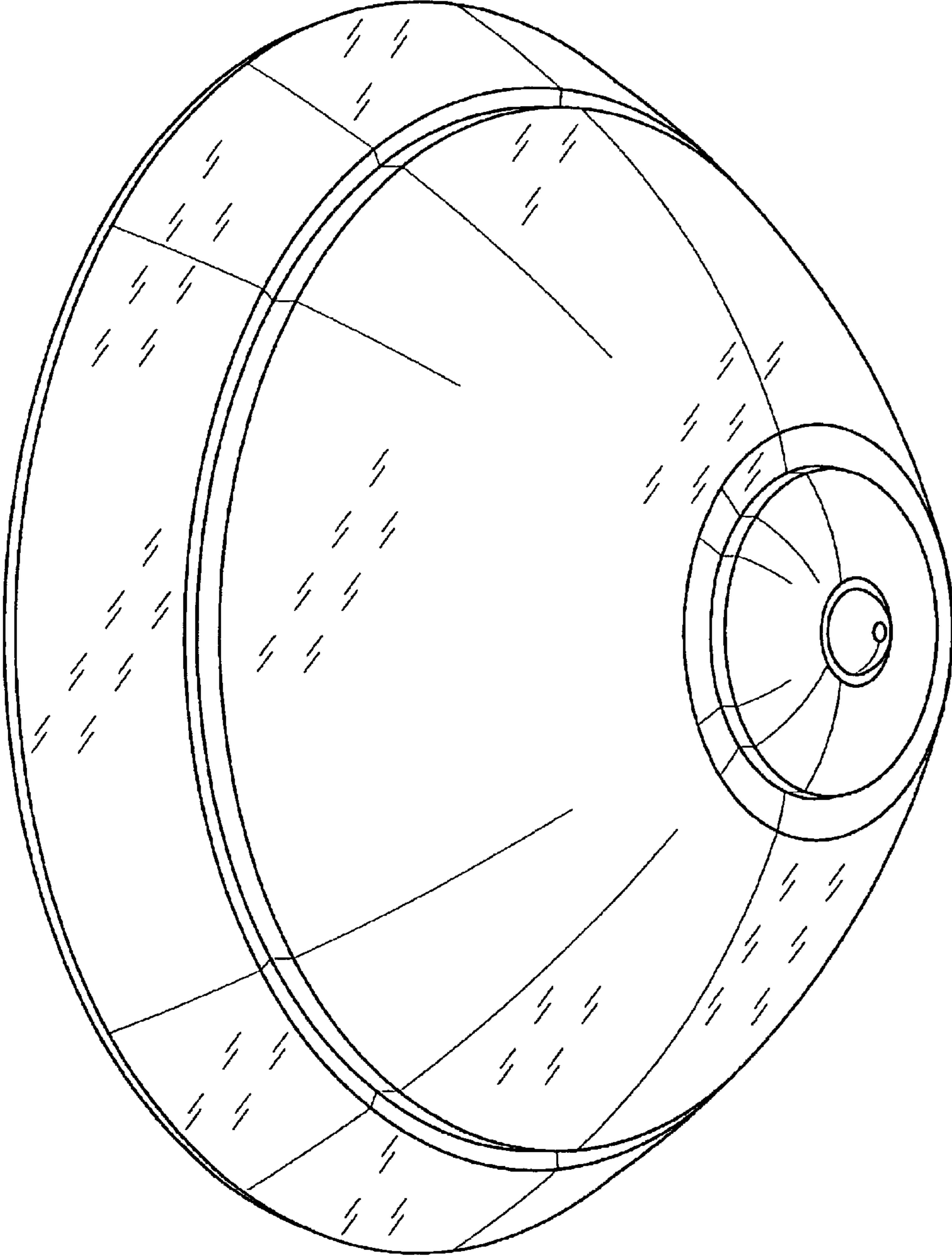


FIG. 1

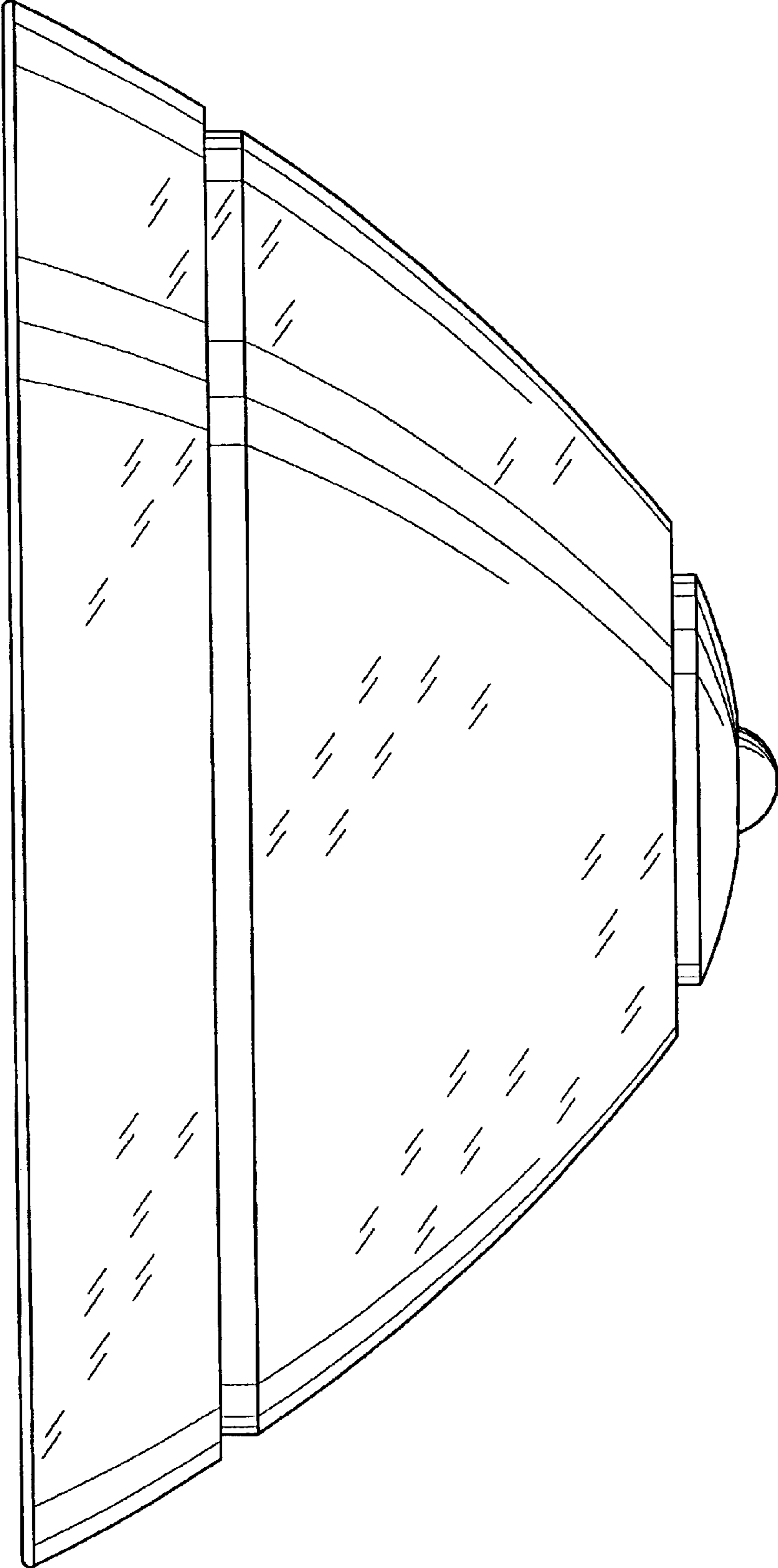


FIG. 2

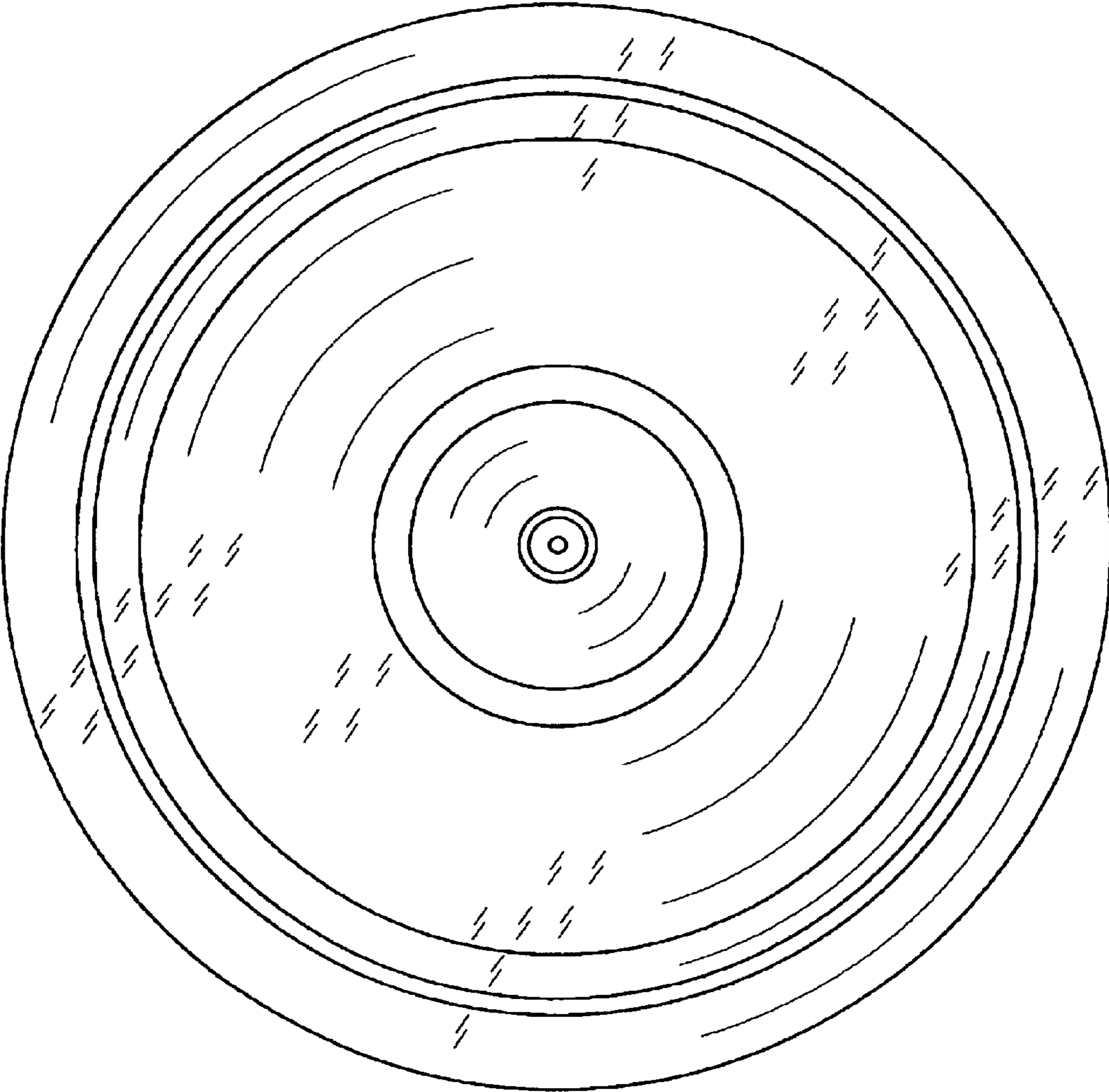


FIG. 3