

US00D501679S

(12) **United States Design Patent**
Smith

(10) **Patent No.:** **US D501,679 S**

(45) **Date of Patent:** **** Feb. 8, 2005**

(54) **FLASK HOLDER**

(75) Inventor: **Richard Smith, Ipswich (GB)**

(73) Assignee: **Genevac Limited, Ipswich (GB)**

(**) Term: **14 Years**

(21) Appl. No.: **29/206,184**

(22) Filed: **May 27, 2004**

Related U.S. Application Data

(62) Division of application No. 29/181,800, filed on May 15, 2003.

(30) **Foreign Application Priority Data**

Nov. 16, 2002	(GB)	3008735
Nov. 16, 2002	(GB)	3008736
Nov. 16, 2002	(GB)	3008737
Nov. 16, 2002	(GB)	3008738
Nov. 16, 2002	(GB)	3008739
Nov. 16, 2002	(GB)	3008740

(51) **LOC (7) Cl.** **24-01**

(52) **U.S. Cl.** **D24/227; D24/216; D24/229; D24/230**

(58) **Field of Search** D24/216, 227, D24/229, 230, 224; 422/99, 104, 102, 81, 65, 64; 211/74; 248/154, 311.2, 316.1, 317, 346.1, 312.1, 312; 435/288.1, 288.3, 287.3; 206/564, 562, 563, 446, 376

(56) **References Cited**

U.S. PATENT DOCUMENTS

D240,239 S * 6/1976 Calandrino D24/230

D290,401 S	*	6/1987	Bjorkman	D24/227
D333,523 S	*	2/1993	Gianino	D24/229
D421,130 S	*	2/2000	Cohen et al.	D24/229

* cited by examiner

Primary Examiner—Ian Simmons

(74) *Attorney, Agent, or Firm*—Barnes & Thornburg LLP

(57) **CLAIM**

The ornamental design for a flask holder, as shown and described.

DESCRIPTION

FIG. 1 is a perspective view of a flask holder according to my invention from the front and above, with the lid lowered;

FIG. 2 is a perspective view thereof from the front and above with the lid raised;

FIG. 3 is a perspective view thereof from the side and above with the lid lowered;

FIG. 4 is a top plan view thereof;

FIG. 5 is a bottom plan view thereof;

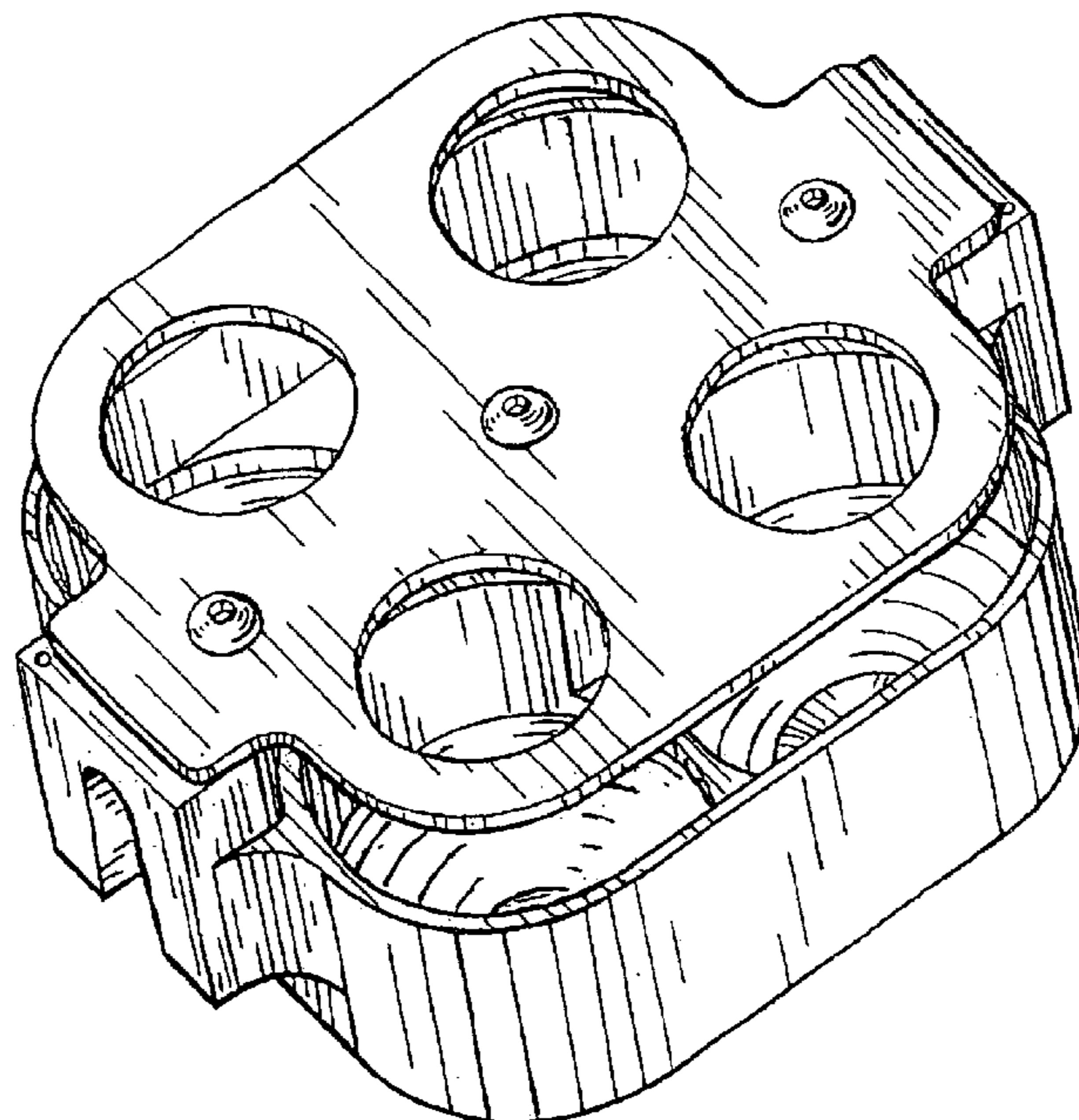
FIG. 6 is a front elevational view thereof, with the rear elevational view corresponding thereto;

FIG. 7 is a front elevational view thereof with the lid raised, and with the rear elevational view thereof corresponding;

FIG. 8 is a side elevational view thereof, with the view from the opposite side corresponding; and,

FIG. 9 is a side elevational view thereof, with the lid raised, and the view from the opposite side corresponding.

1 Claim, 9 Drawing Sheets



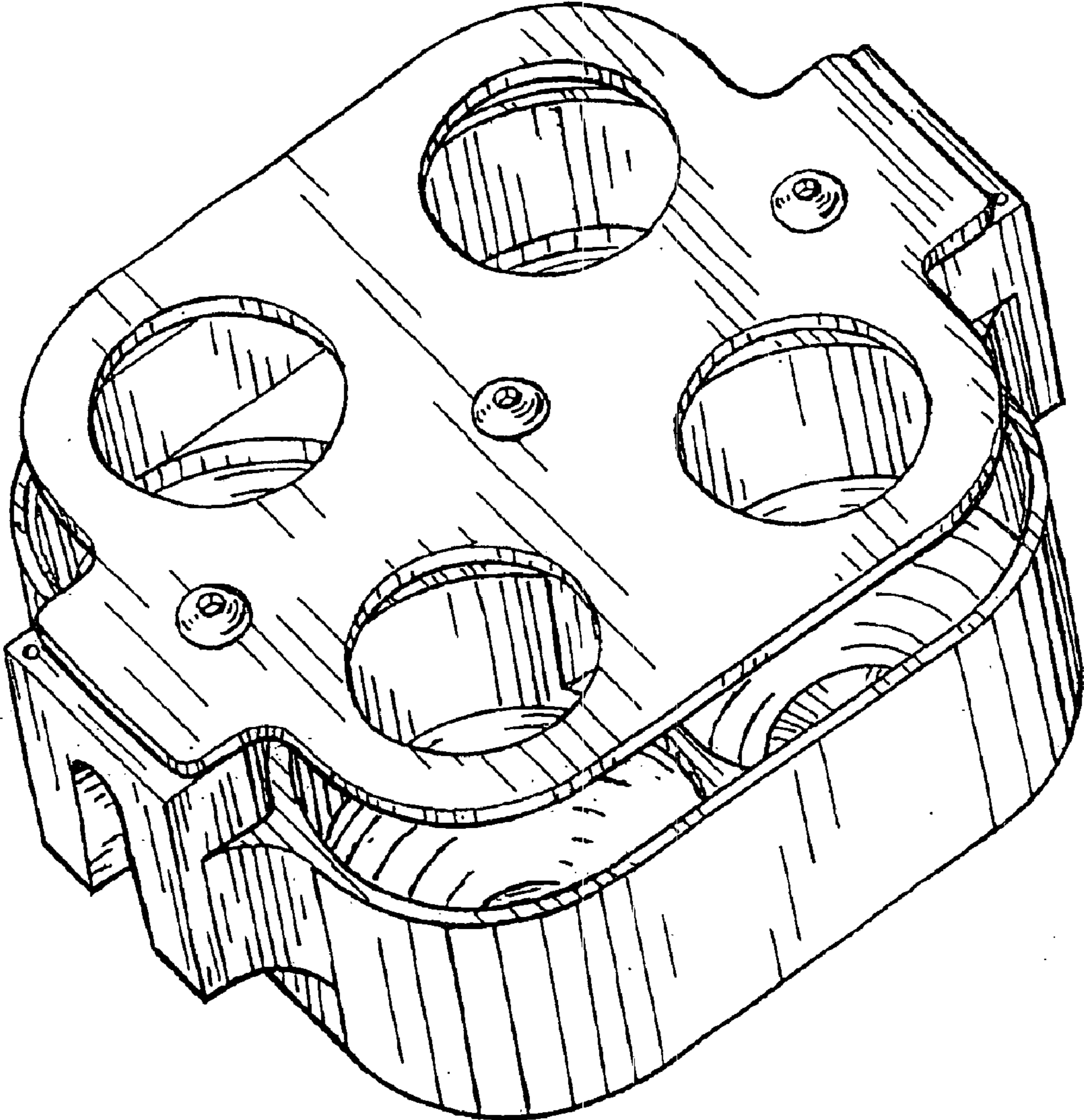


Fig. 1

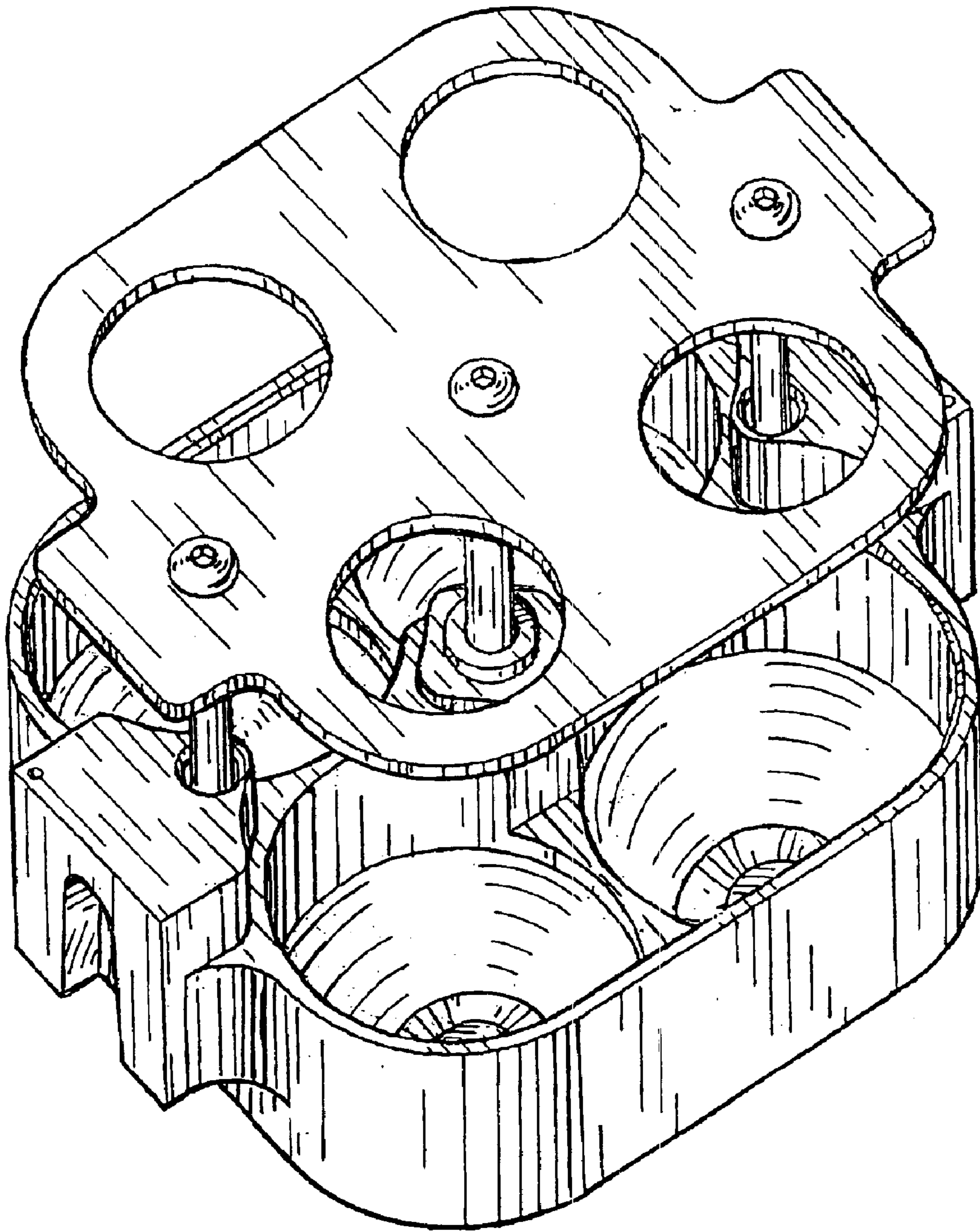


Fig. 2

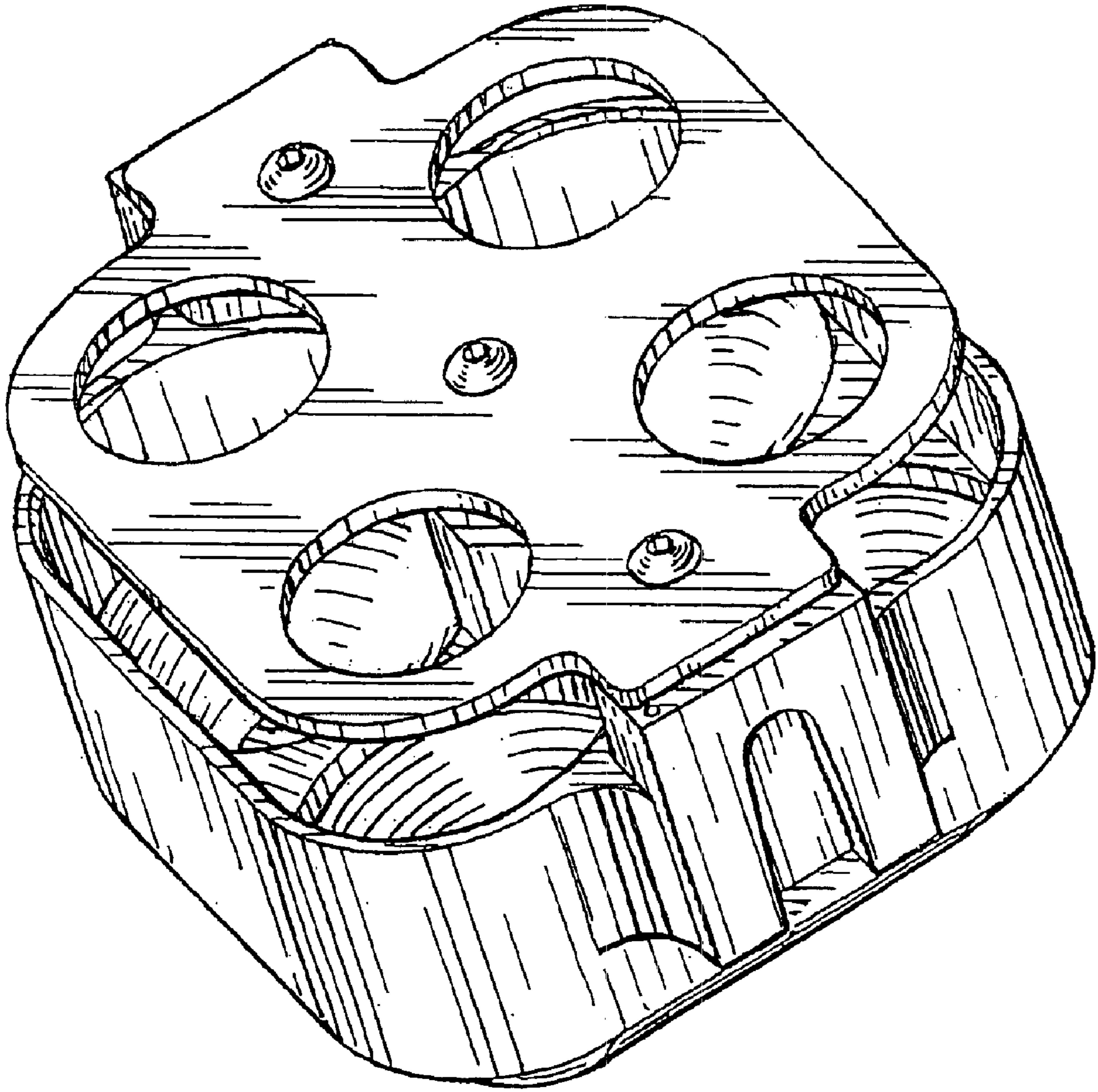


Fig. 3

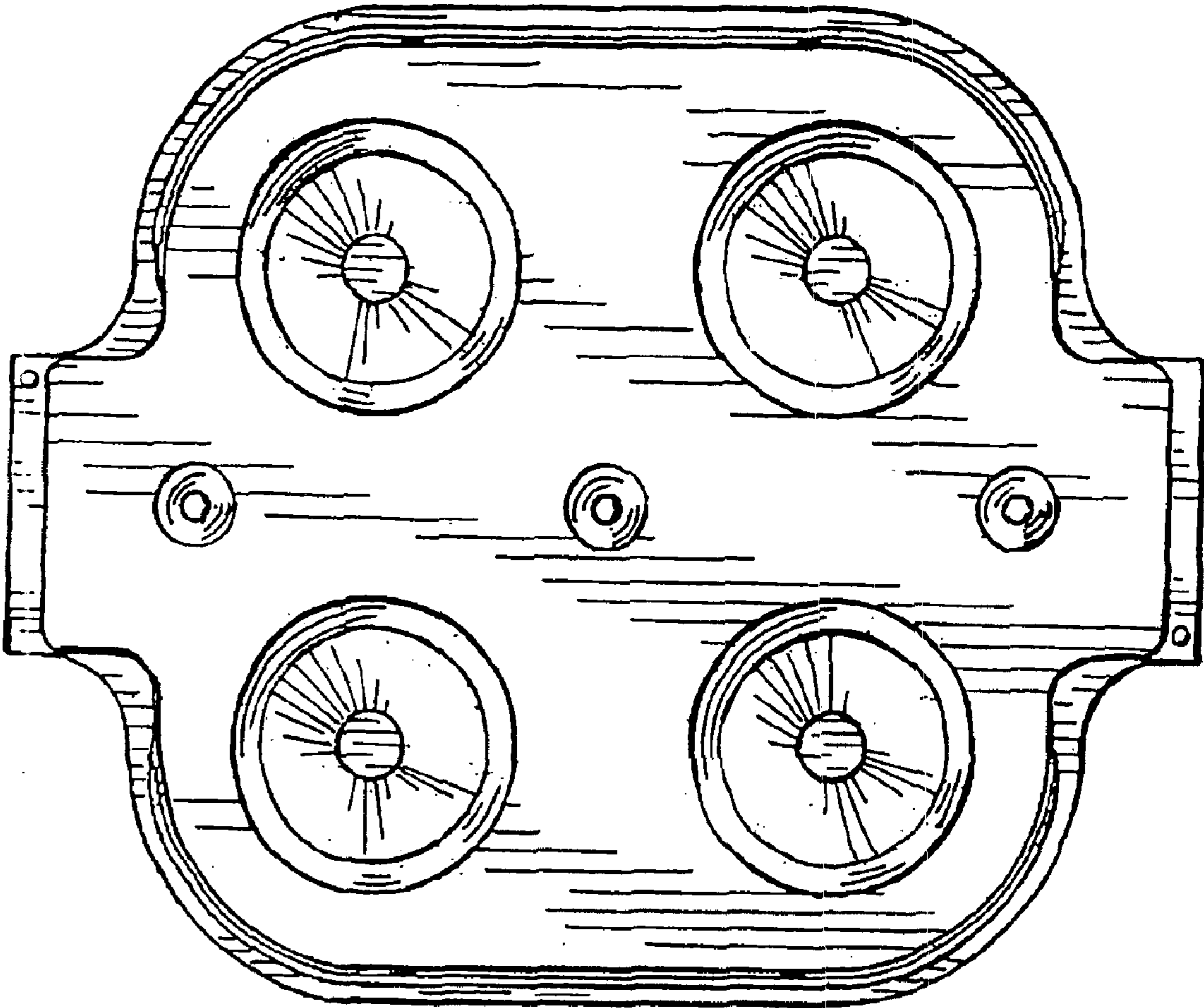


Fig. 4

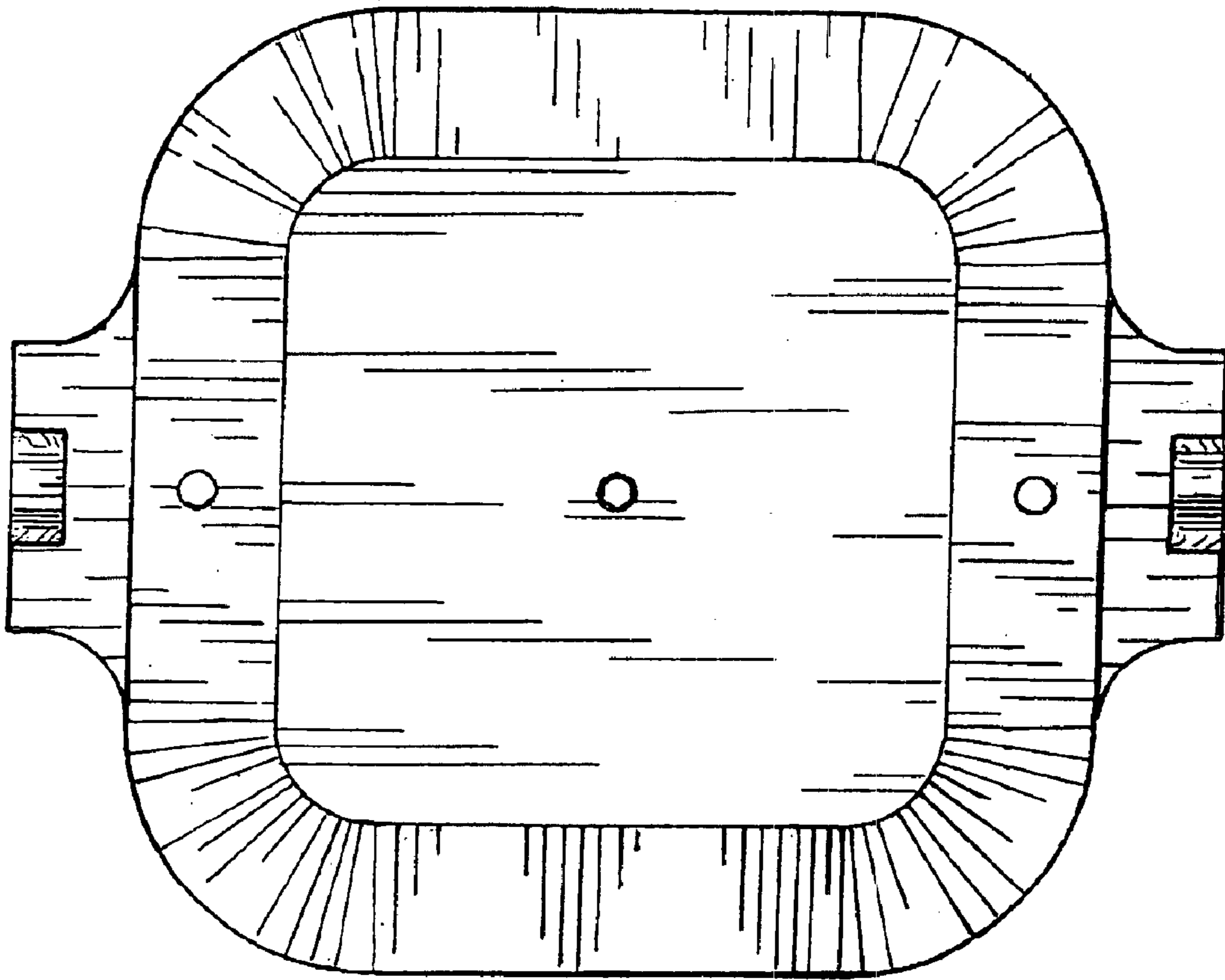


Fig. 5

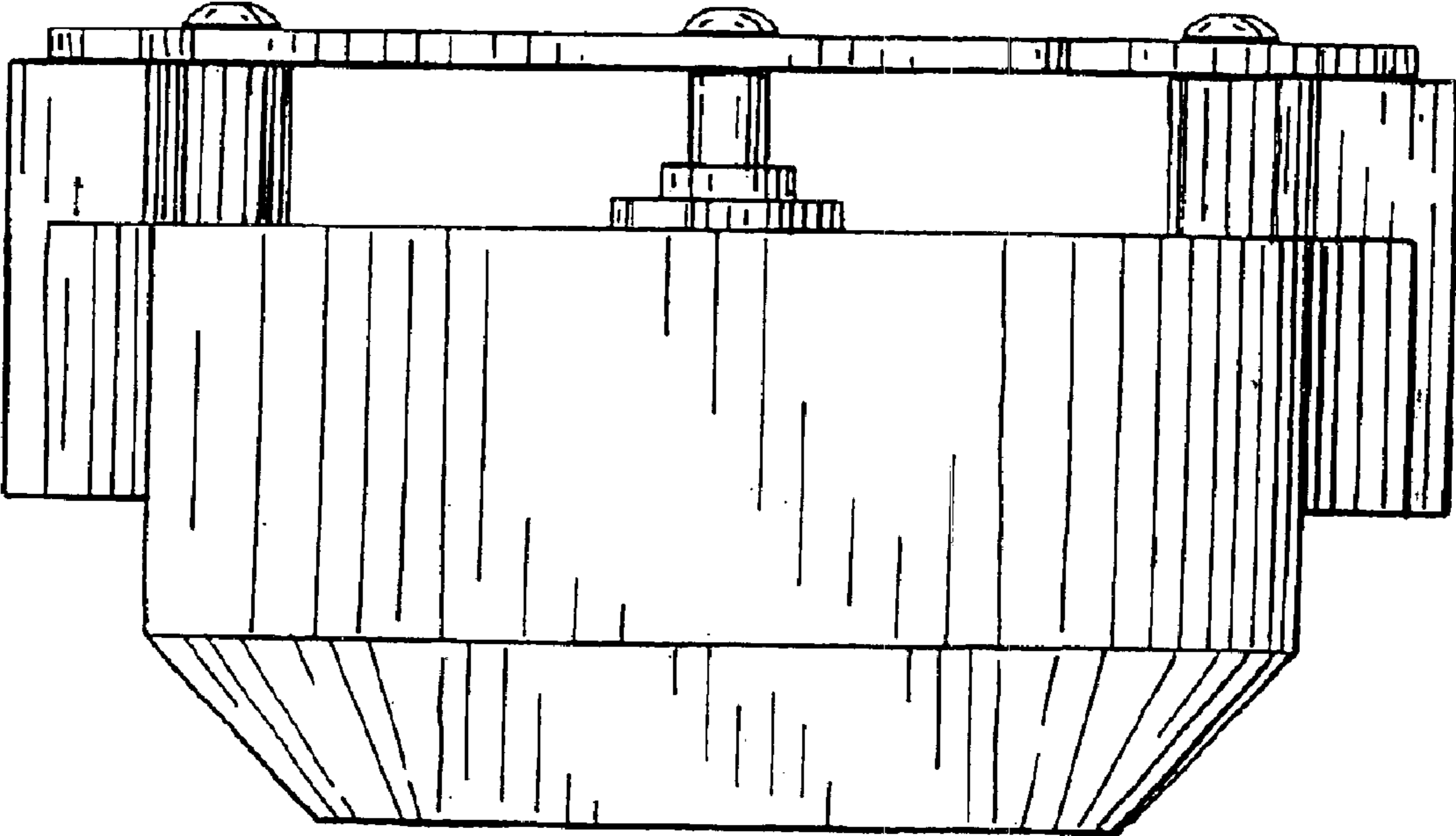


Fig. 6

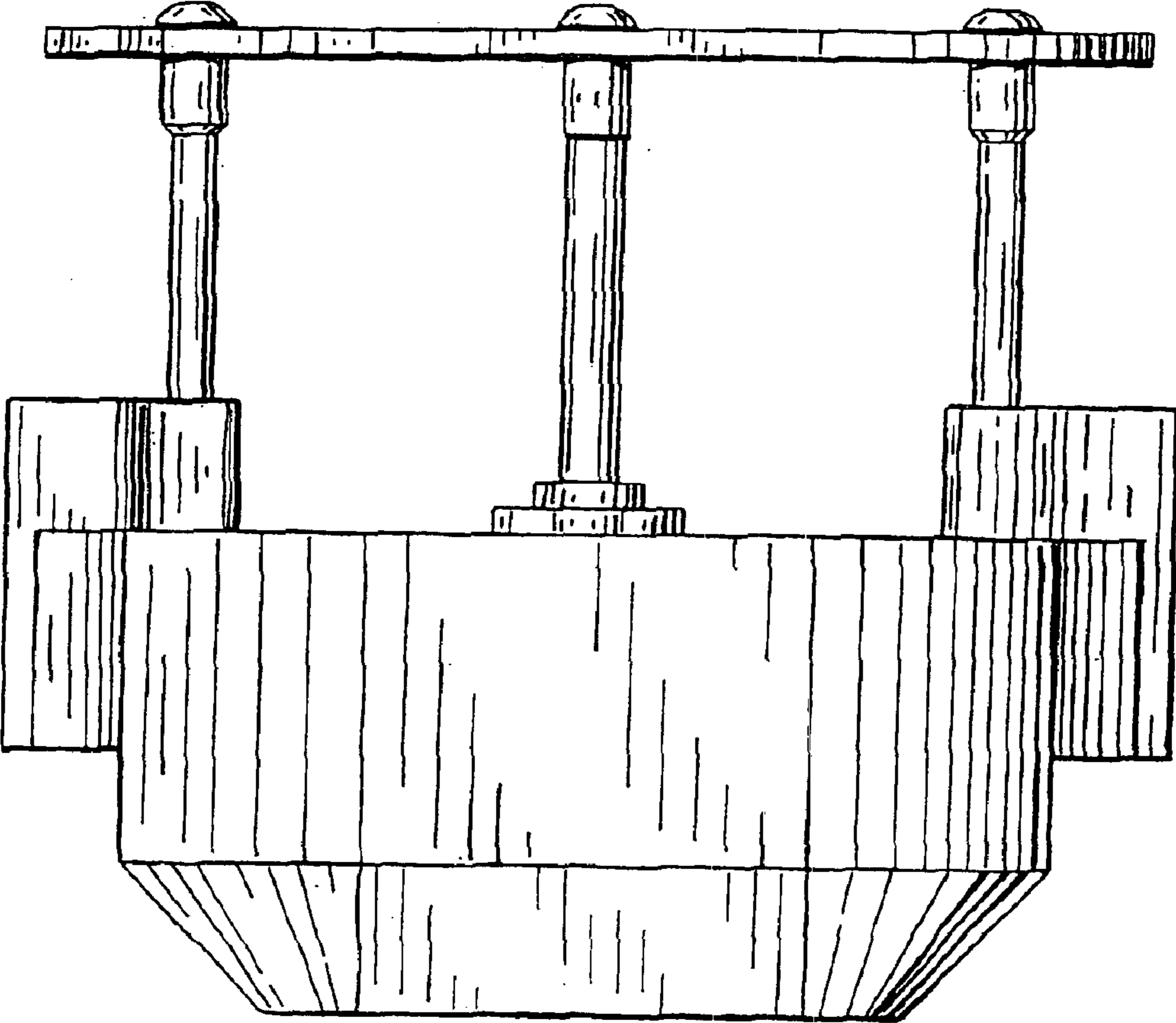


Fig. 7

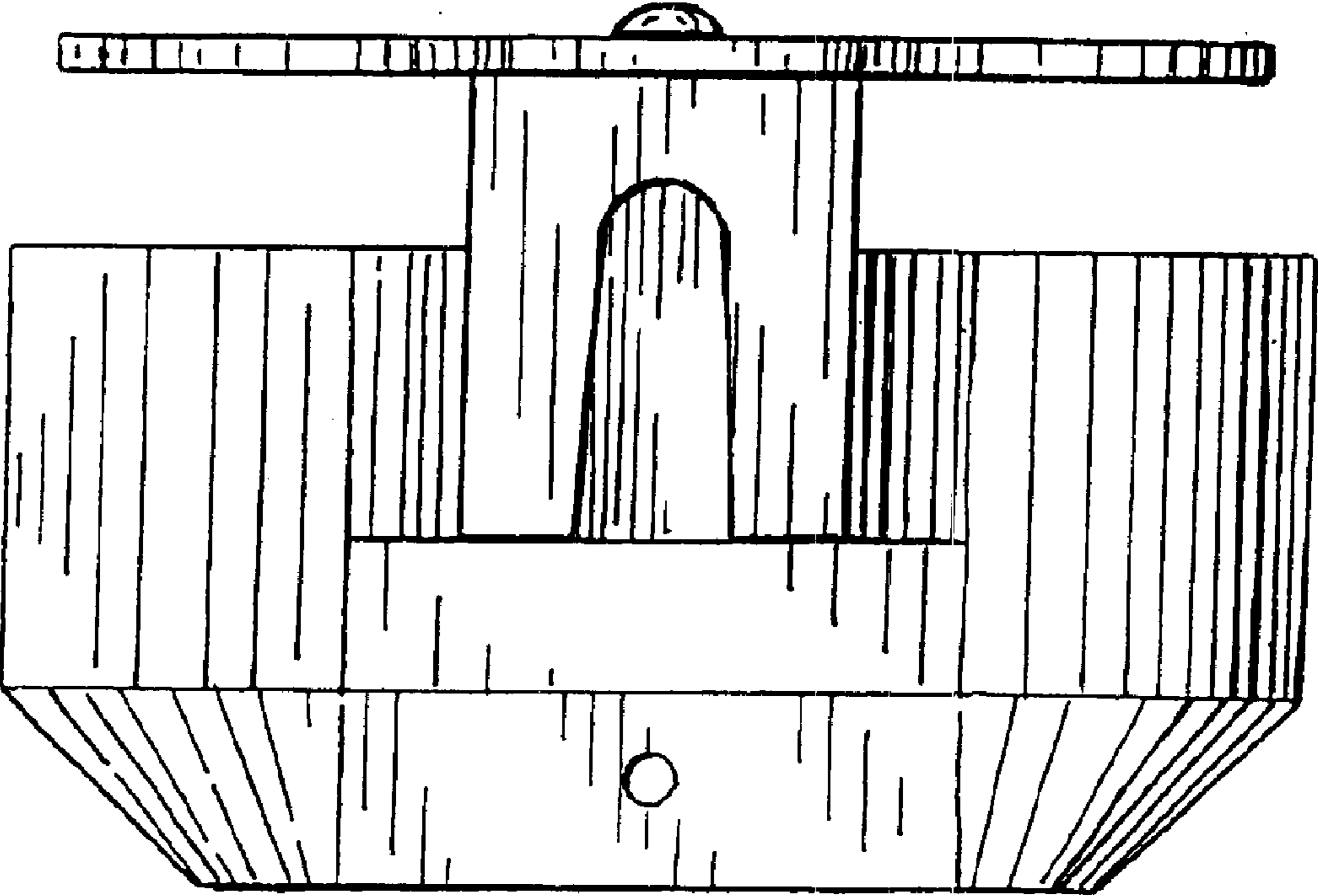


Fig. 8

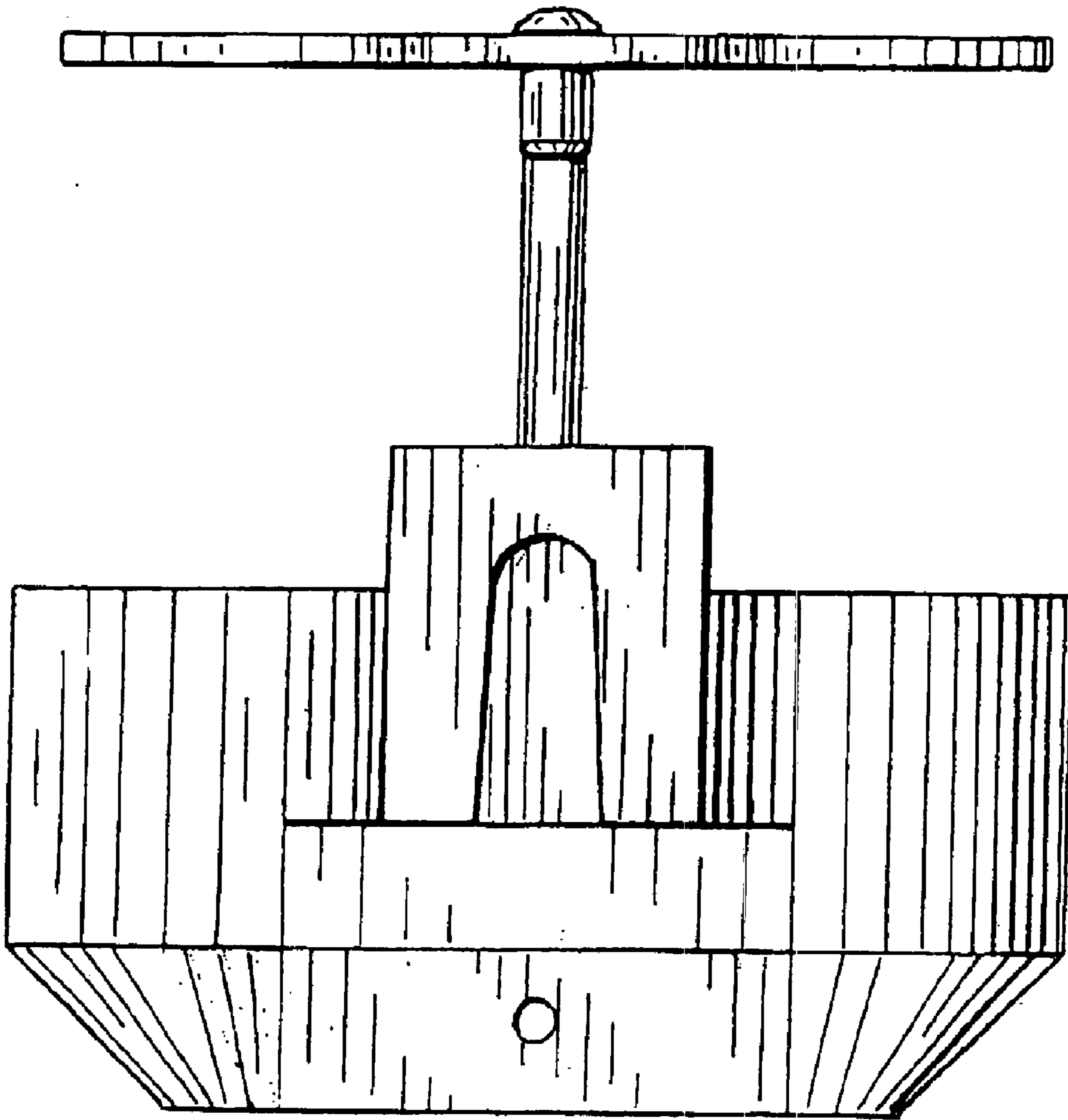


Fig. 9