

US00D501678S

(12) **United States Design Patent**
Oberhardt

(10) **Patent No.:** **US D501,678 S**

(45) **Date of Patent:** **** Feb. 8, 2005**

(54) **ASSAY CARD FOR AN ASSAY CHAMBER**

(75) **Inventor:** **Bruce Oberhardt, Raleigh, NC (US)**

(73) **Assignee:** **Cardiovascular Diagnostics, Inc.,
Durham, NC (US)**

(**) **Term:** **14 Years**

(21) **Appl. No.:** **29/167,714**

(22) **Filed:** **Sep. 20, 2002**

Related U.S. Application Data

(62) Division of application No. 10/091,296, filed on Mar. 6, 2002, now abandoned, which is a continuation of application No. 09/482,036, filed on Jan. 13, 2000, now abandoned, which is a continuation of application No. 08/819,341, filed on Mar. 18, 1997, now Pat. No. 6,197,494, which is a continuation of application No. 08/247,411, filed on May 23, 1994, now Pat. No. 5,658,723, which is a continuation of application No. 07/865,634, filed on Apr. 9, 1992, now abandoned, which is a continuation of application No. 07/350,851, filed on May 12, 1989, now abandoned, which is a continuation of application No. 07/033,817, filed on Apr. 3, 1987, now Pat. No. 4,849,340.

(51) **LOC (7) Cl.** **24-02**

(52) **U.S. Cl.** **D24/225**

(58) **Field of Search** 422/73, 58, 100,
422/82.05, 102, 56, 947, 57, 70; 73/863.71;
D24/225, 226, 216, 224

(56) **References Cited**

U.S. PATENT DOCUMENTS

4,549,952 A * 10/1985 Columbus 422/100

4,849,340 A * 7/1989 Oberhardt 422/947
5,006,474 A * 4/1991 Horstman et al. 422/56
5,144,139 A * 9/1992 Hillman et al. 422/947
5,147,606 A * 9/1992 Charlton et al. 422/56
5,164,598 A * 11/1992 Hillman et al. 422/947
5,238,652 A * 8/1993 Sun et al. 422/61
5,290,705 A * 3/1994 Davis 422/102
5,427,946 A * 6/1995 Kricka et al. 422/58
5,484,572 A * 1/1996 Katakura et al. D24/225
5,658,723 A * 8/1997 Oberhardt 422/102
5,677,133 A * 10/1997 Oberhardt 422/61
5,975,153 A * 11/1999 Hill et al. 73/863.71
6,165,795 A * 12/2000 Mize et al. 422/82.05
6,197,494 B1 * 3/2001 Oberhardt 422/56
D456,910 S * 5/2002 Clark et al. D24/225
6,575,017 B1 * 6/2003 Neel et al. 422/73

* cited by examiner

Primary Examiner—Ian Simmons

(74) *Attorney, Agent, or Firm*—Oblon, Spivak, McClelland,
Maier & Neustadt, P.C.

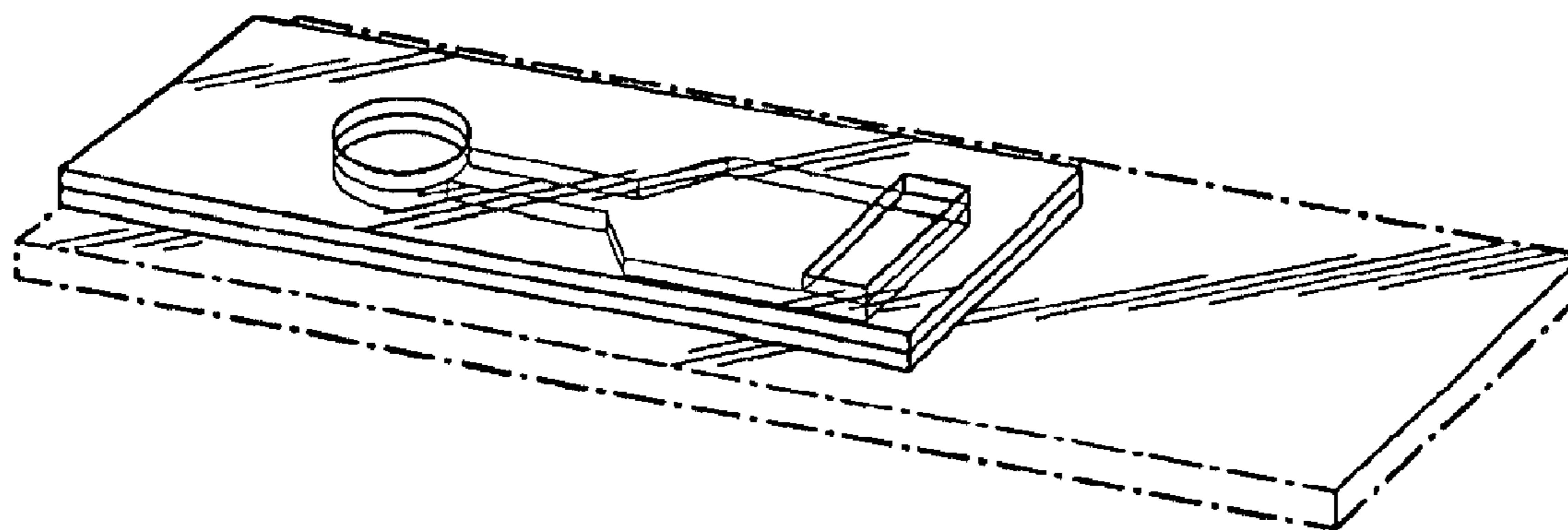
(57) **CLAIM**

The ornamental design for an assay card for an assay chamber, as shown and described.

DESCRIPTION

FIG. 1 is a top plan view of an assay card for an assay chamber, showing my design;
FIG. 2 is a bottom plan view thereof; and,
FIG. 3 is a top, front and right side perspective view thereof.
The broken line showing in the figures is for illustrative purposes only and forms no part of the claimed design.

1 Claim, 1 Drawing Sheet



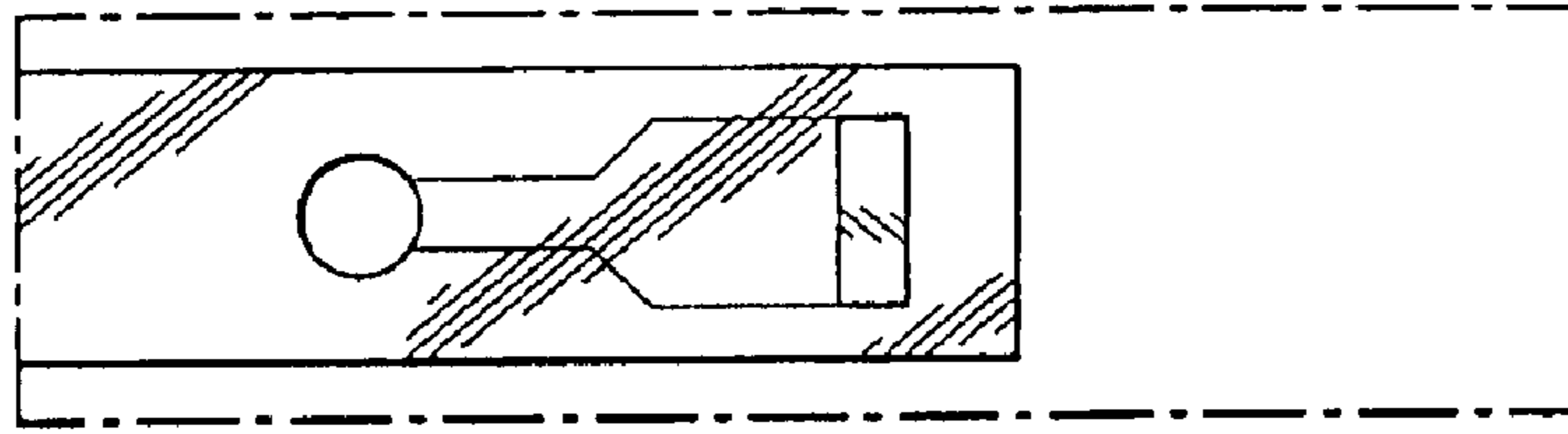


FIG. 1

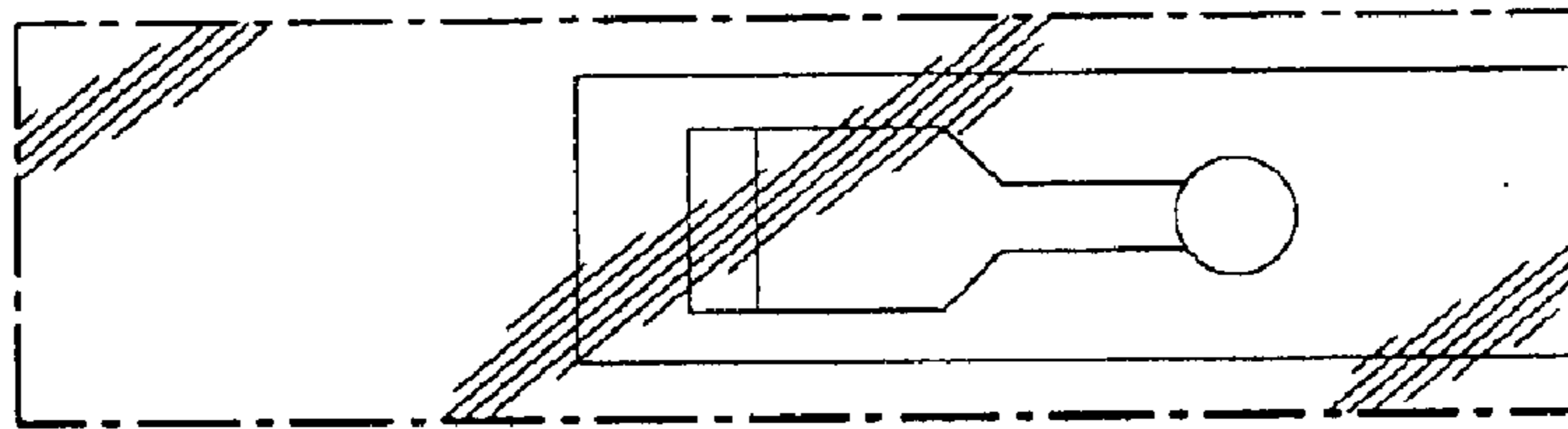


FIG. 2

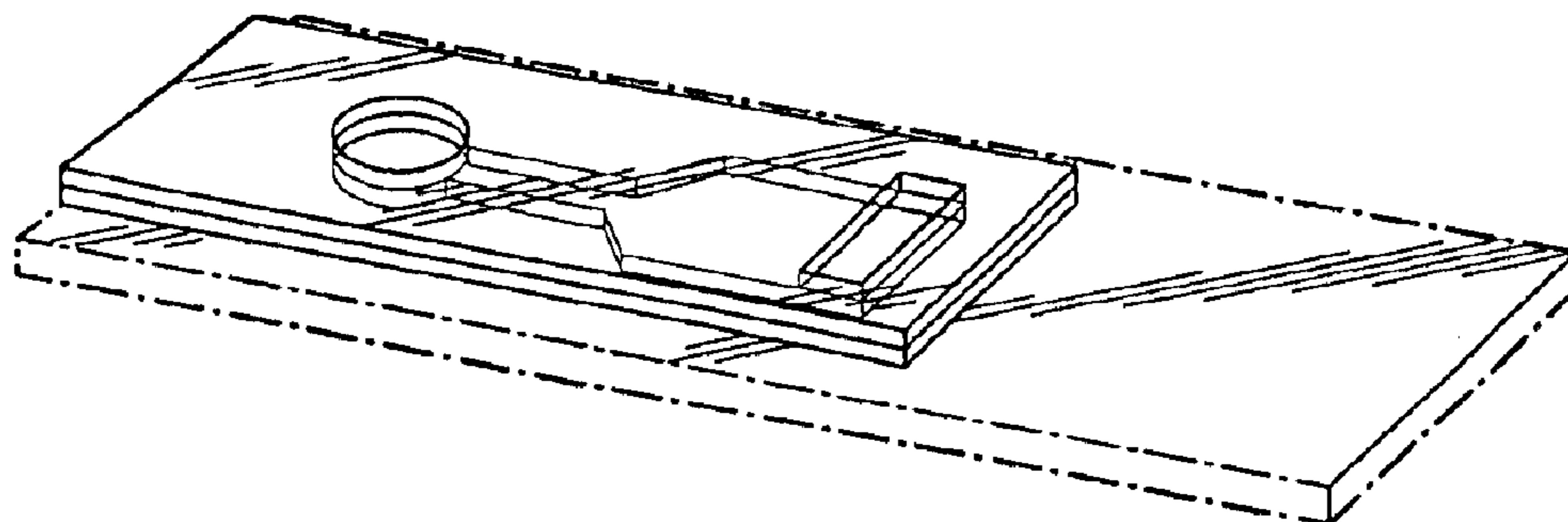


FIG. 3