

US00D501672S

(12) **United States Design Patent**
Ledsworth

(10) **Patent No.:** **US D501,672 S**

(45) **Date of Patent:** **** Feb. 8, 2005**

(54) **DEBRIS AND TOXIC WASTE CATCH BASIN FOR INSTALLATION IN A STREET STORM DRAIN**

(76) **Inventor:** **Karl Ledsworth**, 1075 Somersby Way, Brentwood, CA (US) 94513

(**) **Term:** **14 Years**

(21) **Appl. No.:** **29/166,307**

(22) **Filed:** **Aug. 26, 2002**

(51) **LOC (7) Cl.** **23-01**

(52) **U.S. Cl.** **D23/261**

(58) **Field of Search** D23/261; 210/163, 210/164, 803

(56) **References Cited**

U.S. PATENT DOCUMENTS

D233,434 S	*	10/1974	Ehmke	D23/261
4,261,823 A	*	4/1981	Gallagher et al.	210/164
5,744,048 A	*	4/1998	Stetler	210/803
D421,102 S	*	2/2000	Barnett	D23/261
6,241,882 B1	*	6/2001	Allard	210/162

D452,899 S * 1/2002 Salisbury D23/261

* cited by examiner

Primary Examiner—Robin V. Taylor

(74) *Attorney, Agent, or Firm*—Richard D. Slehofer

(57) **CLAIM**

The ornamental design for a debris and toxic waste catch basin for installation in a street storm drain, as shown and described.

DESCRIPTION

FIG. 1 is an isometric view of my debris and toxic waste catch basin for installation in a street storm drain showing my new design. The broken lines are for illustrative purposes only and form no part of my claimed design.

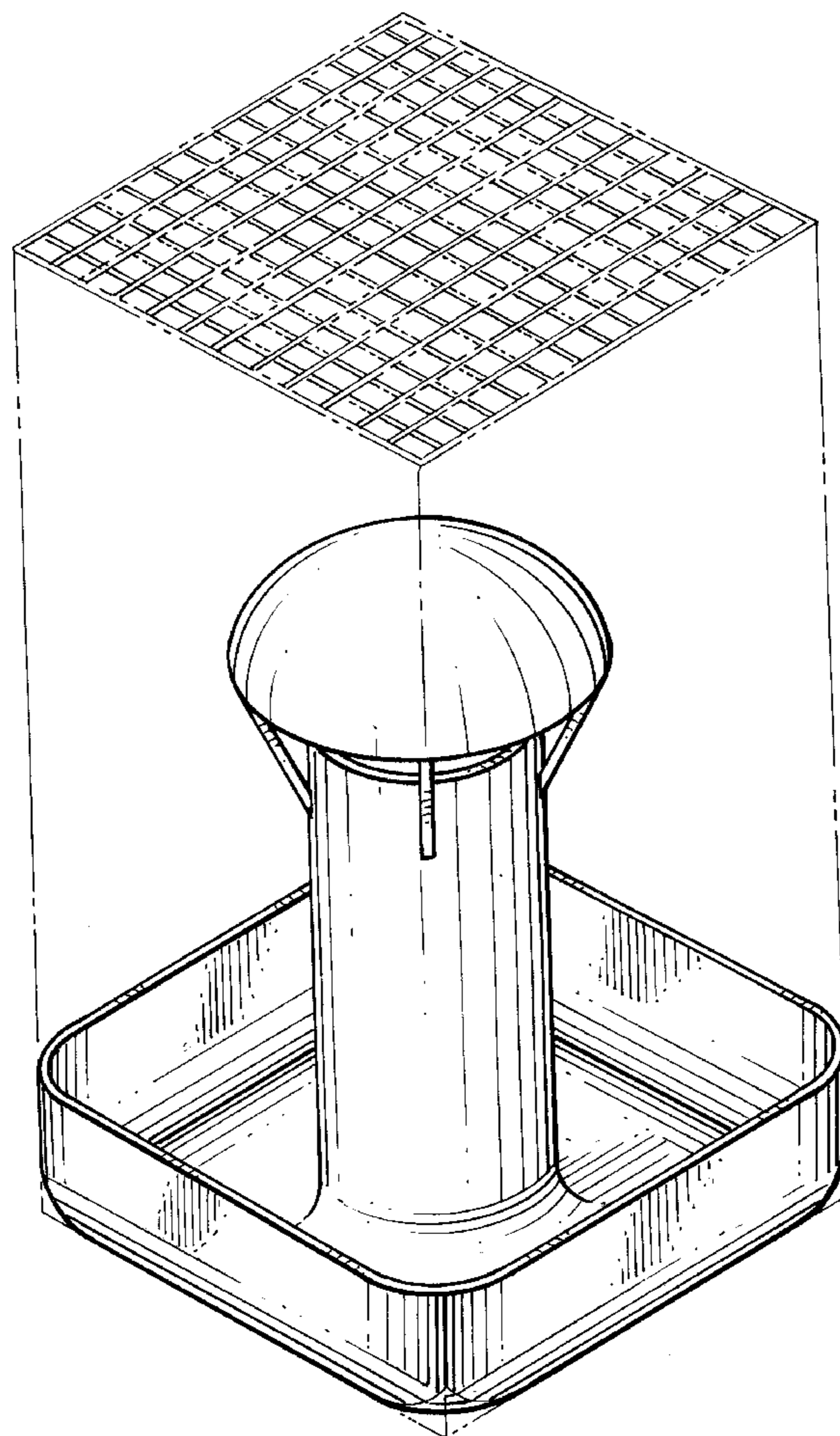
FIG. 2 is a front elevational view thereof; the right side, left side, and rear views being identical thereto.

FIG. 3 is a top plan view thereof.

FIG. 4 is a bottom plan view thereof; and,

FIG. 5 is a vertical sectional view taken along the line of 5—5 in FIG. 2.

1 Claim, 2 Drawing Sheets



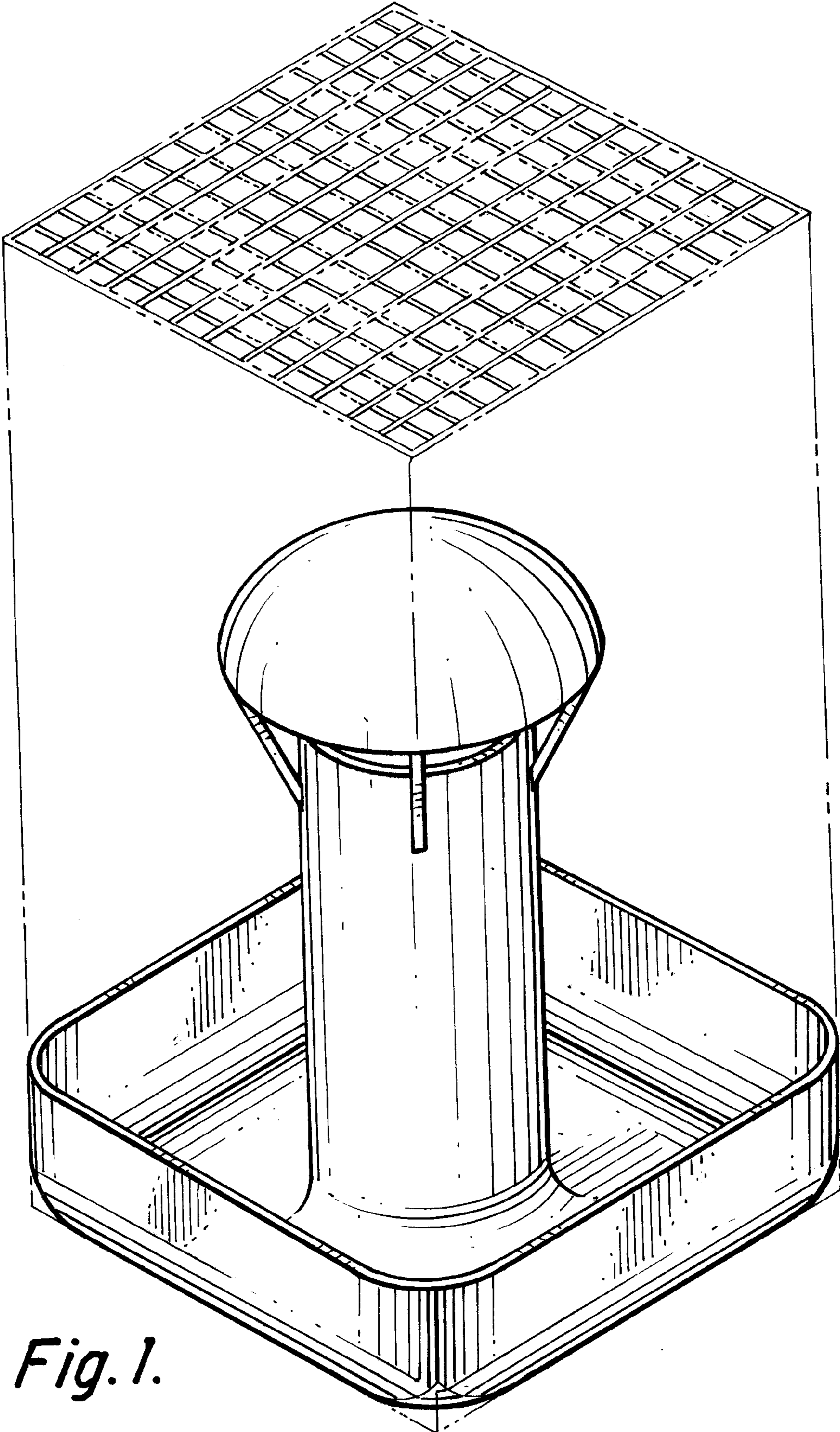


Fig. 1.

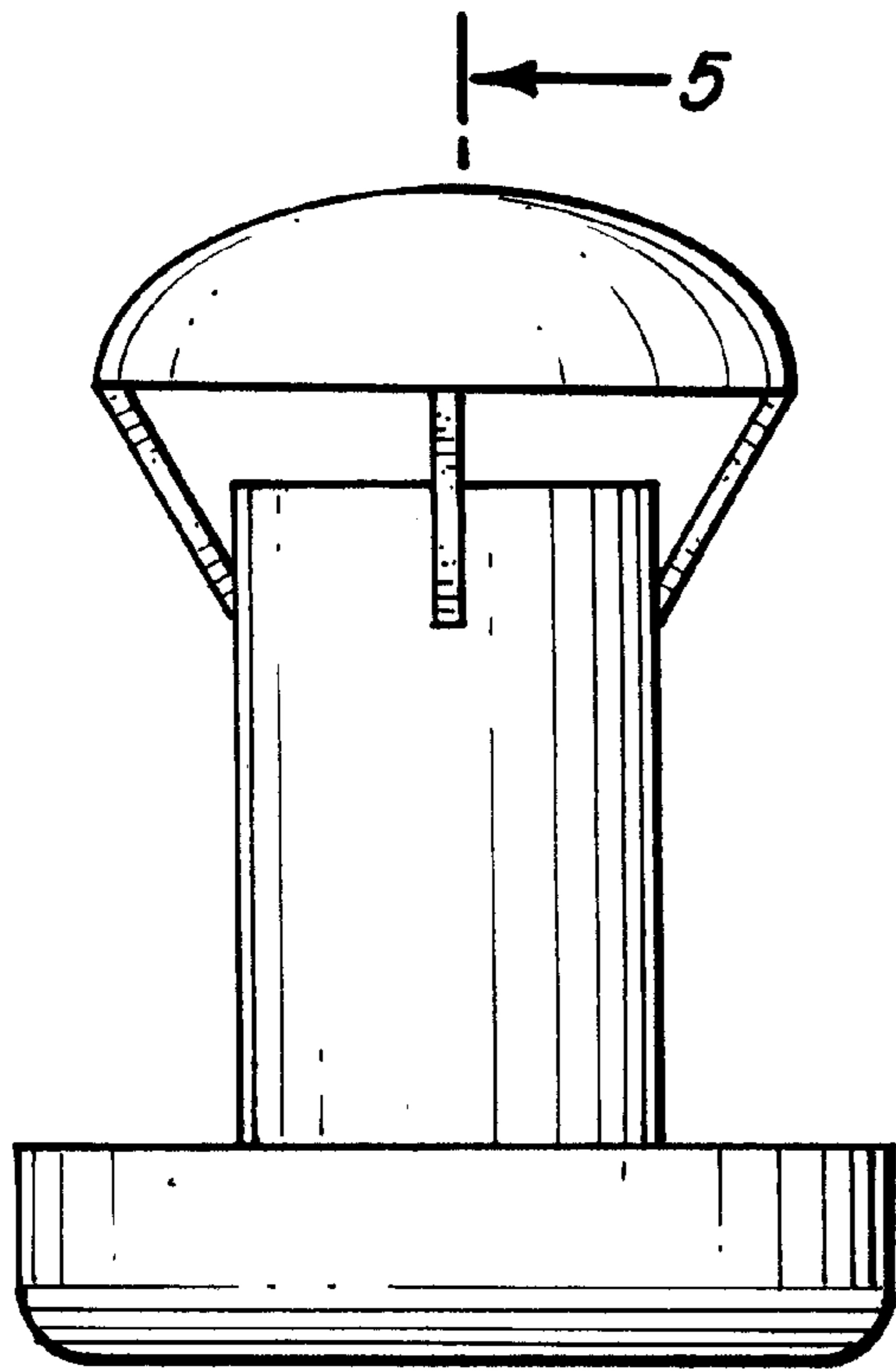


Fig. 2. ← 5

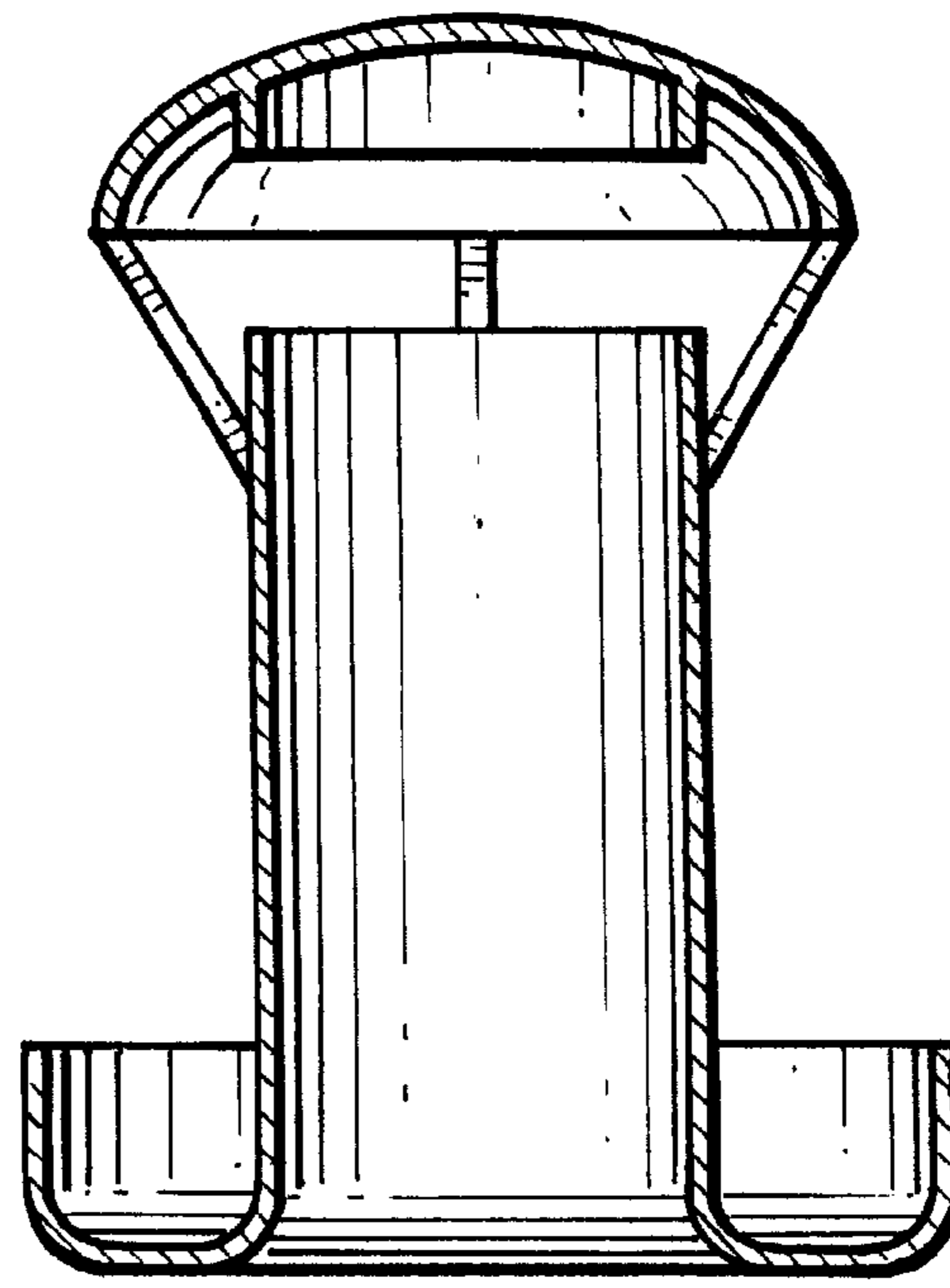


Fig. 5.

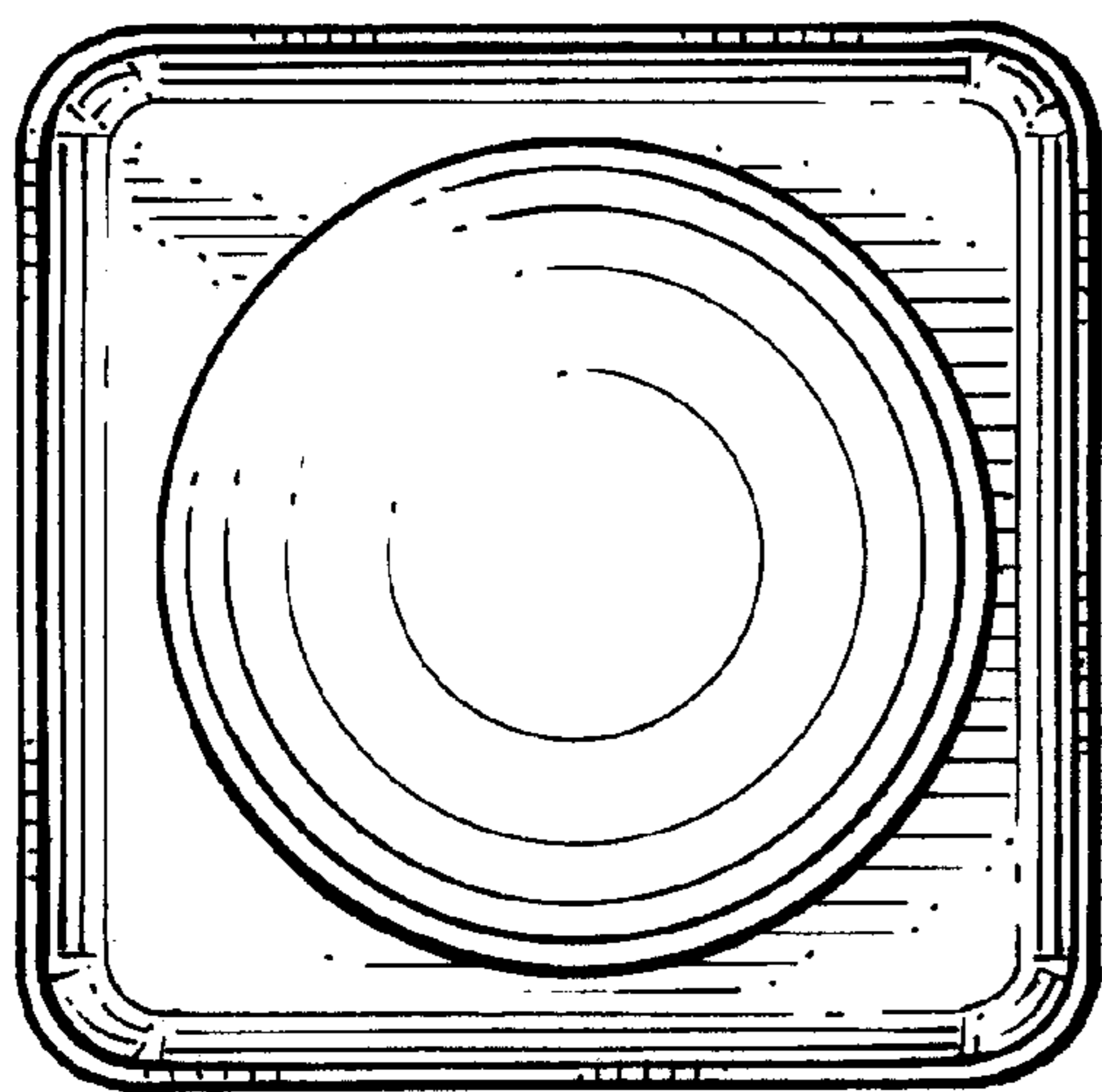


Fig. 3.

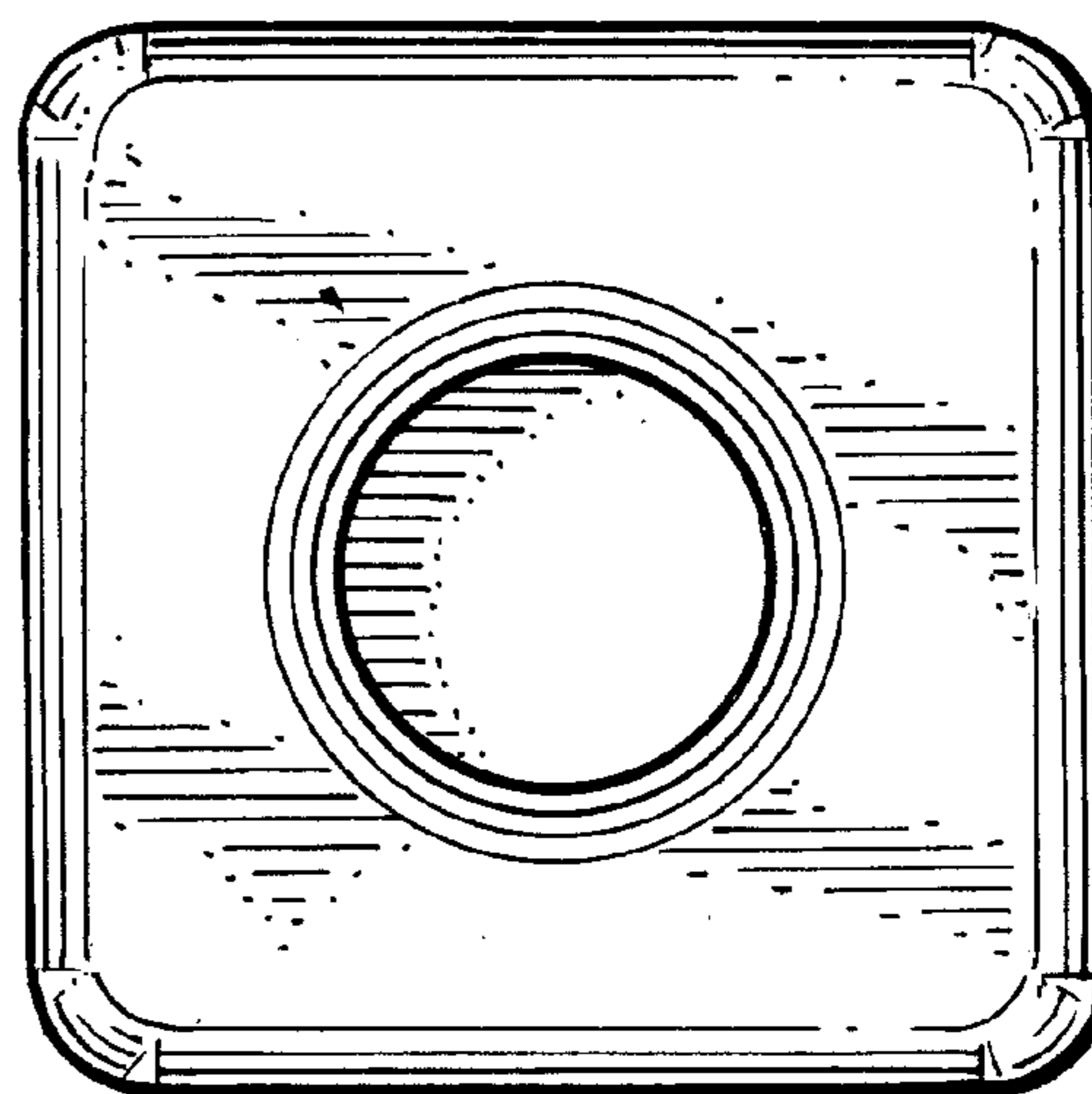


Fig. 4.