

US00D501669S

(12) **United States Design Patent**  
**Burrows**

(10) **Patent No.:** **US D501,669 S**  
(45) **Date of Patent:** **\*\* \*Feb. 8, 2005**

(54) **WOOD-TYPE HEAD FOR A GOLF CLUB**

6,422,951 B1 7/2002 Burrows

(75) Inventor: **Bruce D. Burrows**, Santa Clarita, CA (US)

\* cited by examiner

(73) Assignee: **Burrows Golf, Inc.**, Valencia, CA (US)

*Primary Examiner*—Mitchell Siegel

(\*) Notice: This patent is subject to a terminal disclaimer.

(74) *Attorney, Agent, or Firm*—Kelly Bauersfeld Lowry & Kelley, LLP

(\*\*) Term: **14 Years**

(57) **CLAIM**

The ornamental design for a wood-type head for a golf club, as shown and described.

(21) Appl. No.: **29/167,731**

**DESCRIPTION**

(22) Filed: **Sep. 18, 2002**

(51) **LOC (7) Cl.** ..... **21-02**

(52) **U.S. Cl.** ..... **D21/752**

(58) **Field of Search** ..... D21/733, 752;  
473/327, 328–331, 343, 344

FIG. 1 is a perspective view showing the front, toe and heel sides of a wood type for a golf club embodying the new design;

FIG. 2 is a front elevational view thereof;

FIG. 3 is a toe side elevational view thereof;

FIG. 4 is a heel side elevational view thereof;

FIG. 5 is a rear elevational view thereof;

FIG. 6 is a top plan view thereof;

FIG. 7 is a bottom plan view thereof;

FIG. 8 is a sectional view taken generally on the line 8—8 of FIG. 3;

FIG. 9 is a bottom plan view of a second embodiment of the golf club head as disclosed in FIG. 1; and,

FIG. 10 is a sectional view of the second embodiment, corresponding generally with the sectional view of FIG. 8.

The undisclosed sides of the second embodiment are identical to those shown with respect to the embodiment of FIGS. 1–8.

The broken line showings of a fragmented shaft and striking face is for illustrative purposes only and form no part of the claimed design.

(56) **References Cited**

**U.S. PATENT DOCUMENTS**

1,588,617	A	*	6/1926	Rose	.....	473/343
3,374,027	A	*	3/1968	Jacobs	.....	294/19.2
4,511,145	A	*	4/1985	Schmidt	.....	473/346
D354,103	S	*	1/1995	Allen	.....	D21/752
D356,356	S	*	3/1995	Jacobs	.....	D21/744
D364,666	S	*	11/1995	Nagy	.....	D21/743
D385,003	S		10/1997	Burrows		
D390,294	S		2/1998	Burrows		
D390,295	S		2/1998	Burrows		
D392,354	S		3/1998	Burrows		
D397,749	S		9/1998	Burrows		
D401,299	S		11/1998	Burrows		
5,851,159	A		12/1998	Burrows		
D413,642	S		9/1999	Burrows		
D413,953	S		9/1999	Burrows		

**1 Claim, 5 Drawing Sheets**

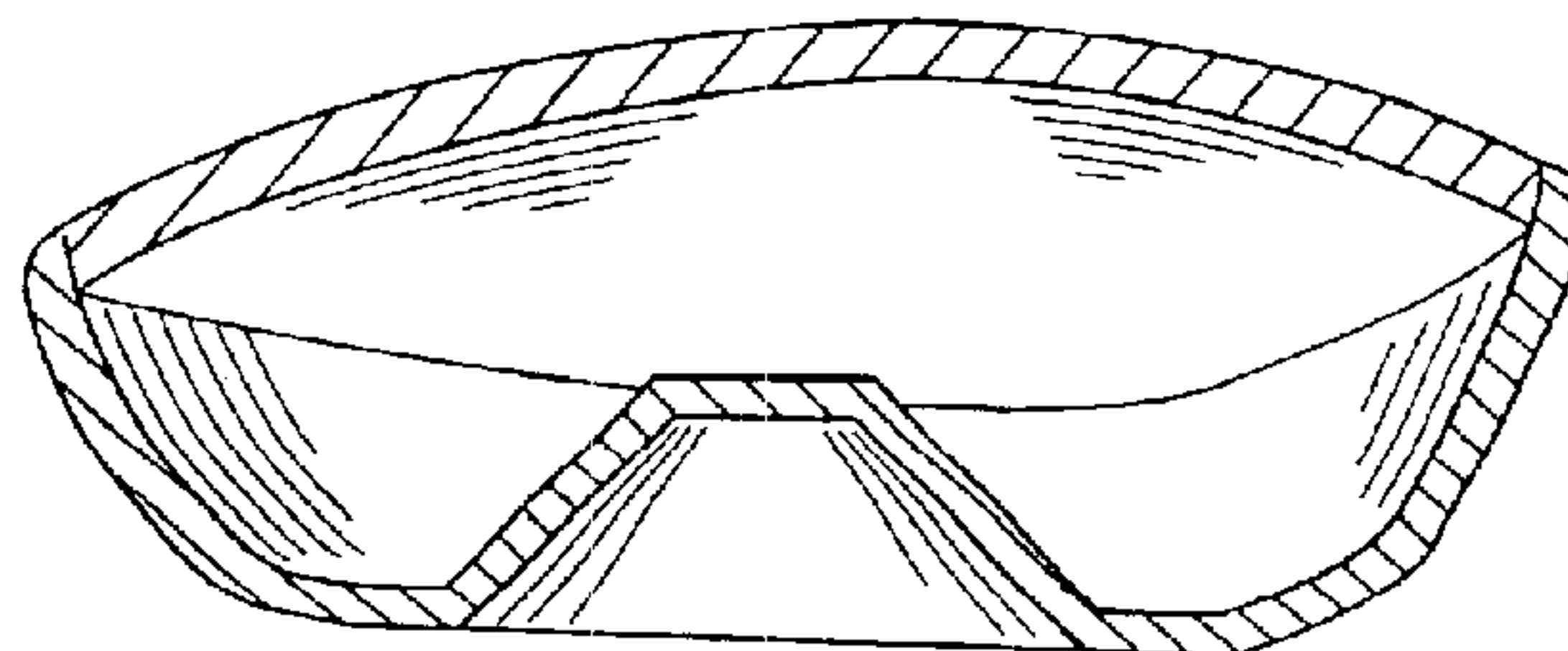
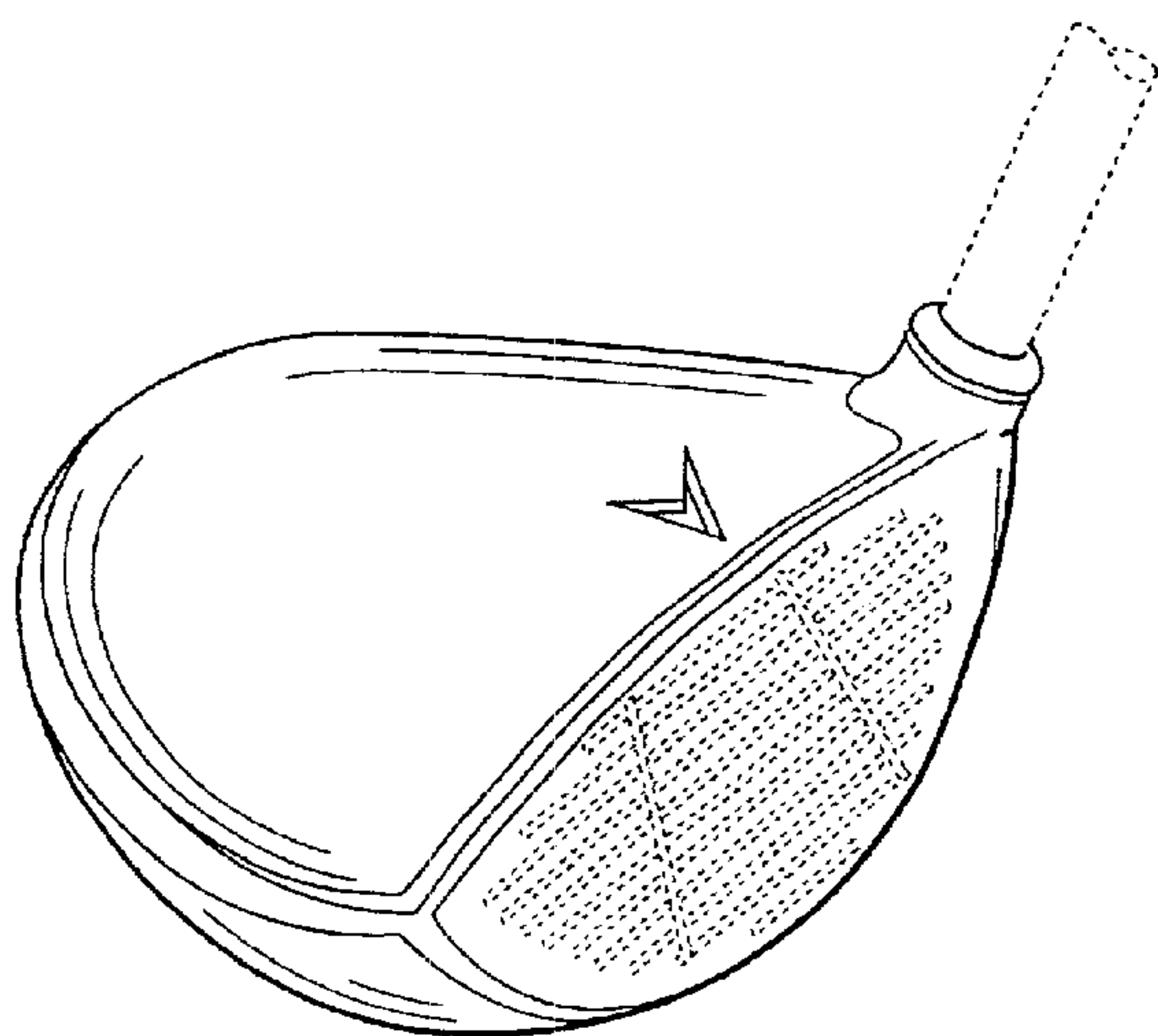


FIG. 1

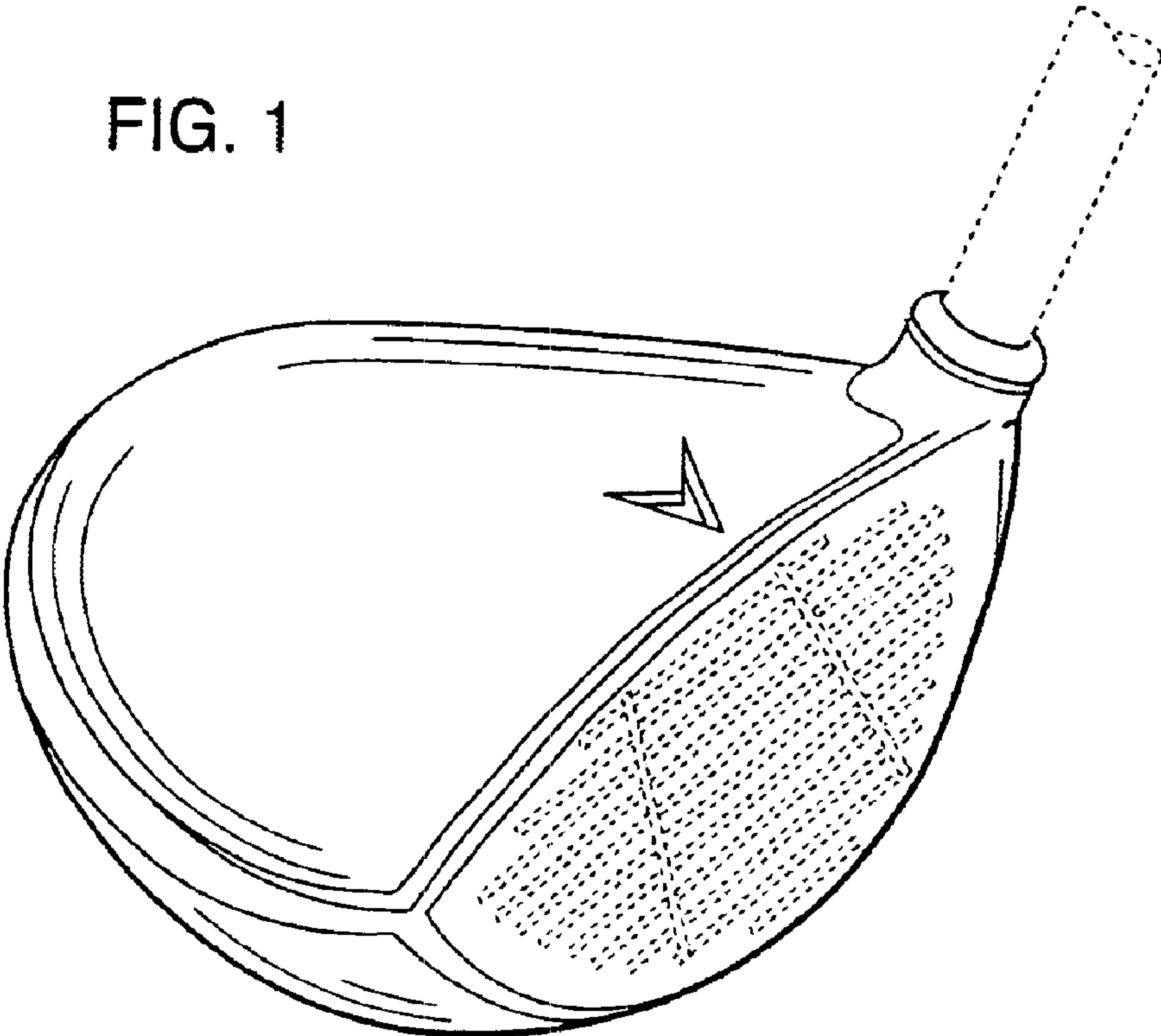


FIG. 2

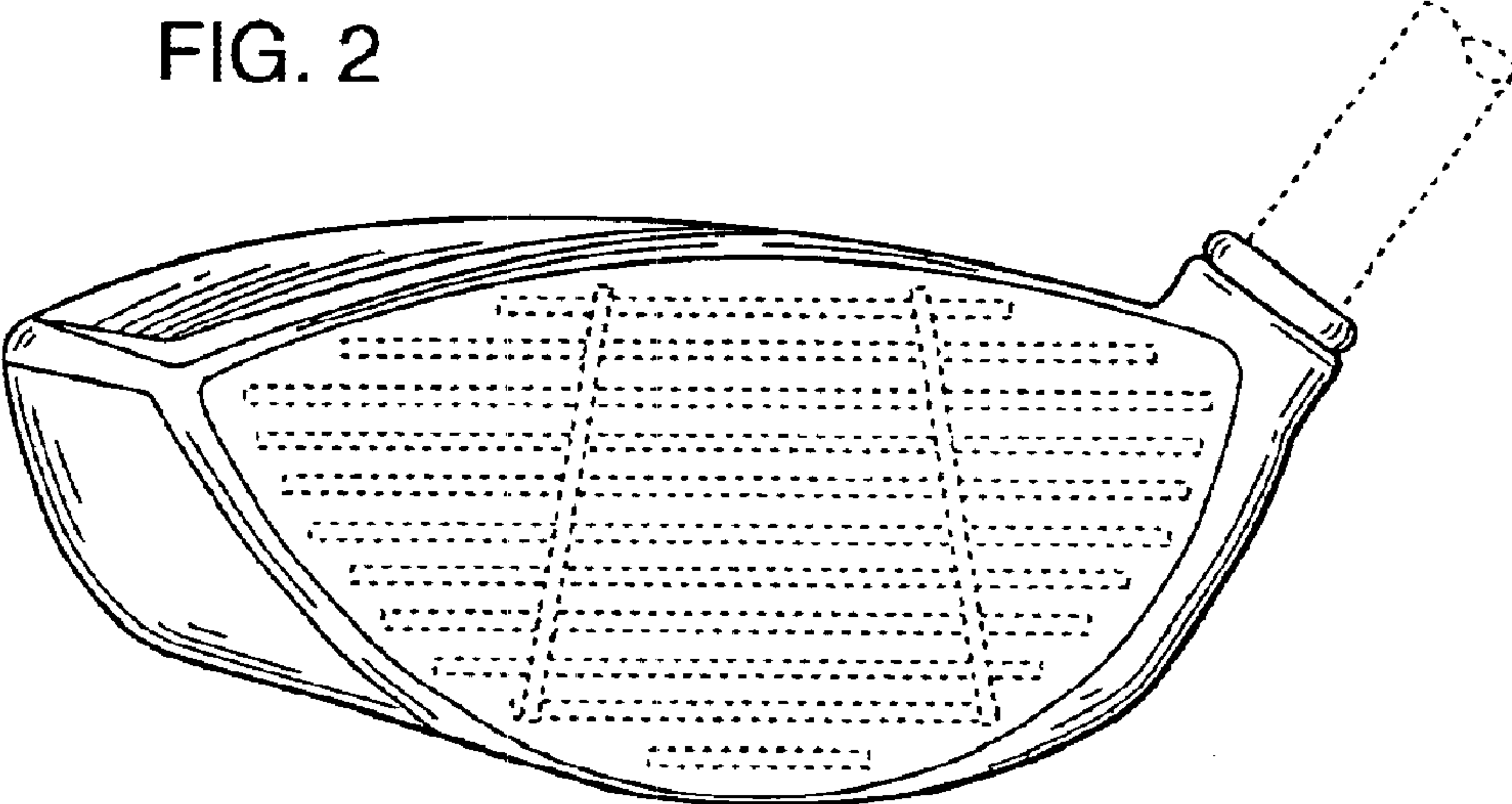


FIG. 3

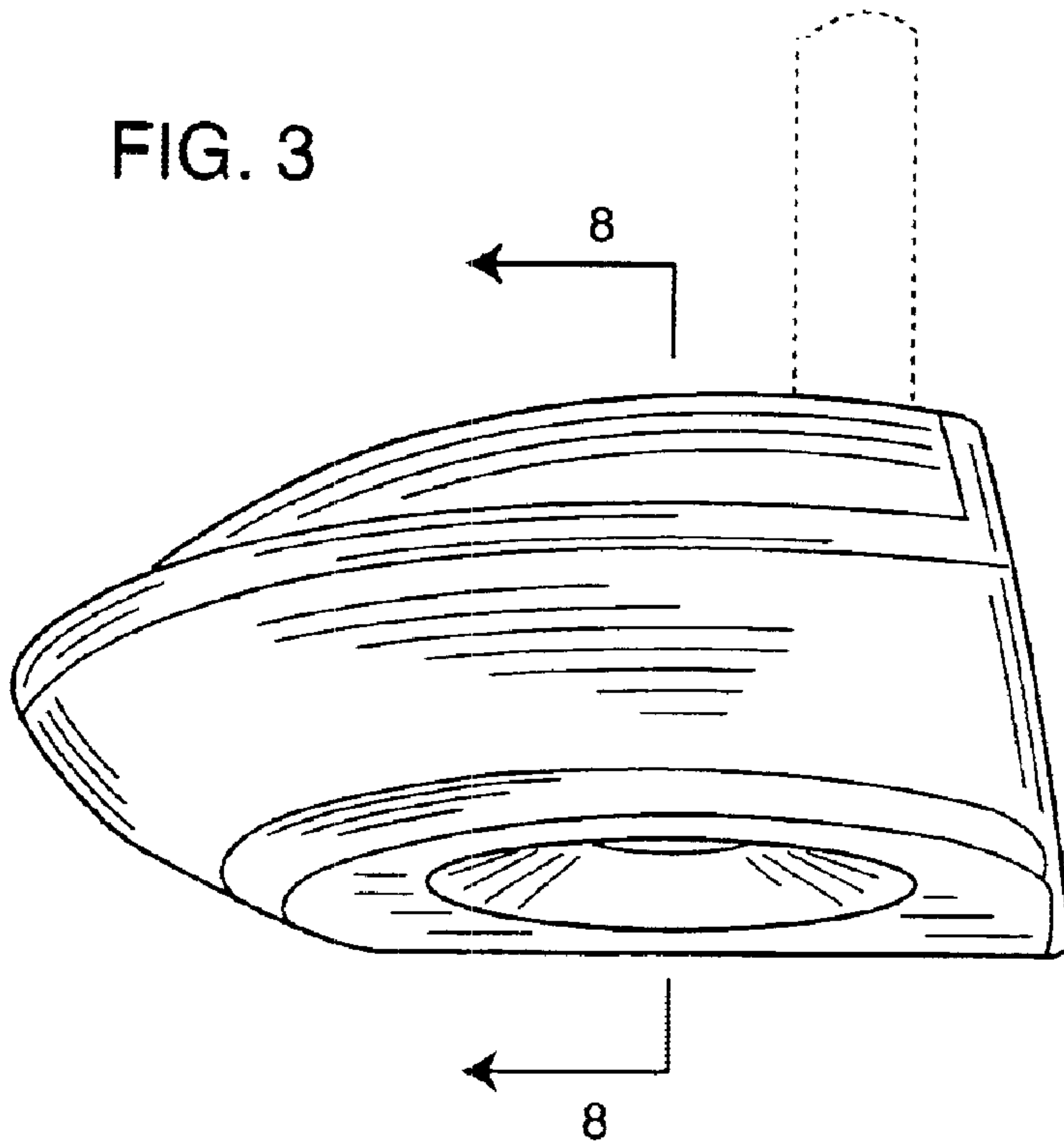


FIG. 4

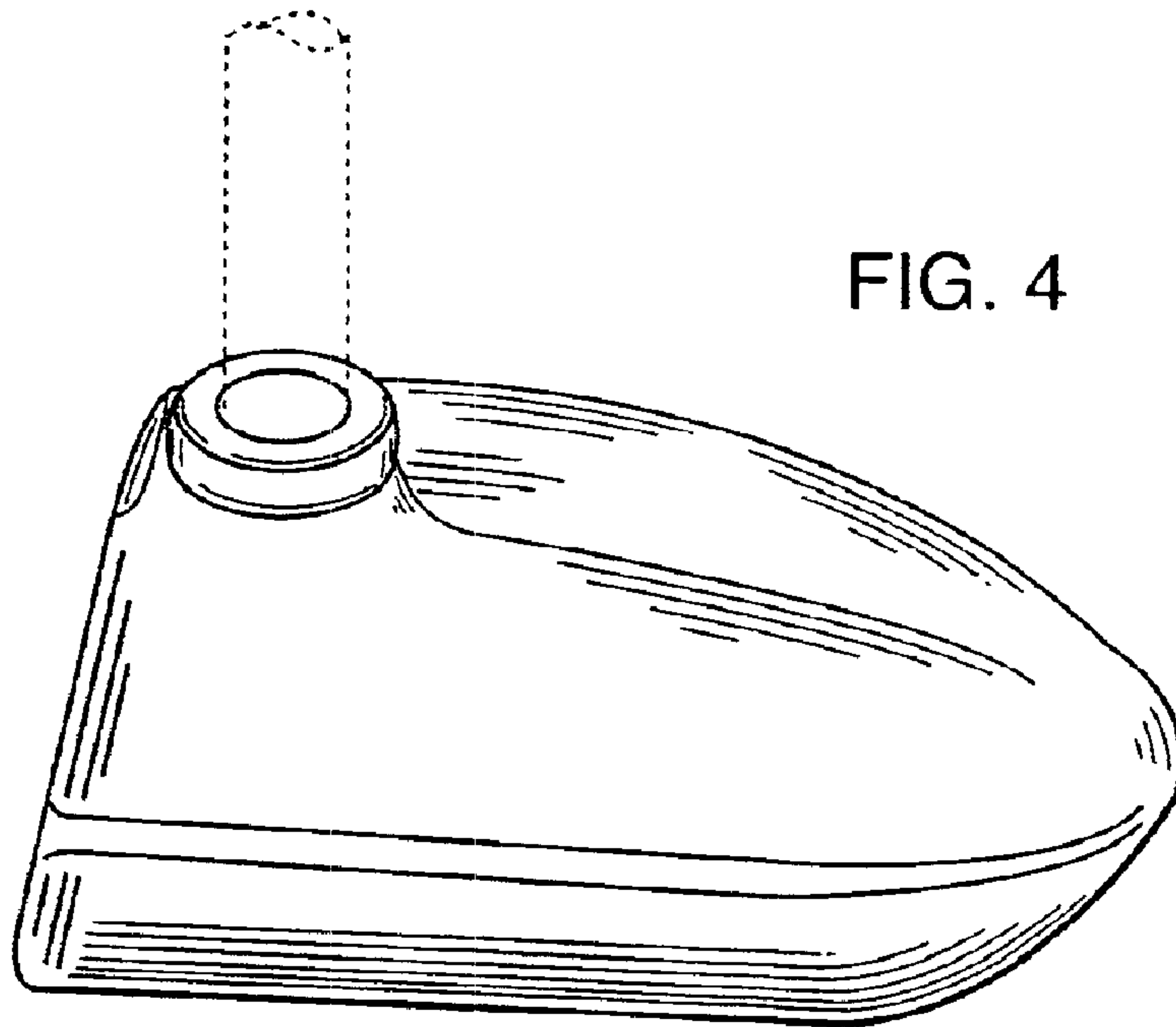


FIG. 5

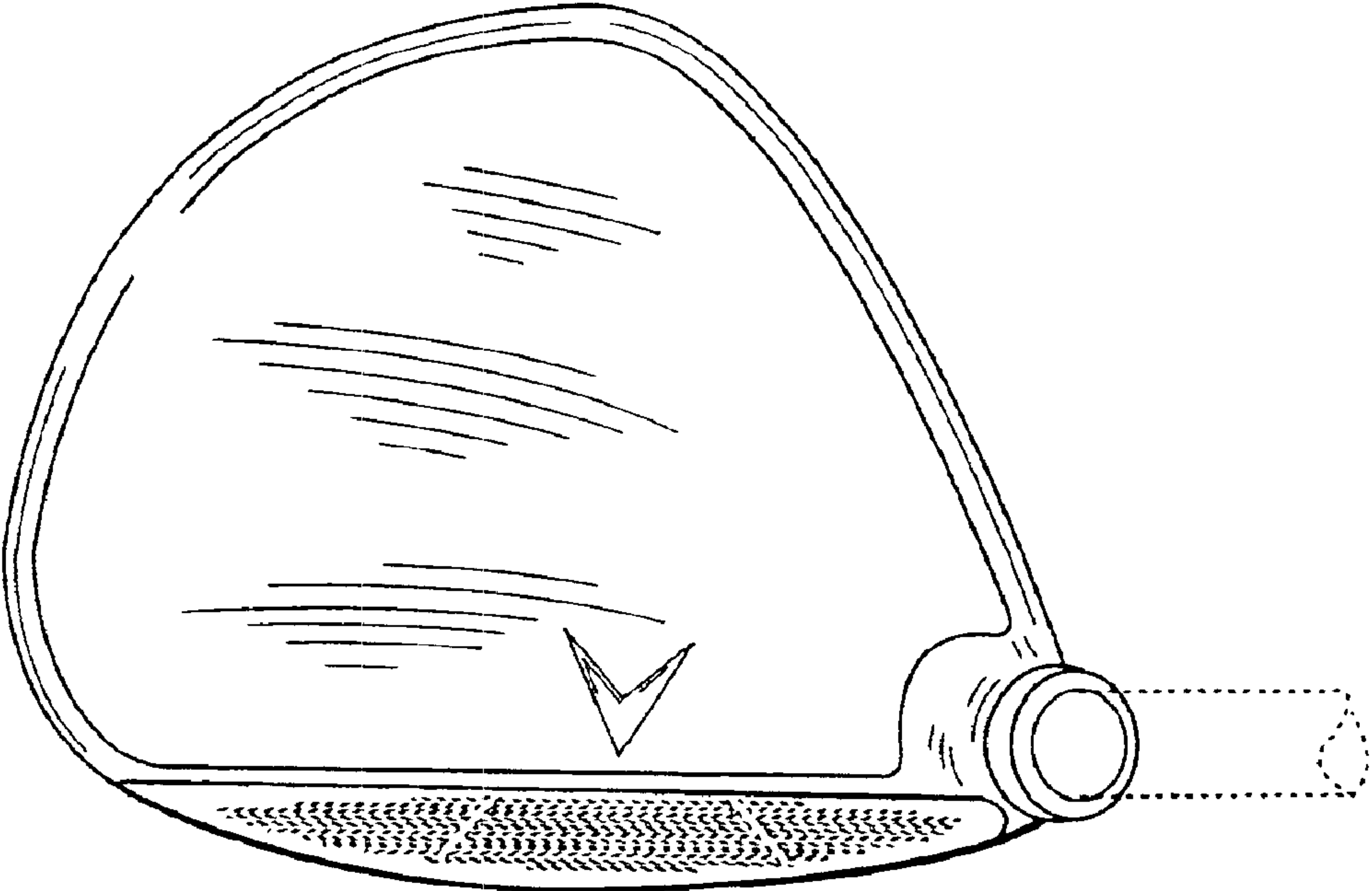
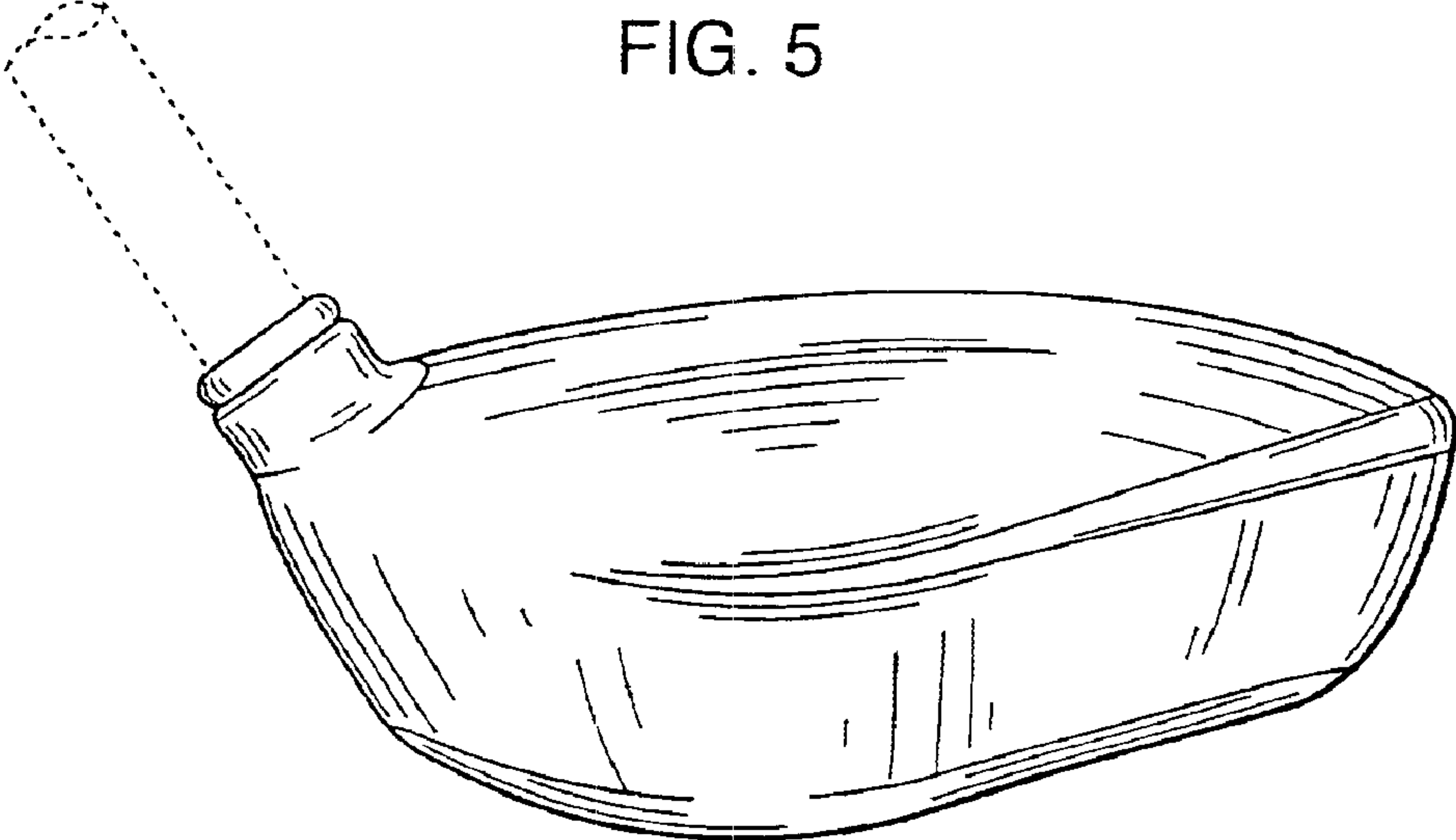


FIG. 6



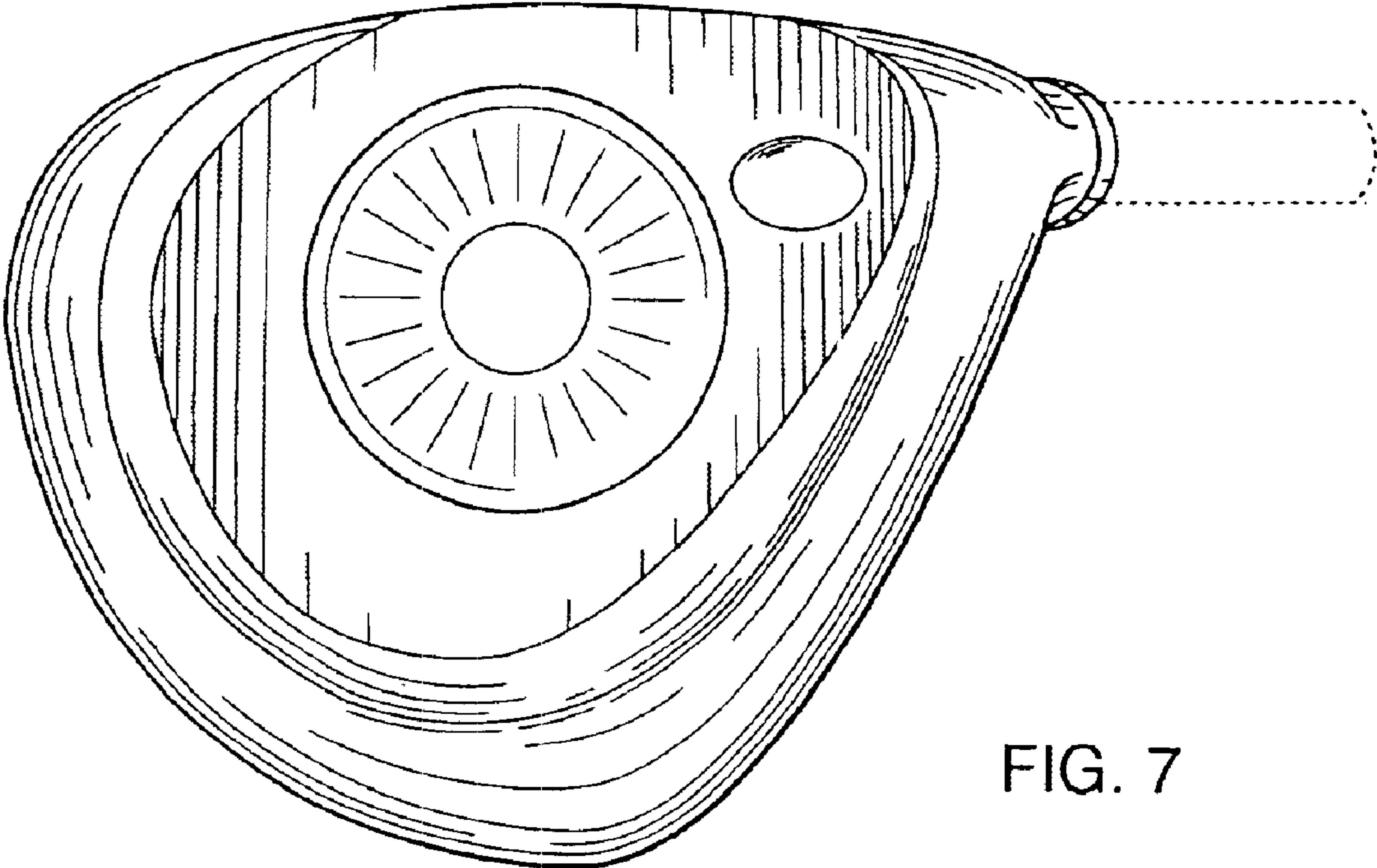


FIG. 7

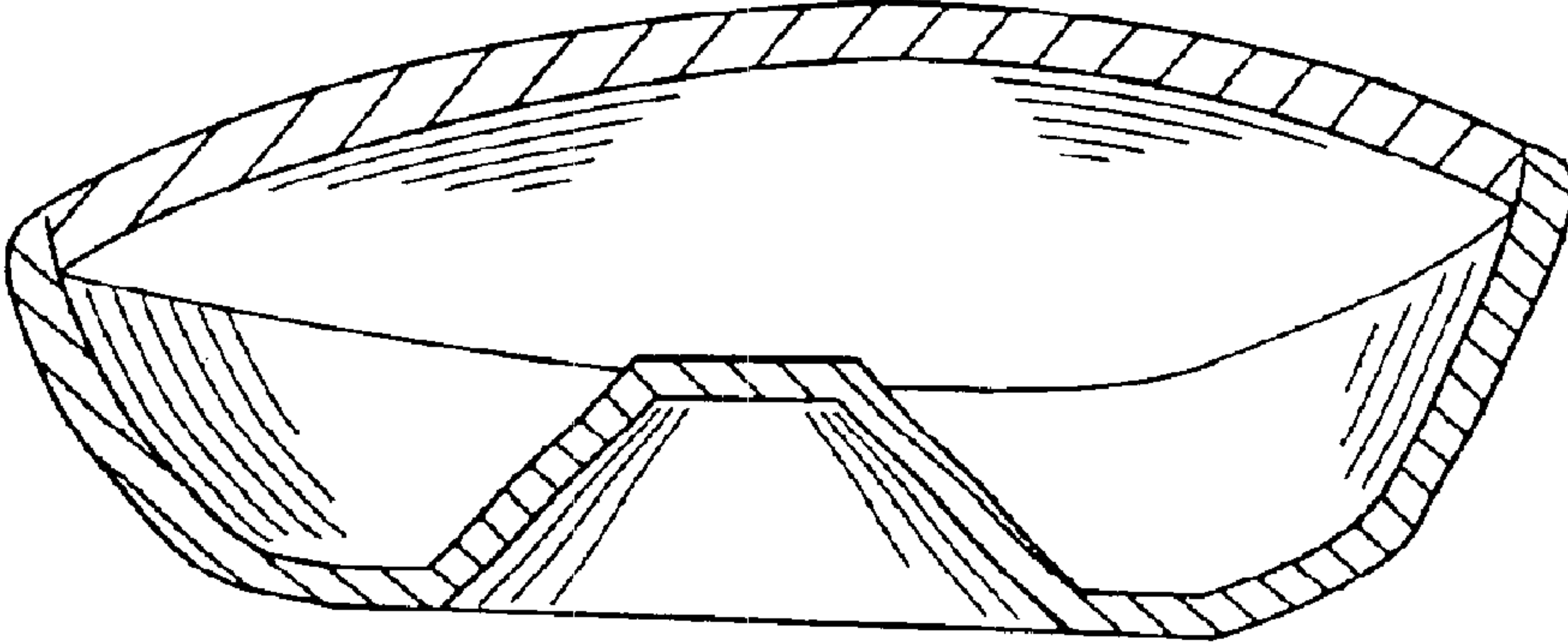


FIG. 8

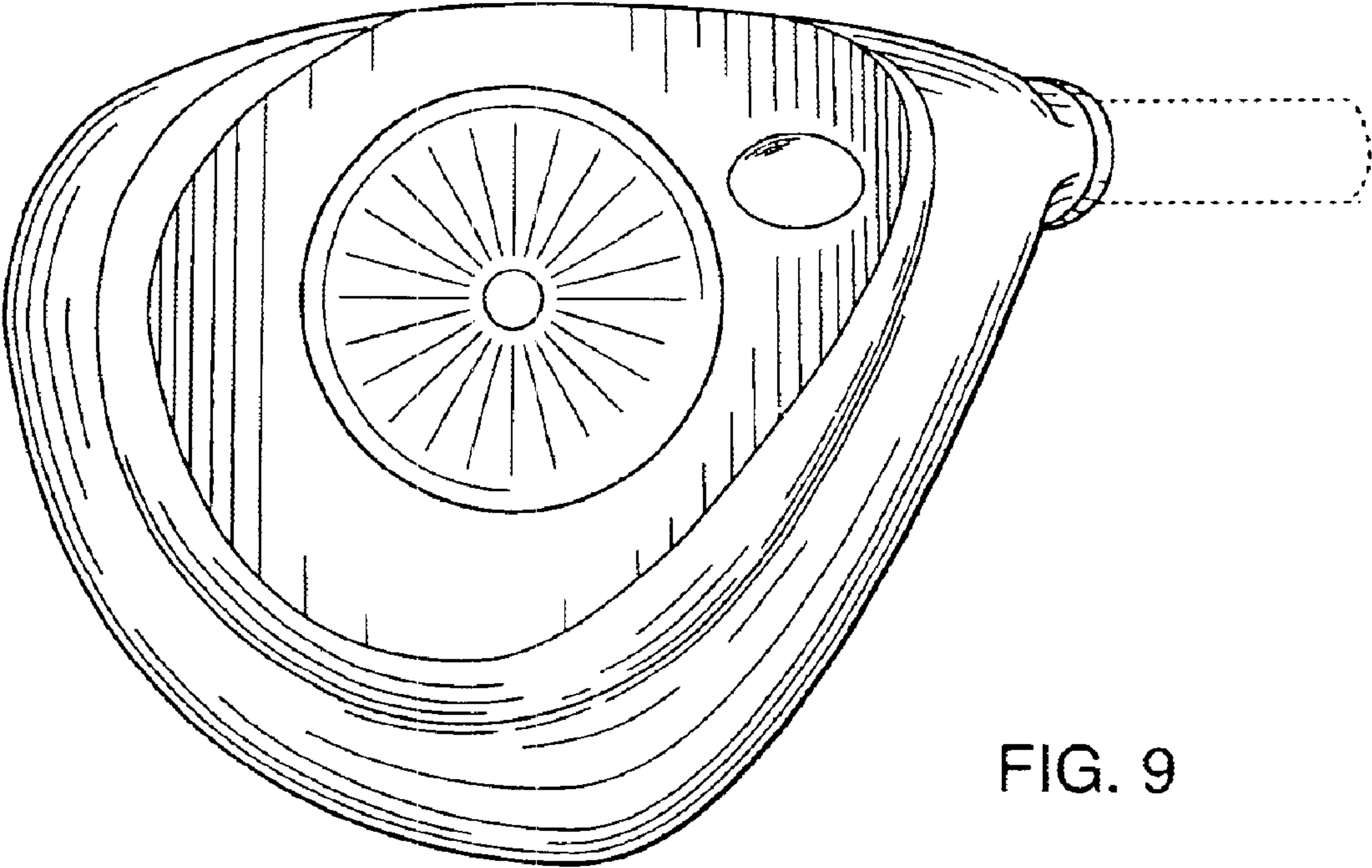


FIG. 9

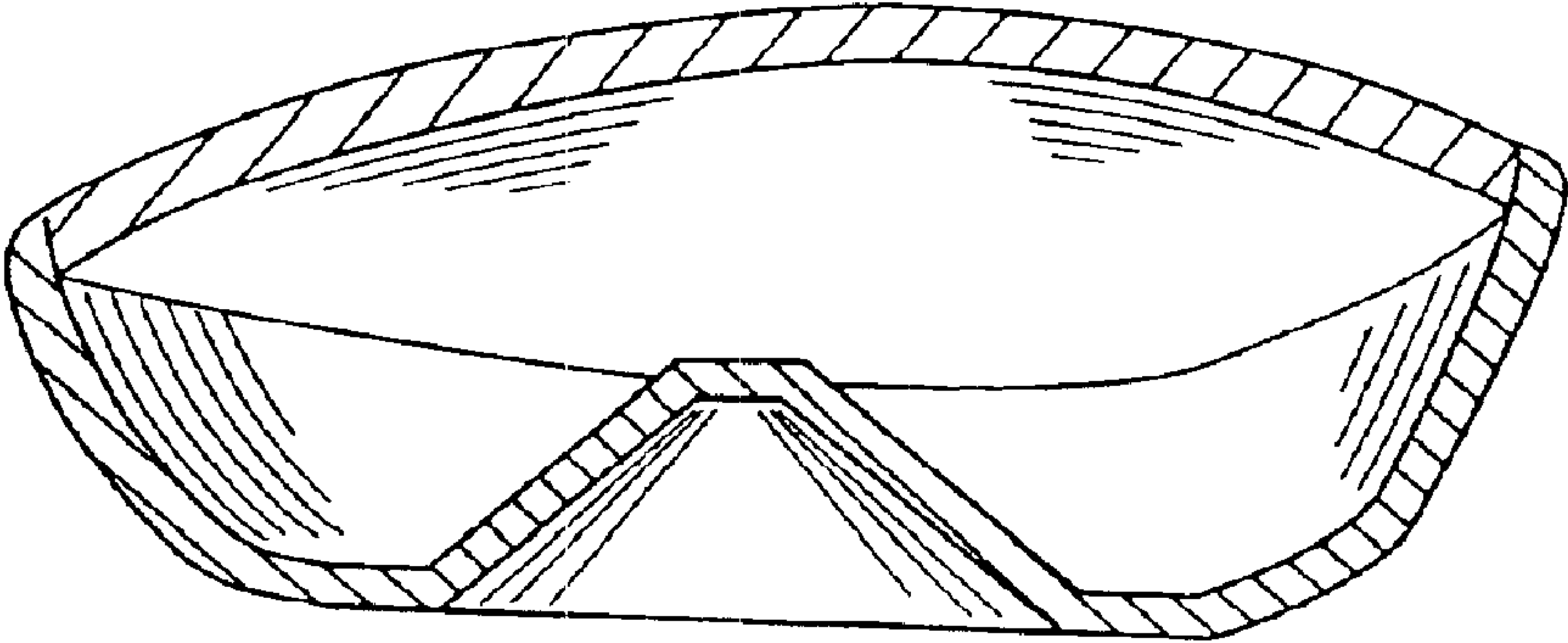


FIG. 10