

US00D501667S

(12) **United States Design Patent**
Ishigami et al.

(10) **Patent No.: US D501,667 S**
(45) **Date of Patent: ** Feb. 8, 2005**

(54) **PRINTER WITH COPYING AND SCANNING FUNCTIONS**

(75) Inventors: **Michifumi Ishigami, Nagoya (JP); Toshitaka Iwago, Okazaki (JP)**

(73) Assignee: **Brother Industries, Ltd., Nagoya (JP)**

(**) Term: **14 Years**

(21) Appl. No.: **29/185,819**

(22) Filed: **Jul. 7, 2003**

(30) **Foreign Application Priority Data**

Jan. 7, 2003	(JP)	2003-000130
Jan. 8, 2003	(JP)	2003-000190
Jun. 13, 2003	(JP)	2003-016811
Jun. 13, 2003	(JP)	2003-016812

(51) **LOC (7) Cl. 14-02**

(52) **U.S. Cl. D18/50; D18/36; D14/422**

(58) **Field of Search D18/19, 36-41, D18/50, 53, 54, 54.1, 55; D14/420-425, 462-470, 349; 400/613, 613.1, 613.4, 690.1-690.4, 691-694; 355/97, 400; 399/1, 3, 81, 87, 107-108, 130, 151**

(56) **References Cited**

U.S. PATENT DOCUMENTS

D318,485 S	*	7/1991	Hikawa et al.	D18/37
D380,204 S	*	6/1997	Kogoh et al.	D14/425

D398,632 S	*	9/1998	Dodge et al.	D18/36
D408,443 S	*	4/1999	Sasaki	D18/36
D408,843 S	*	4/1999	Kusanagi	D18/36
6,026,258 A	*	2/2000	Fresk et al.	399/87
D456,834 S	*	5/2002	Fetherolf et al.	D18/36
D466,149 S	*	11/2002	Takeuchi	D18/36
D491,219 S	*	6/2004	Shimamura	D18/50

* cited by examiner

Primary Examiner—Cathy Anne MacCormac

(74) *Attorney, Agent, or Firm*—Oliff & Berridge, PLC

(57) **CLAIM**

The ornamental design for a printer with copying and scanning functions, as shown and described.

DESCRIPTION

FIG. 1 is a front view of a printer with copying and scanning functions;

FIG. 2 is a rear view thereof;

FIG. 3 is a left view thereof;

FIG. 4 is a right view thereof;

FIG. 5 is a top view thereof;

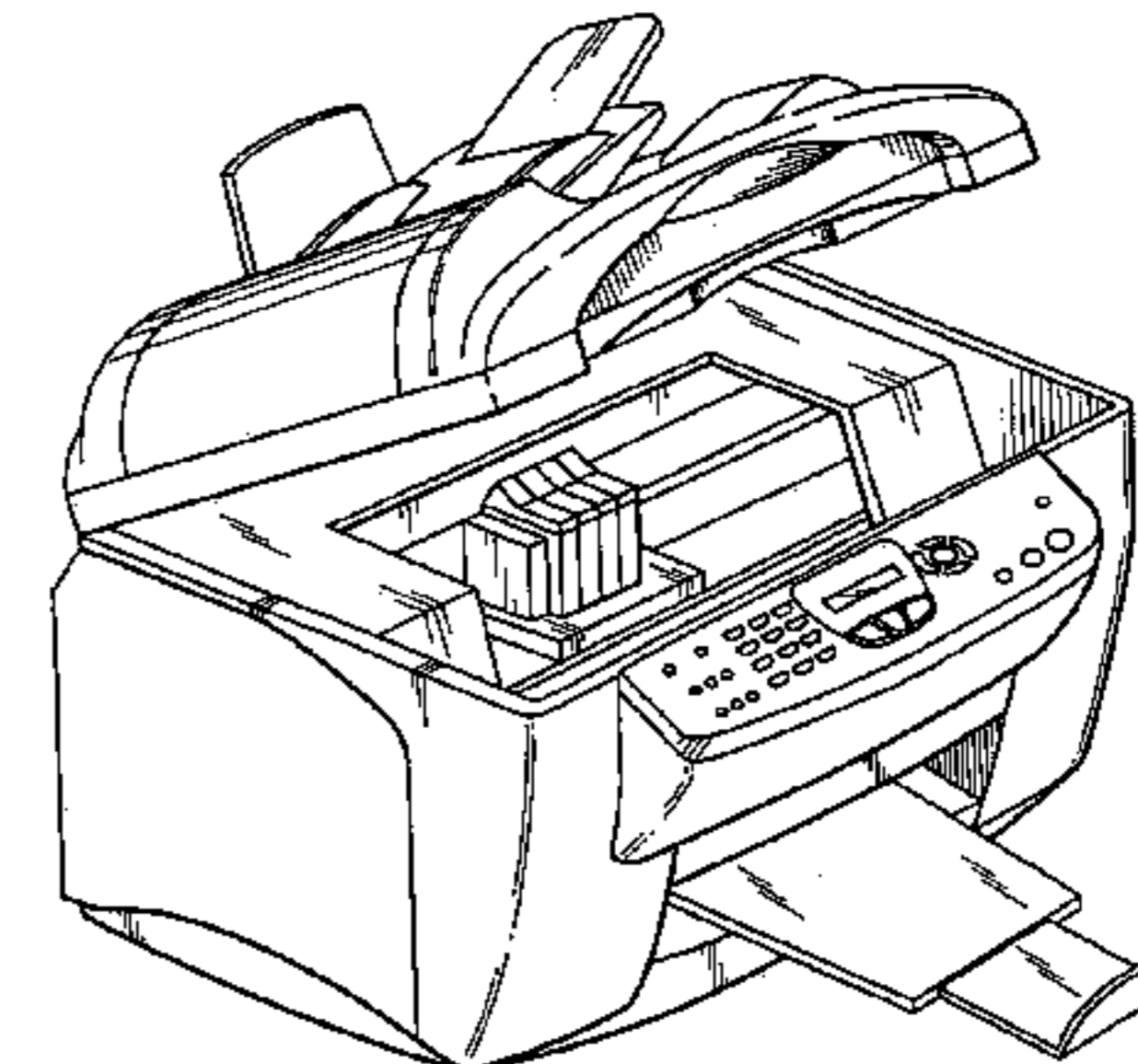
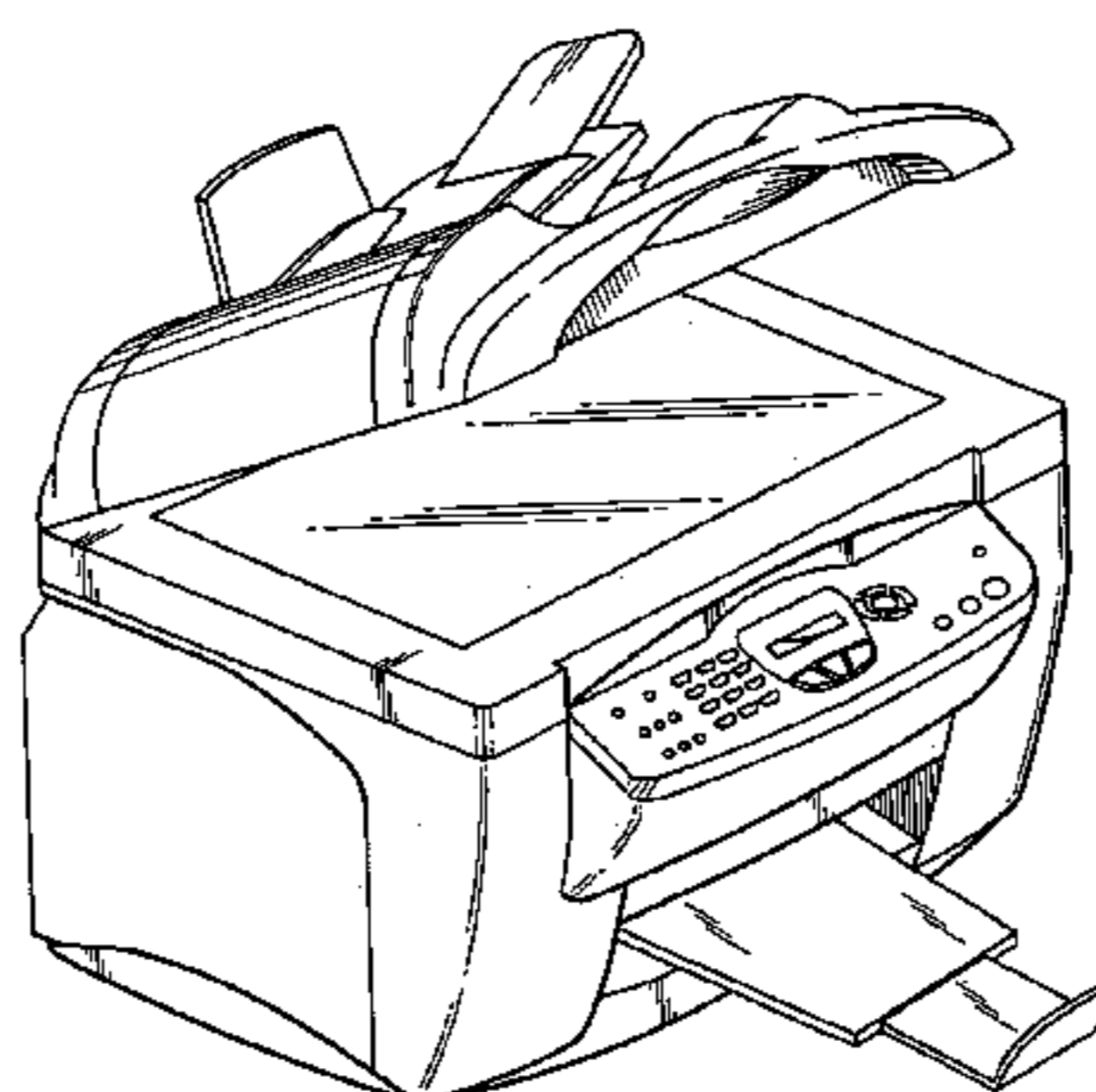
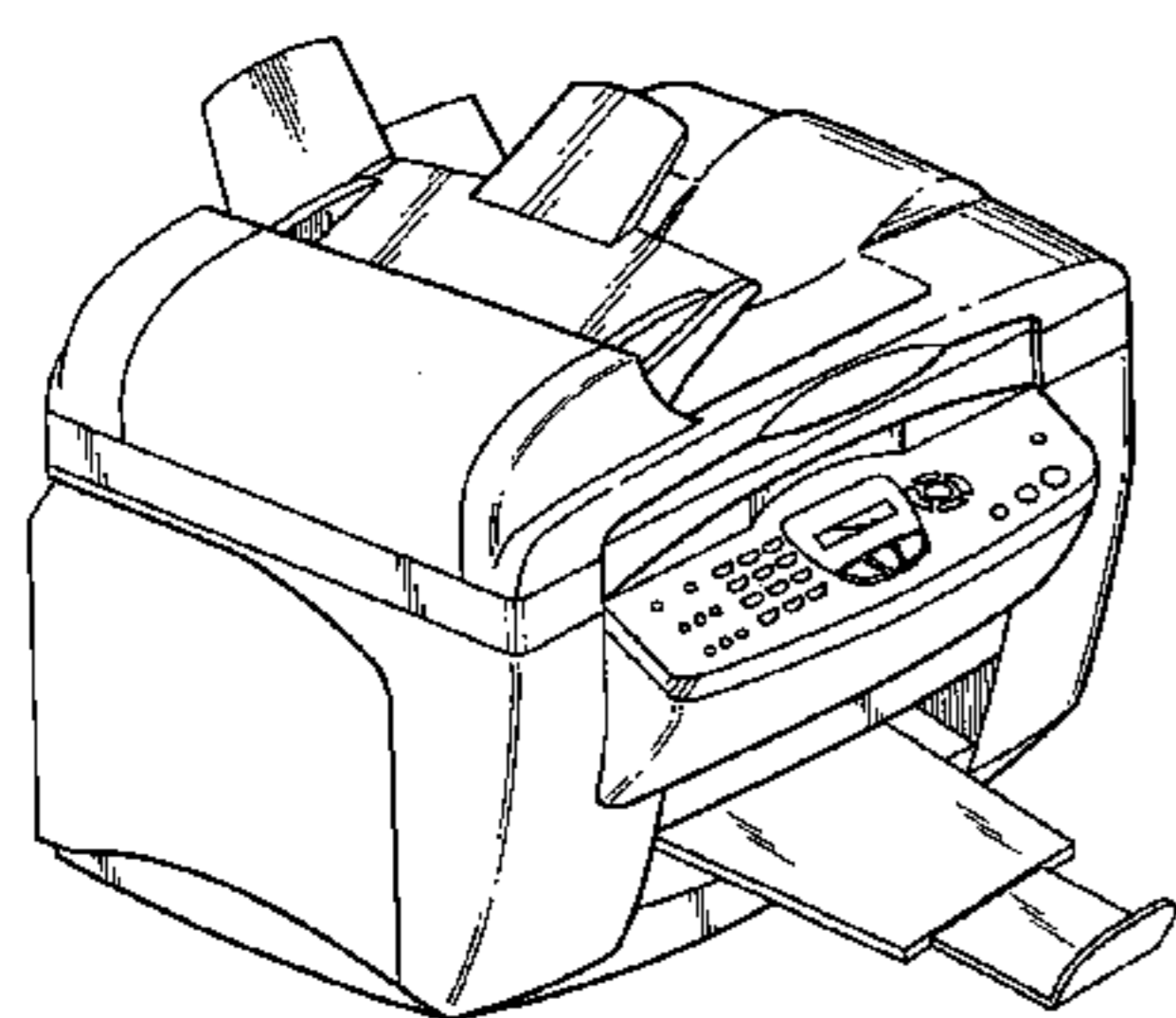
FIG. 6 is a bottom view thereof;

FIG. 7 is a perspective view thereof, showing the paper tray in extended position;

FIG. 8 is a perspective view of FIG. 7 with the scanner lid in an open position; and,

FIG. 9 is a perspective view of FIG. 7 with both the printer and scanner lids in an open position.

1 Claim, 6 Drawing Sheets



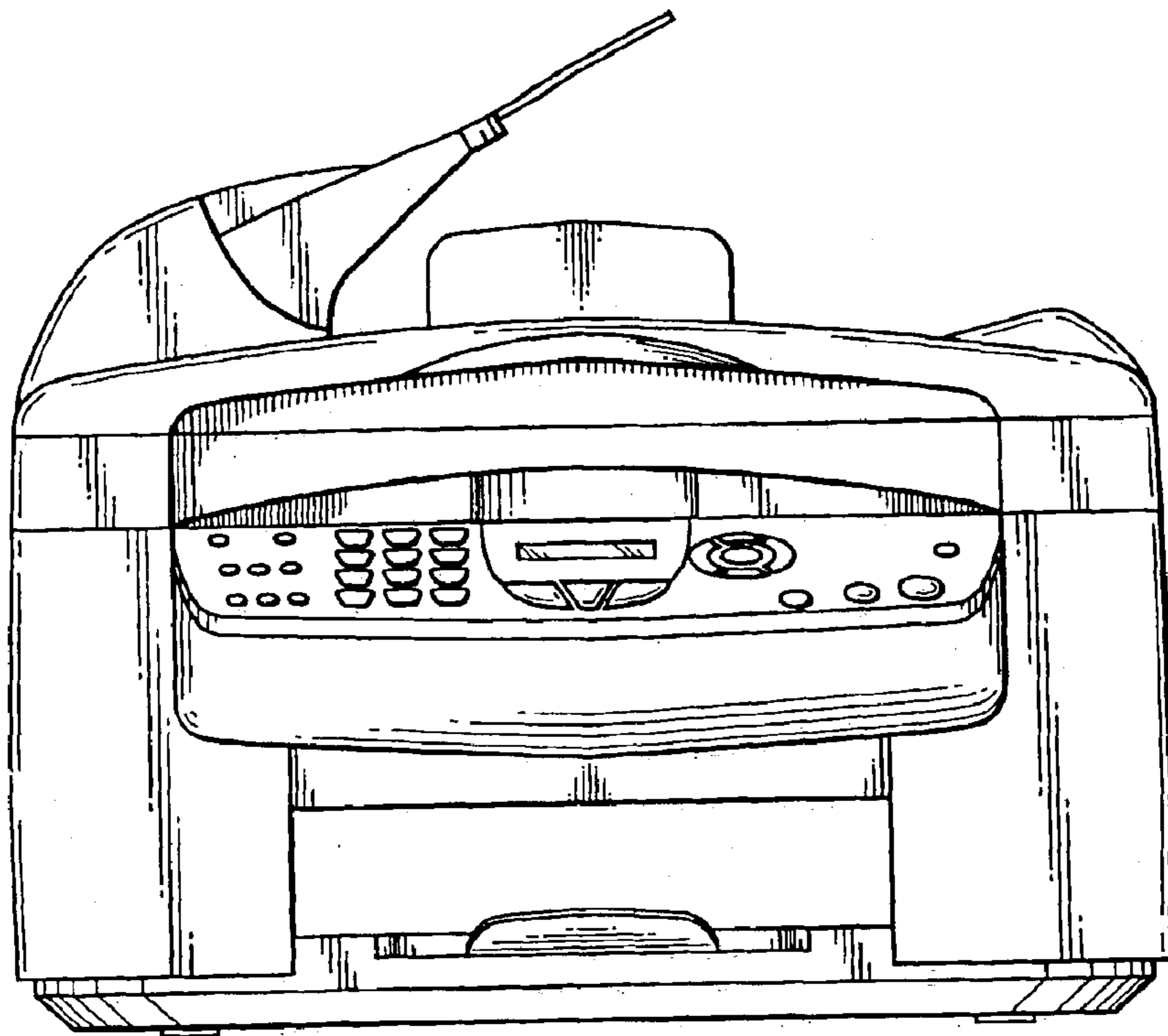


Fig. 1

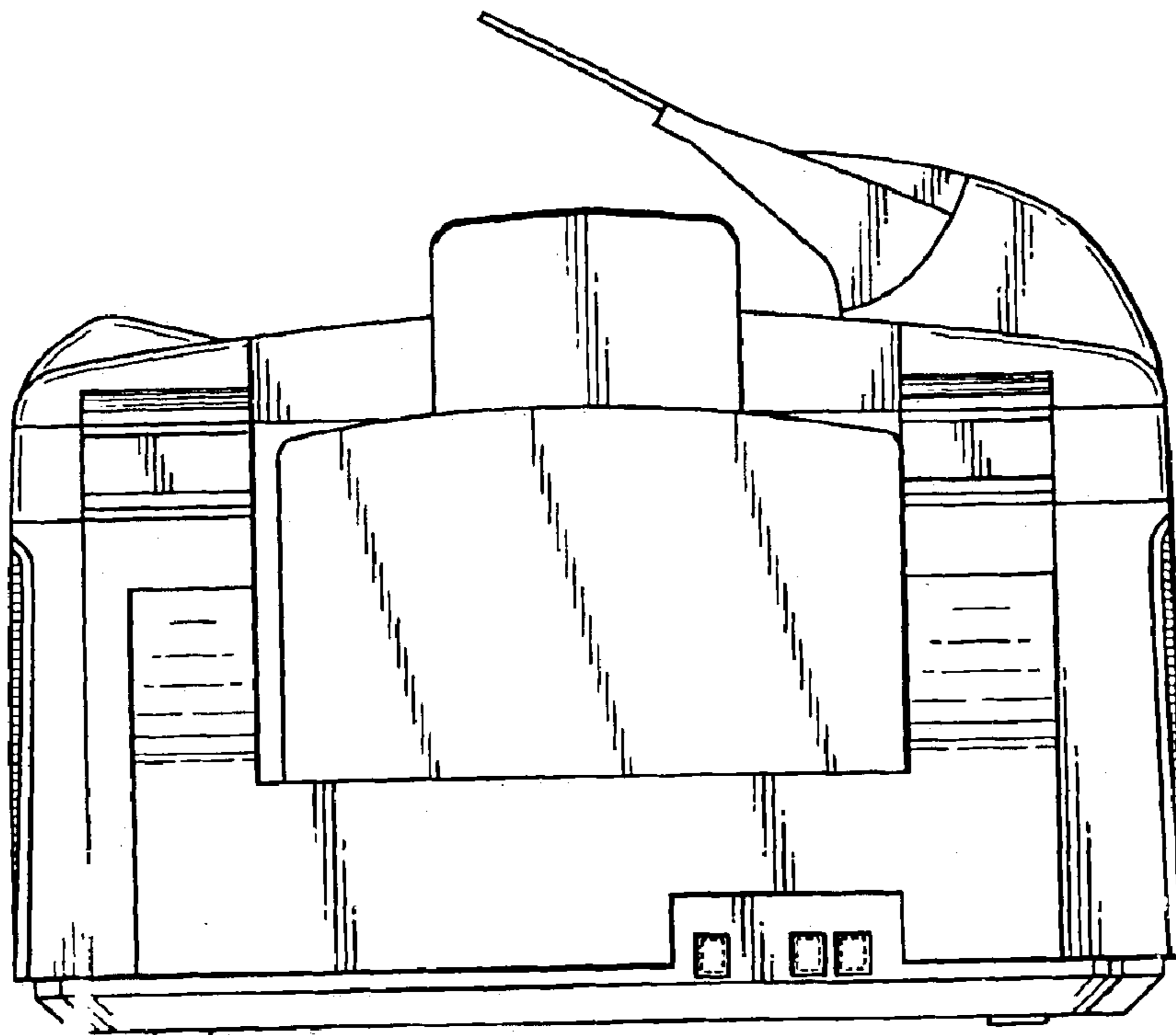


Fig. 2

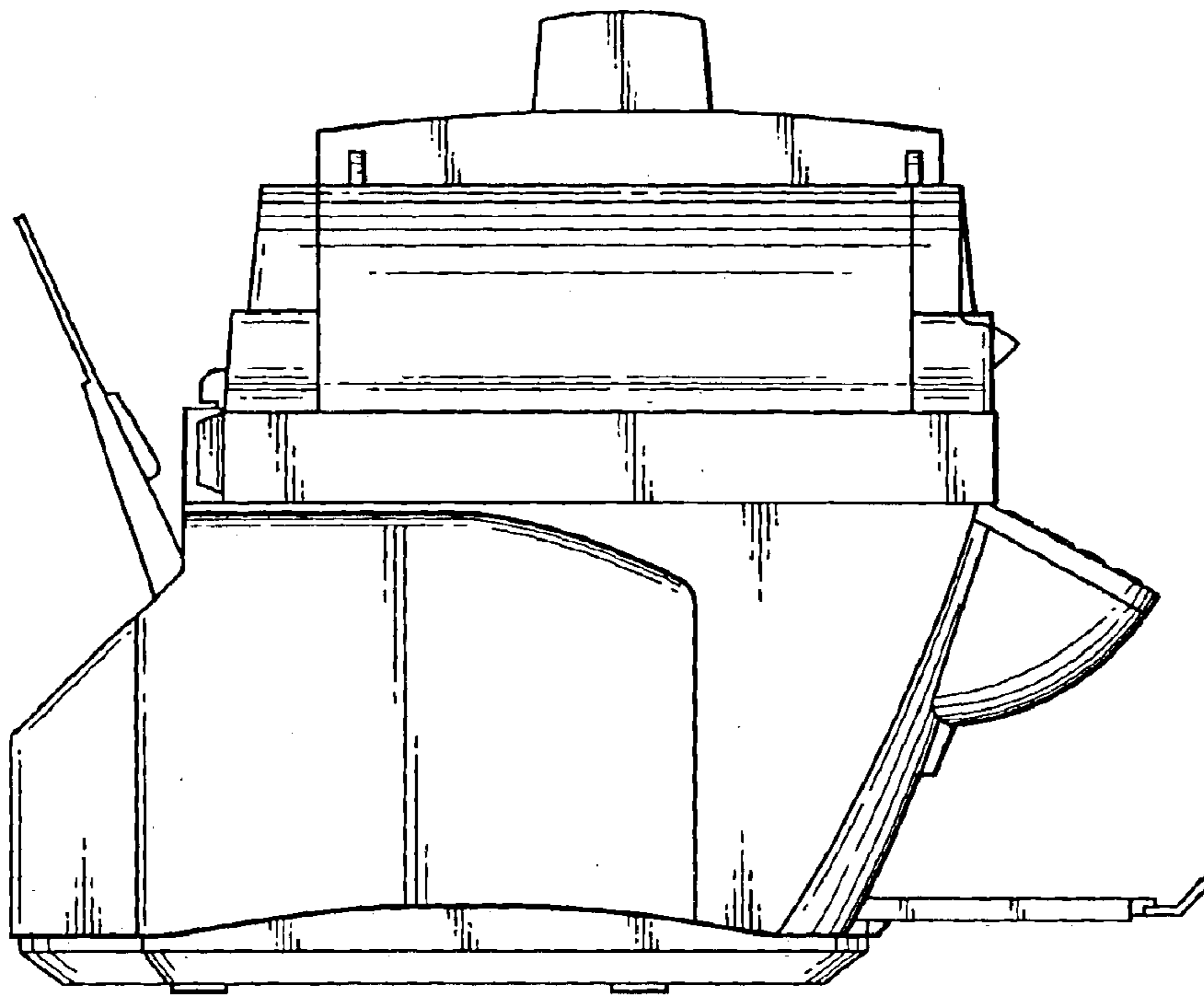


Fig. 3

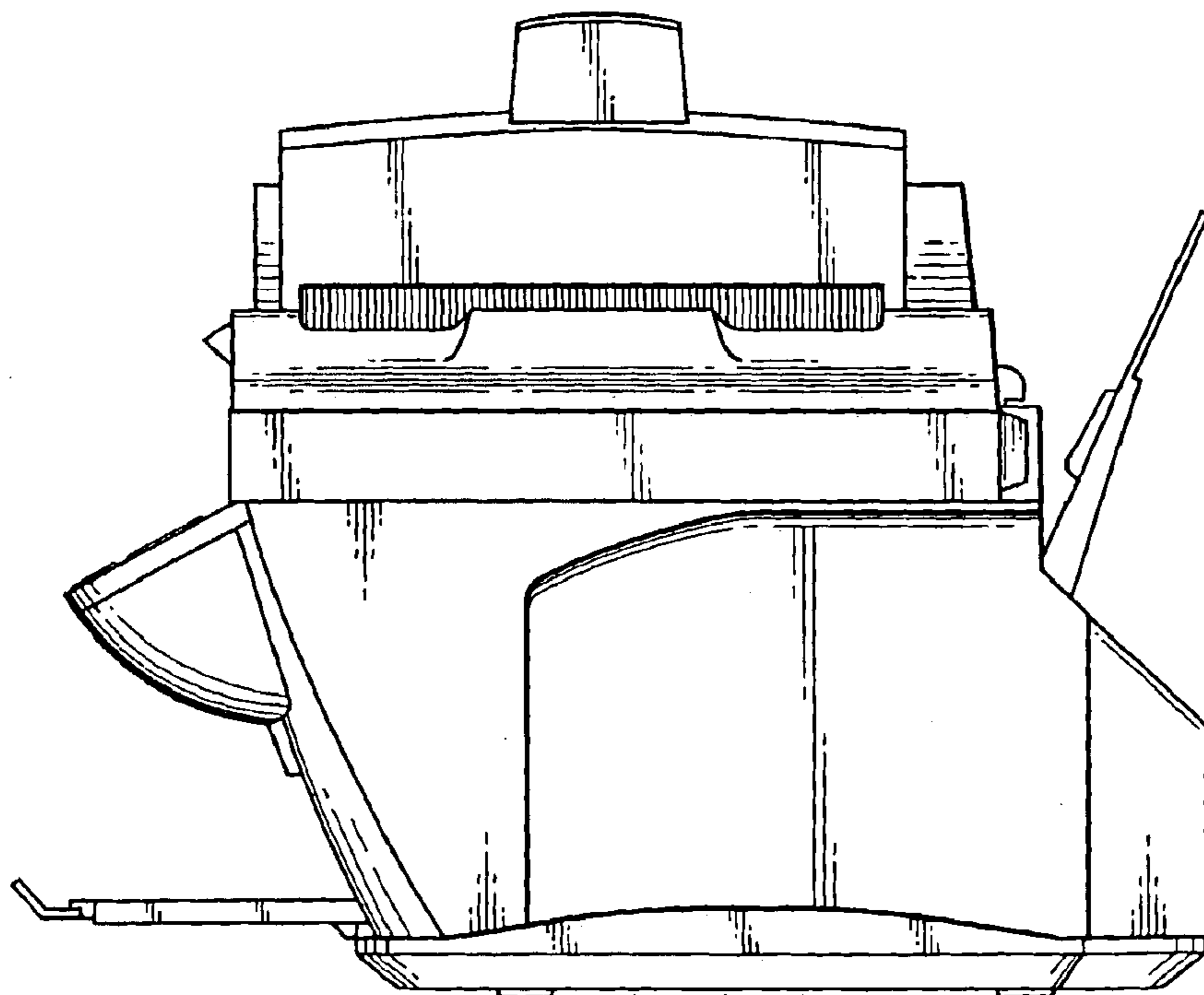


Fig. 4

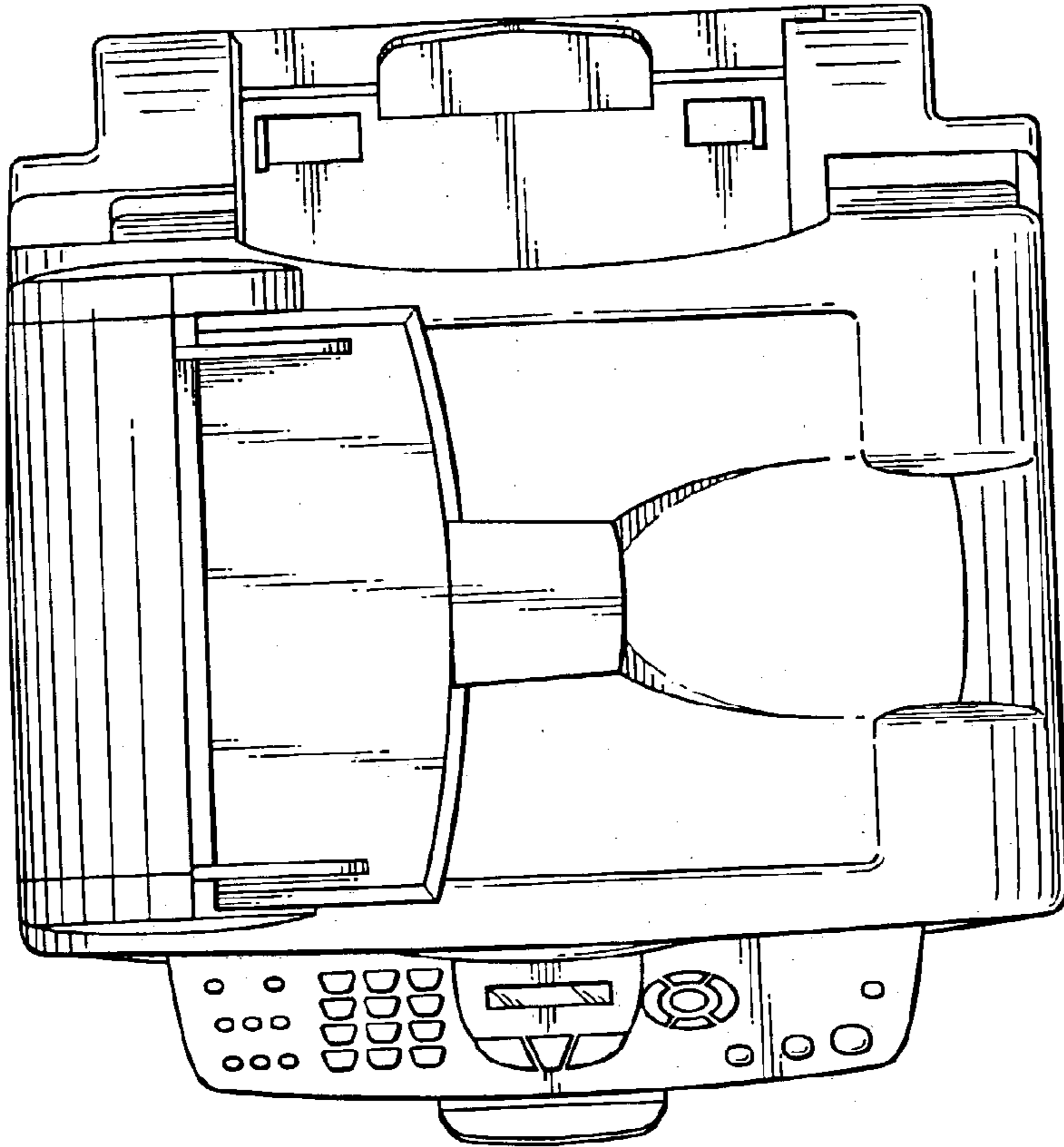


Fig. 5

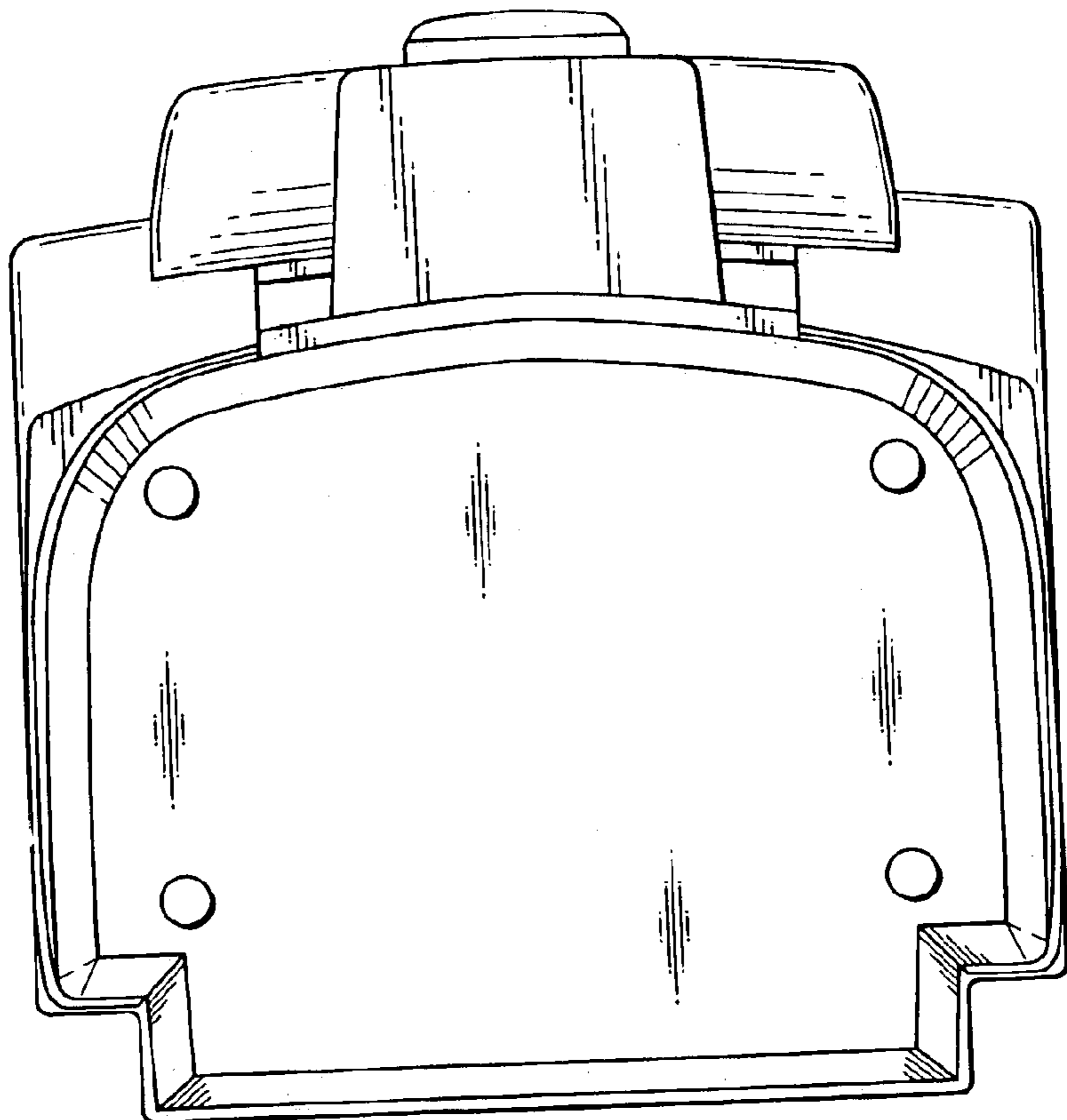


Fig. 6

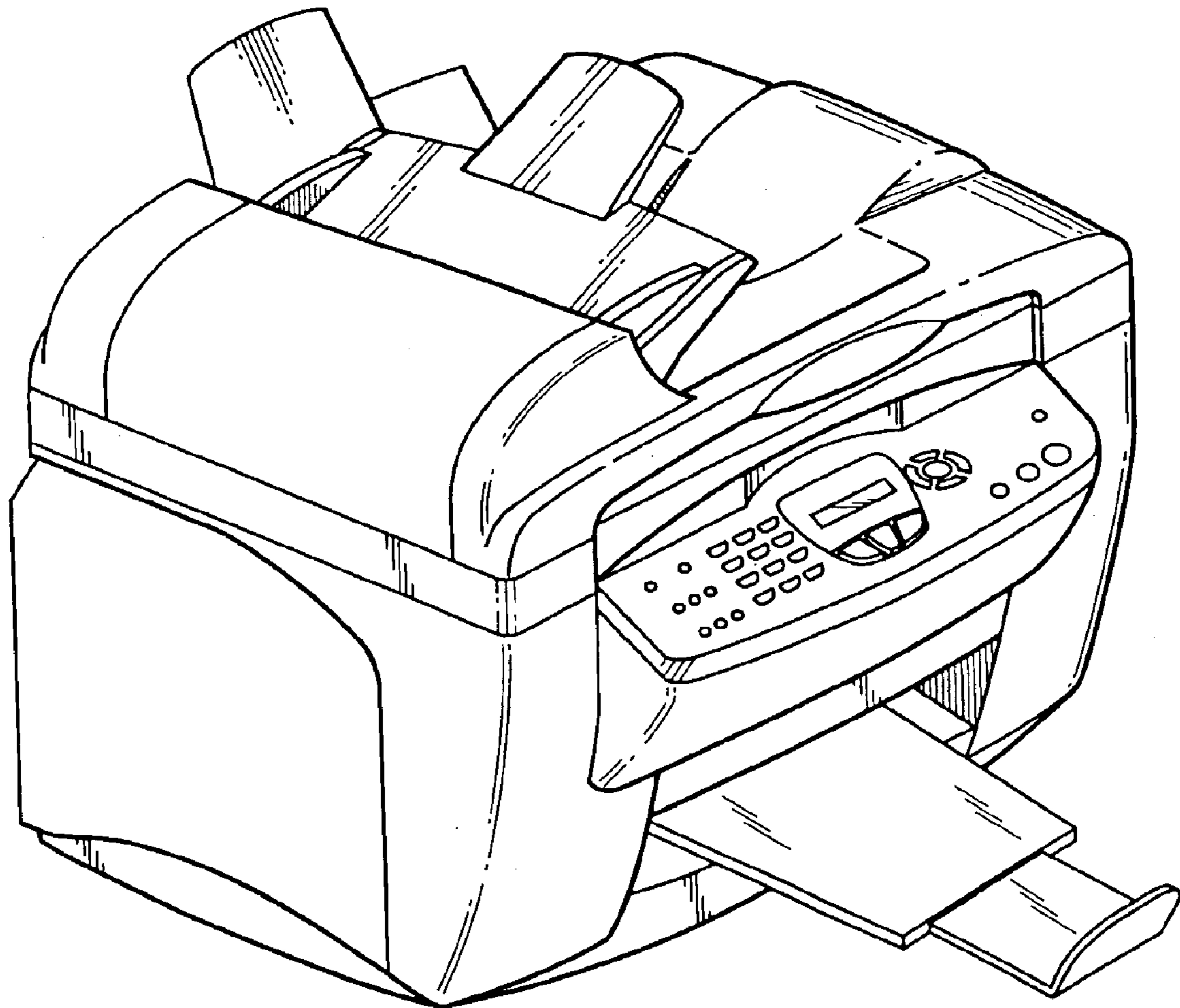


Fig. 7

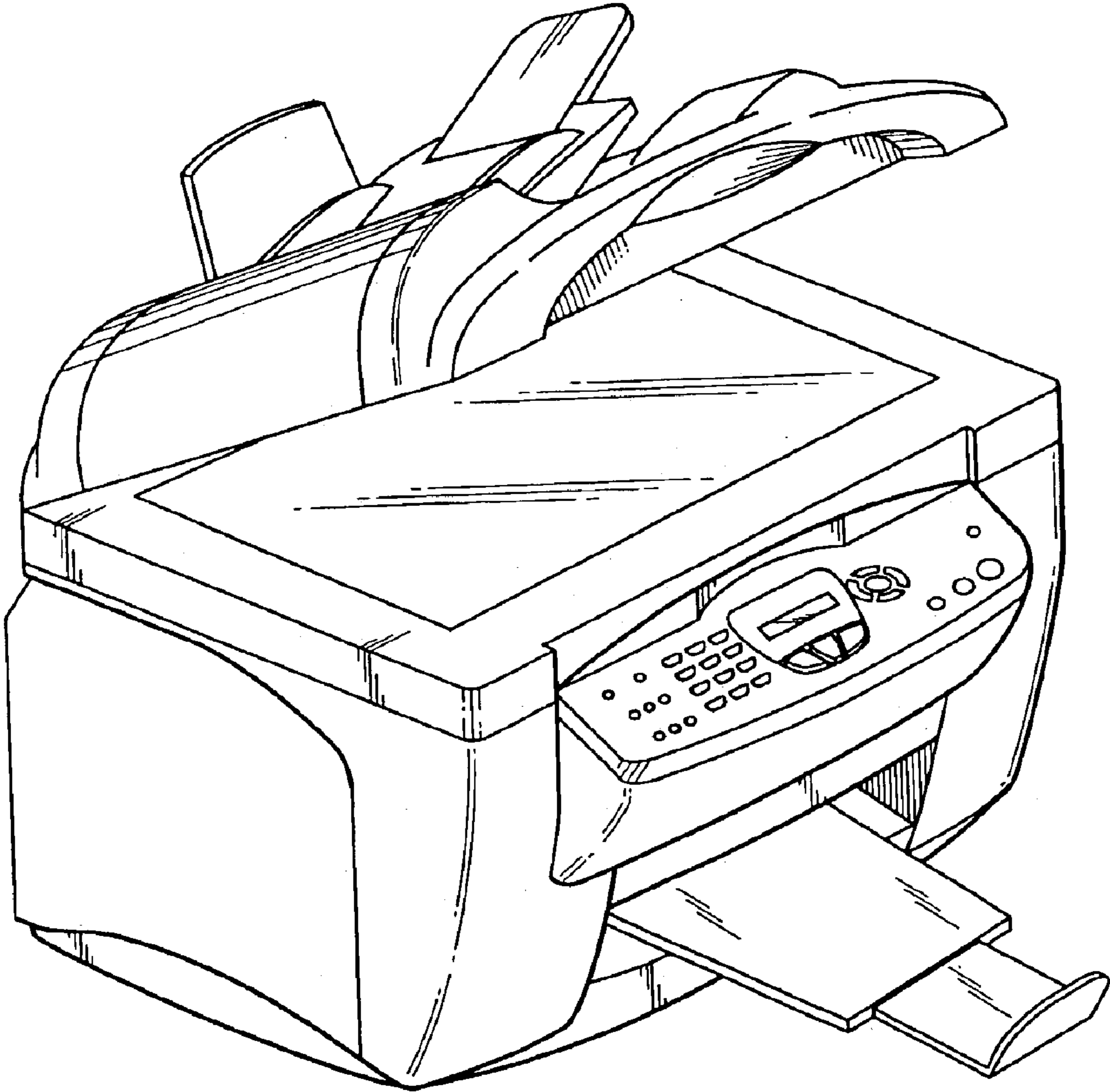


Fig. 8

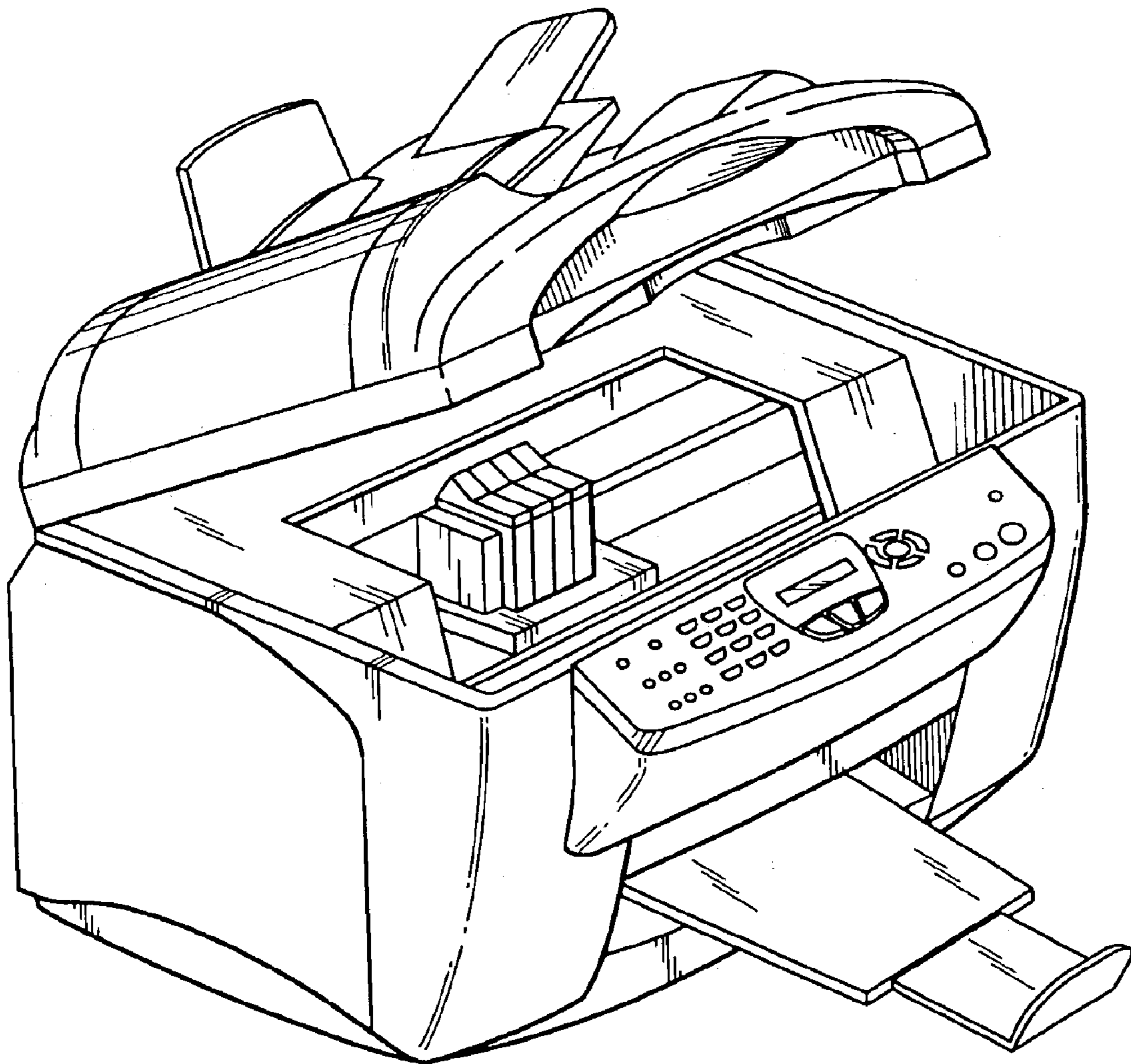


Fig. 9