

US00D501664S

(12) **United States Design Patent** (10) **Patent No.:** **US D501,664 S**
Minamio et al. (45) **Date of Patent:** **** Feb. 8, 2005**

(54) **IMAGE SENSOR**

D430,048 S * 8/2000 Hoofnagle et al. D10/78
D466,119 S * 11/2002 Funahashi et al. D14/384
D487,266 S * 3/2004 Morimiya D14/384

(75) Inventors: **Masanori Minamio**, Takatsuki (JP);
Yoshinobu Kunitomo, Kyoto (JP);
Mutsuo Tshuji, Izumiotsu (JP); **Koichi Yamauchi**, Takatsuki (JP)

FOREIGN PATENT DOCUMENTS

JP D1099195 1/2001
JP D1144893 6/2002

(73) Assignee: **Matsushita Electric Industrial Co., Ltd.**, Osaka (JP)

* cited by examiner

(**) Term: **14 Years**

Primary Examiner—Paula A. Greene

(21) Appl. No.: **29/194,886**

(74) *Attorney, Agent, or Firm*—Brinks Hofer Gilson & Lione

(22) Filed: **Dec. 3, 2003**

(57) **CLAIM**

(30) **Foreign Application Priority Data**

The ornamental design for an image sensor, as shown and described.

Jul. 25, 2003 (JP) 2003-021562

DESCRIPTION

(51) **LOC (7) Cl.** **16-99**

FIG. 1 is a top perspective view of an image sensor of the present invention;

(52) **U.S. Cl.** **D16/130**

FIG. 2 is a top view thereof;

(58) **Field of Search** D16/130, 202,

FIG. 3 is a first side view thereof;

D16/203; D13/158; D14/383, 384, 411,

FIG. 4 is a second side view thereof;

420, 431, 453; D10/78; D21/370, 385;

FIG. 5 is a bottom view thereof;

235/380, 382, 382.5; 356/71, 402; 359/1,

FIG. 6 is a third side view thereof; and,

10, 196, 206, 507; 351/245; 358/401

FIG. 7 is a fourth side view thereof.

(56) **References Cited**

The ornamental design which is claimed is shown in solid lines in the drawings. Any broken lines in the drawings are for illustrative purposes only and form no part of the claimed design.

U.S. PATENT DOCUMENTS

5,646,735 A * 7/1997 Krzyminski 356/402
5,729,334 A * 3/1998 Van Ruyven 356/71
D426,564 S * 6/2000 Rose D16/130

1 Claim, 3 Drawing Sheets

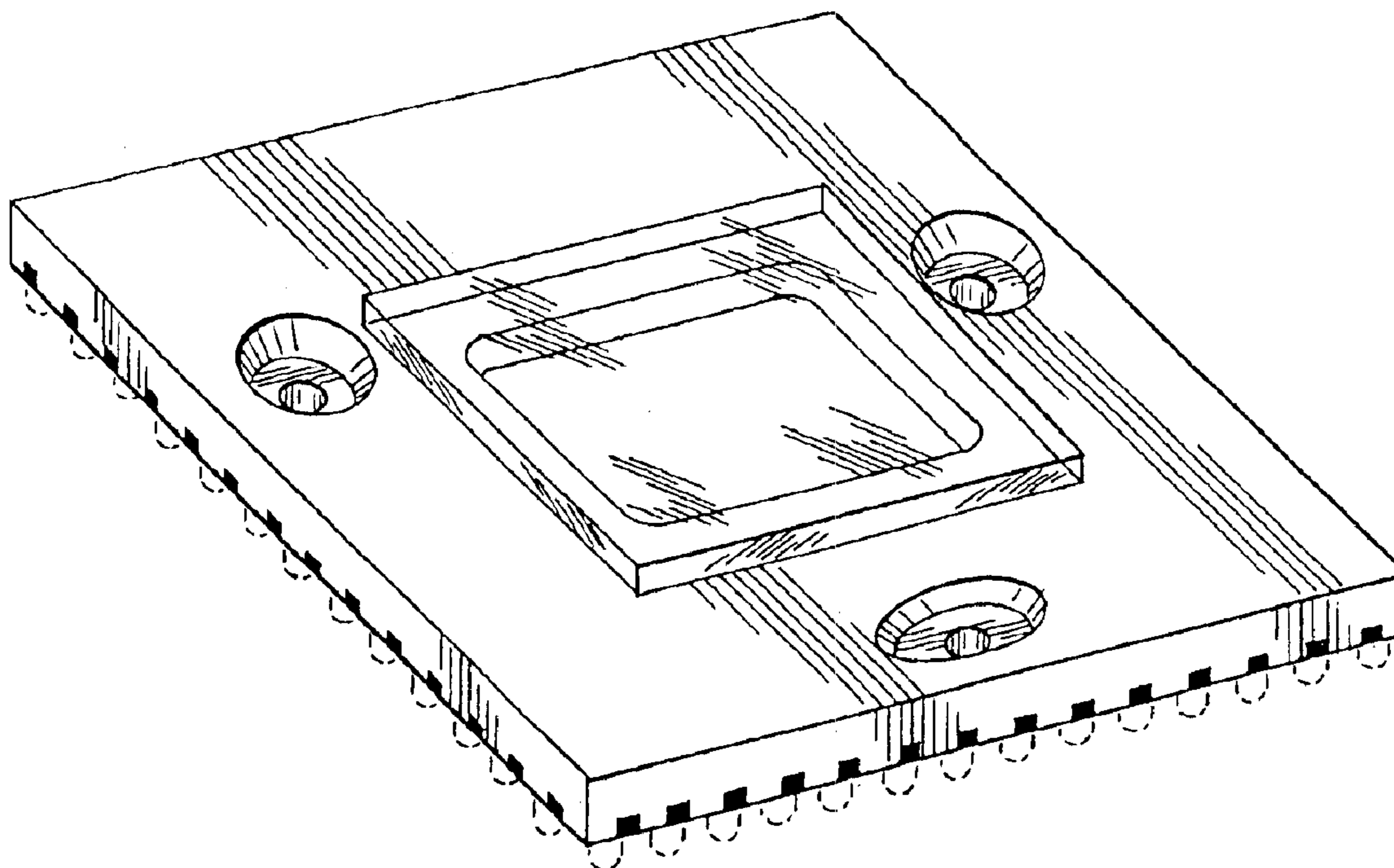


FIG. 1

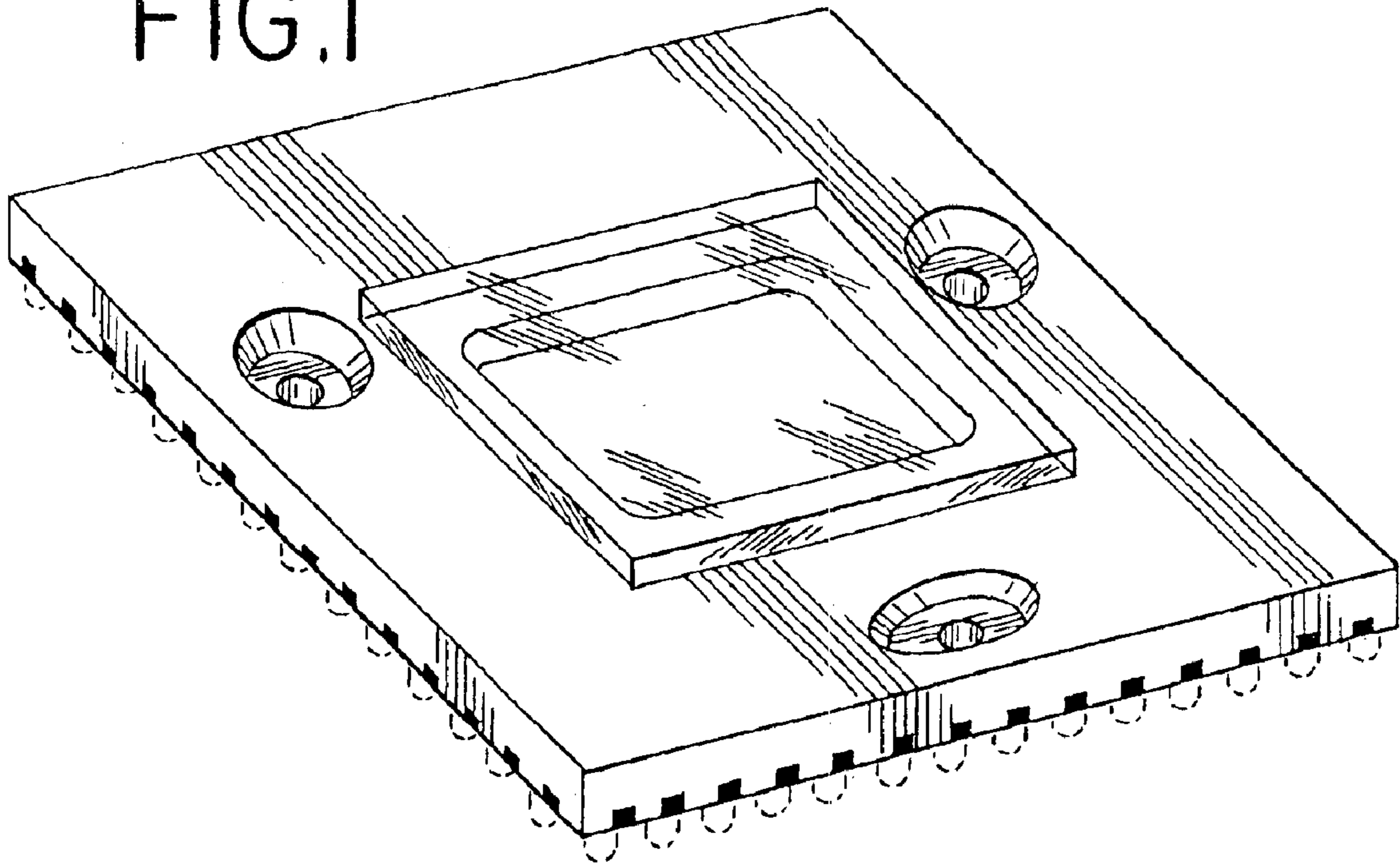


FIG. 2

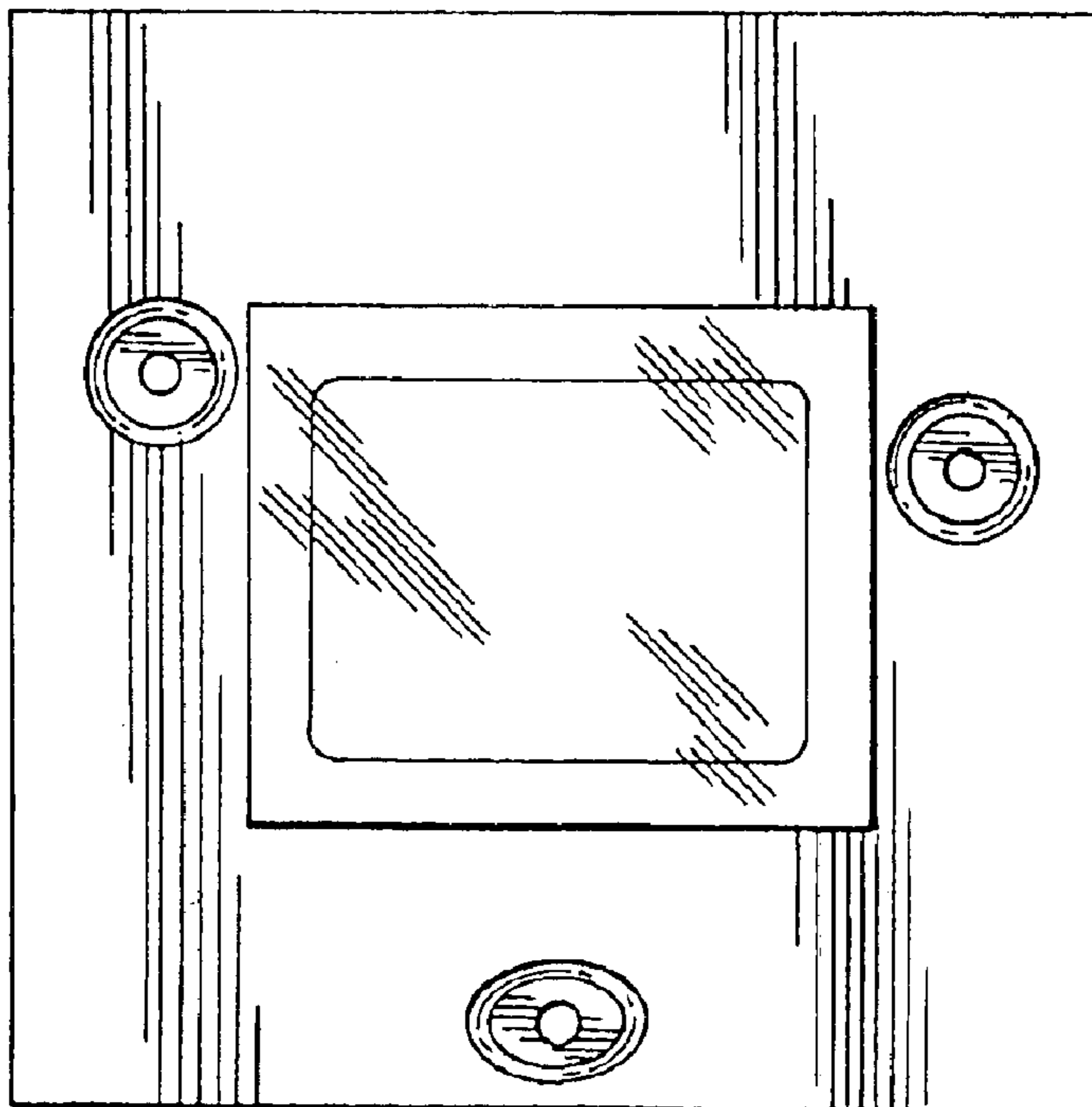


FIG.3



FIG.4

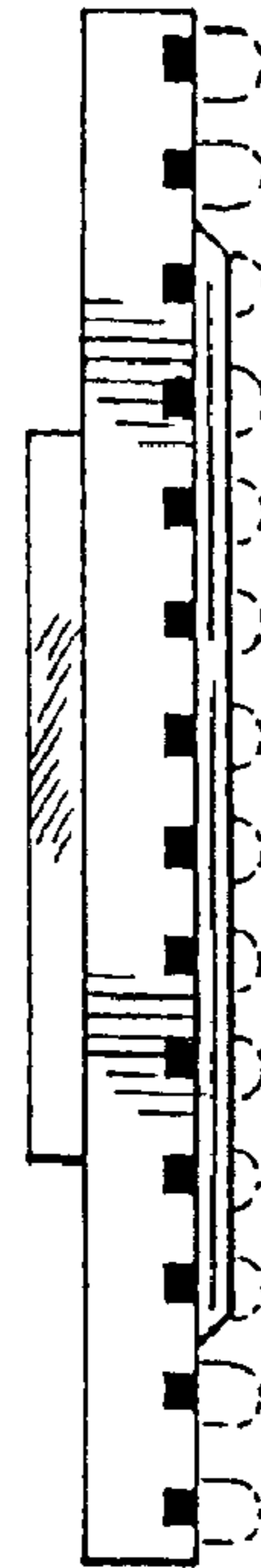


FIG.5

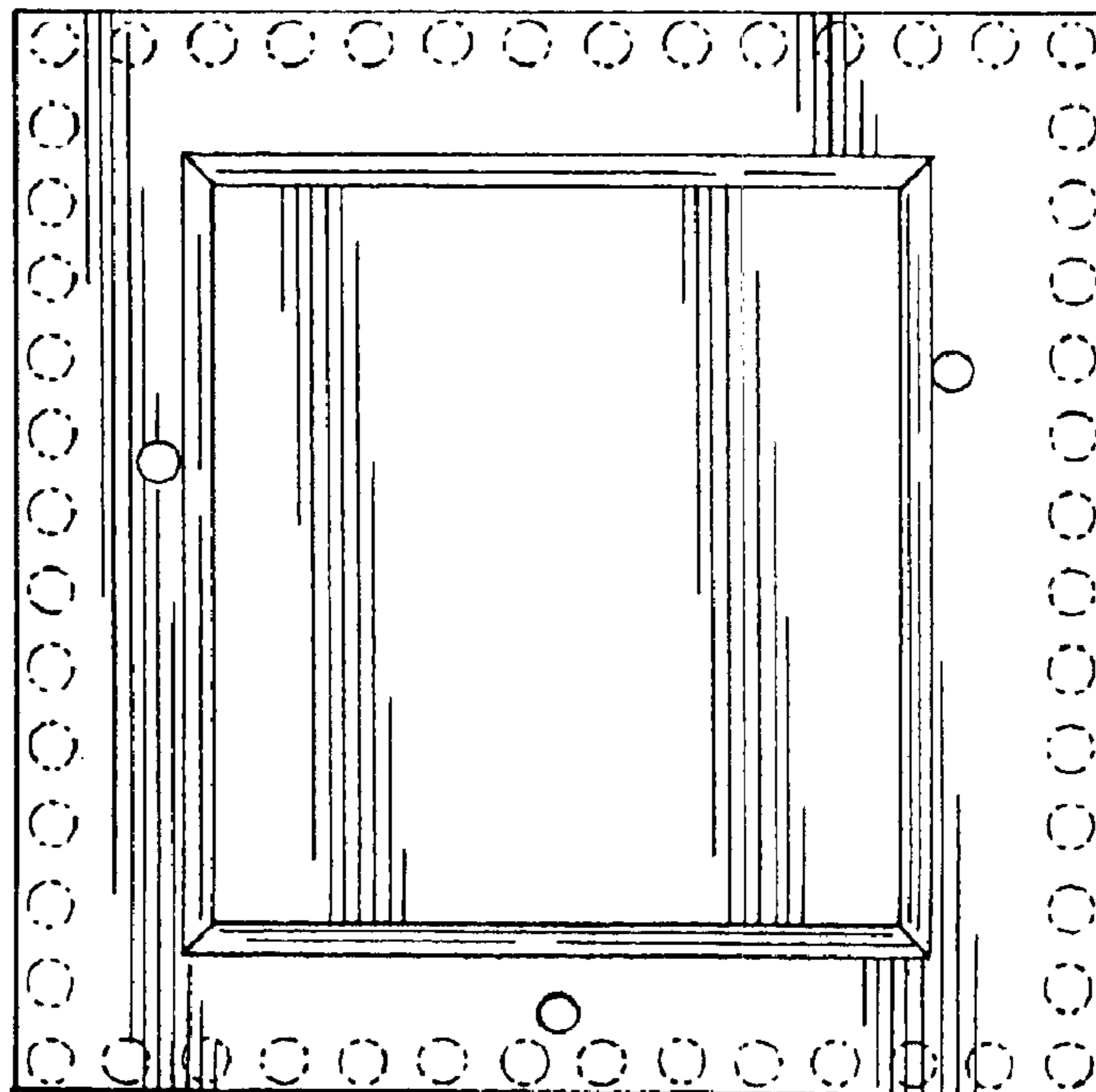


FIG. 6



FIG. 7

