

US00D501656S

(12) **United States Design Patent**  
**Peng**

(10) **Patent No.:** **US D501,656 S**

(45) **Date of Patent:** **\*\* Feb. 8, 2005**

(54) **DVD PLAYER WITH DISPLAY**

(75) **Inventor:** **Juen-Tien Peng, Chung Li (TW)**

(73) **Assignee:** **Action Engineering Co., Ltd., Chung Li (TW)**

(\*\*) **Term:** **14 Years**

(21) **Appl. No.:** **29/199,550**

(22) **Filed:** **Feb. 18, 2004**

(51) **LOC (7) Cl.** ..... **14-03**

(52) **U.S. Cl.** ..... **D14/129**

(58) **Field of Search** ..... D14/125-134,  
D14/239, 371, 374-376; 312/7.2; 348/836,  
838, 180, 184, 325, 739; 341/12; 248/917-924,  
465; 345/104, 133, 156, 168, 87, 173; 720/605,  
669, 600, 655; 369/99, 197; 455/344-347

(56) **References Cited**

**U.S. PATENT DOCUMENTS**

5,265,083	A	*	11/1993	Ishii et al.	.....	720/605
D409,184	S	*	5/1999	Sakamoto et al.	.....	D14/129
D412,900	S	*	8/1999	Utsugi	.....	D14/156
6,014,357	A	*	1/2000	Watanabe et al.	.....	720/655
D443,256	S	*	6/2001	Yoshiyama	.....	D14/129
D445,100	S	*	7/2001	Sawai	.....	D14/136
D447,738	S	*	9/2001	Usami et al.	.....	D14/129
D456,373	S	*	4/2002	Usami et al.	.....	D14/129

D484,472	S	*	12/2003	Isshiki	.....	D14/132
6,772,422	B2	*	8/2004	Yano et al.	.....	720/600
6,792,292	B1	*	9/2004	Chatani	.....	455/566
6,795,377	B2	*	9/2004	Gorden	.....	368/12

**OTHER PUBLICATIONS**

Pioneer Catalog, May, 1999.\*  
Sound and Vision, Jan. 2003.\*  
Hong Kong Electronics, May 2003 and rear cover.\*

\* cited by examiner

*Primary Examiner*—Raphael Barkai

(74) *Attorney, Agent, or Firm*—Rosenberg, Klein & Lee

(57) **CLAIM**

The ornamental design of a DVD player with display, as shown in the accompanying drawings.

**DESCRIPTION**

FIG. 1 is a perspective view of DVD player with display embodying my design.

FIG. 2 is a front elevational view thereof;

FIG. 3 is rear elevational view thereof.

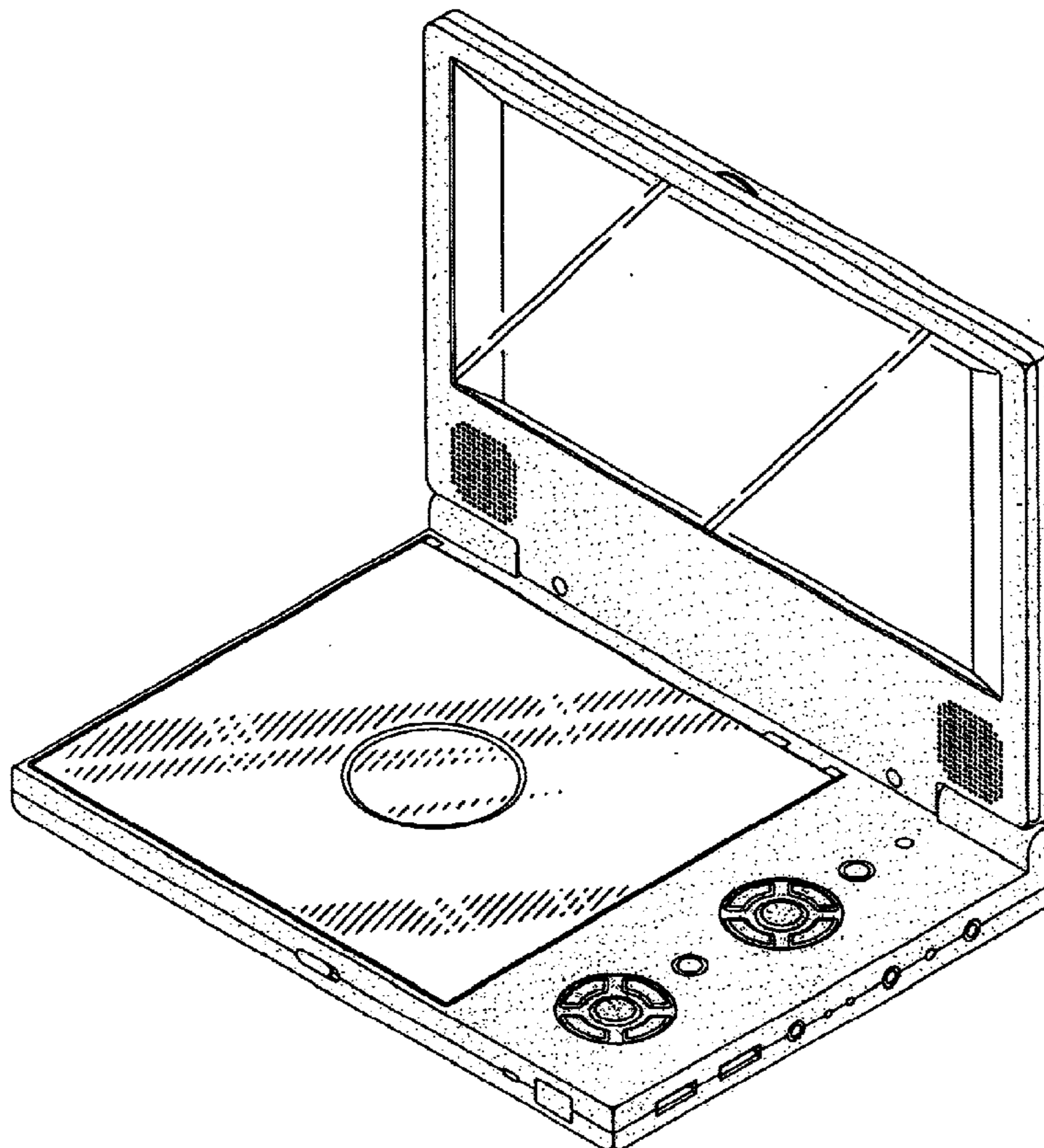
FIG. 4 is left elevational view thereof;

FIG. 5 is a right elevational view thereof;

FIG. 6 is a top view thereof; and,

FIG. 7 is a bottom view thereof.

**1 Claim, 4 Drawing Sheets**



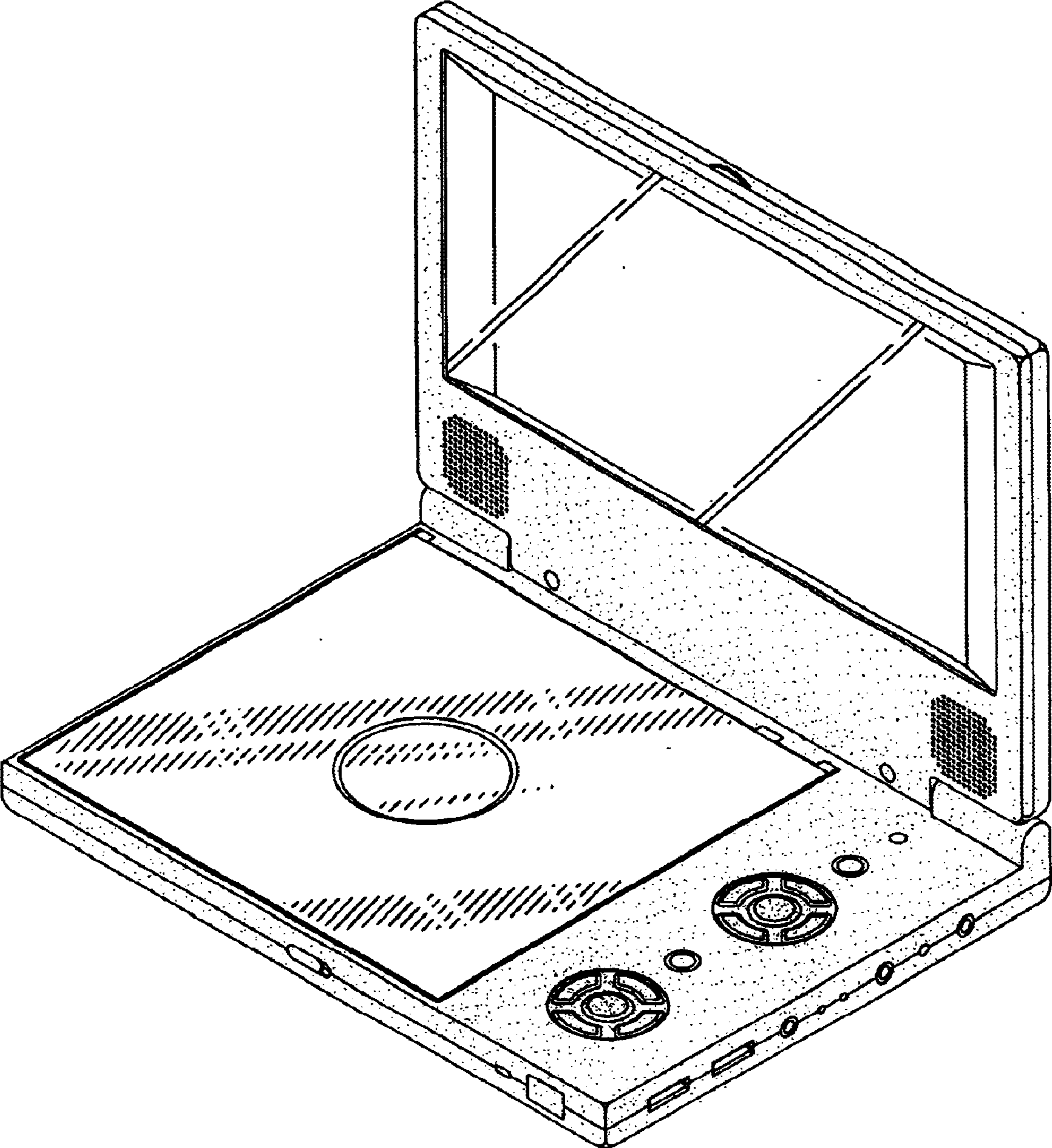


FIG. 1

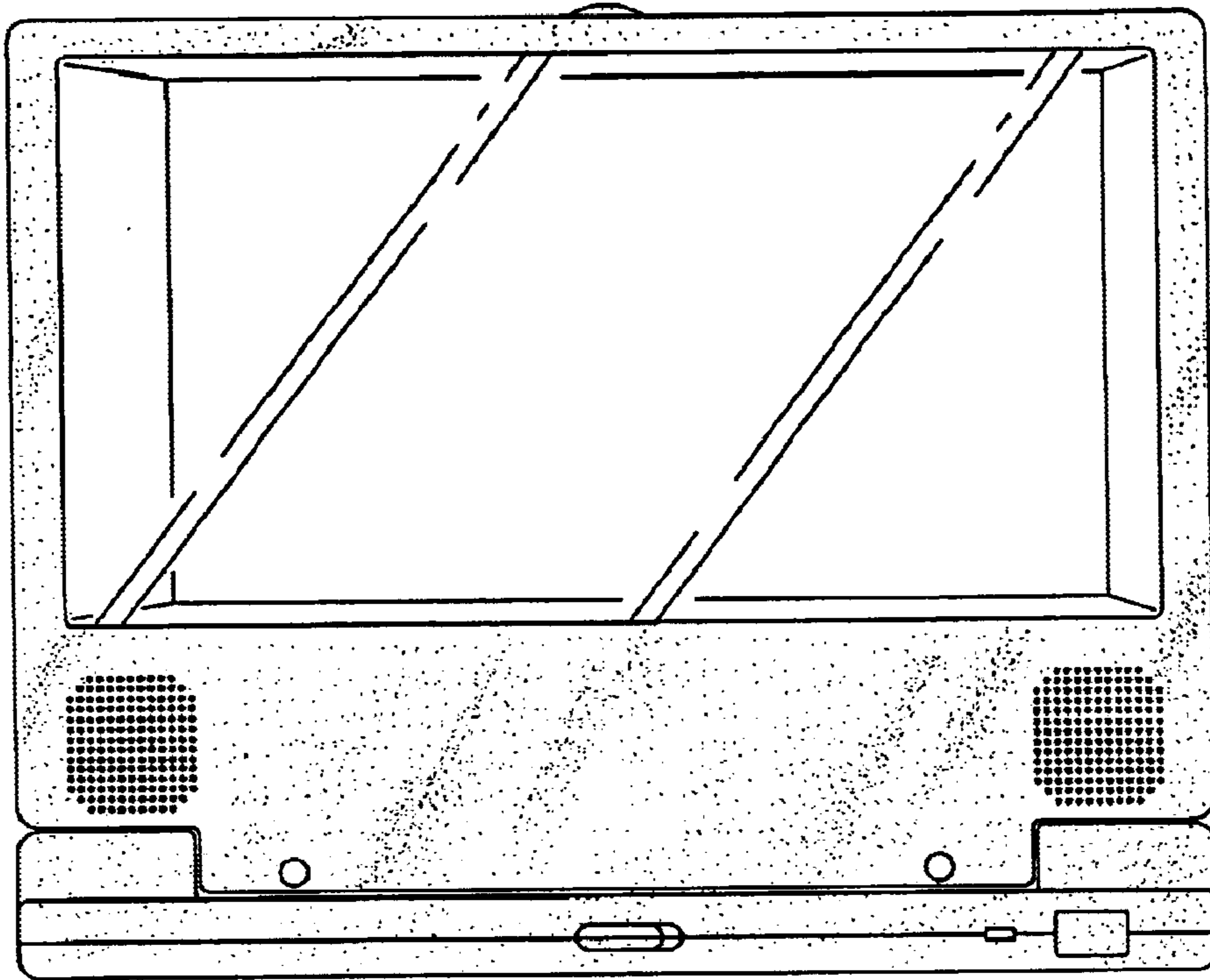


FIG. 2

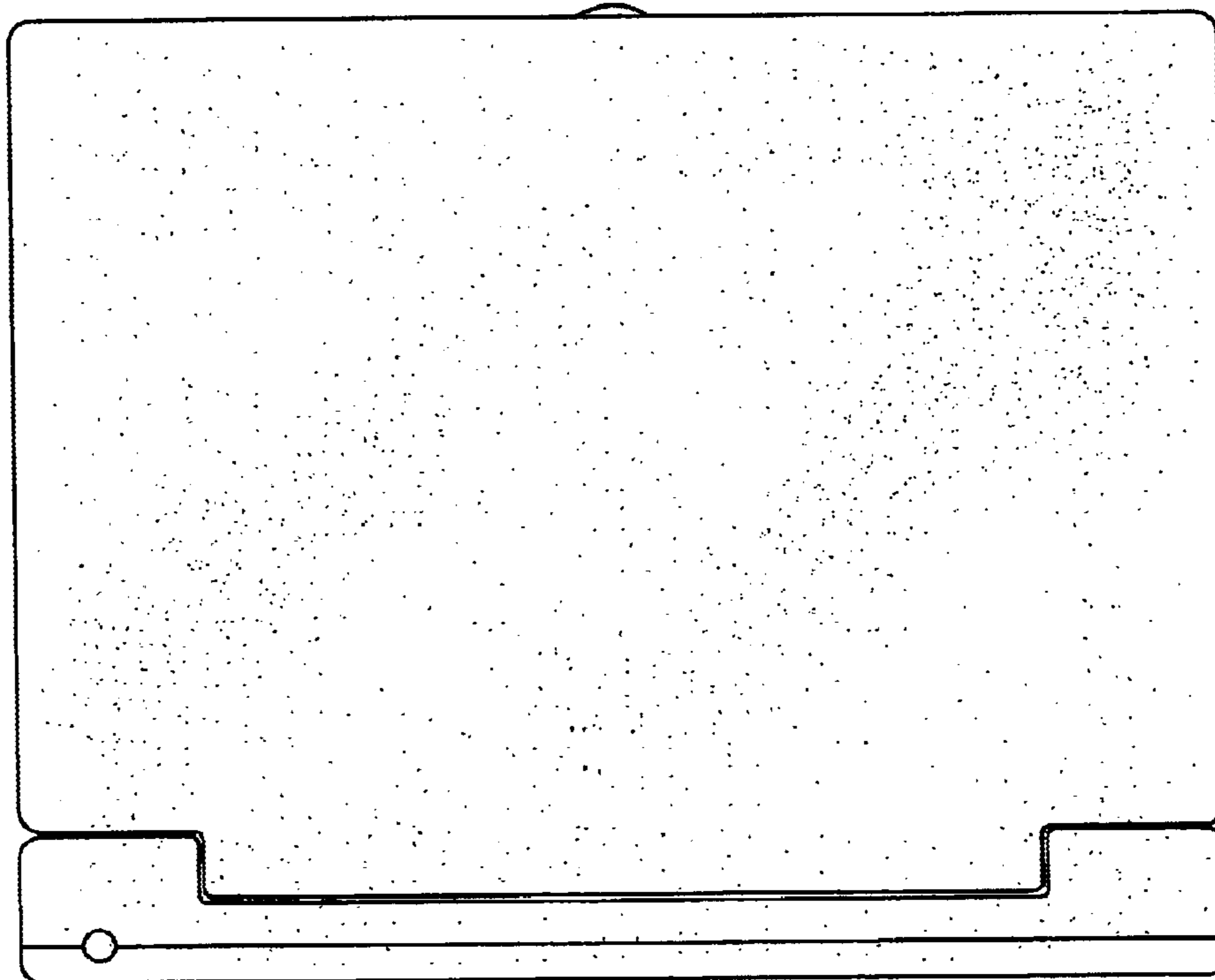
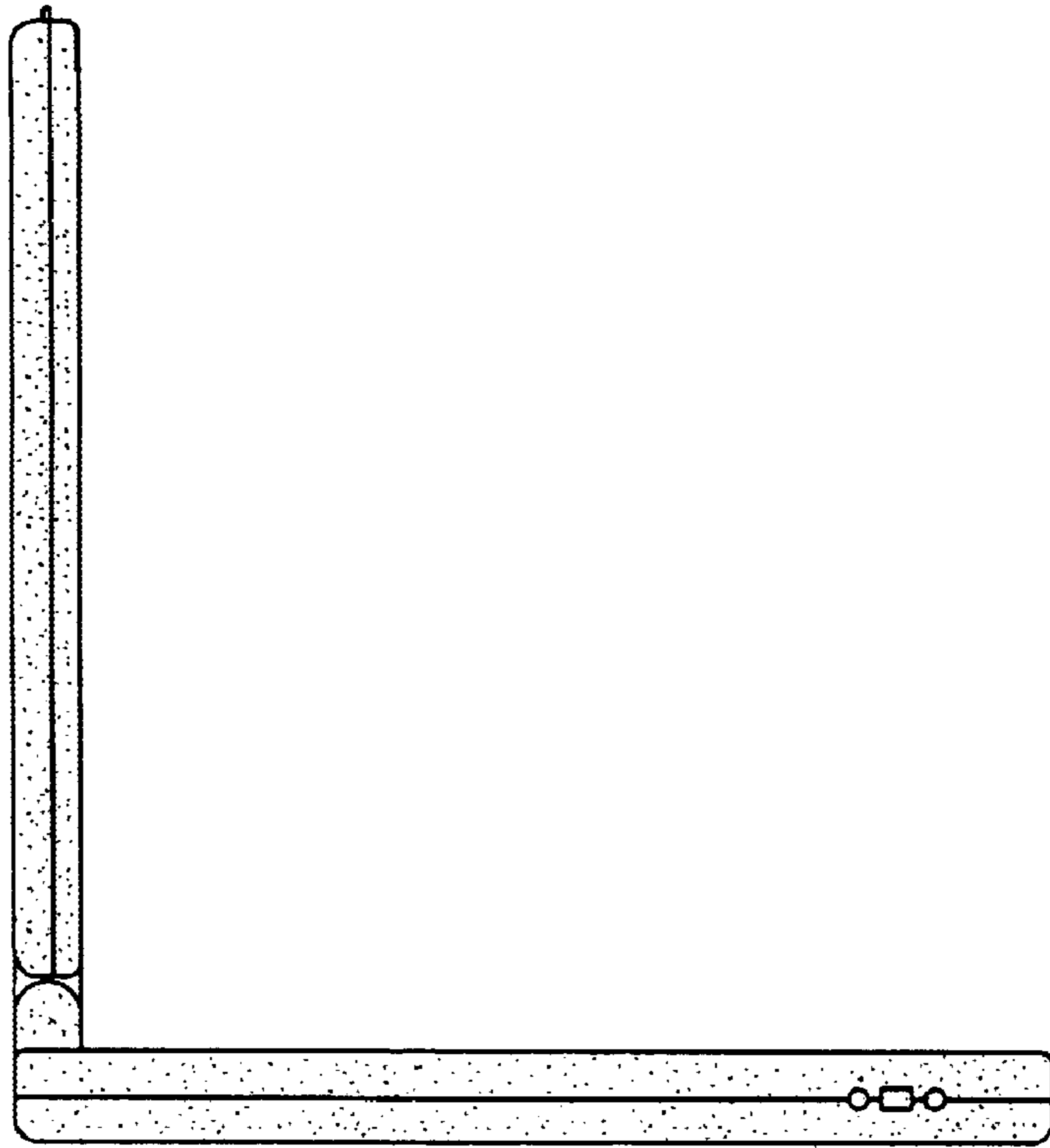
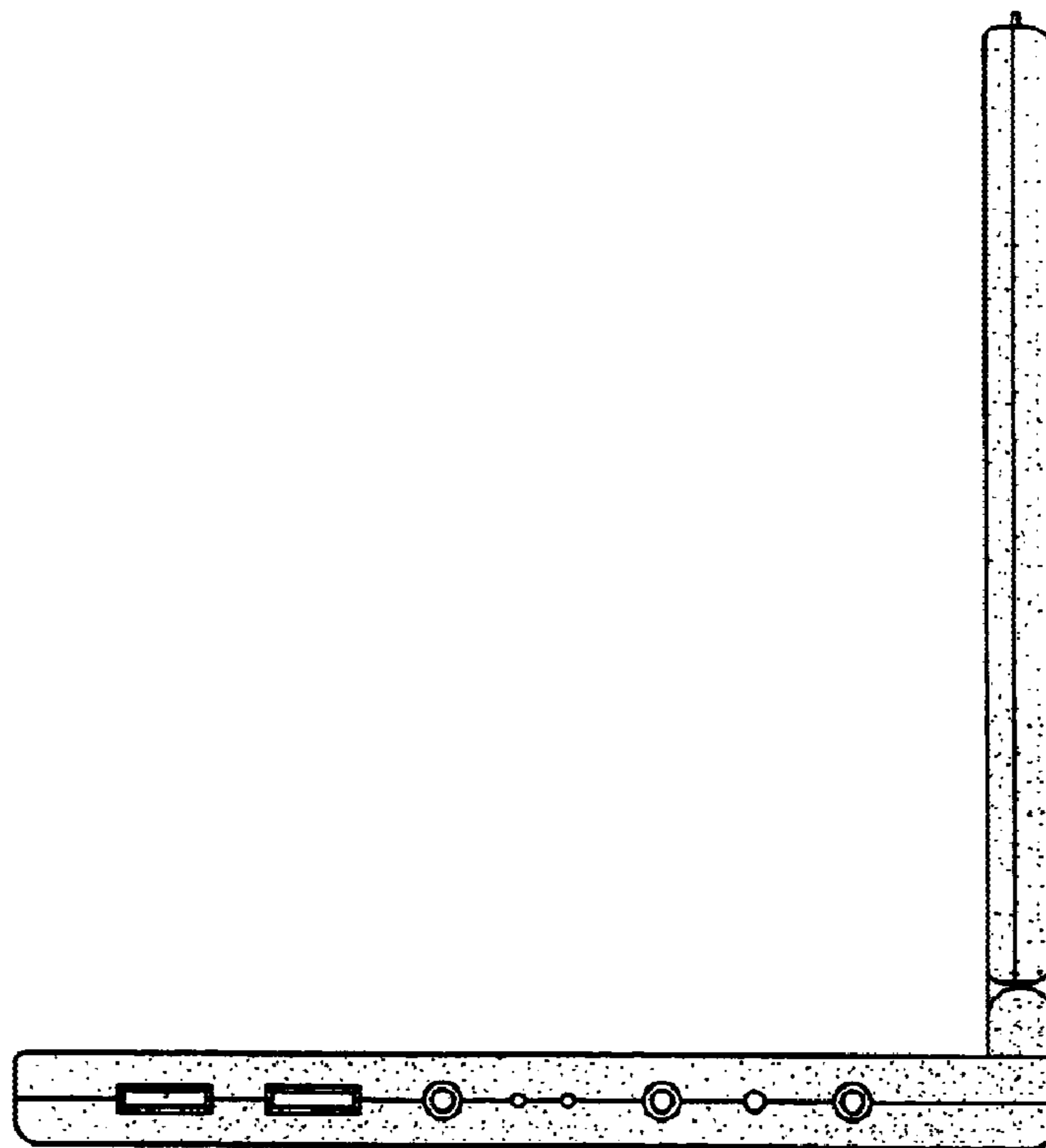


FIG. 3





*FIG. 4*



*FIG. 5*

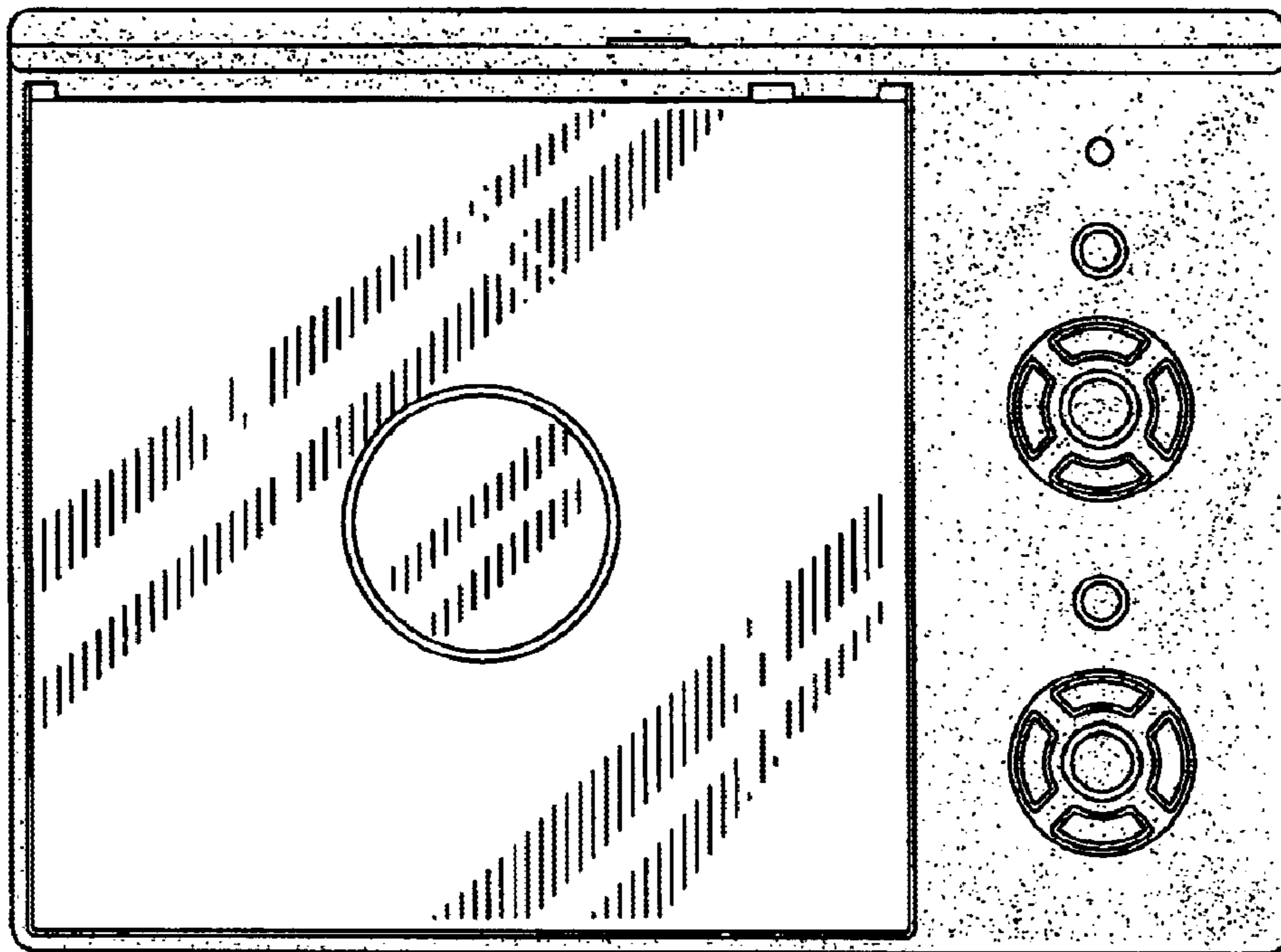


FIG. 6

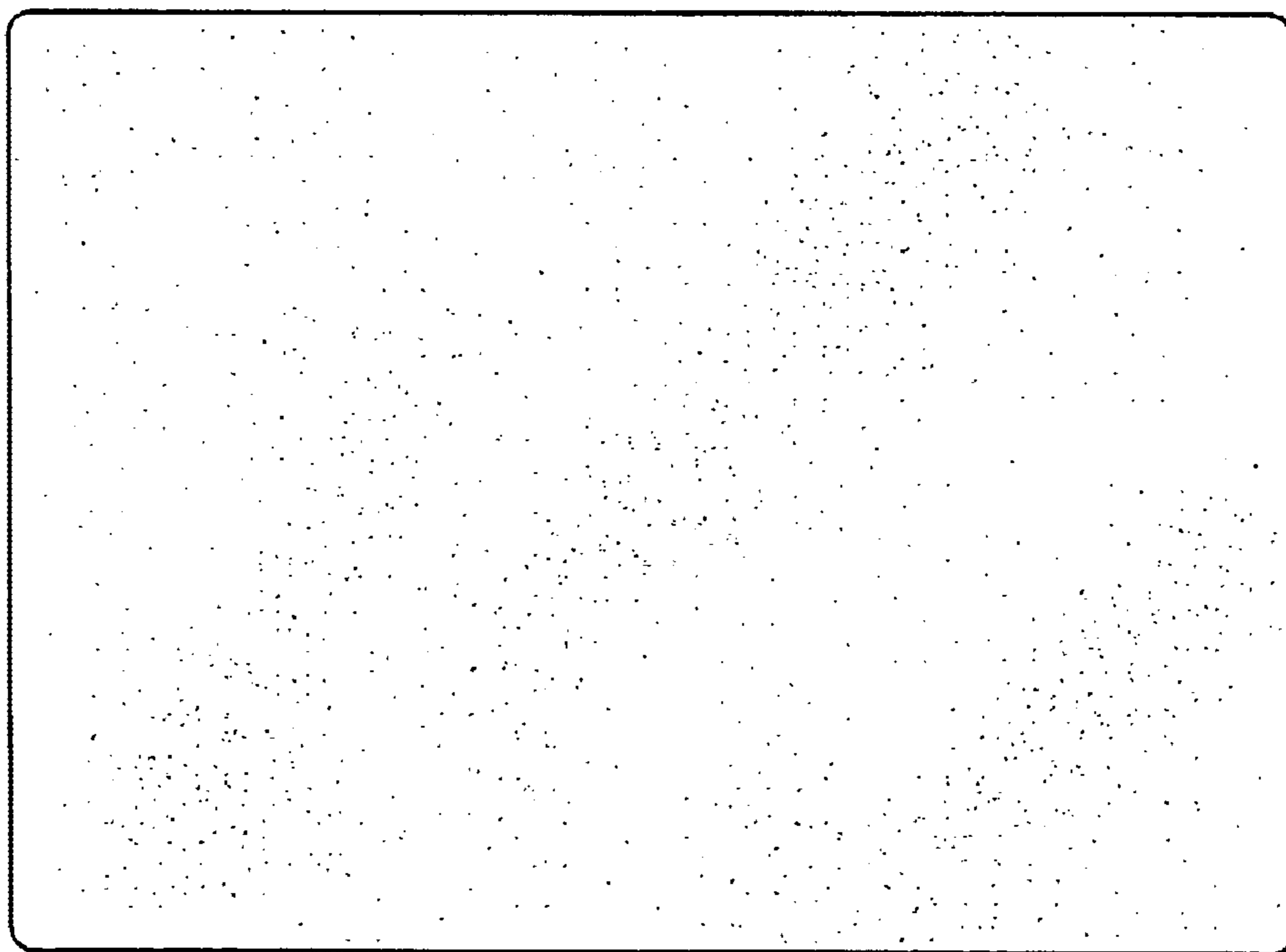


FIG. 7

UNITED STATES PATENT AND TRADEMARK OFFICE  
**CERTIFICATE OF CORRECTION**

PATENT NO. : Des. 501,656 S  
DATED : February 8, 2005  
INVENTOR(S) : Juen-Tien Peng

Page 1 of 1

It is certified that error appears in the above-identified patent and that said Letters Patent is hereby corrected as shown below:

Title page,

Item [73], Assignee, delete “**Action Engineering Co., Ltd.**” and insert -- **Action Electronics Co., Ltd.** --

Signed and Sealed this

Twenty-sixth Day of April, 2005

A handwritten signature in black ink on a light gray dotted background. The signature reads "Jon W. Dudas" in a cursive style.

JON W. DUDAS

*Director of the United States Patent and Trademark Office*