

US00D501654S

(12) **United States Design Patent**
Kita

(10) **Patent No.:** **US D501,654 S**
(45) **Date of Patent:** **** Feb. 8, 2005**

- (54) **TELEVISION SET**
- (75) **Inventor:** **Toshiyuki Kita**, Osaka-fu (JP)
- (73) **Assignee:** **Sharp Kabushiki Kaisha**, Osaka (JP)
- (**) **Term:** **14 Years**
- (21) **Appl. No.:** **29/201,663**
- (22) **Filed:** **Mar. 19, 2004**
- (51) **LOC (7) Cl.** **14-03**
- (52) **U.S. Cl.** **D14/126; D14/134**
- (58) **Field of Search** **D14/125-134,**
D14/239, 371, 374-376; 312/7.2; 348/836,
838, 180, 184, 325, 739; 341/12; 248/917-924;
345/104, 133, 156, 168, 87, 173

- D431,537 S 10/2000 Saeki et al.
- D432,101 S * 10/2000 Oba D14/126
- D438,848 S 3/2001 Kita
- D439,224 S 3/2001 Kita
- D439,225 S 3/2001 Kita
- D453,747 S 2/2002 Kita
- D453,748 S 2/2002 Kita
- D456,370 S 4/2002 Kita
- D458,910 S 6/2002 Kita

OTHER PUBLICATIONS

U.S. Appl. No. 29/193,998, filed Nov. 2003, Kita.
U.S. Appl. No. 29/194,701, filed Dec. 2003, Kita.

* cited by examiner

Primary Examiner—Raphael Barkai
(74) *Attorney, Agent, or Firm*—Nixon & Vanderhye

(56) **References Cited**
U.S. PATENT DOCUMENTS

- D336,645 S 6/1993 Saito et al.
- D337,113 S 7/1993 Saito et al.
- D342,497 S 12/1993 Saito et al.
- D342,501 S 12/1993 Saeki et al.
- D342,509 S 12/1993 Saito et al.
- D351,155 S 10/1994 Usami et al.
- D351,156 S 10/1994 Usami et al.
- D357,244 S 4/1995 Usami et al.
- D357,245 S 4/1995 Usami et al.
- D357,472 S 4/1995 Usami et al.
- D369,596 S 5/1996 Akiyama et al.
- D372,026 S 7/1996 Akiyama et al.
- D373,583 S 9/1996 Akiyama et al.
- D427,169 S 6/2000 Saeki et al.
- D429,227 S 8/2000 Shimizu

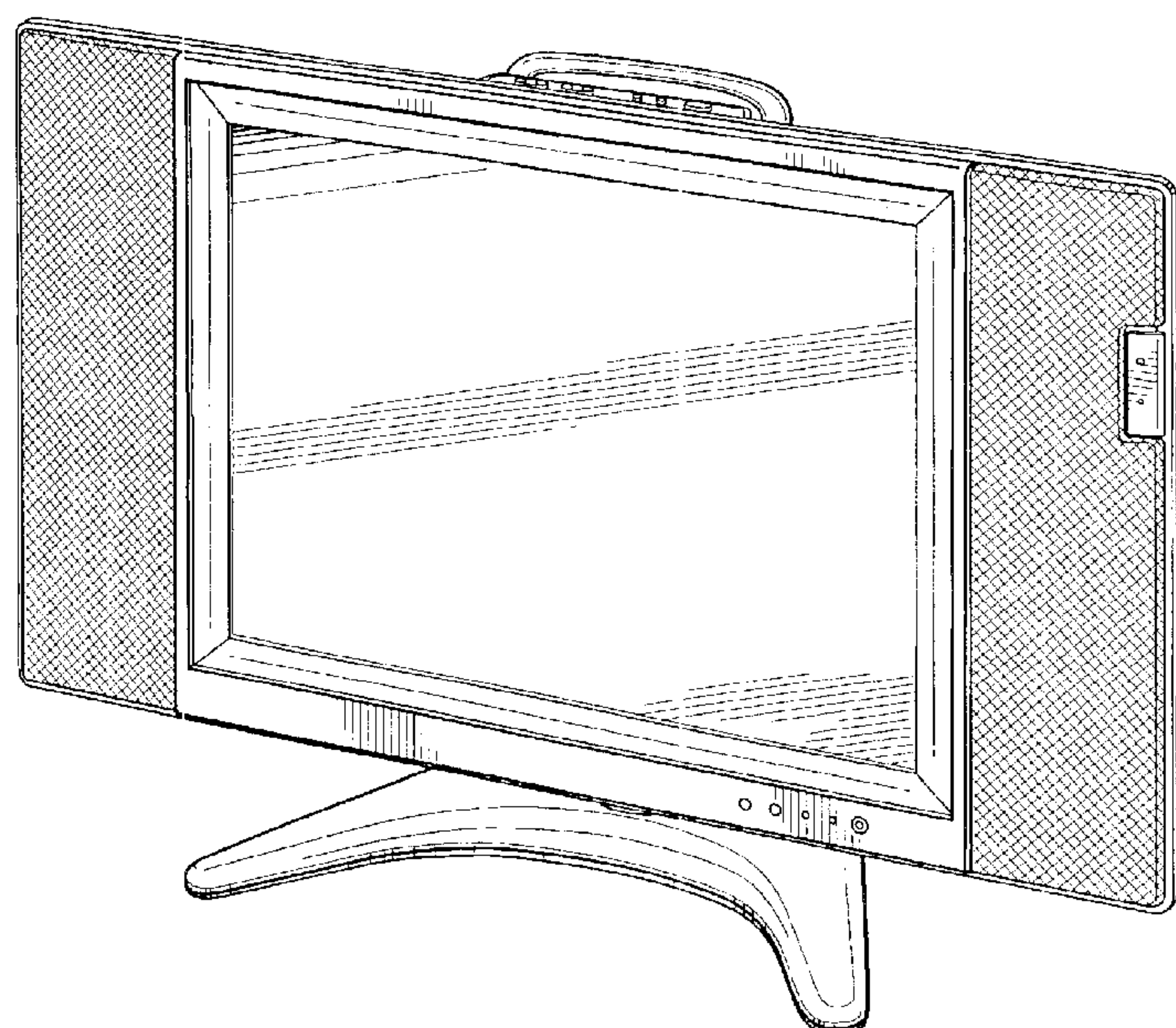
(57) **CLAIM**

The ornamental design for a “television set,” as shown and described.

DESCRIPTION

FIG. 1 is a top front and right side perspective view of a television set according to my design;
FIG. 2 is a front elevational view thereof;
FIG. 3 is a rear elevational view thereof;
FIG. 4 is a top plan view thereof;
FIG. 5 is a bottom plan view thereof;
FIG. 6 is a right side elevational view thereof;
FIG. 7 is a left side elevational view thereof; and,
FIG. 8 is a top rear and right side perspective view thereof.

1 Claim, 6 Drawing Sheets



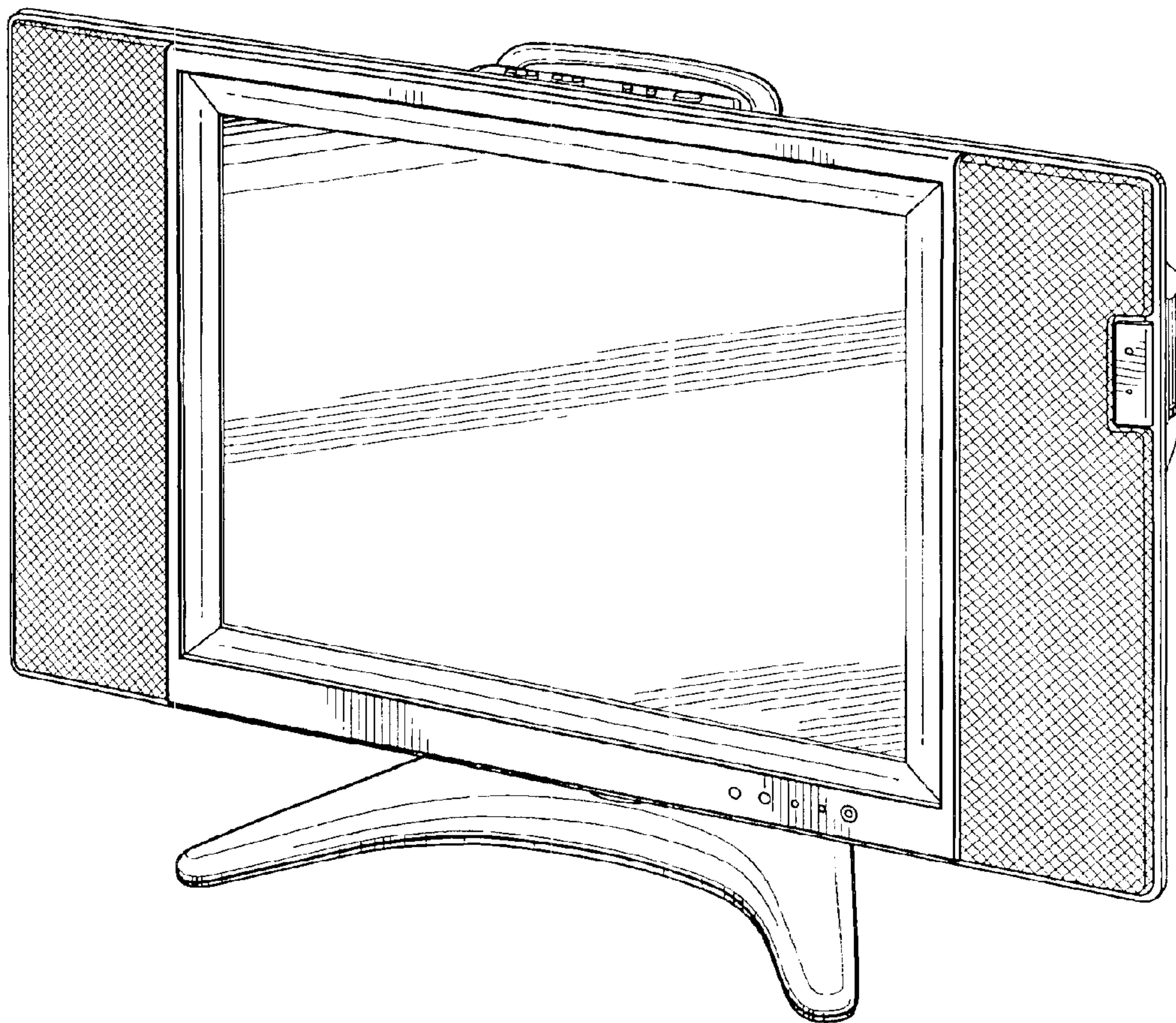


Fig. 1

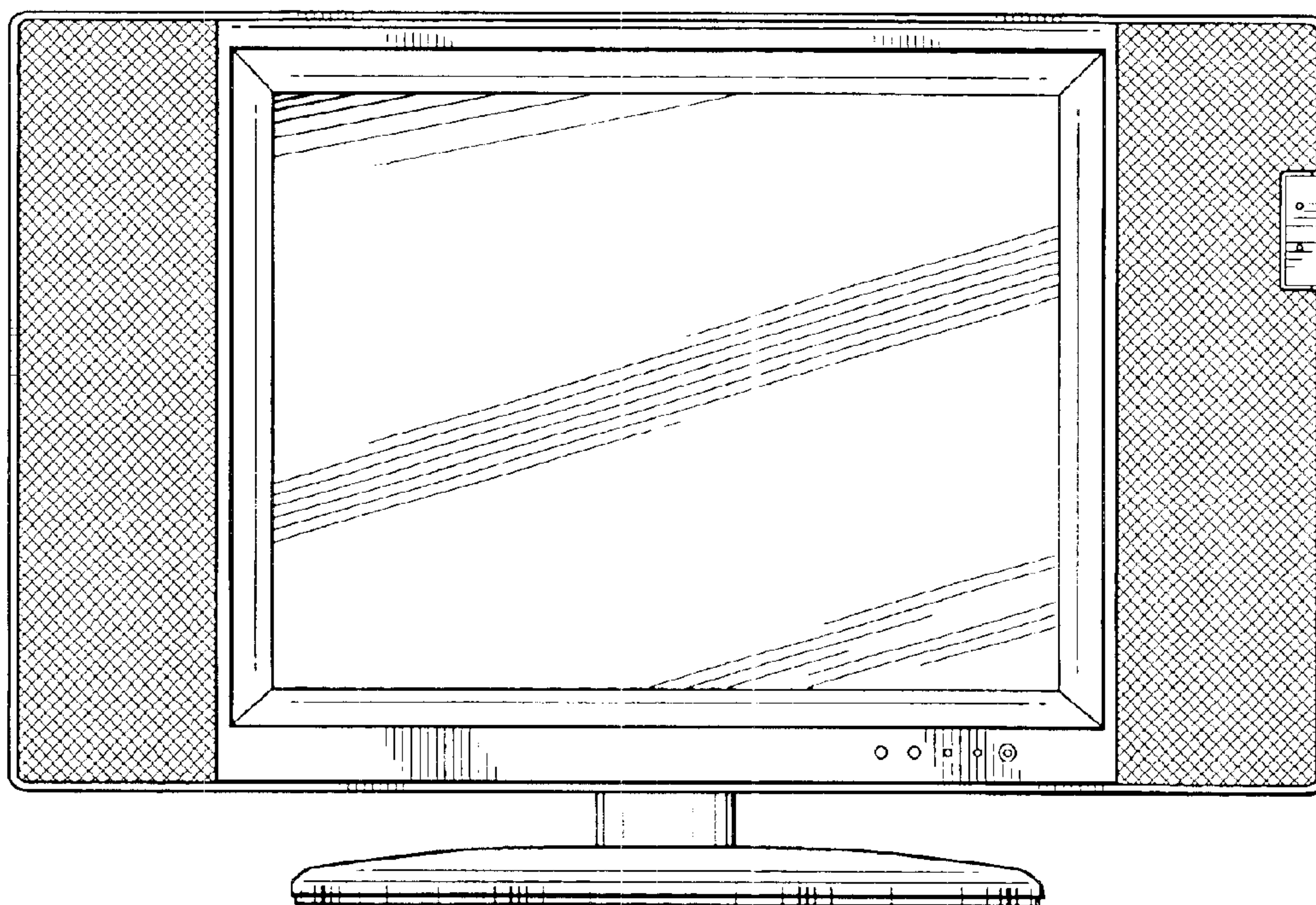


Fig. 2

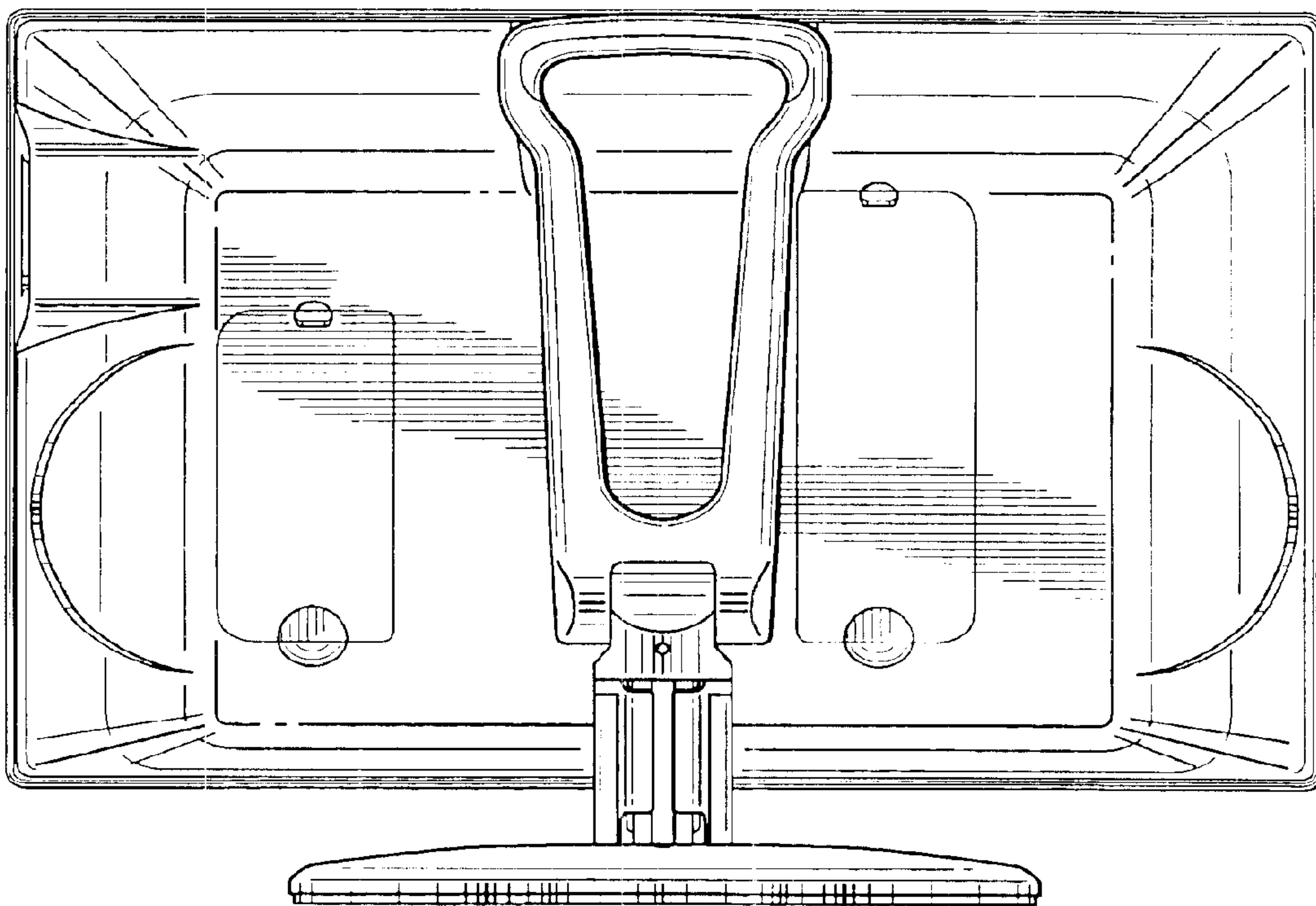


Fig. 3

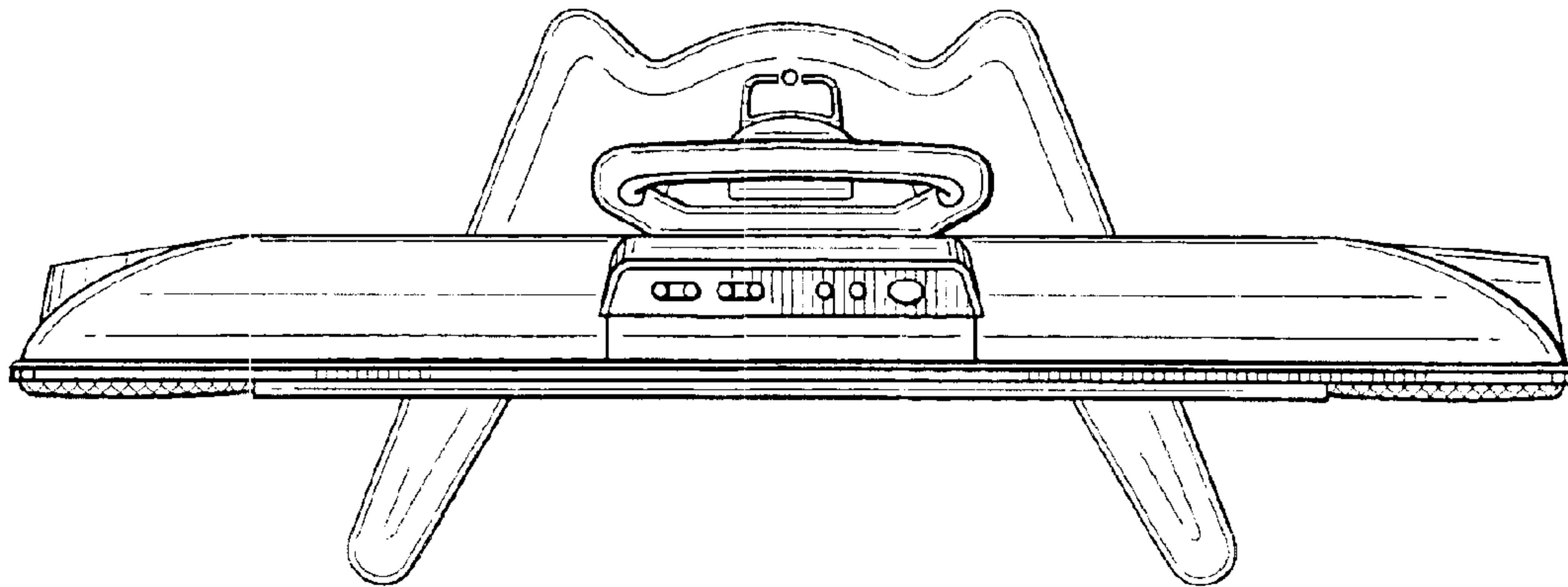


Fig. 4

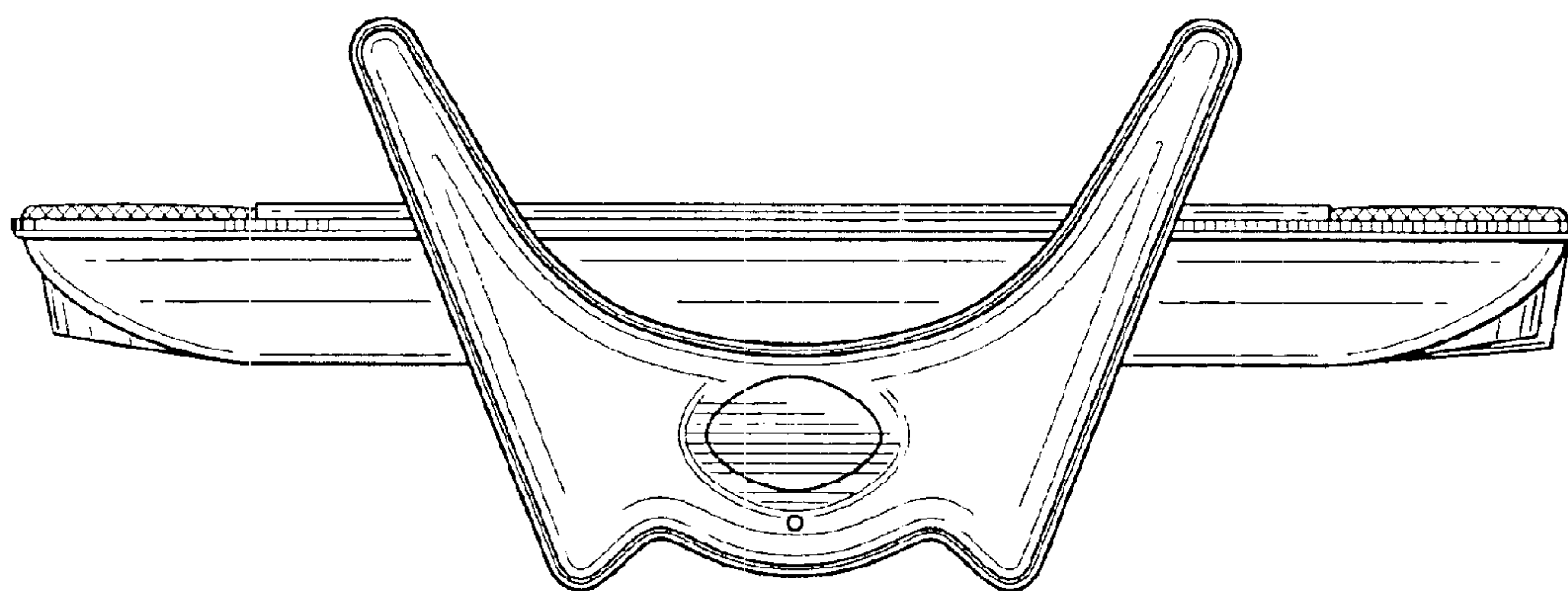


Fig. 5

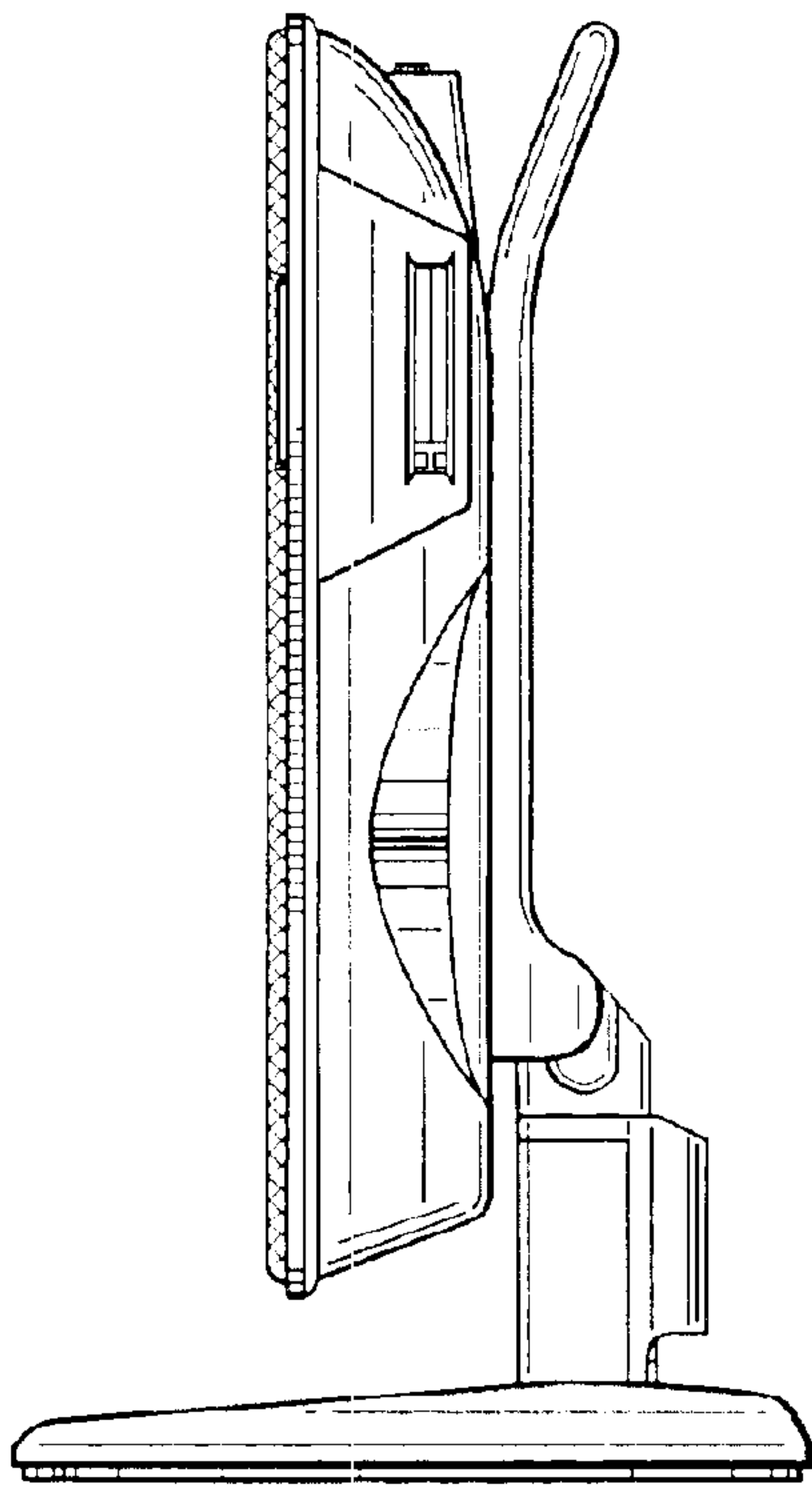


Fig. 6

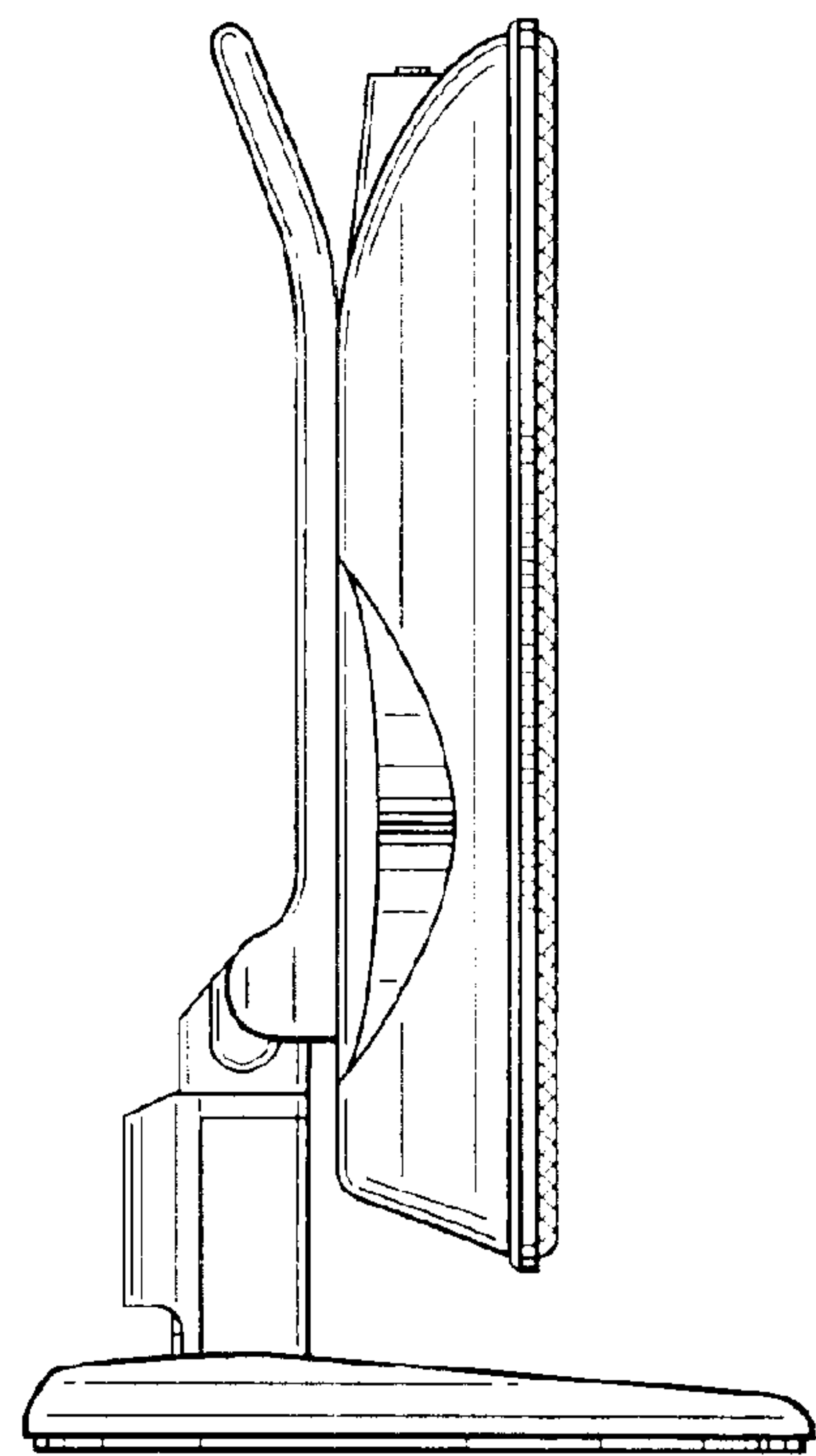


Fig. 7

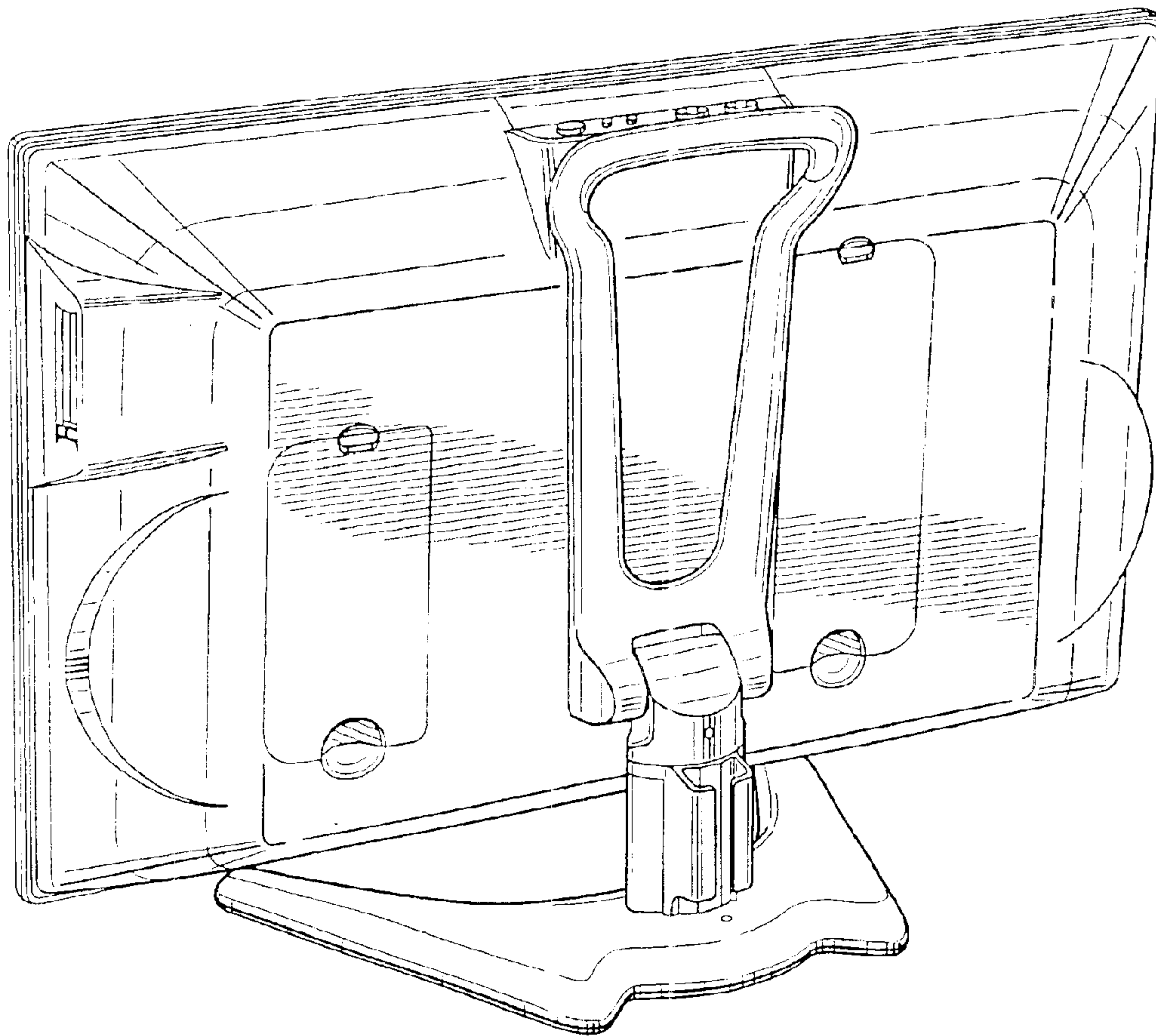


Fig. 8