

US00D501653S

(12) **United States Design Patent**
Lewis

(10) **Patent No.:** **US D501,653 S**

(45) **Date of Patent:** **** Feb. 8, 2005**

(54) **TELEVISION**

(75) **Inventor:** **David Lewis, Copenhagen K (DK)**

(73) **Assignee:** **Bang & Olufsen A/S, Struer (DK)**

(**) **Term:** **14 Years**

(21) **Appl. No.:** **29/181,257**

(22) **Filed:** **May 7, 2003**

(30) **Foreign Application Priority Data**

Jan. 22, 2003 (DK) DA 2003 00043

(51) **LOC (7) Cl.** **14-03**

(52) **U.S. Cl.** **D14/126**

(58) **Field of Search** D14/125-136,
D14/239, 371, 374, 375, 379, 380, 337;
312/7.2; 348/836, 838, 180, 184, 325, 739;
248/917-924; 349/1, 2, 11, 62

(56) **References Cited**

U.S. PATENT DOCUMENTS

D355,648 S * 2/1995 Gale et al. D14/374

D355,649 S * 2/1995 Gale et al. D14/375

D373,120 S * 8/1996 Andre et al. D14/380

D397,324 S * 8/1998 Minemoto et al. D14/337

D408,416 S * 4/1999 Fenner et al. D14/239

D421,747 S * 3/2000 Takizawa D14/375

D427,169 S * 6/2000 Saeki et al. D14/126

D471,883 S * 3/2003 Sugiyama et al. D14/126

* cited by examiner

Primary Examiner—Raphael Barkai

(57) **CLAIM**

I claim the ornamental design for a television, as shown and described.

DESCRIPTION

FIG. 1 is a front perspective view of the new television of the present invention.

FIG. 2 is a rear view thereof.

FIG. 3 is a left side view thereof.

FIG. 4 is a front view thereof.

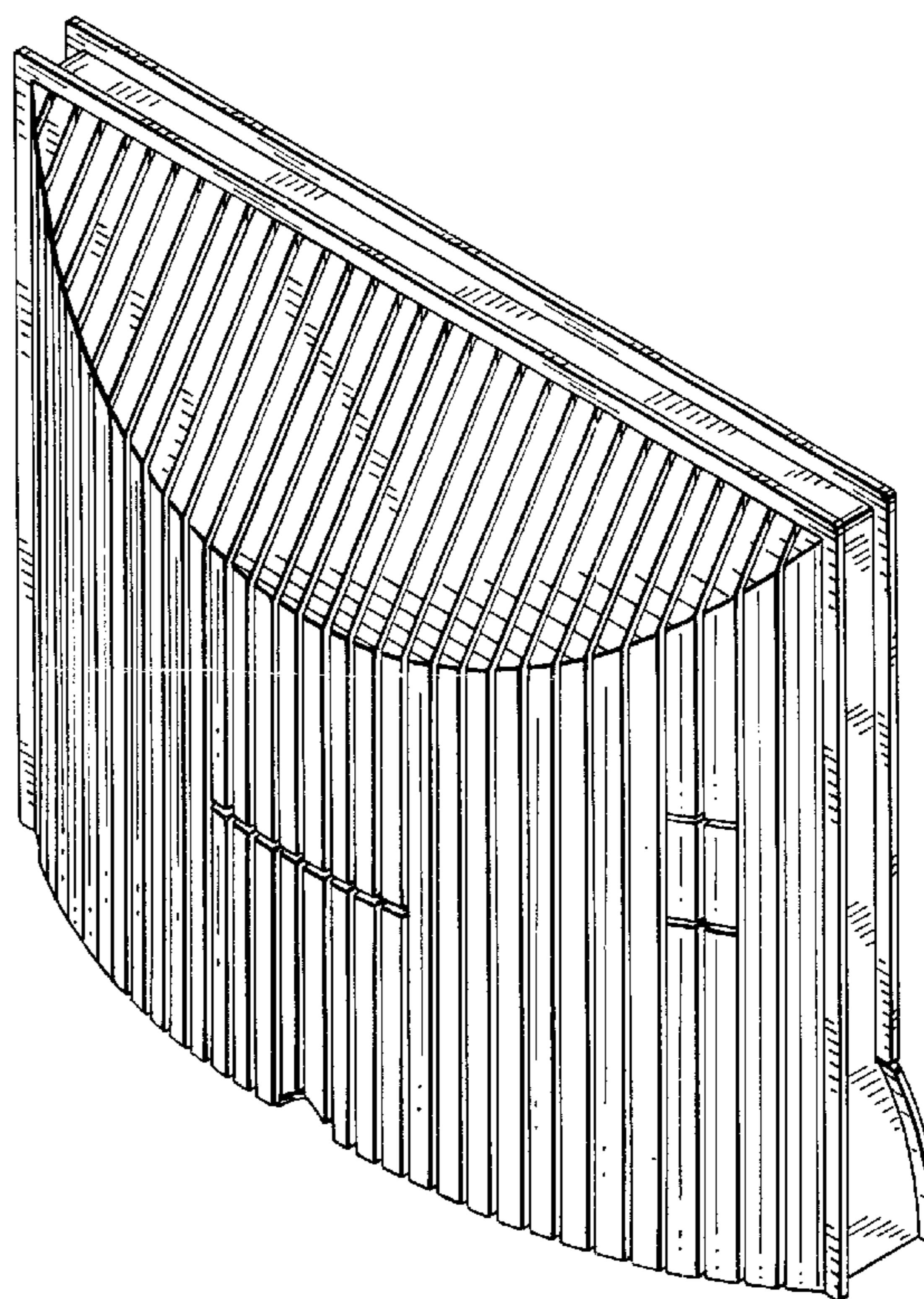
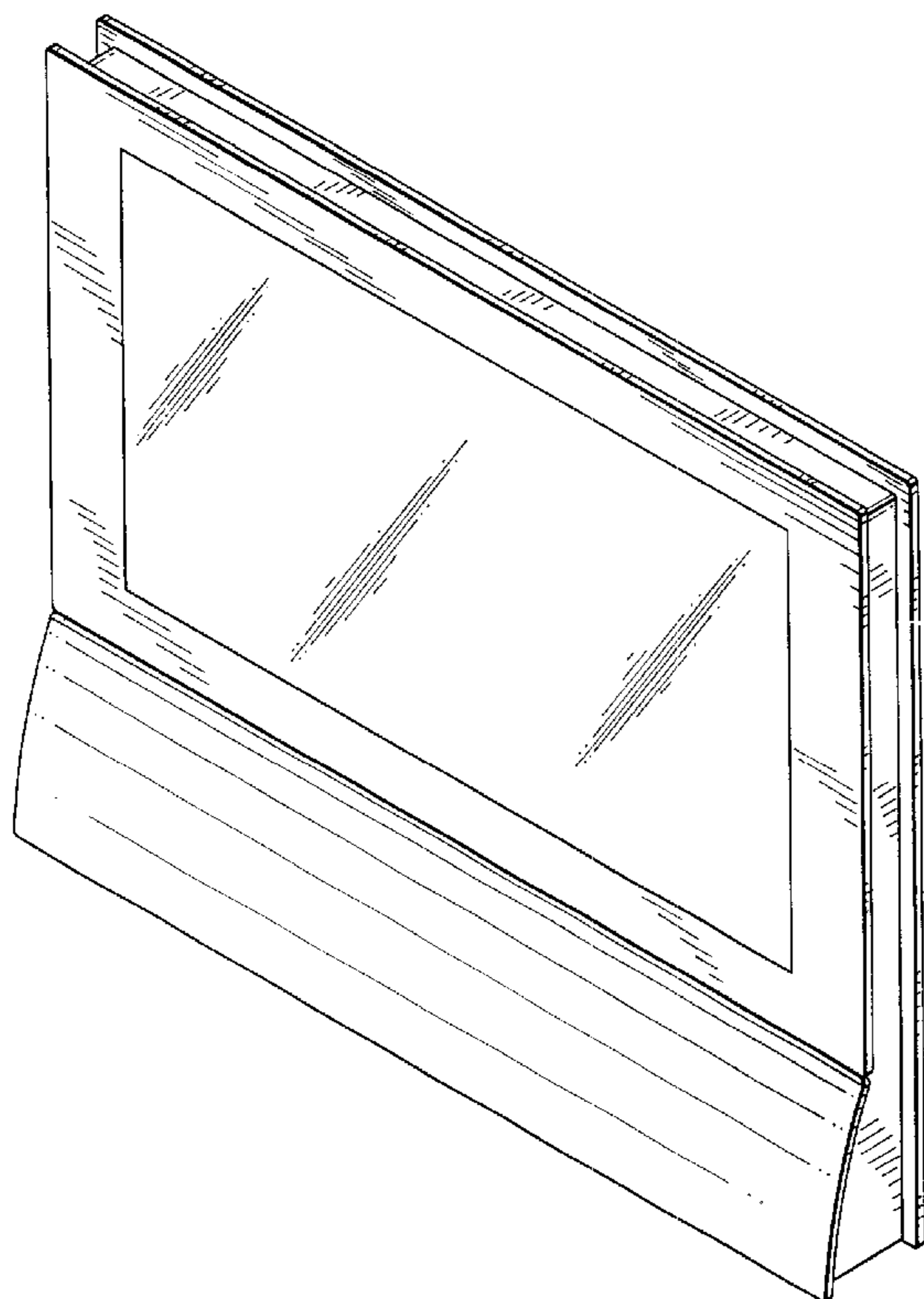
FIG. 5 is a right rear perspective view thereof.

FIG. 6 is a top view thereof.

FIG. 7 is a bottom view thereof; and,

FIG. 8 is a rear perspective view thereof.

1 Claim, 8 Drawing Sheets



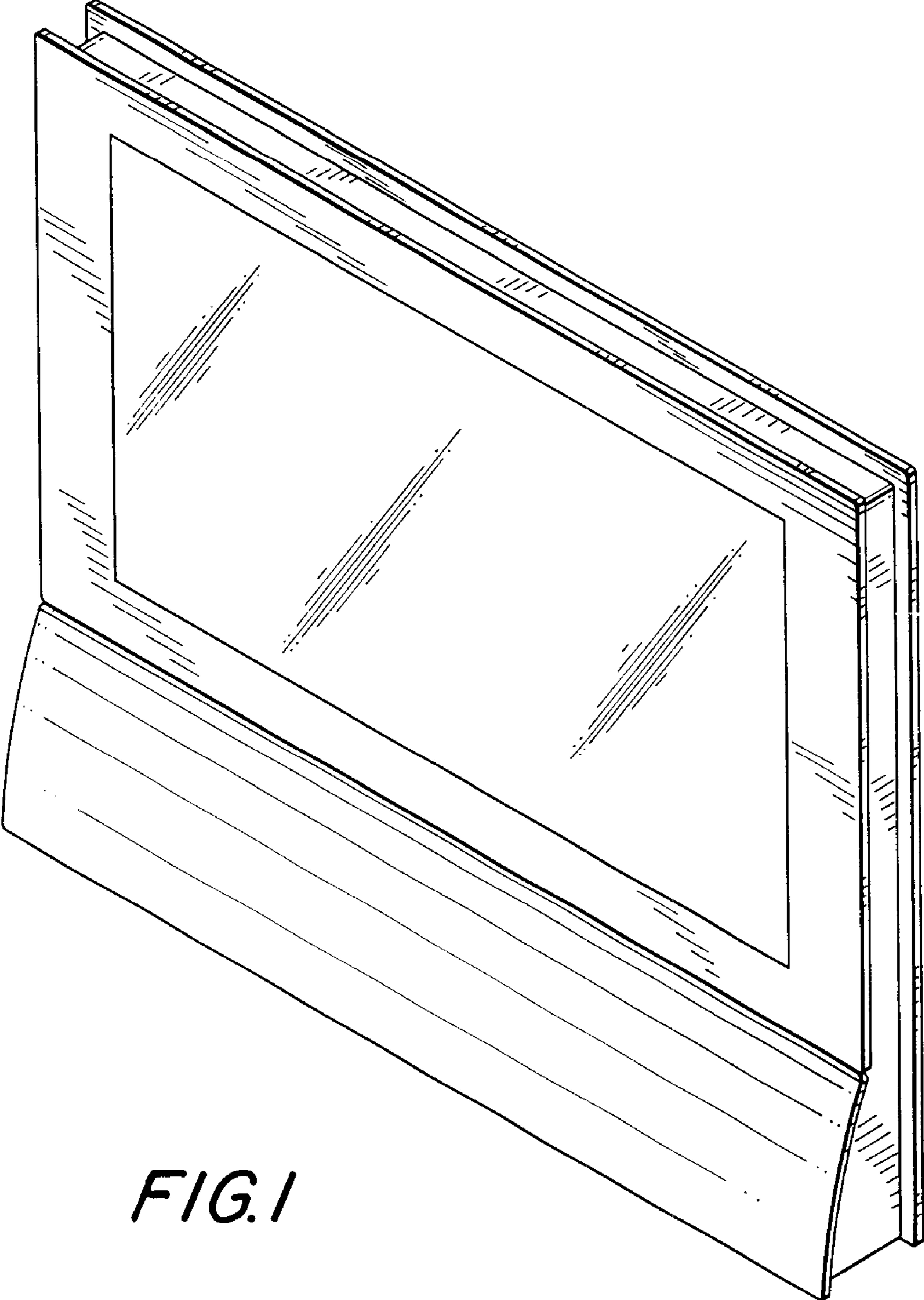


FIG. 1

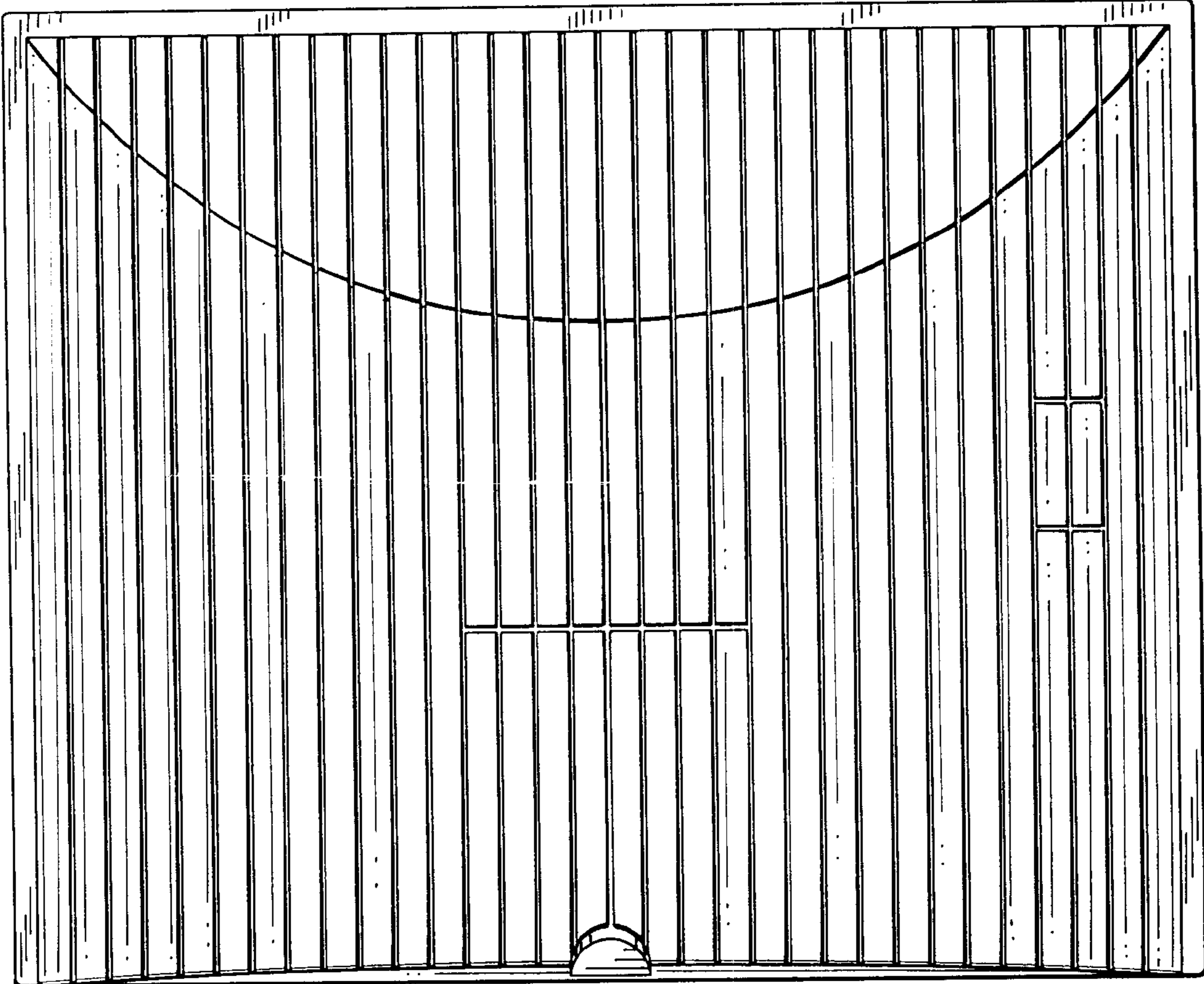


FIG. 2

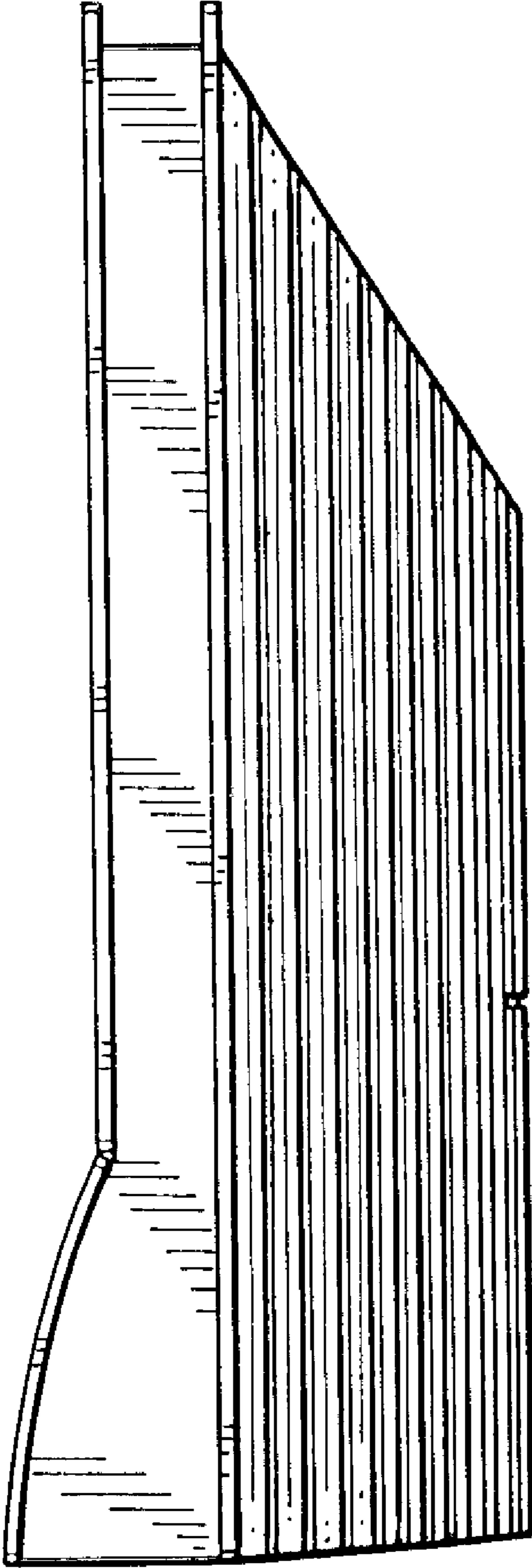


FIG. 3

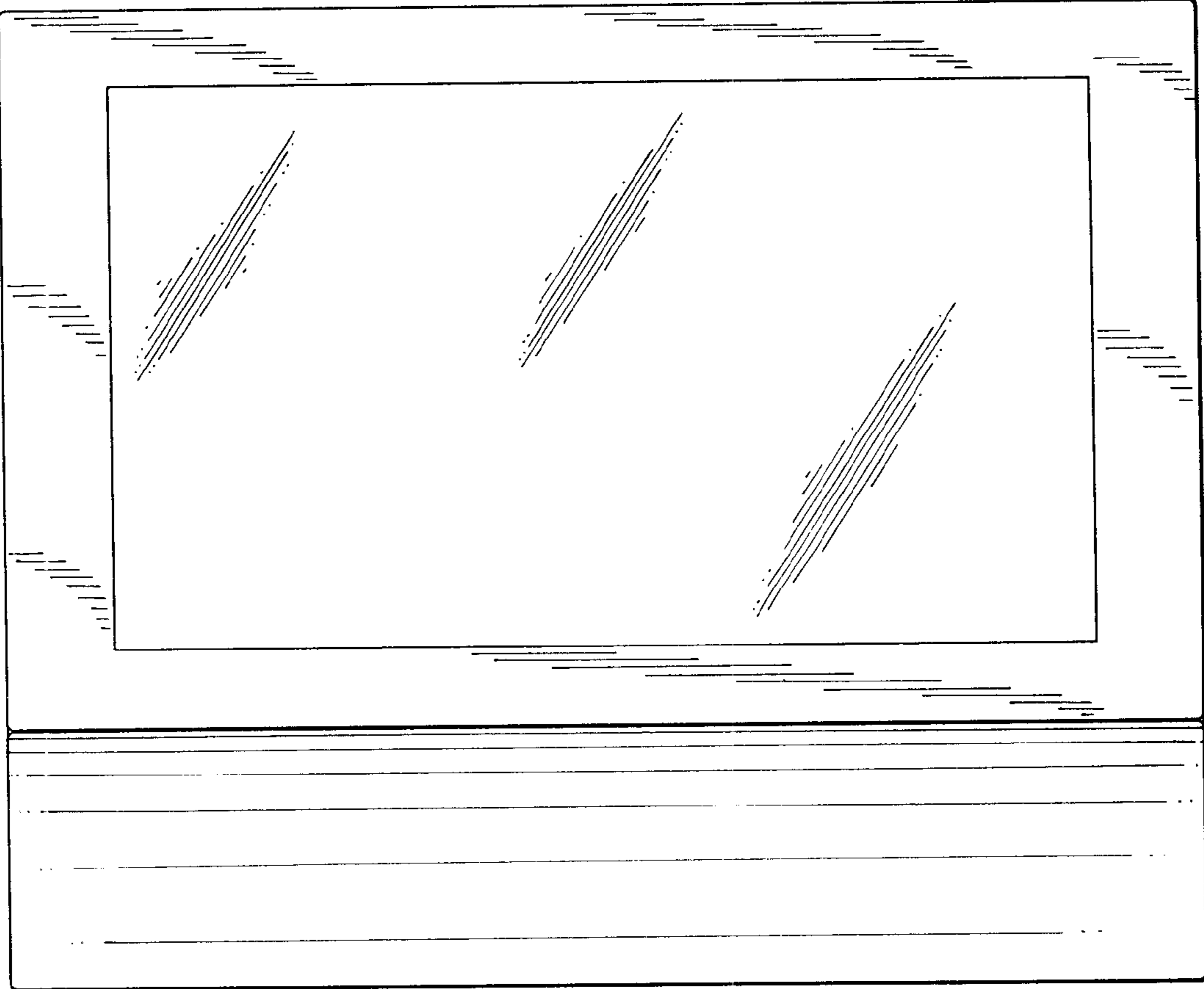


FIG. 4

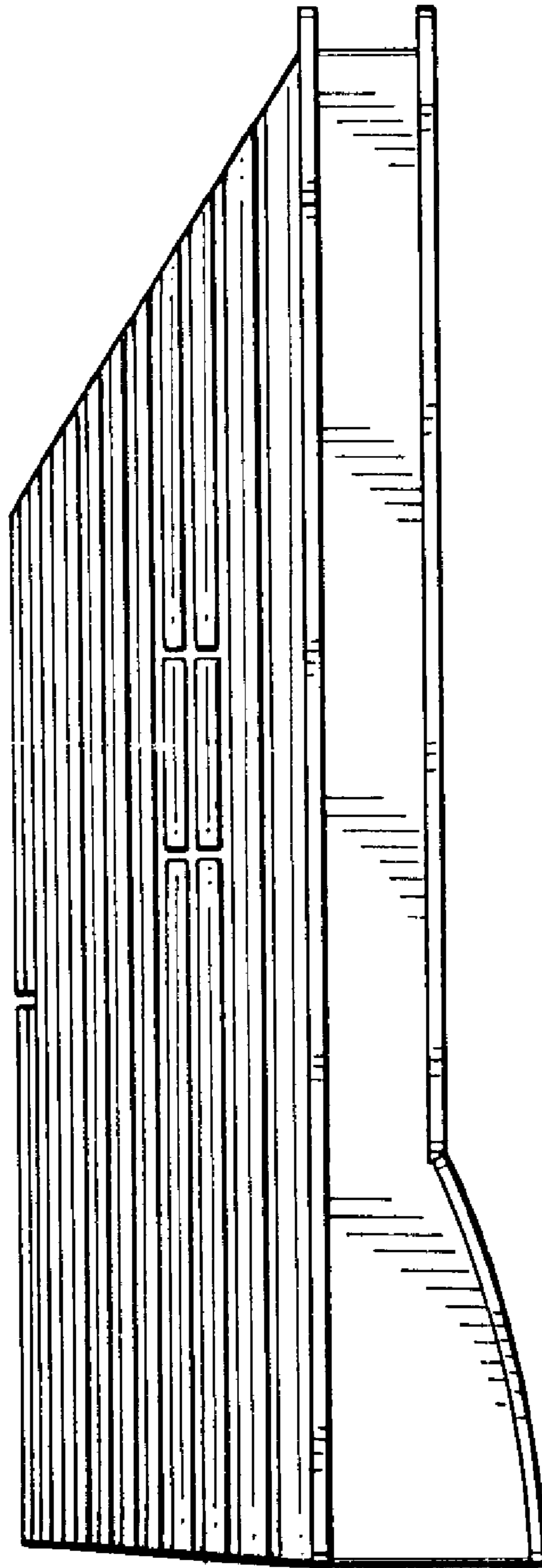


FIG. 5

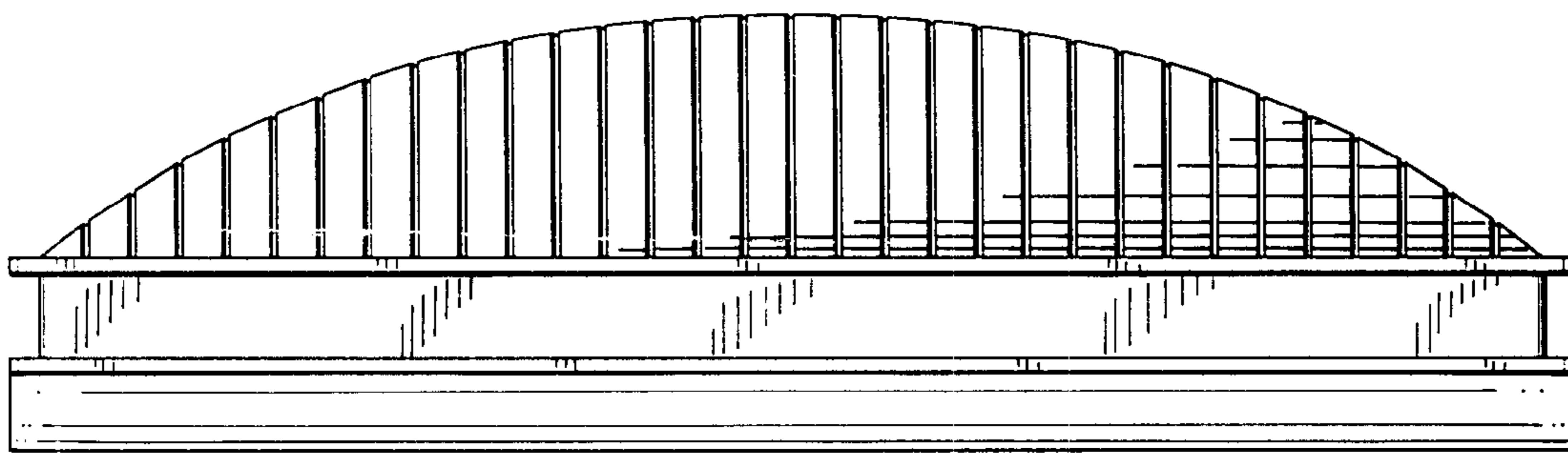
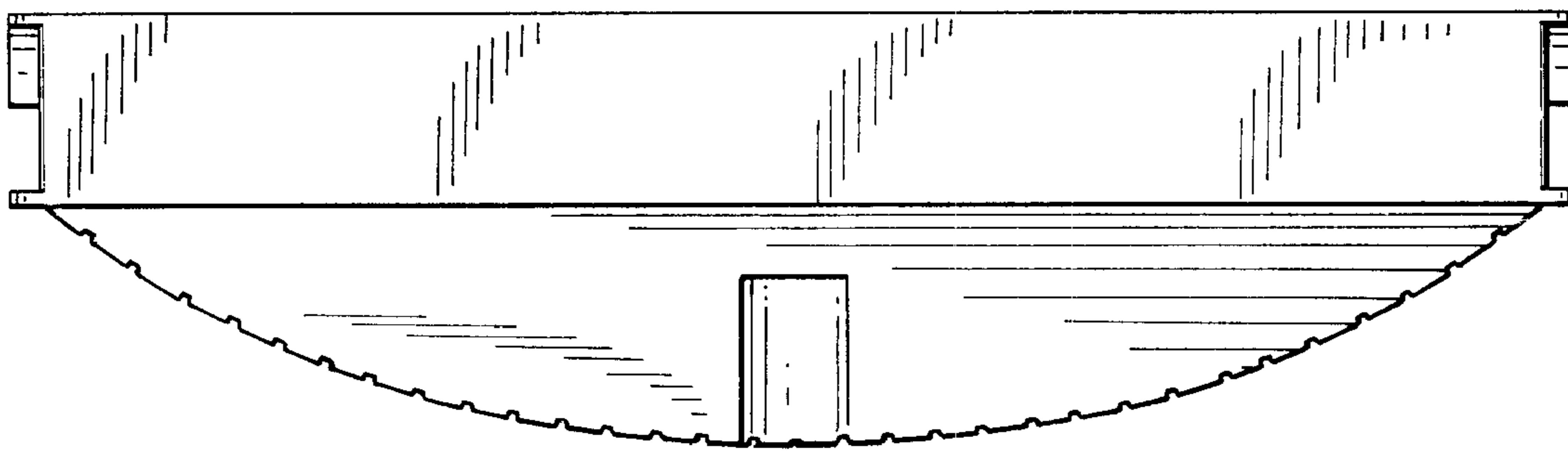


FIG. 6

FIG. 7



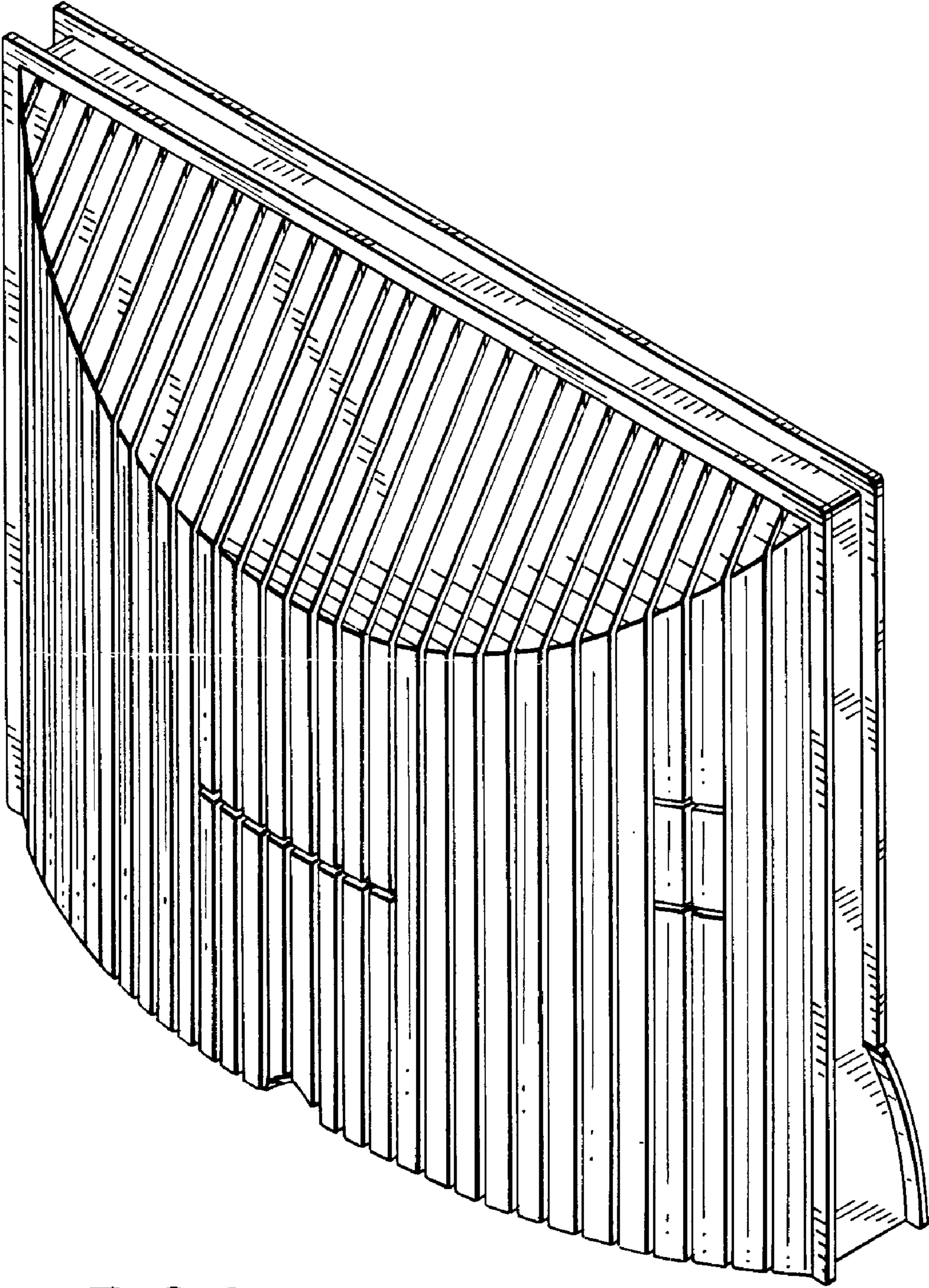


FIG. 8