

US00D501652S

(12) **United States Design Patent** (10) **Patent No.:** **US D501,652 S**  
**Pierson et al.** (45) **Date of Patent:** **\*\* Feb. 8, 2005**

(54) **DOORBELL PUSH BUTTON**

(76) Inventors: **Theodore Pierson**, P.O. Box 4758,  
 Seattle, WA (US) 98104; **Thomas  
 Gordon**, 1040 NE. Sunset Way,  
 Poulsbo, WA (US) 98370

(\*\*) Term: **14 Years**

(21) Appl. No.: **29/181,713**

(22) Filed: **May 15, 2003**

(51) **LOC (7) Cl.** ..... **13-03**

(52) **U.S. Cl.** ..... **D13/171**

(58) **Field of Search** ..... D10/116, 118;  
 D13/171, 174; 200/DIG. 18, 294, 296,  
 520, 530

(56) **References Cited**

U.S. PATENT DOCUMENTS

D31,147 S \* 7/1899 Bryant ..... D13/174  
 D51,475 S \* 11/1917 Berg ..... D8/352  
 D55,510 S \* 6/1920 Gamble ..... D19/96  
 D149,907 S \* 6/1948 Ripkin ..... D10/116

2,523,438 A \* 9/1950 Matheis ..... 200/DIG. 18  
 2,573,924 A \* 11/1951 Miller ..... 340/397.1  
 D298,442 S \* 11/1988 Murtagh ..... D19/96  
 D300,528 S \* 4/1989 Drane ..... D13/171  
 5,134,259 A \* 7/1992 Page, Jr. .... 200/304  
 D404,673 S \* 1/1999 Gordon et al. .... D10/118  
 D405,471 S \* 2/1999 Carlson ..... D19/99  
 D414,748 S \* 10/1999 Pierson et al. .... D13/171  
 D421,727 S \* 3/2000 Pierson et al. .... D10/116  
 D469,411 S \* 1/2003 Decosse ..... D13/174

\* cited by examiner

*Primary Examiner*—Nelson C. Holtje

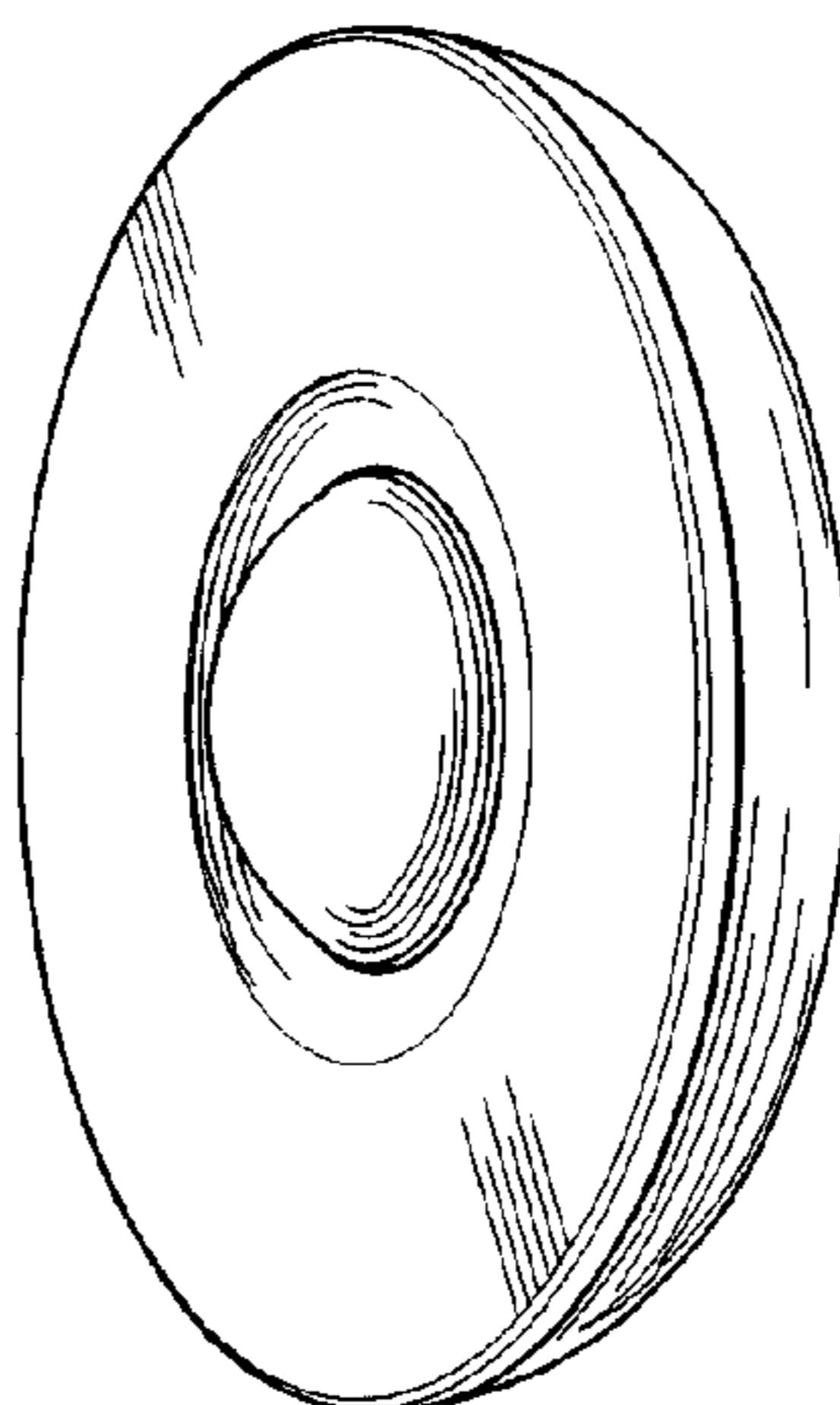
(57) **CLAIM**

The ornamental design for a doorbell push button, as shown.

**DESCRIPTION**

FIG. 1 is a cross-sectional view thereof as taken from line 1—1 of FIG. 2;  
 FIG. 2 is a front elevational view thereof;  
 FIG. 3 is a left side elevational view thereof; and,  
 FIG. 4 is a right front perspective view thereof.

**1 Claim, 1 Drawing Sheet**



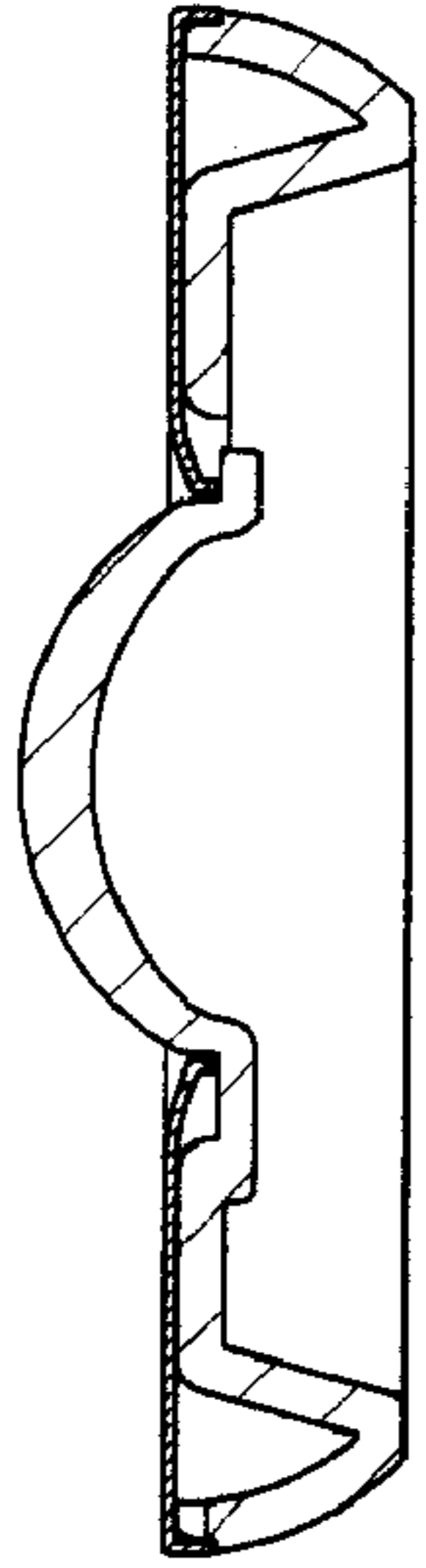


FIG. 1

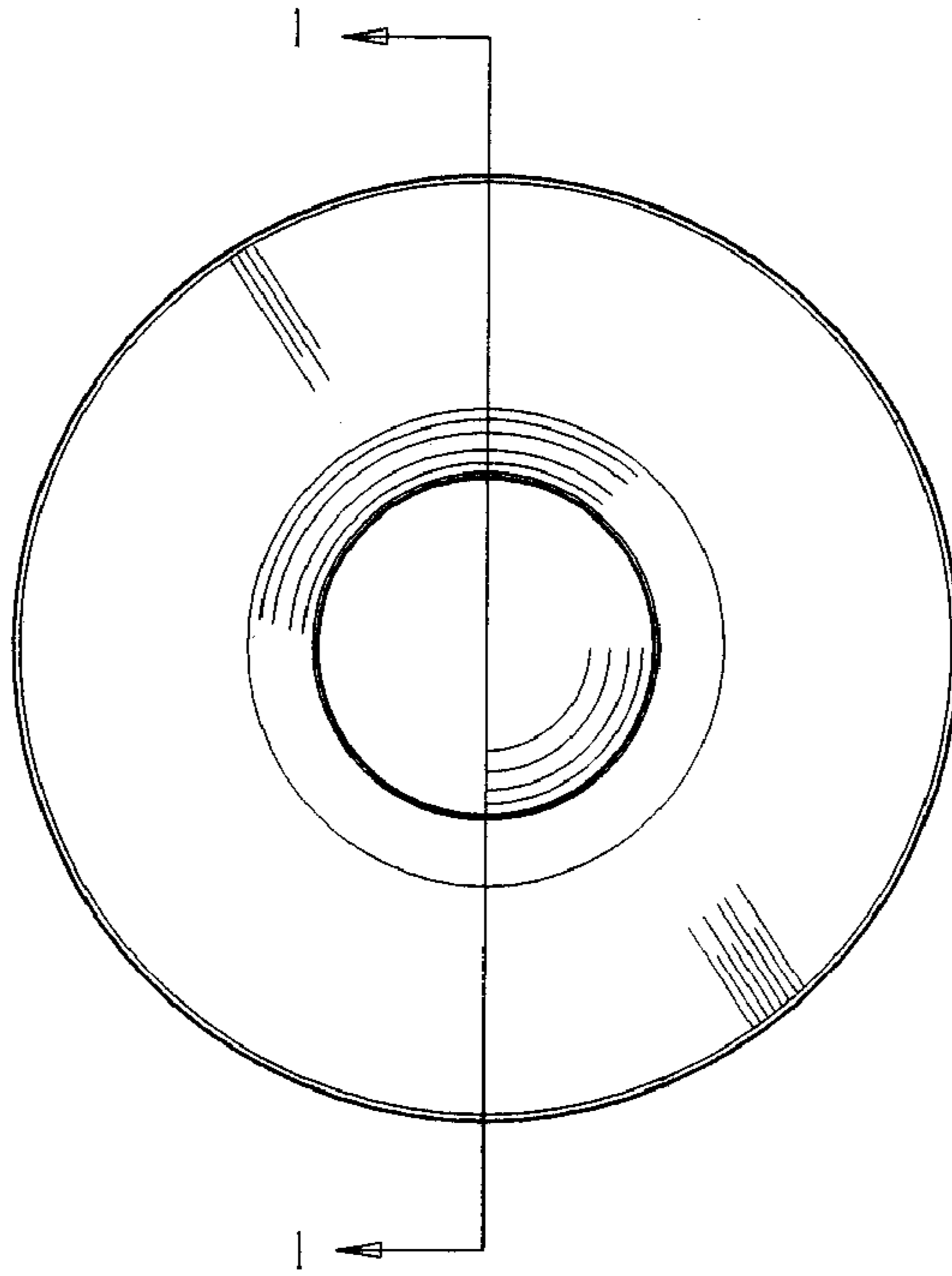


FIG. 2

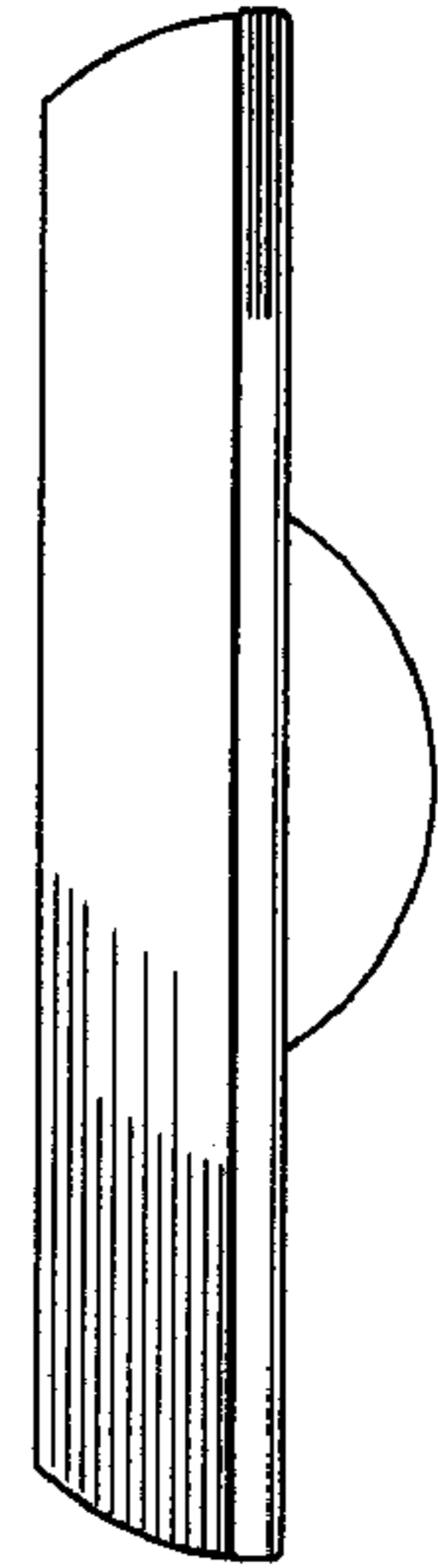


FIG. 3

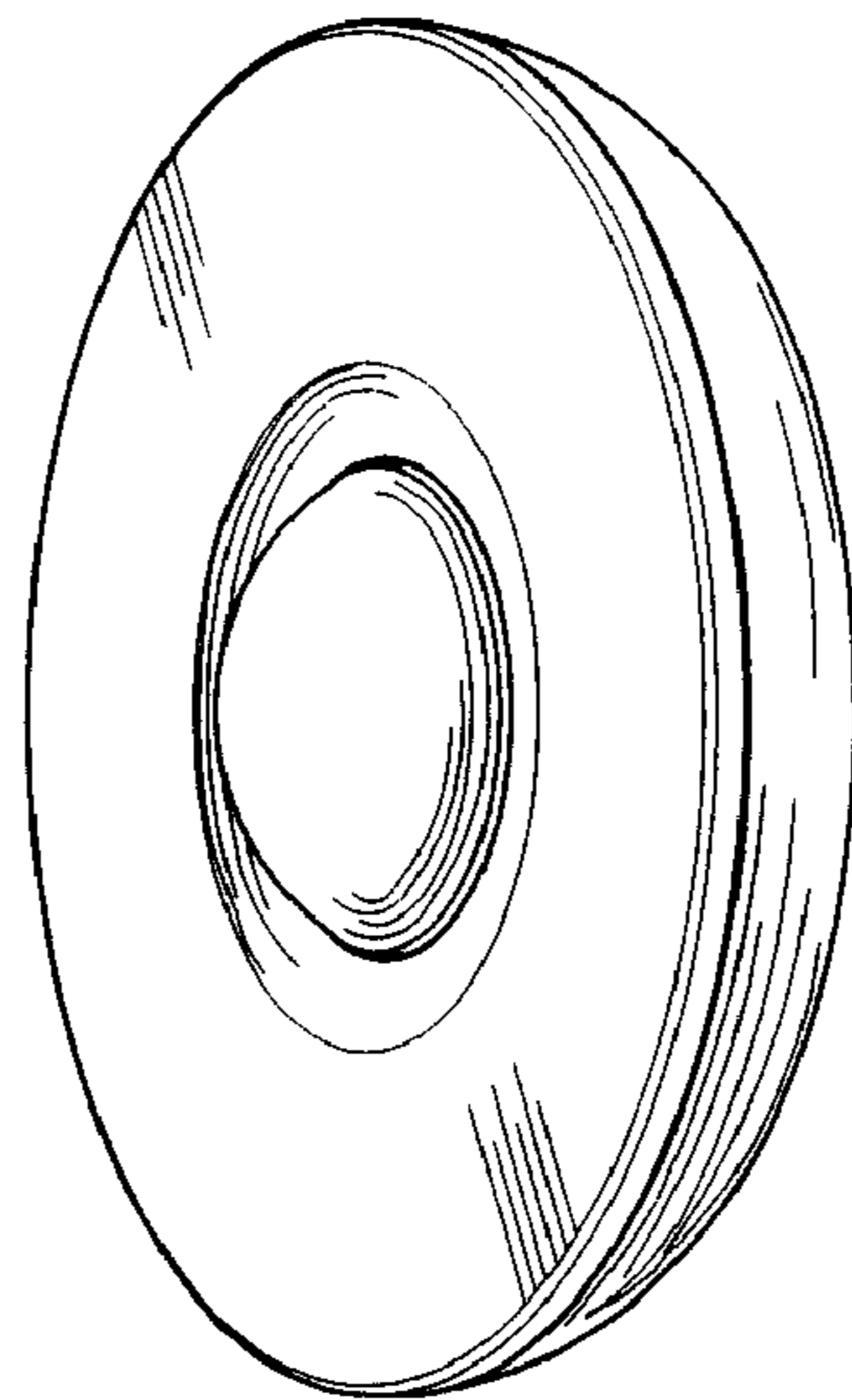


FIG. 4