

US00D501651S

(12) **United States Design Patent**
Kikuchi et al.

(10) **Patent No.:** **US D501,651 S**
(45) **Date of Patent:** **** Feb. 8, 2005**

(54) **ELECTRICAL CONNECTOR**

(75) Inventors: **Masayuki Kikuchi**, Tokyo (JP);
Masaaki Takaku, Tokyo (JP);
Takahiro Yamaji, Tokyo (JP)

(73) Assignee: **Japan Aviation Electronics Industry, Limited**, Tokyo (JP)

(**) Term: **14 Years**

(21) Appl. No.: **29/205,431**

(22) Filed: **May 14, 2004**

(30) **Foreign Application Priority Data**

Nov. 18, 2003 (JP) 2003-037644

(51) **LOC (7) Cl.** **13-03**

(52) **U.S. Cl.** **D13/147**

(58) **Field of Search** D13/147; 439/74,
439/79, 83, 108, 181, 607-610, 637, 660,
638, 910

(56) **References Cited**

U.S. PATENT DOCUMENTS

D471,873 S * 3/2003 Kawase D13/147

6,666,696 B1 * 12/2003 Wu 439/108
D489,039 S * 4/2004 Kawase et al. D13/147
2003/0096517 A1 * 5/2003 Ho 439/79
2003/0148640 A1 * 8/2003 Chang et al. 439/74

* cited by examiner

Primary Examiner—Stella Reid
Assistant Examiner—Selina Sikder

(74) *Attorney, Agent, or Firm*—Collard & Roe, P.C.

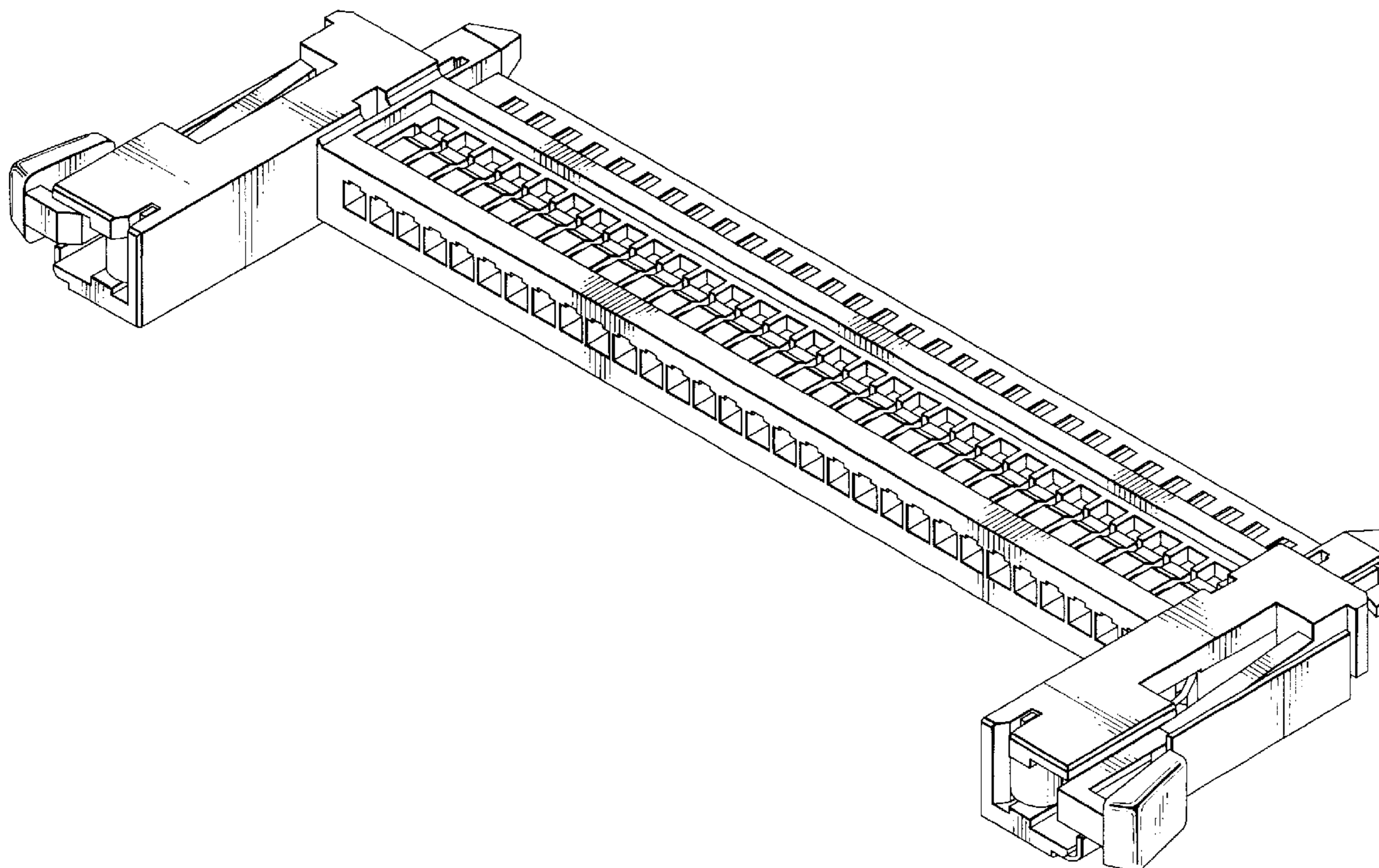
(57) **CLAIM**

The ornamental design for an electrical connector, as shown and described.

DESCRIPTION

FIG. 1 is a front elevational view of an electrical connector; FIG. 2 is a rear elevational view thereof; FIG. 3 is a right side elevational view thereof; FIG. 4 is a top plan view thereof; FIG. 5 is a bottom plan view thereof; and, FIG. 6 is a front, top, and right side perspective view thereof. A left side elevational view of the electrical connector is omitted because it is presented symmetrical to the right side elevational view of FIG. 3.

1 Claim, 6 Drawing Sheets



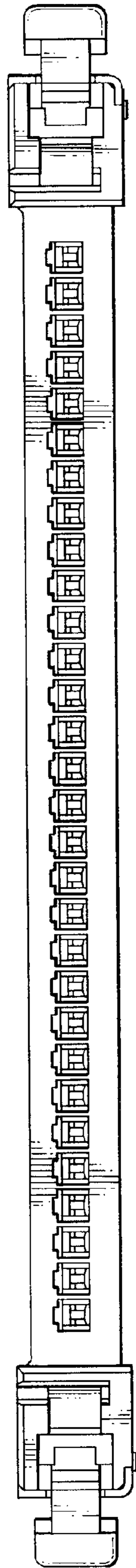


FIG. 1

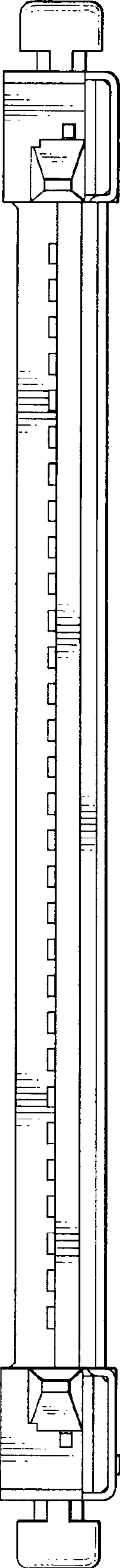


FIG. 2

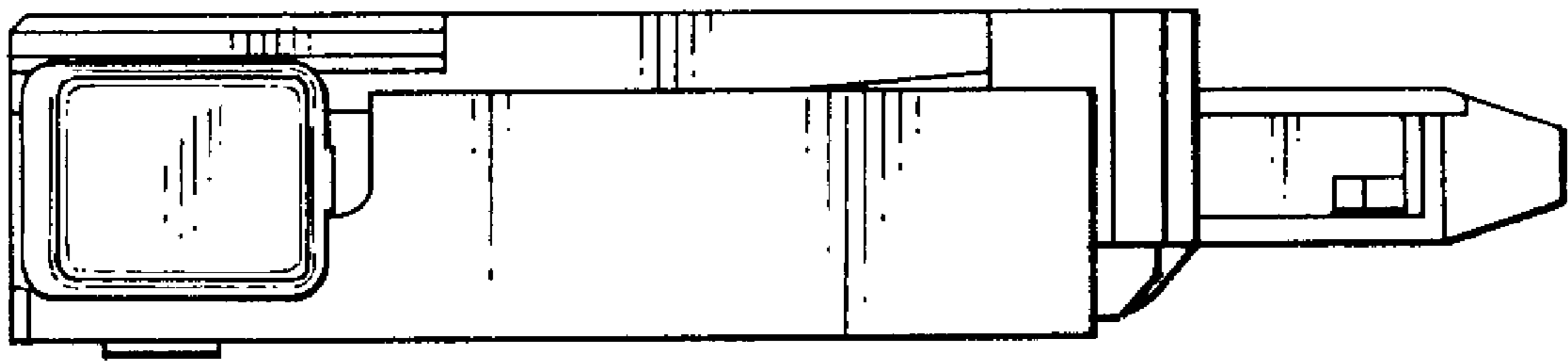


FIG. 3

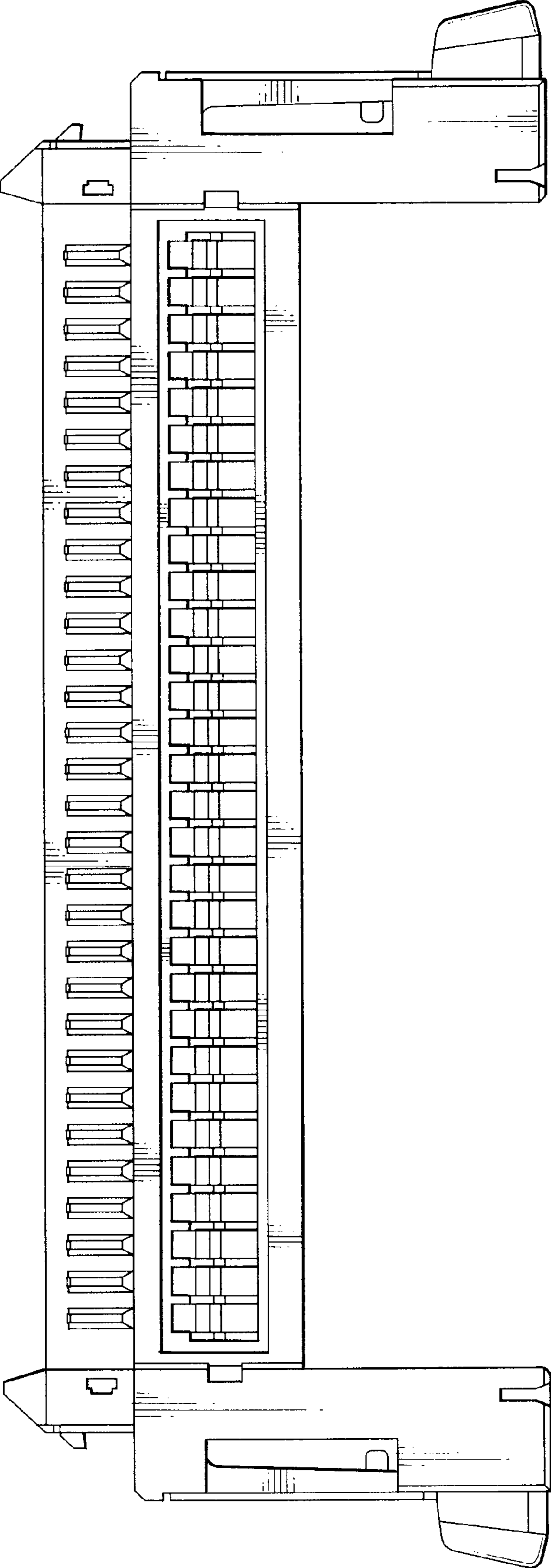


FIG. 4

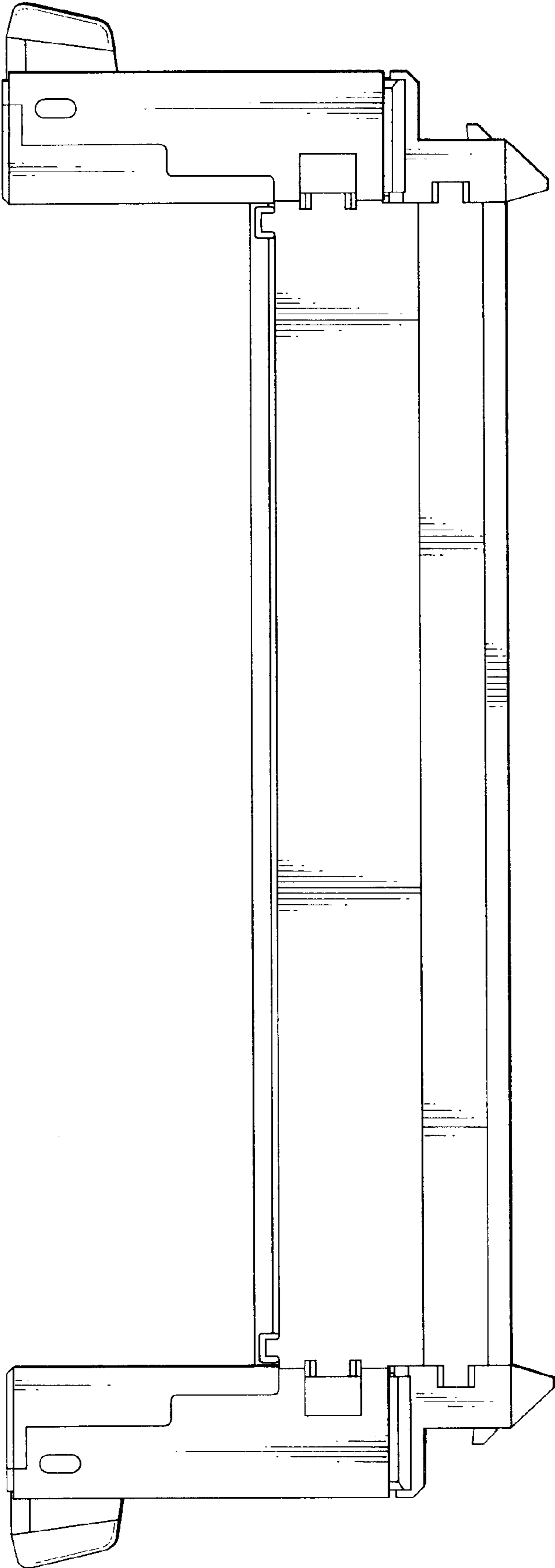


FIG. 5

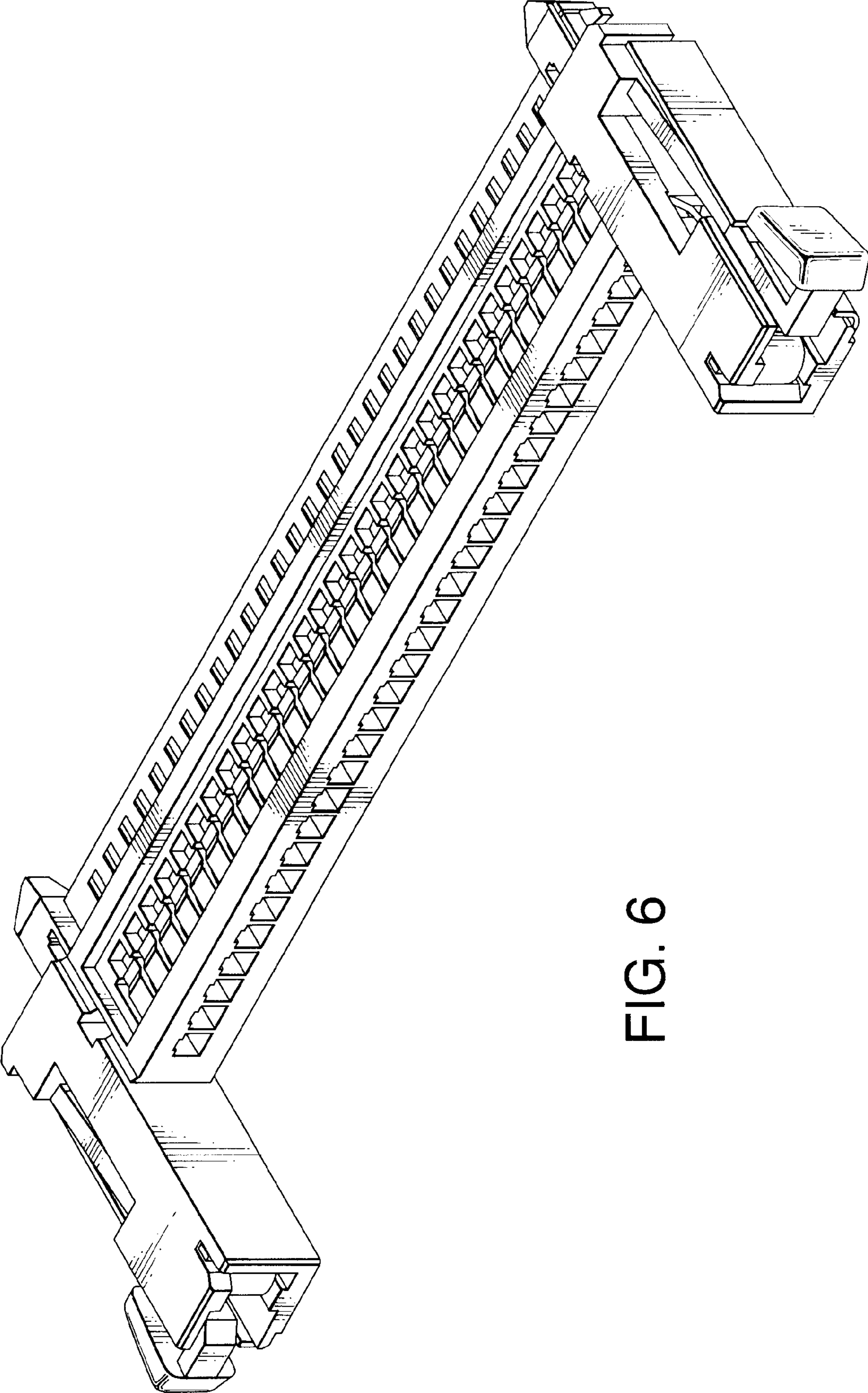


FIG. 6