

US00D501650S

(12) **United States Design Patent**
Wang et al.

(10) **Patent No.: US D501,650 S**

(45) **Date of Patent: ** Feb. 8, 2005**

(54) **ELECTRICAL CONNECTOR ASSEMBLY**

(75) Inventors: **Yao Jun Wang**, Kunsan (CN); **Hai Bin Chen**, Kunsan (CN)

(73) Assignee: **Hon Hai Precision Ind. Co., Ltd.**,
Taipei Hsien (TW)

(**) Term: **14 Years**

(21) Appl. No.: **29/173,356**

(22) Filed: **Dec. 24, 2002**

(30) **Foreign Application Priority Data**

Dec. 20, 2002 (TW) 91307429

(51) **LOC (7) Cl.** **13-03**

(52) **U.S. Cl.** **D13/147**

(58) **Field of Search** D13/146, 147;
439/62, 79, 83, 108, 181, 248, 607-610,
668, 541.5

(56) **References Cited**

U.S. PATENT DOCUMENTS

5,112,233 A * 5/1992 Lybrand 439/79
5,547,398 A * 8/1996 Ichikawa et al. 439/607
D379,620 S * 6/1997 Aramaki D13/147

5,812,660 A * 9/1998 Suzuki et al. 379/438
D416,863 S * 11/1999 Sato et al. D13/147
D422,562 S * 4/2000 Huang D13/147
D450,659 S * 11/2001 Hu et al. D13/147
6,540,551 B1 * 4/2003 Wang 439/541.5
6,561,847 B1 * 5/2003 Xiang et al. 439/541.5

* cited by examiner

Primary Examiner—Philip S. Hyder

Assistant Examiner—Selina Sikder

(74) *Attorney, Agent, or Firm*—Wei Te Chung

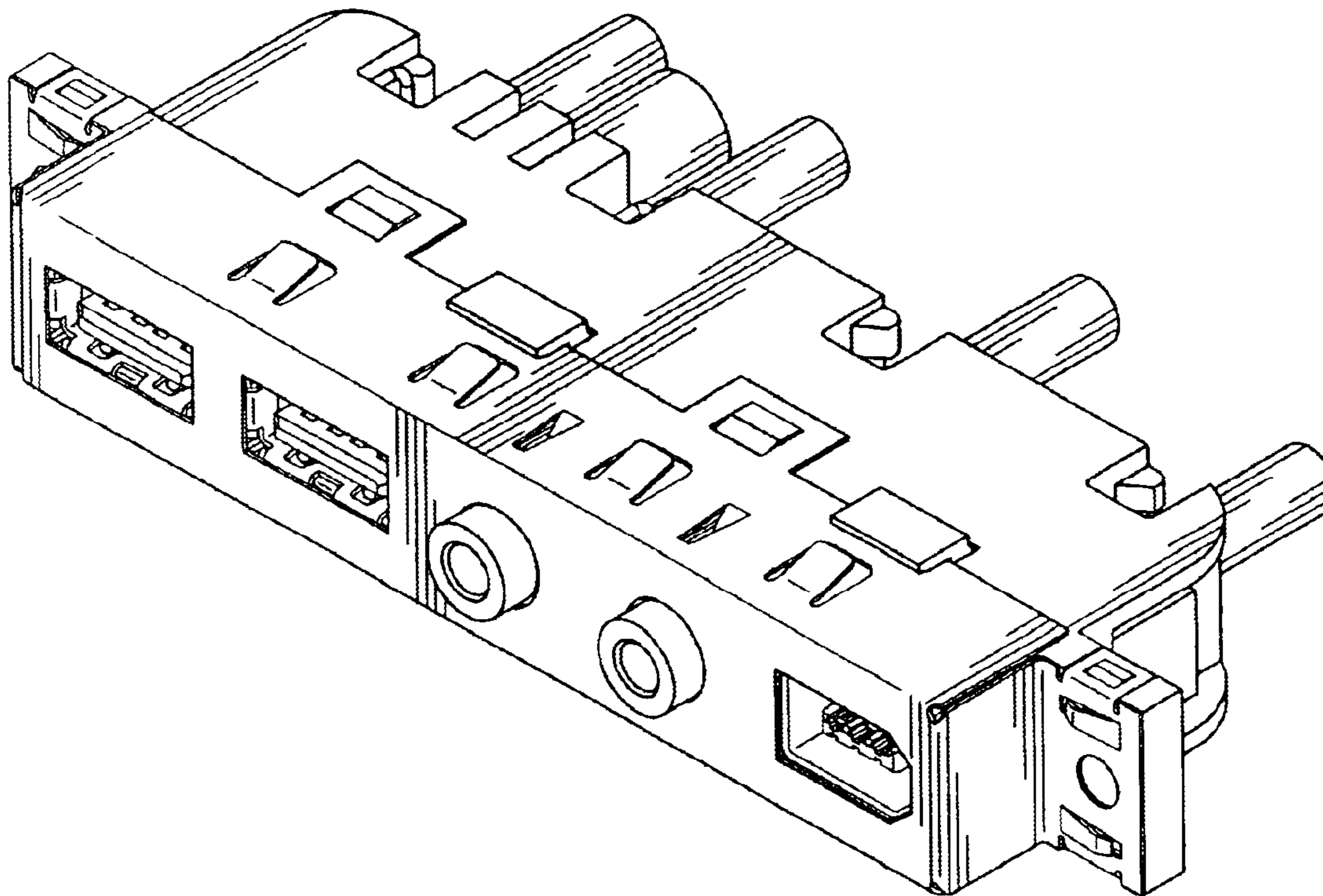
(57) **CLAIM**

The ornamental design for an electrical connector assembly, as shown.

DESCRIPTION

FIG. 1 is a front, top and left side perspective view of an electrical connector assembly;
FIG. 2 is a front elevational view thereof;
FIG. 3 is a rear elevational view thereof;
FIG. 4 is a left side elevational view thereof;
FIG. 5 is a right side elevational view thereof;
FIG. 6 is a top plan view thereof; and,
FIG. 7 is a bottom plan view thereof.

1 Claim, 5 Drawing Sheets



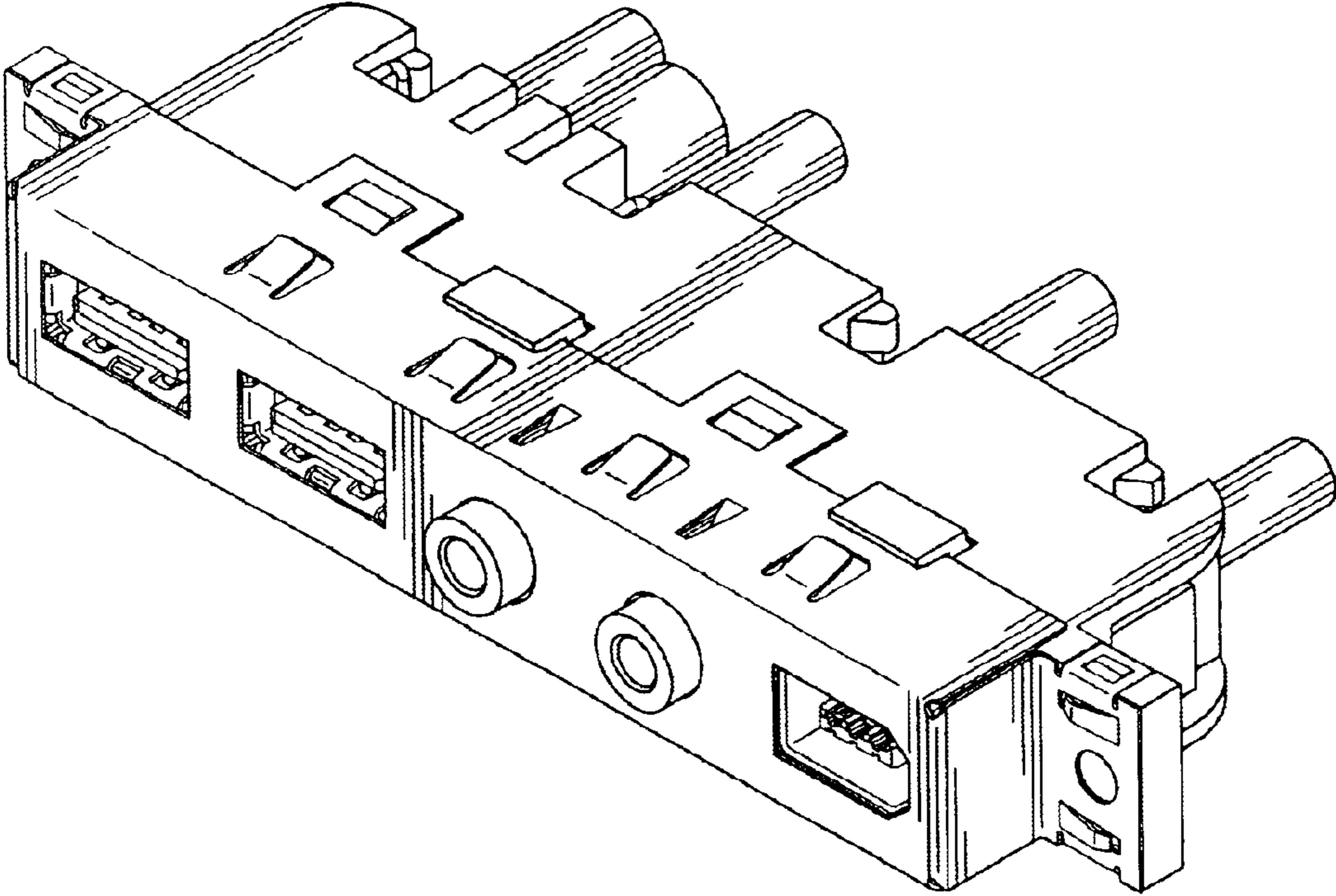


FIG. 1

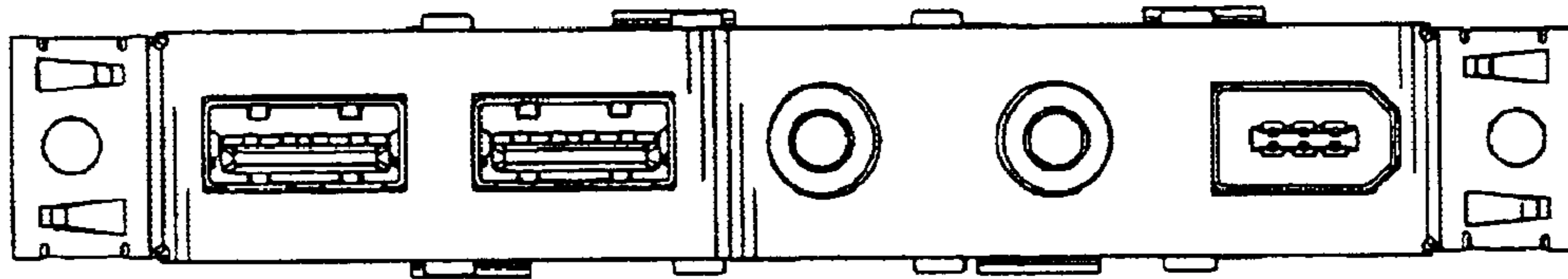


FIG. 2

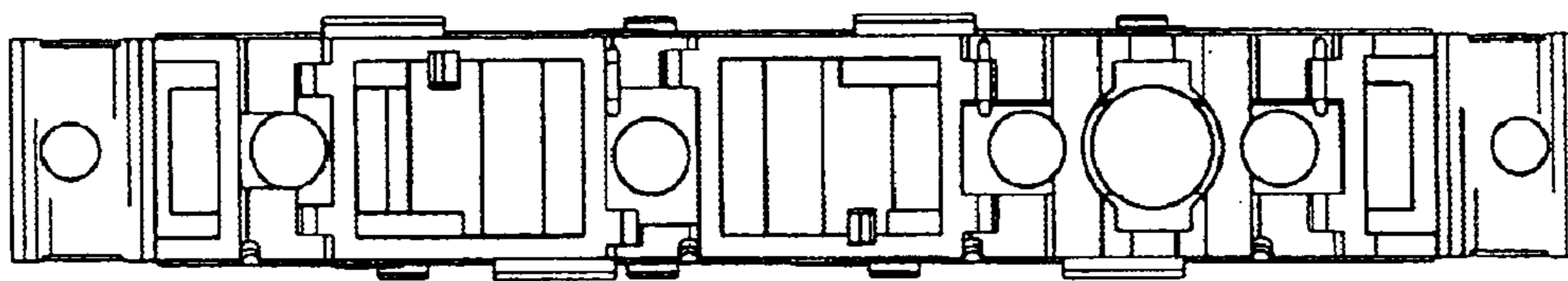


FIG. 3

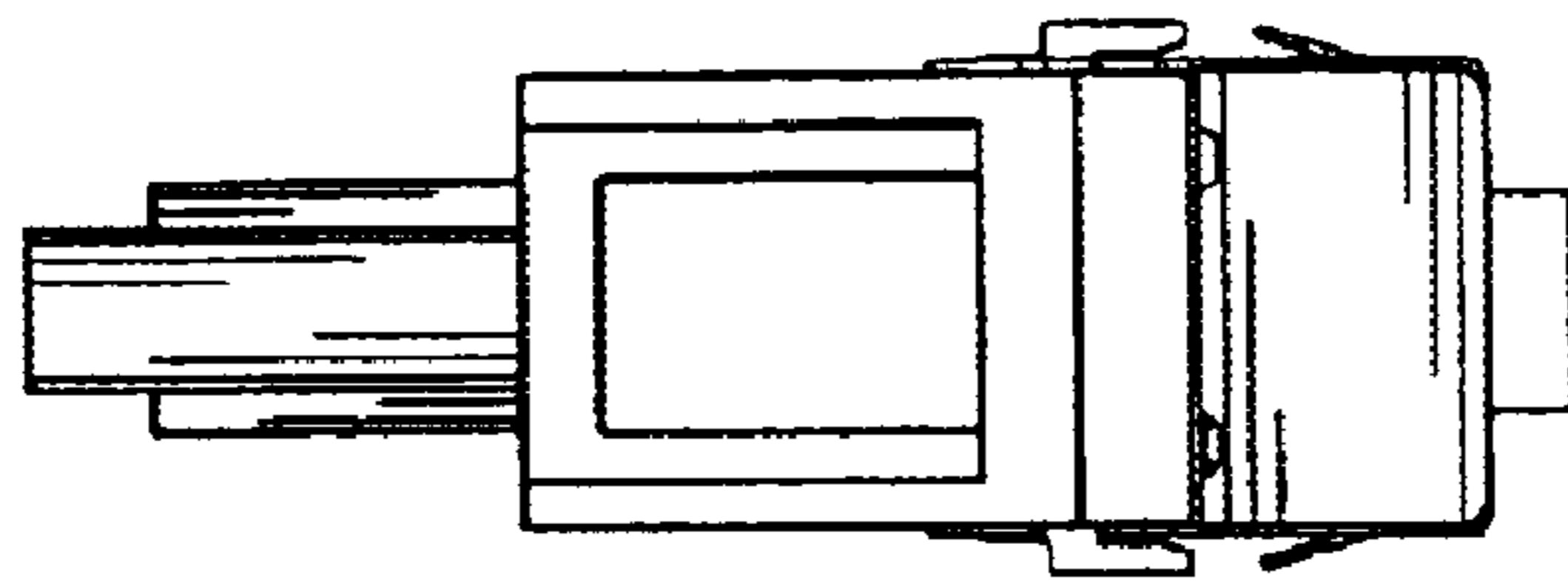


FIG. 4

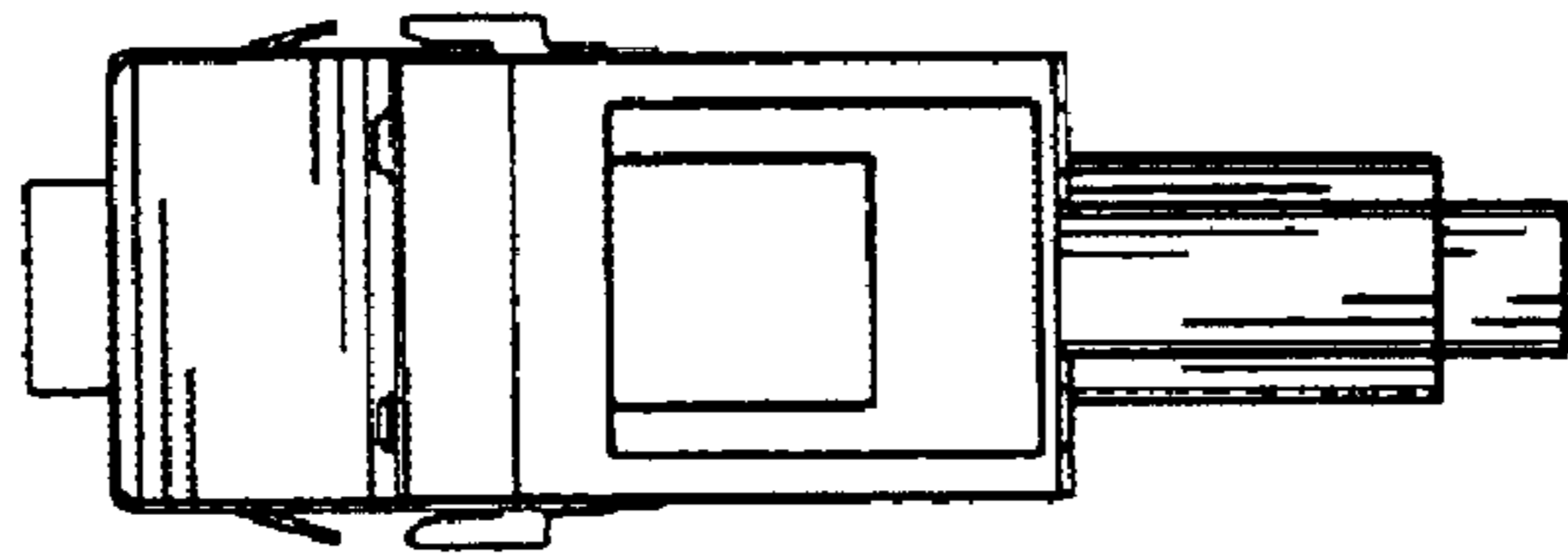


FIG. 5

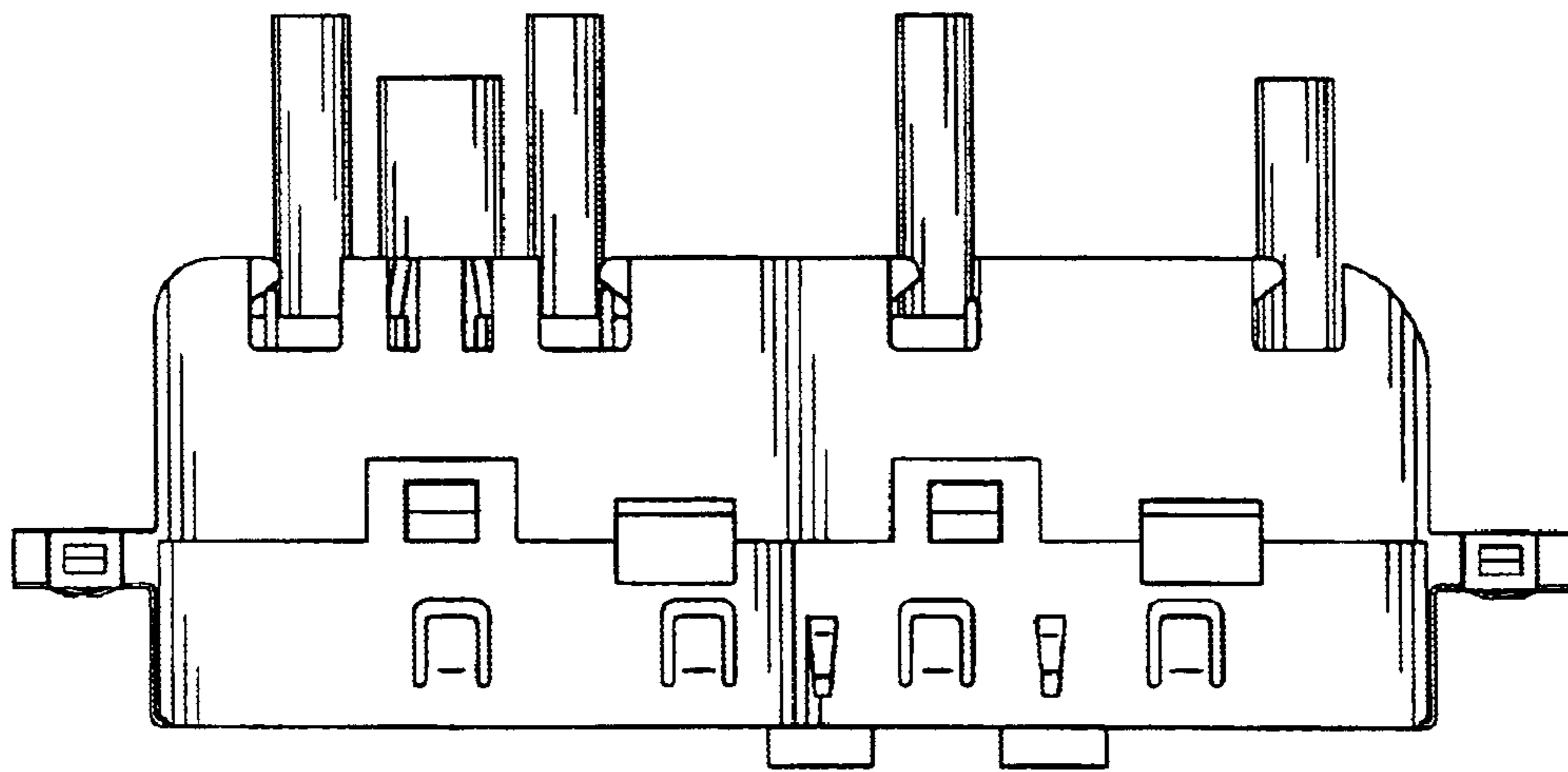


FIG. 6

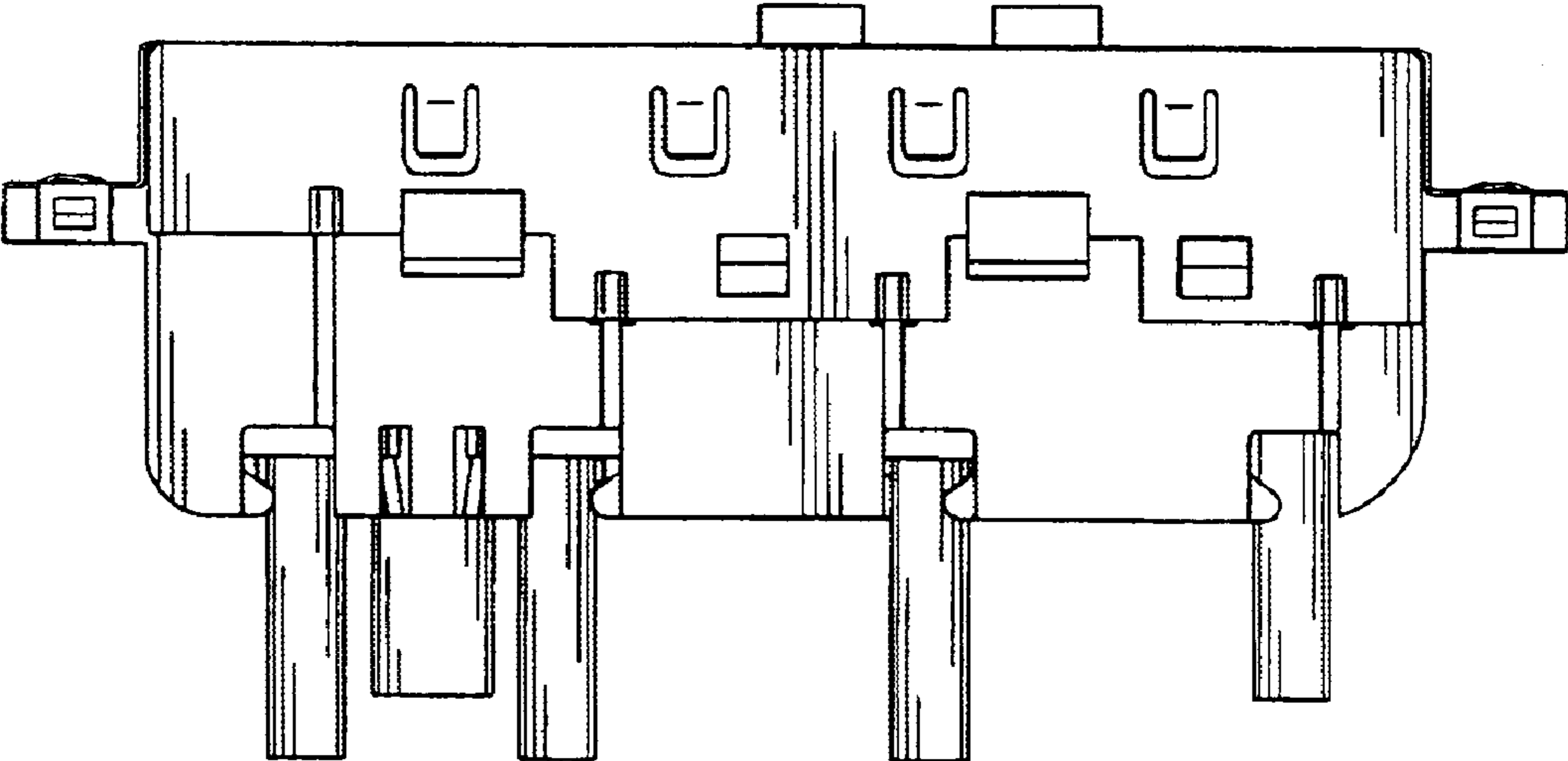


FIG. 7