

US00D501645S

(12) **United States Design Patent**
Hosoda et al.

(10) **Patent No.: US D501,645 S**
(45) **Date of Patent: ** Feb. 8, 2005**

(54) **MOTOR VEHICLE AND/OR TOY REPLICA THEREOF**

(75) Inventors: **Yasuhide Hosoda**, Aichi-ken (JP);
Isoroku Yamada, Aichi-ken (JP);
Sotiris Kovos, Turin (IT)

(73) Assignee: **Toyota Jidosha Kabushiki Kaisha** (JP)

(**) Term: **14 Years**

(21) Appl. No.: **29/199,710**

(22) Filed: **Feb. 18, 2004**

(30) **Foreign Application Priority Data**

Dec. 22, 2003 (JP) 2003-037726

(51) **LOC (7) Cl.** **12-08**

(52) **U.S. Cl.** **D12/92**

(58) **Field of Search** D12/90-92, 86;
D21/424, 433; 296/185

(56) **References Cited**

U.S. PATENT DOCUMENTS

- D489,647 S * 5/2004 Matsumoto et al. D12/92
- D491,105 S * 6/2004 Kim et al. D12/91
- D491,842 S * 6/2004 Nakamura et al. D12/92

OTHER PUBLICATIONS

Nissan Teana, Automotive Guidebook of Japan, Oct. 22, 2003, p. 136.

Toyota Lexus GS, Brochure of Lexus GS, 2002.

Toyota Aristo, Brochure of Aristo, Aug. 2002.

* cited by examiner

Primary Examiner—Melody N. Brown

(74) *Attorney, Agent, or Firm*—SAIDMAN DesignLaw Group

(57) **CLAIM**

The ornamental design for a motor vehicle and/or toy replica thereof, as shown and described.

DESCRIPTION

FIG. 1 is a front perspective view of a motor vehicle and/or toy replica thereof showing our new design;

FIG. 2 is a rear perspective view thereof;

FIG. 3 is a right-side view thereof, with the left-side being a mirror image;

FIG. 4 is a top view thereof;

FIG. 5 is a front view thereof; and,

FIG. 6 is a rear view thereof.

1 Claim, 2 Drawing Sheets





FIG. 1



FIG. 2

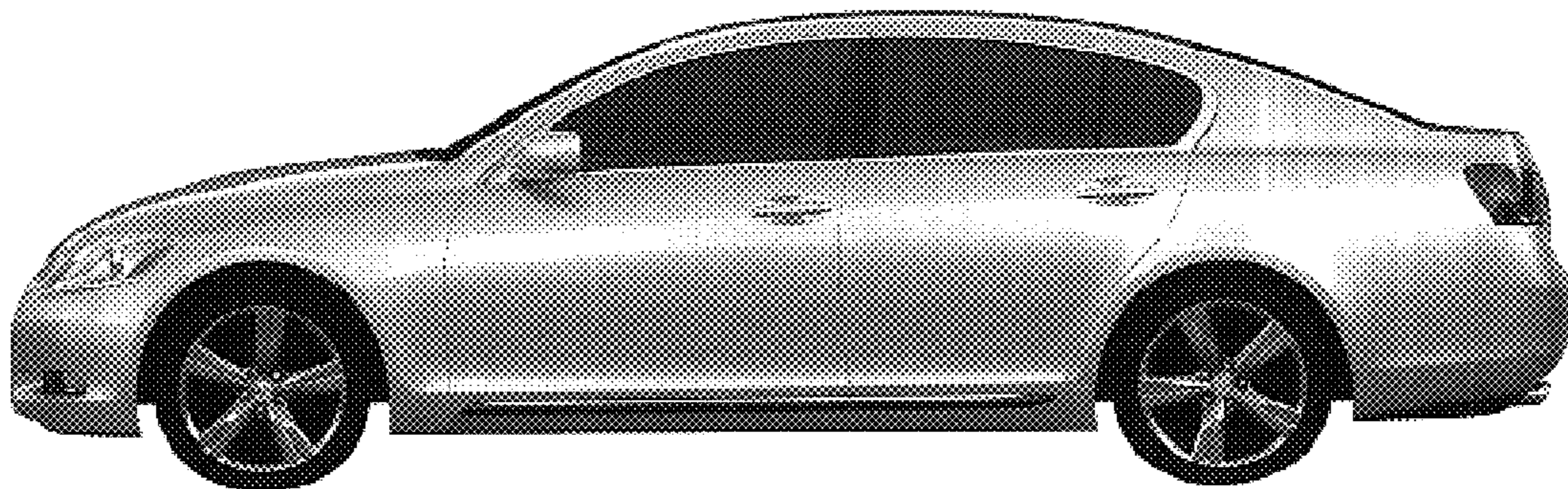


FIG. 3

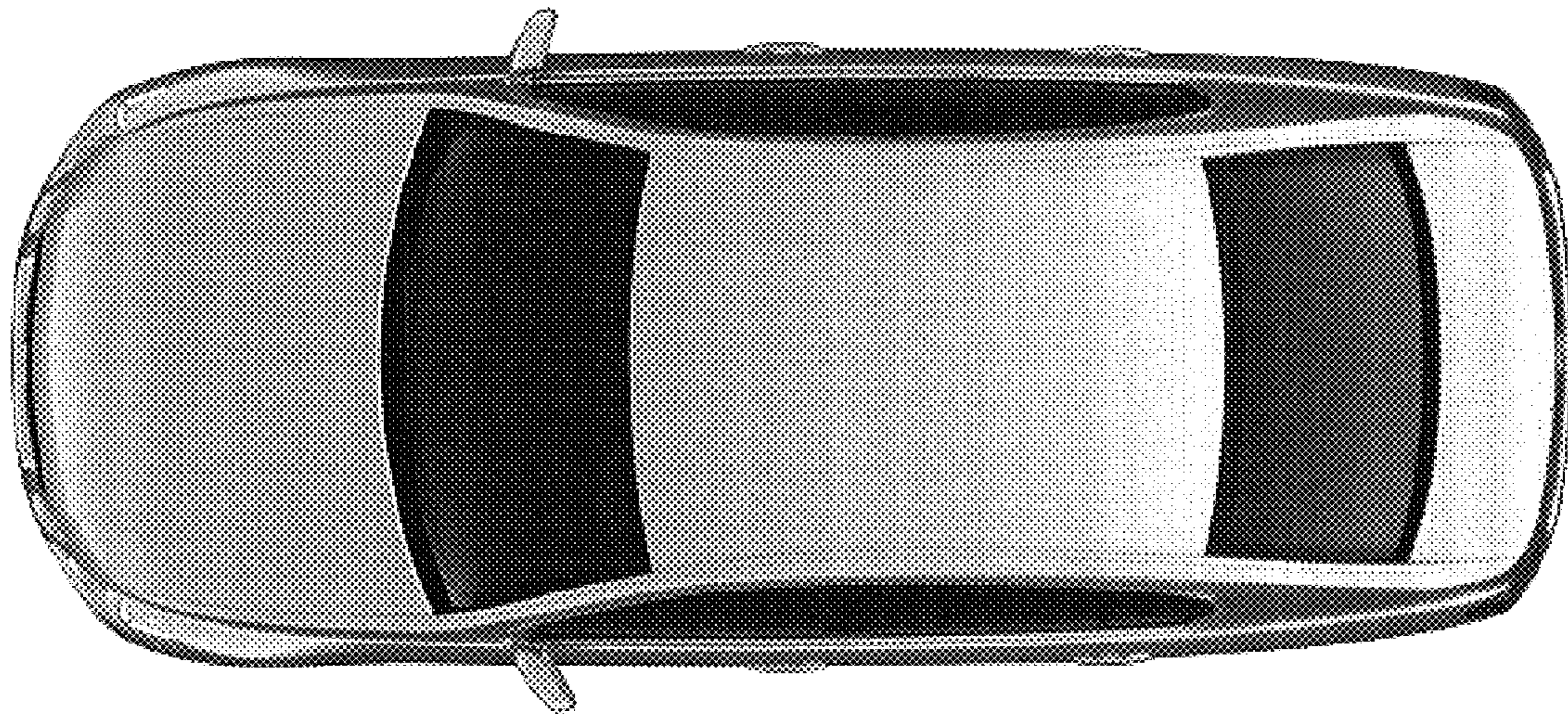


FIG. 4

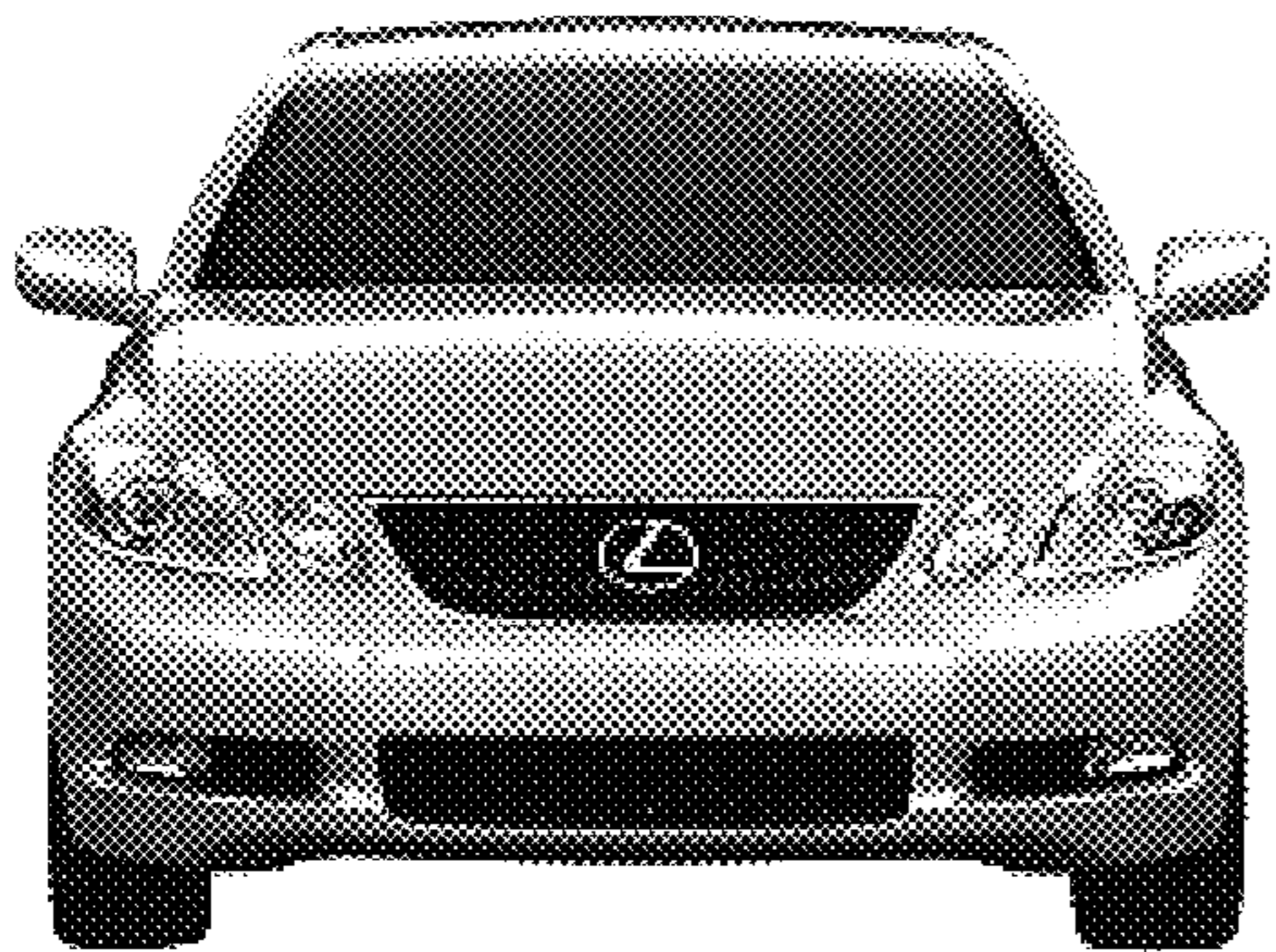


FIG. 5



FIG. 6