



US00D501633S

(12) **United States Design Patent**
Kruepke

(10) **Patent No.:** **US D501,633 S**
(45) **Date of Patent:** **** Feb. 8, 2005**

(54) **WALK BEHIND ROTARY TROWEL GUIDE HANDLE**

5,993,109 A 11/1999 Motl et al.

* cited by examiner

(75) Inventor: **Gregory Kruepke**, Waukesha, WI (US)

Primary Examiner—Holly Baynham

(73) Assignee: **Wacker Corporation**, Menomonee Falls, WI (US)

(74) *Attorney, Agent, or Firm*—Boyle Fredrickson Newholm Stein & Gratz S.C.

(**) Term: **14 Years**

(57) **CLAIM**

The ornamental design for a walk behind rotary trowel guide handle, as shown and described.

(21) Appl. No.: **29/193,382**

(22) Filed: **Nov. 7, 2003**

DESCRIPTION

(51) **LOC (7) Cl.** **08-05**

FIG. 1 is a perspective view of a walk behind rotary trowel guide handle, wherein the dashed lines illustrate the environment and form no part of the claimed design;

(52) **U.S. Cl.** **D8/107**

FIG. 2 is a top plan view of the guide handle of FIG. 1;

(58) **Field of Search** D8/45, 107; D15/11; 172/378, 372, 380

FIG. 3 is a front elevation view of the guide handle of FIG. 1;

(56) **References Cited**

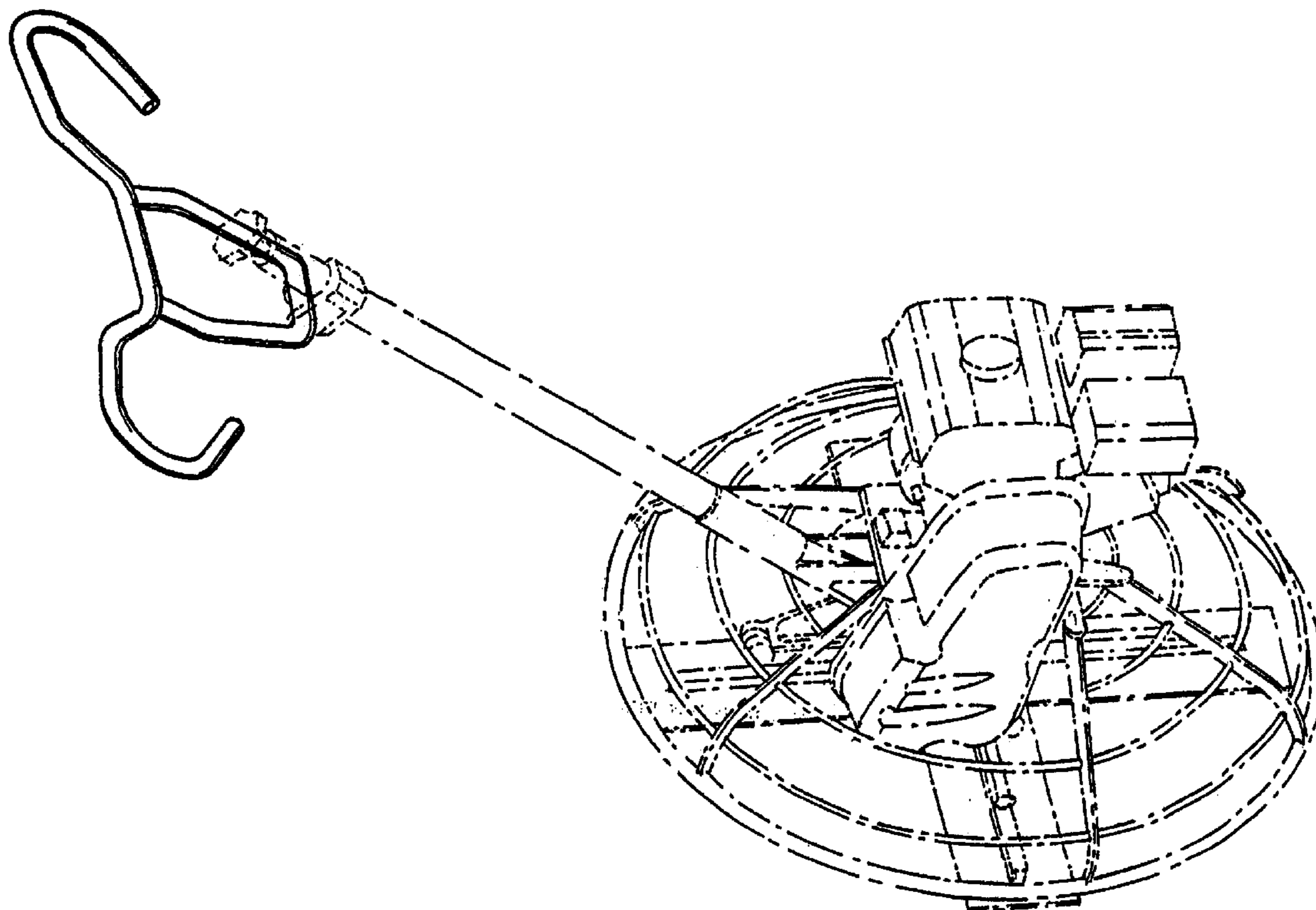
U.S. PATENT DOCUMENTS

3,412,657 A	*	11/1968	Colizza et al.	404/112
4,046,483 A	*	9/1977	Sutherland	404/112
4,232,980 A	*	11/1980	Tertinek et al.	404/112
4,577,993 A		3/1986	Allen et al.	
4,673,311 A		6/1987	Whiteman, Jr.	
D407,723 S	*	4/1999	Weisman et al.	D15/11

FIG. 4 is bottom plan view of the guide handle of FIG. 1; FIG. 5 is a left side elevation view of the guide handle of FIG. 1, the right side elevation view being a mirror image thereof; and,

FIG. 6 is a rear elevation view of the guide handle of FIG. 1.

1 Claim, 3 Drawing Sheets



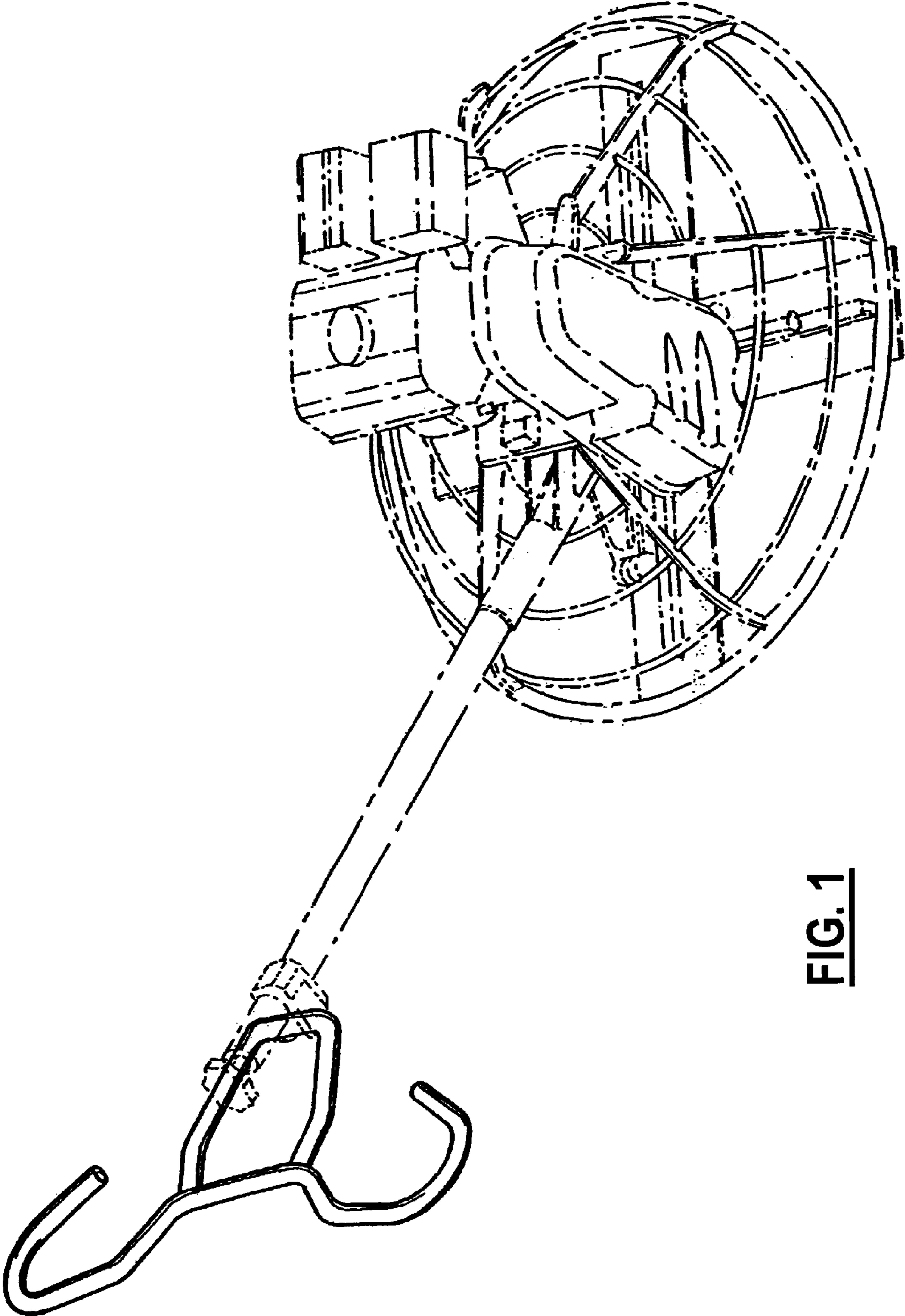


FIG. 1

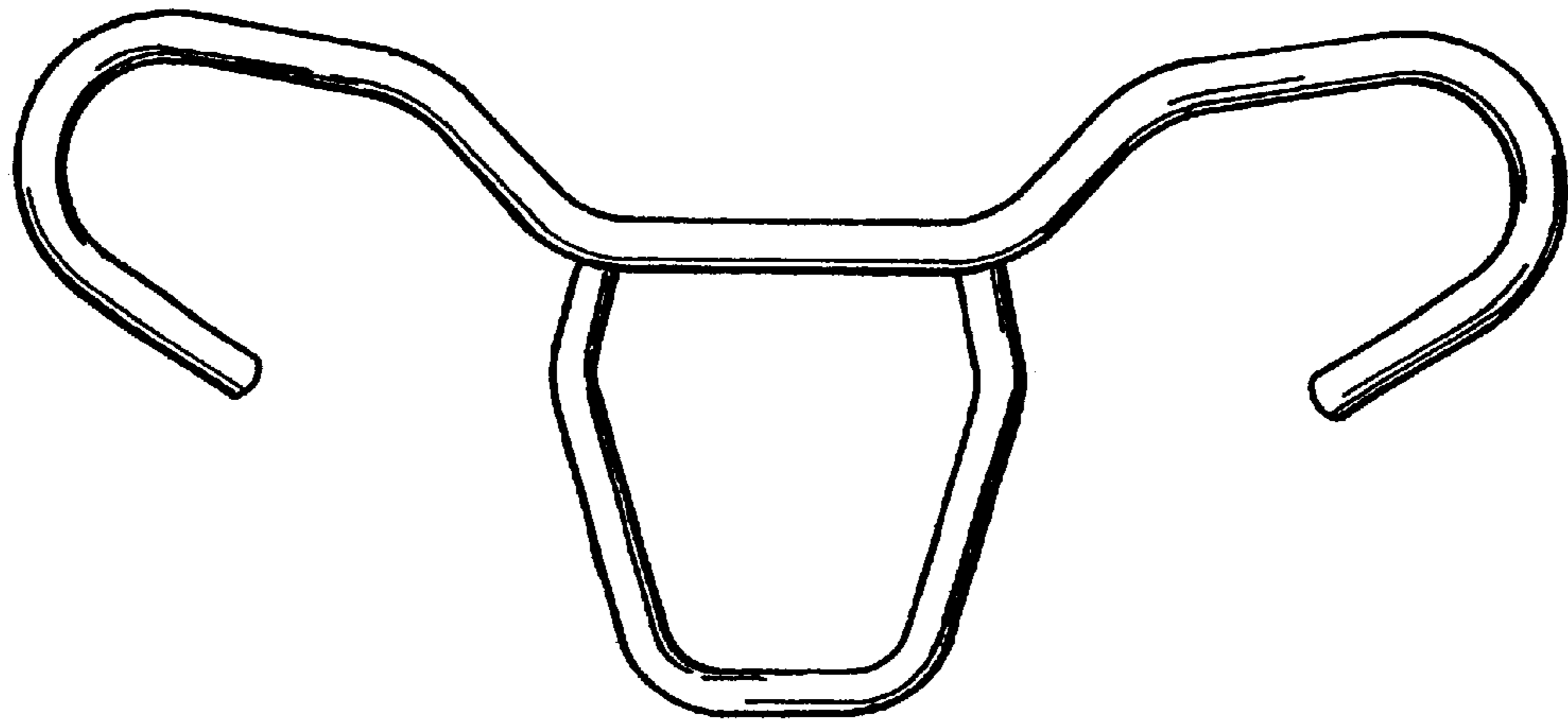


FIG. 2

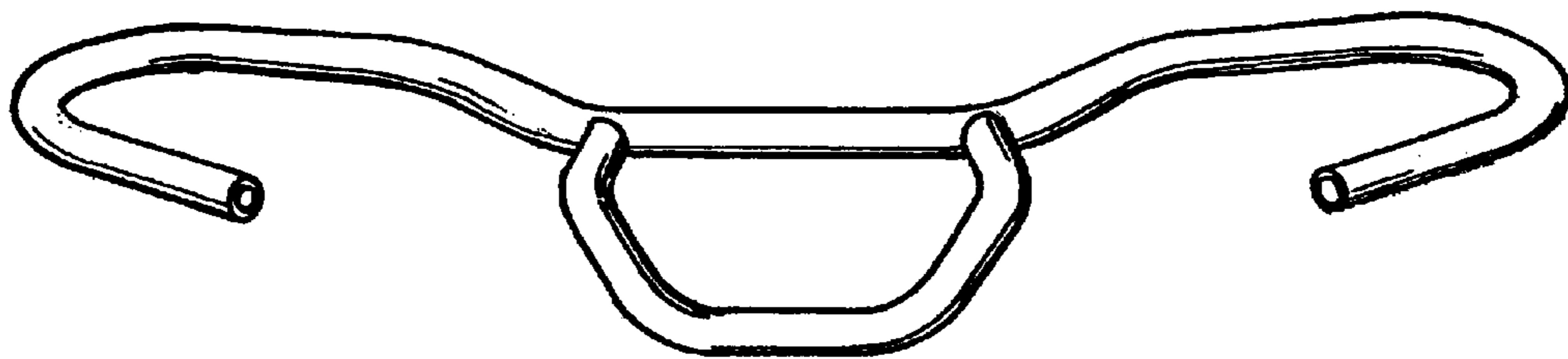


FIG. 3

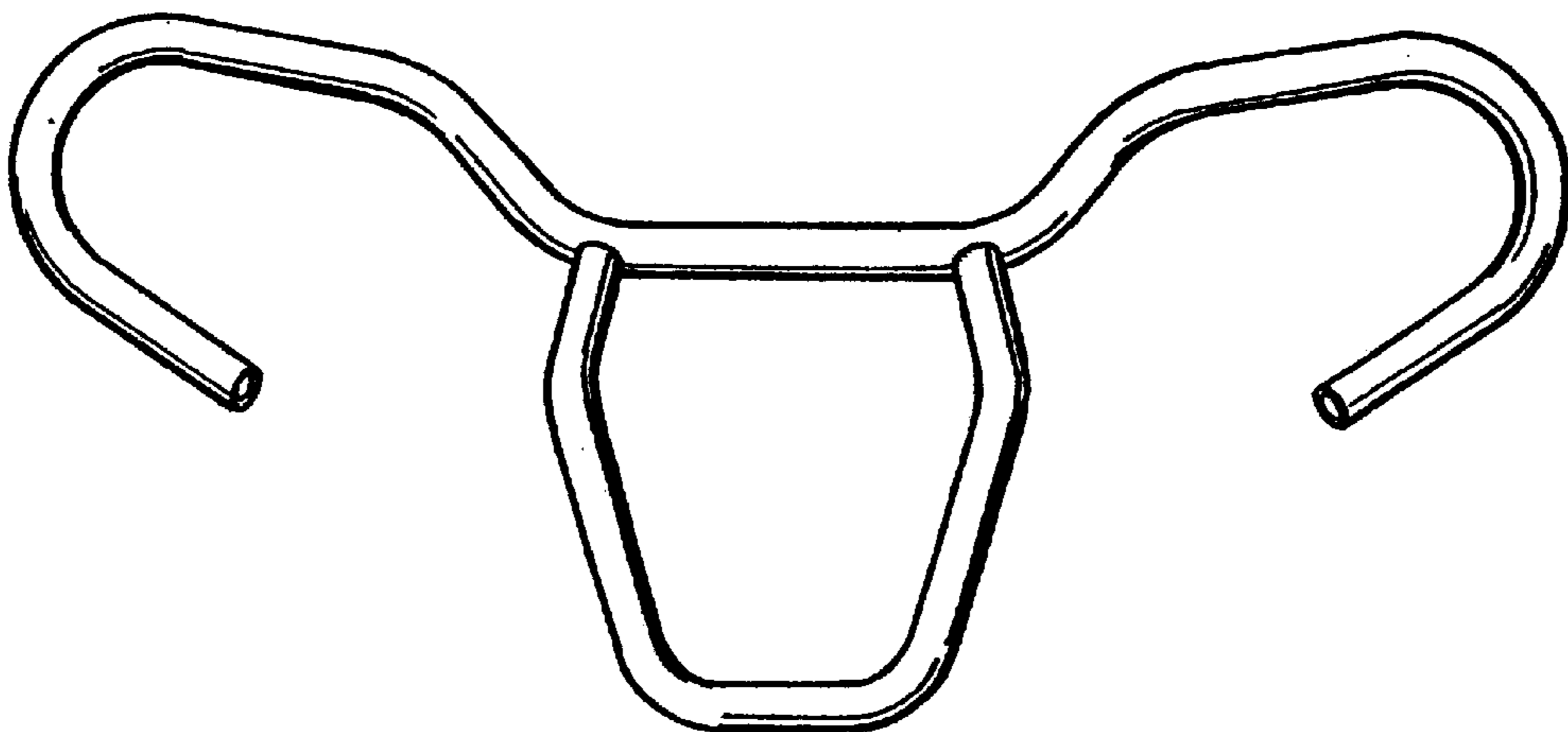


FIG. 4

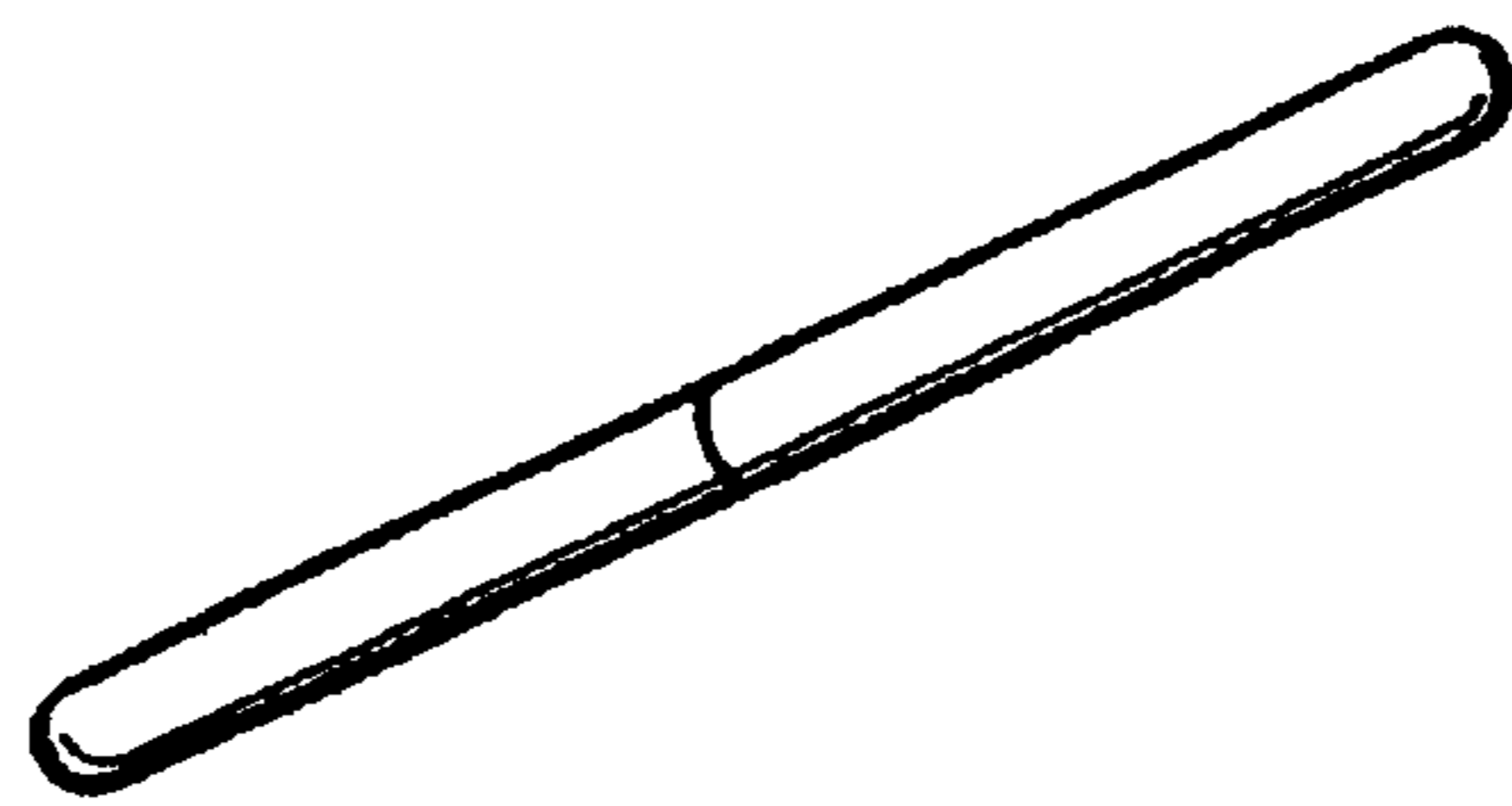


FIG. 5

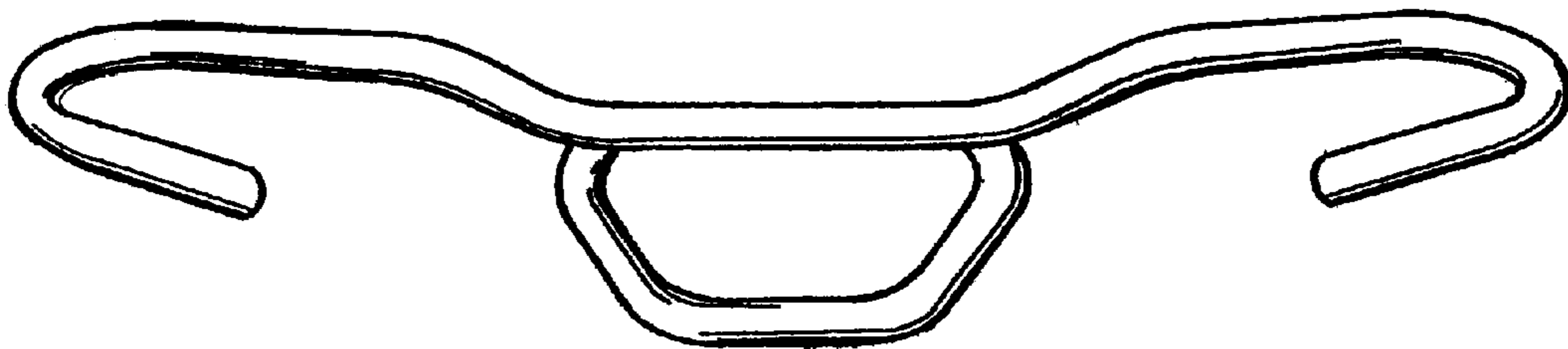


FIG. 6