



US00D501632S

(12) **United States Design Patent**
Hewett et al.

(10) **Patent No.:** **US D501,632 S**
(45) **Date of Patent:** **** Feb. 8, 2005**

(54) **VENTED SHIELD FOR A PLASMA ARC TORCH**

(75) Inventors: **Roger W. Hewett**, Plainfield, NH (US);
Jonathan Brasseur, Cornish, NH (US);
William M. Wakefield, Sr., Windsor, VT (US); **Walter Stark**, Enfield, NH (US)

(73) Assignee: **Thermal Dynamics Corporation**, West Lebanon, NH (US)

(**) Term: **14 Years**

(21) Appl. No.: **29/175,105**

(22) Filed: **Jan. 30, 2003**

(51) **LOC (7) Cl.** **08-05**

(52) **U.S. Cl.** **D8/30**

(58) **Field of Search** D8/29.1, 30; D15/144;
219/75, 121.48, 121.5, 121.51

(56) **References Cited**

U.S. PATENT DOCUMENTS

4,864,099 A * 9/1989 Cusick et al. 219/137.62

4,891,489 A * 1/1990 Bollinger et al. 219/121.48
5,597,497 A * 1/1997 Dean et al. 219/121.48
5,856,647 A * 1/1999 Luo 219/121.5
5,965,040 A * 10/1999 Luo et al. 219/121.5
6,025,574 A * 2/2000 Colangelo, Jr. 219/137.31
6,078,023 A * 6/2000 Jones et al. 219/137.63
6,163,008 A * 12/2000 Roberts et al. 219/121.48

* cited by examiner

Primary Examiner—Philip S. Hyder

(74) *Attorney, Agent, or Firm*—Harness, Dickey & Pierce, P.L.C.

(57) **CLAIM**

The ornamental design for a vented shield for a plasma arc torch, as shown and described.

DESCRIPTION

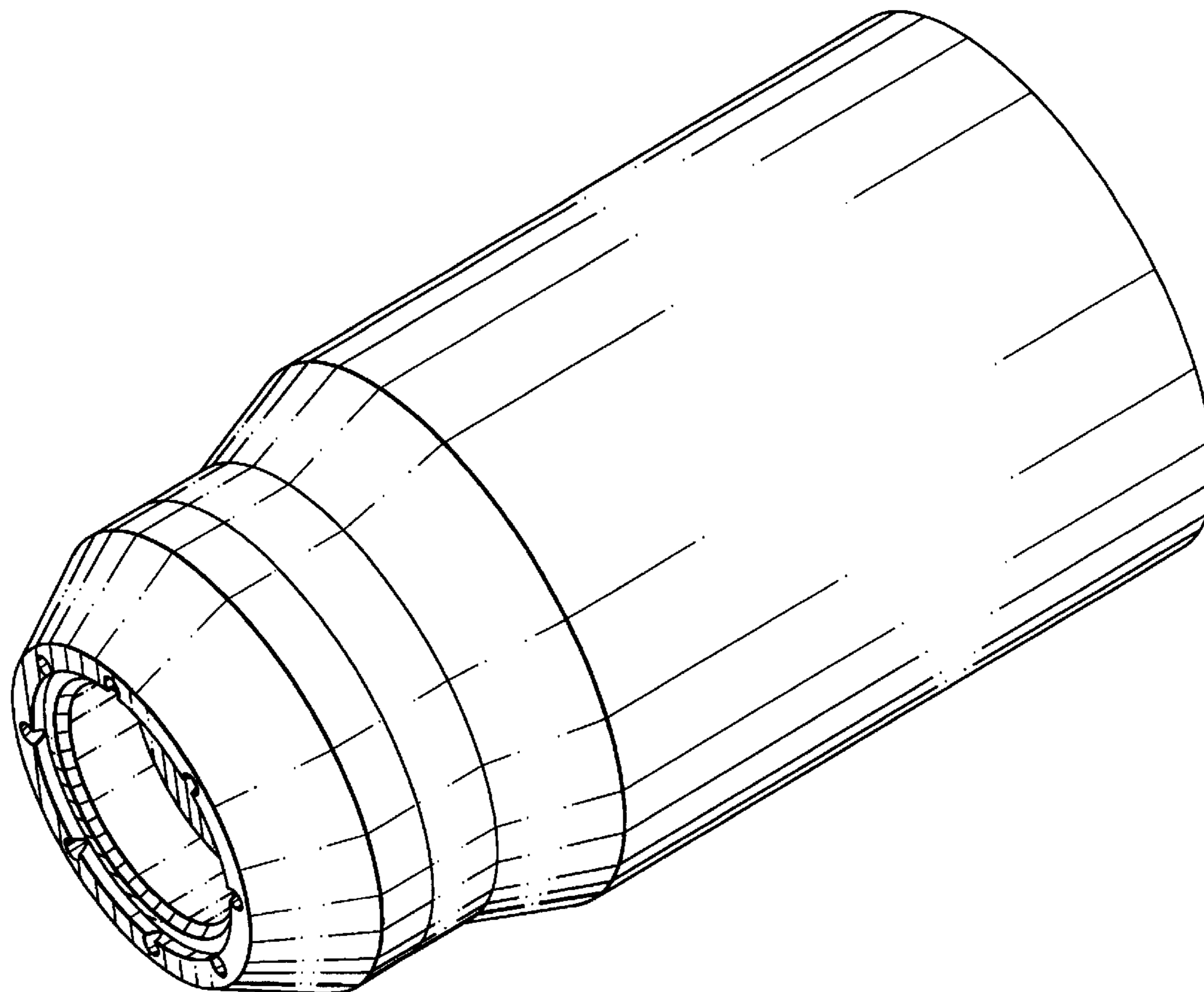
FIG. 1 is a perspective view of the vented shield for a plasma arc torch;

FIG. 2 is a side elevation view thereof;

FIG. 3 is a top plan view thereof; and,

FIG. 4 is a bottom plan view thereof.

1 Claim, 3 Drawing Sheets



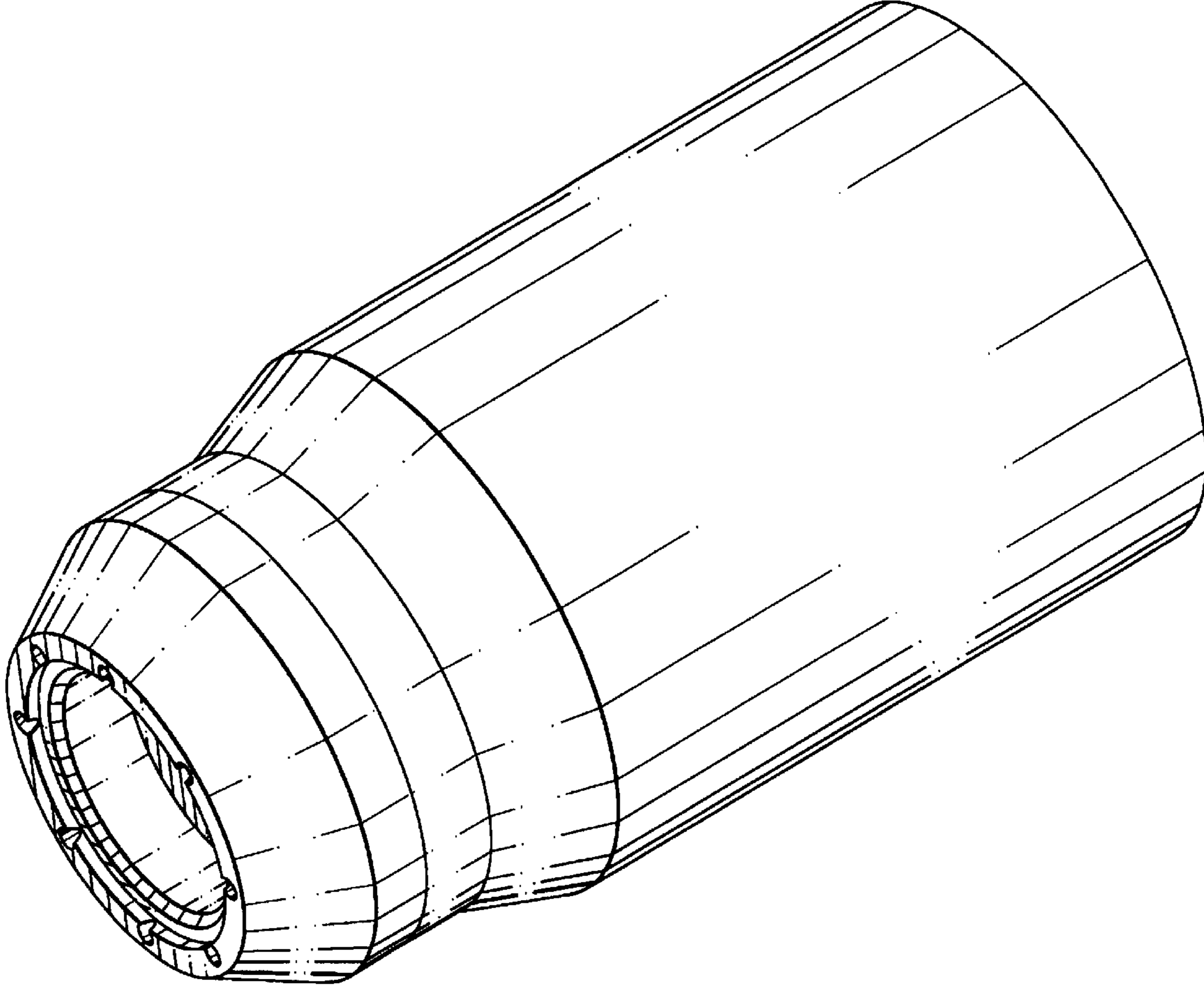


FIG. 1

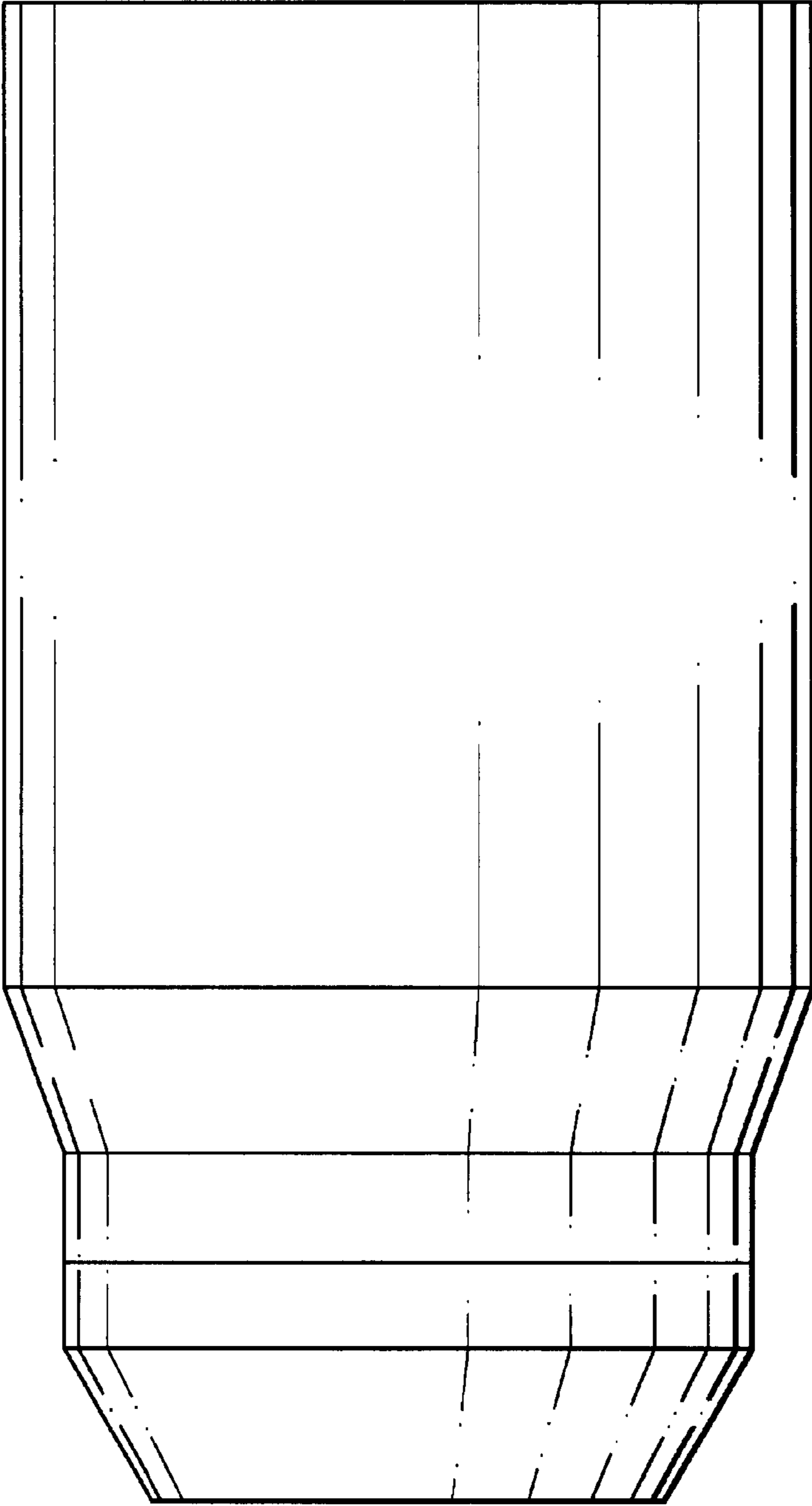


FIG. 2

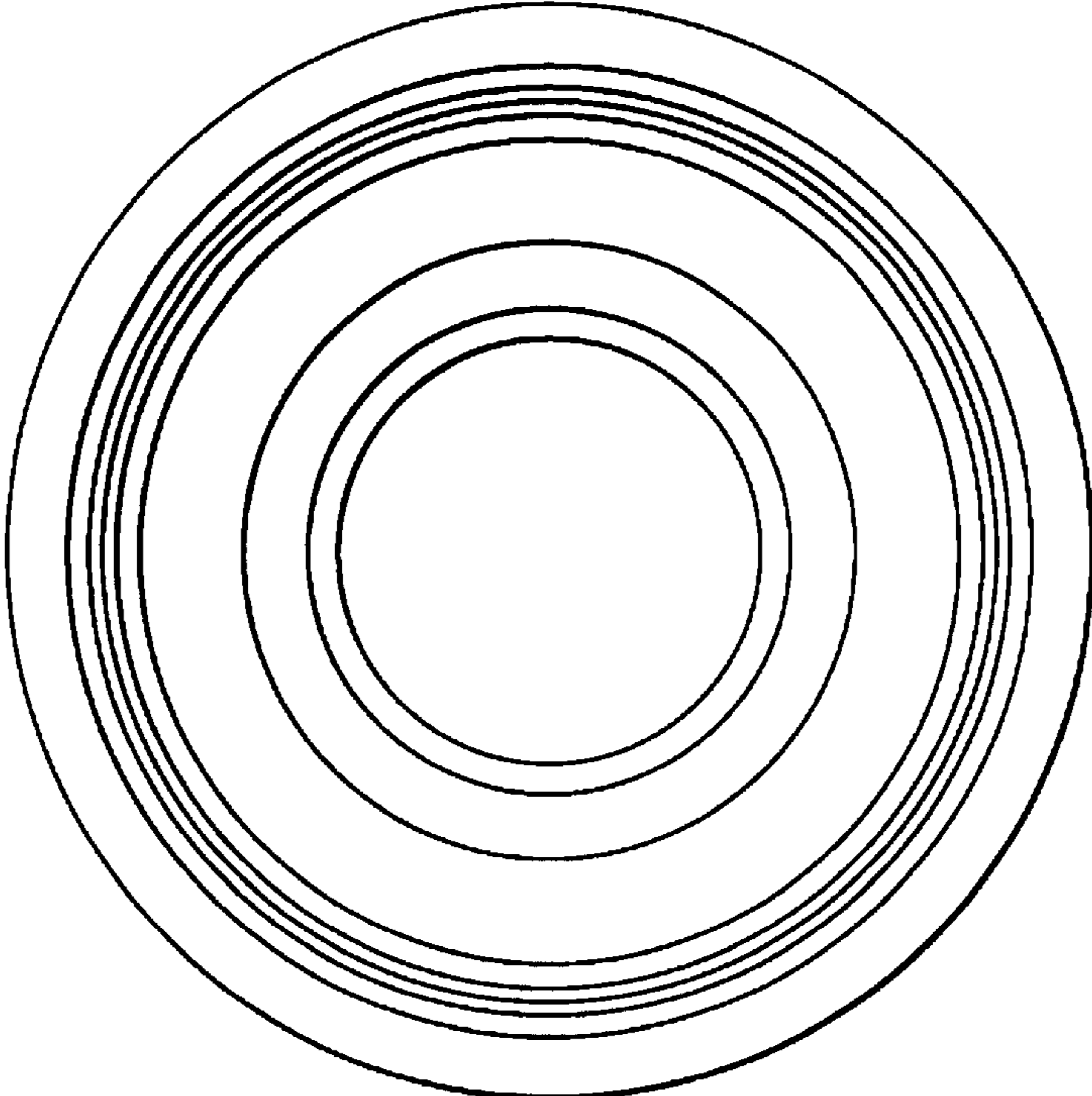


FIG. 3

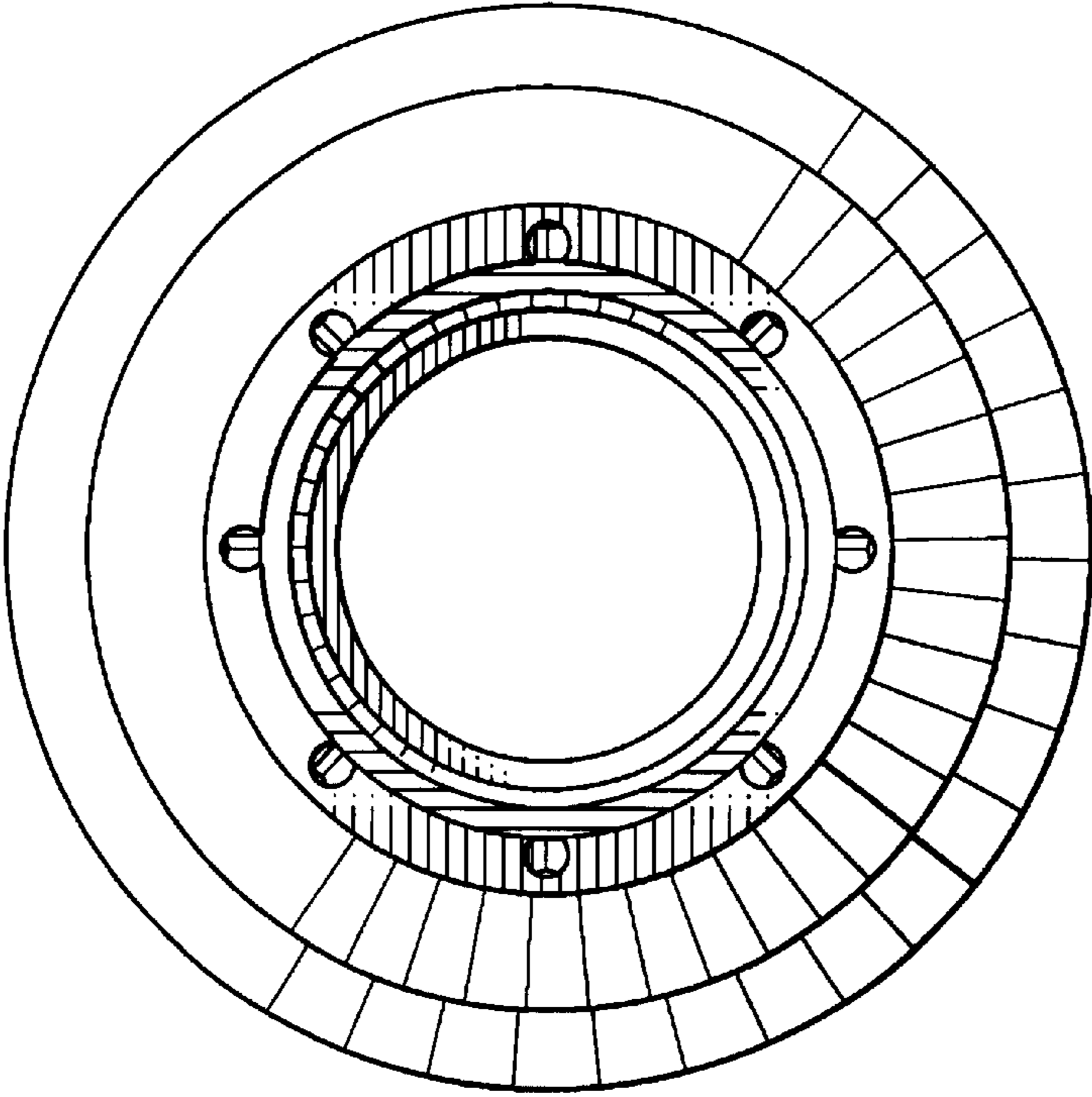


FIG. 4