

US00D501631S

(12) **United States Design Patent**
Sulier

(10) **Patent No.:** **US D501,631 S**

(45) **Date of Patent:** **** Feb. 8, 2005**

(54) **FORK GRILLING UTENSIL**

(76) **Inventor:** **Cornelius W. Sulier**, 111 Conn Ter.,
Lexington, KY (US) 40503

(**) **Term:** **14 Years**

(21) **Appl. No.:** **29/168,516**

(22) **Filed:** **Oct. 3, 2002**

(51) **LOC (7) Cl.** **07-02**

(52) **U.S. Cl.** **D7/683**

(58) **Field of Search** D7/653, 683, 684,
D7/688; 294/7, 8, 55; 30/322, 323; 7/110,
112, 115

(56) **References Cited**

U.S. PATENT DOCUMENTS

512,162 A * 1/1894 Cuddy 7/112
3,213,779 A * 10/1965 First 294/7
3,688,483 A * 9/1972 Hamilton 294/55

4,196,928 A * 4/1980 Spangler 294/55
4,848,816 A * 7/1989 Anderson 294/7
6,068,312 A * 5/2000 Hills 294/7

* cited by examiner

Primary Examiner—Terry A. Wallace

(74) *Attorney, Agent, or Firm*—Kenneth F. Pearce

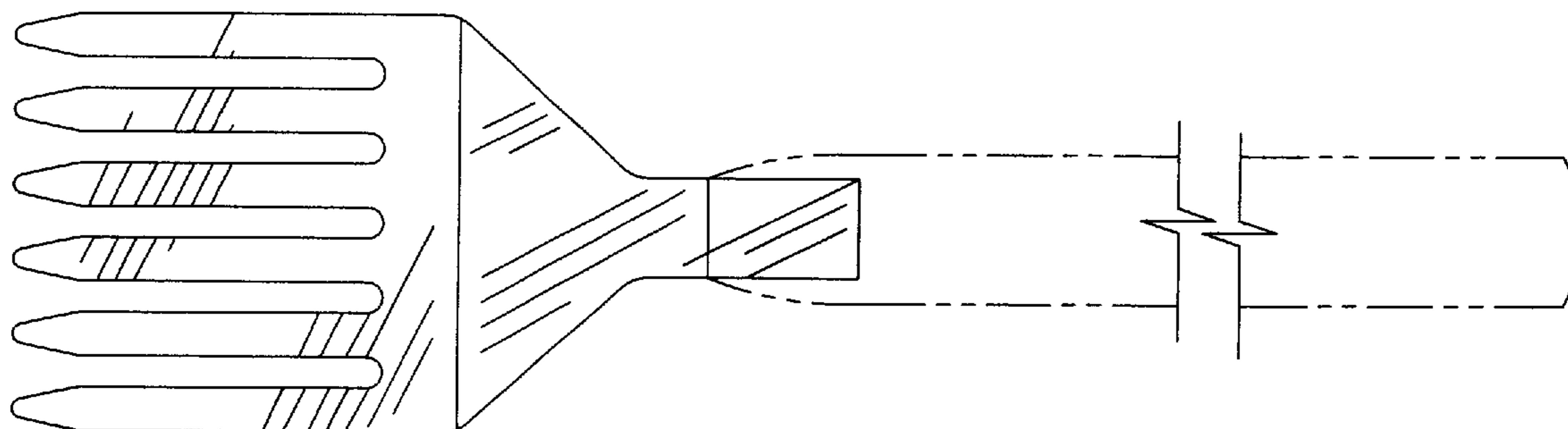
(57) **CLAIM**

The ornamental design for a fork grilling utensil, as shown and described.

DESCRIPTION

FIG. 1 is a top view of the fork grilling utensil.
FIG. 2 is a front view of the fork grilling utensil.
FIG. 3 is a profile side view of the fork grilling utensil; and,
FIG. 4 is a bottom view of the fork grilling utensil.
The broken lines are for illustrative purposes only and form no part of the claimed design.

1 Claim, 1 Drawing Sheet



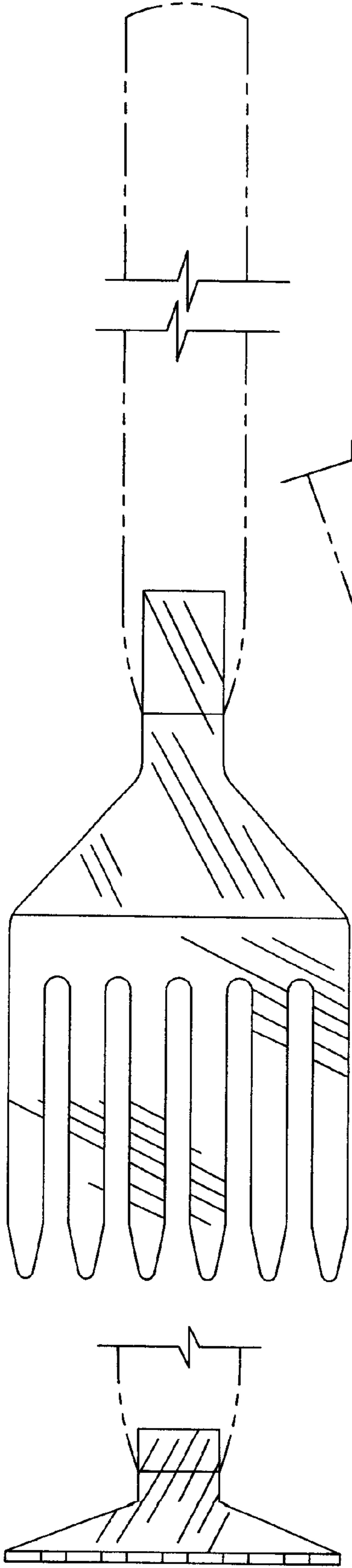


FIGURE 2

FIGURE 1

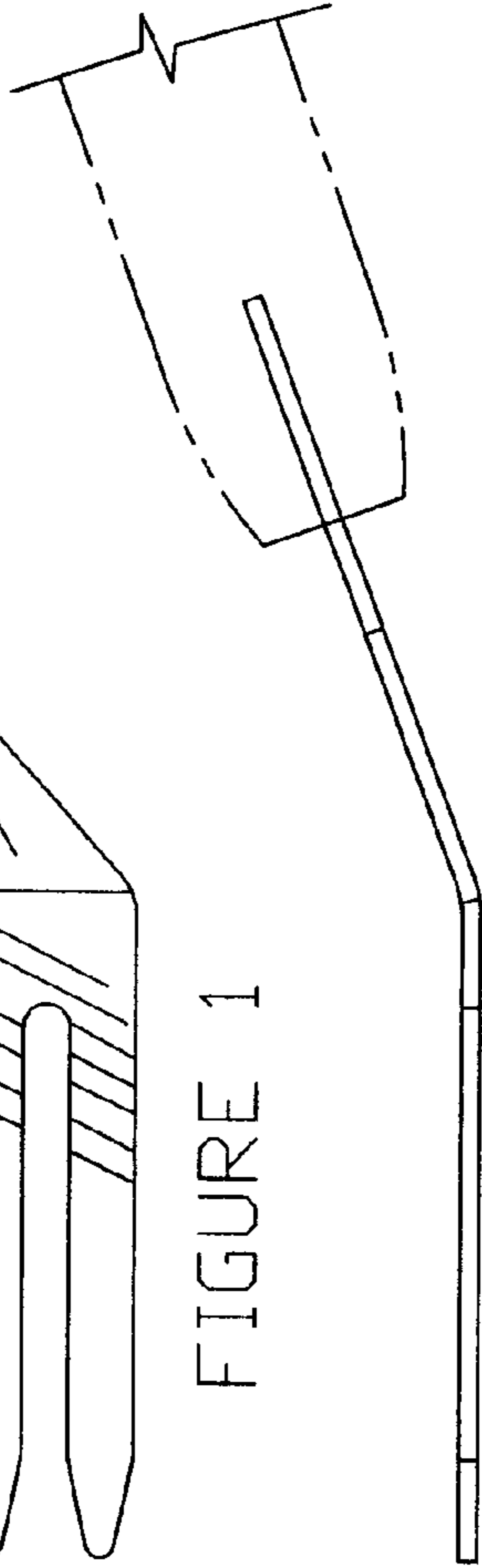


FIGURE 3

FIGURE 4