

US00D501627S

(12) **United States Design Patent**
Poupel

(10) **Patent No.:** **US D501,627 S**
(45) **Date of Patent:** **** Feb. 8, 2005**

(54) **FLATWARE HANDLE**

(75) **Inventor:** **Lucas Poupel, Thiers (FR)**

(73) **Assignee:** **Couzon S.A., Puy-de-Dome (FR)**

(**) **Term:** **14 Years**

(21) **Appl. No.:** **29/164,479**

(22) **Filed:** **Jul. 24, 2002**

(51) **LOC (7) Cl.** **07-03**

(52) **U.S. Cl.** **D7/401.2; D7/649**

(58) **Field of Search** **D7/642-645, 653-664,**
D7/401.2; 30/147-150, 322-329; D8/98,
107

(56) **References Cited**

U.S. PATENT DOCUMENTS

D140,264 S	*	2/1945	Farber	D7/647
D140,274 S	*	2/1945	Farber	D7/653
D472,108 S	*	3/2003	Toffolon	D7/642
D474,079 S	*	5/2003	Hanners et al.	D7/645

* cited by examiner

Primary Examiner—Caron D. Veynar

(74) *Attorney, Agent, or Firm*—Abelman, Frayne & Schwab

(57) **CLAIM**

The ornamental design for flatware handle, as shown and described.

DESCRIPTION

FIG. 1 shows a left side elevation view of a flatware handle showing my new design, and mounted on a knife end shown in phantom with broken lines.

FIG. 2 shows a bottom plan view thereof.

FIG. 3 shows a front elevation view thereof.

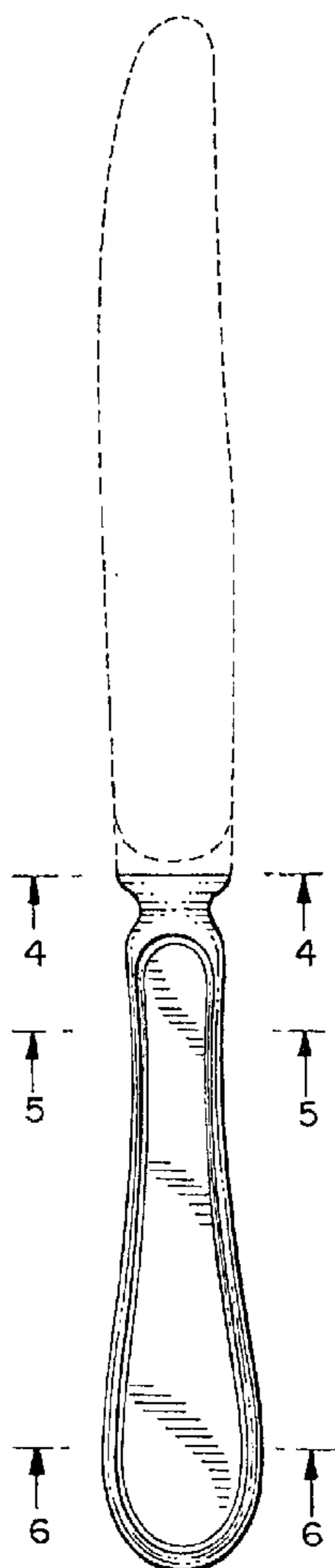
FIG. 4 shows a cross-section view of FIG. 1 taken along lines 4—4.

FIG. 5 shows a cross-section view of FIG. 1 taken along lines 5—5; and,

FIG. 6 shows a cross-section view of FIG. 1 taken along lines 6—6.

The broken lines in the figures are for illustrative purposes only and are not part of the claimed design.

1 Claim, 2 Drawing Sheets



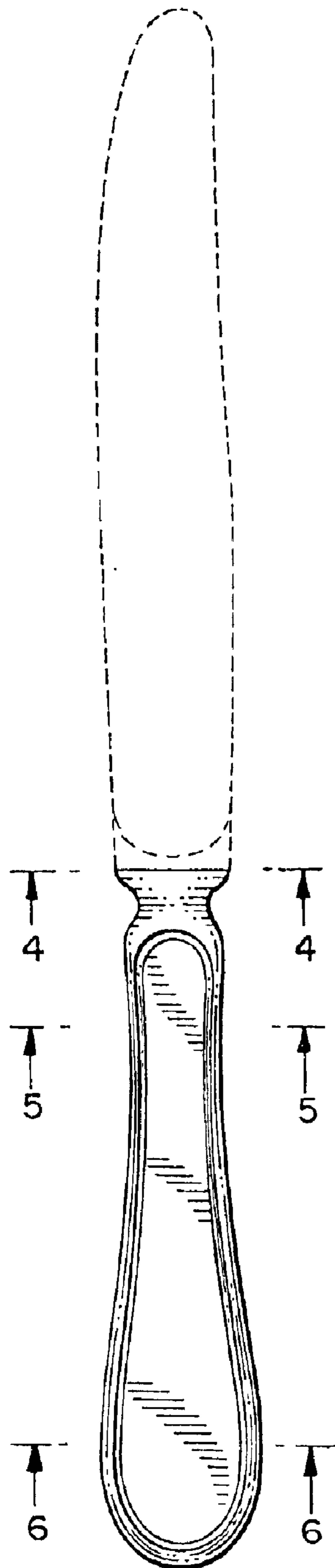


FIG. 2

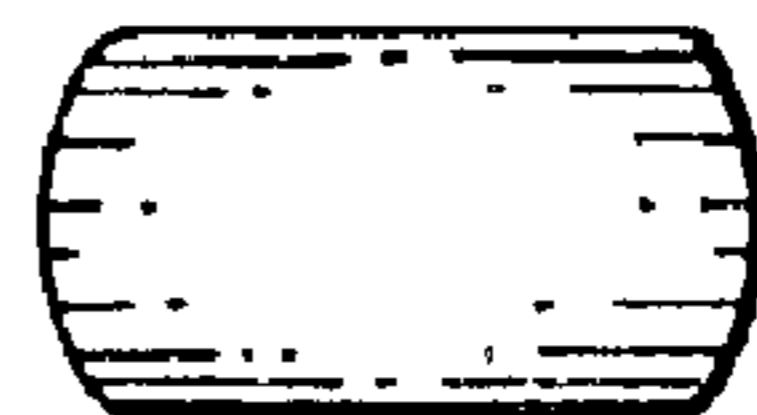


FIG. 1



FIG. 3

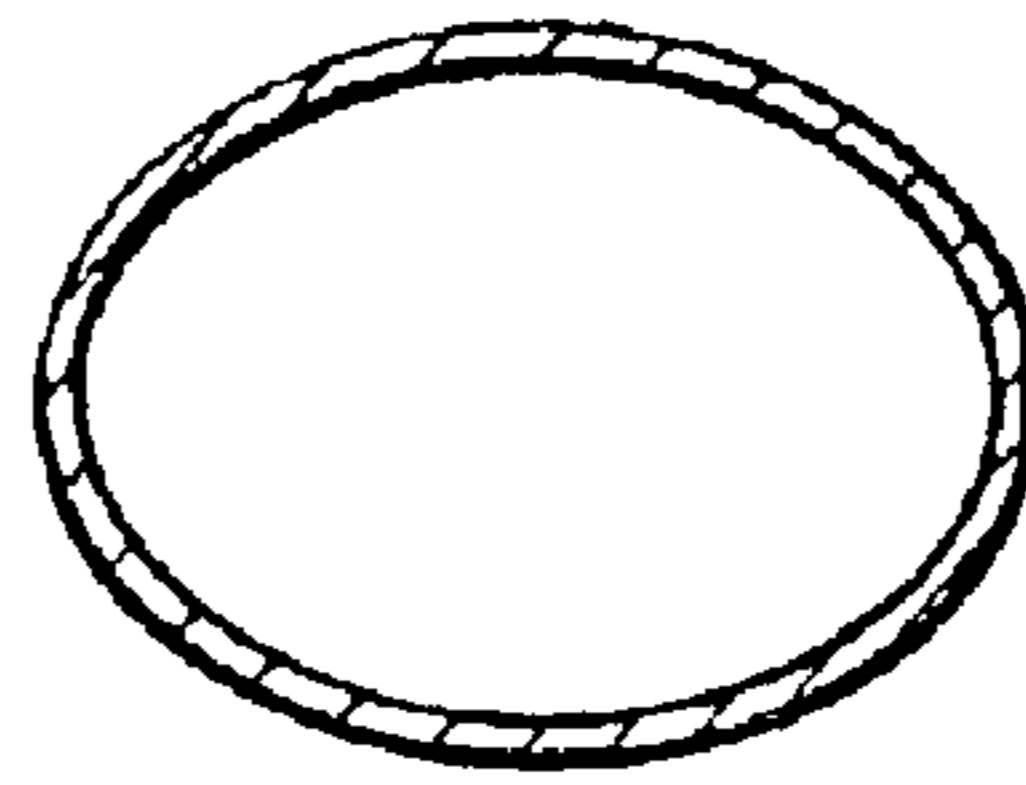


FIG. 4

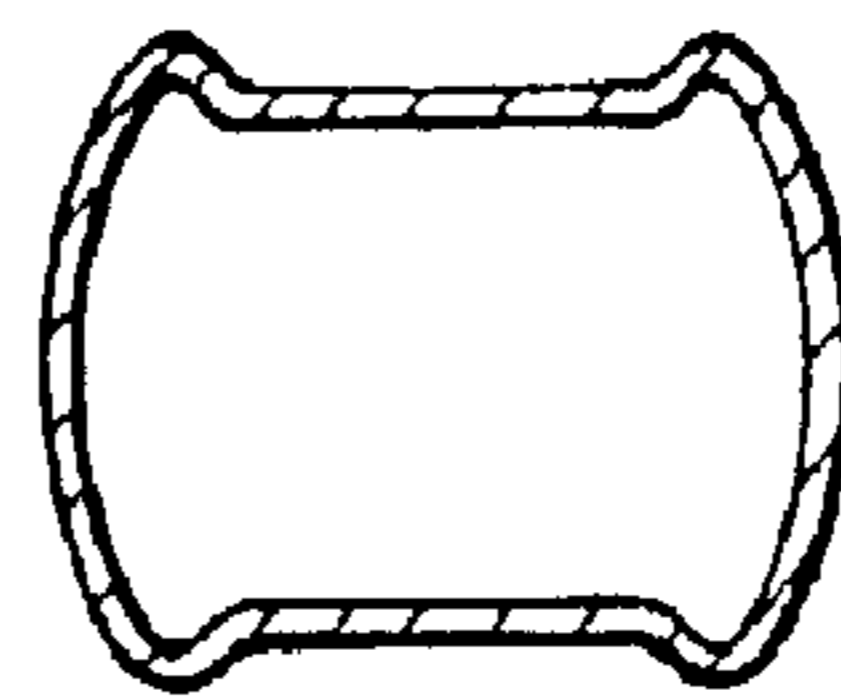


FIG. 5

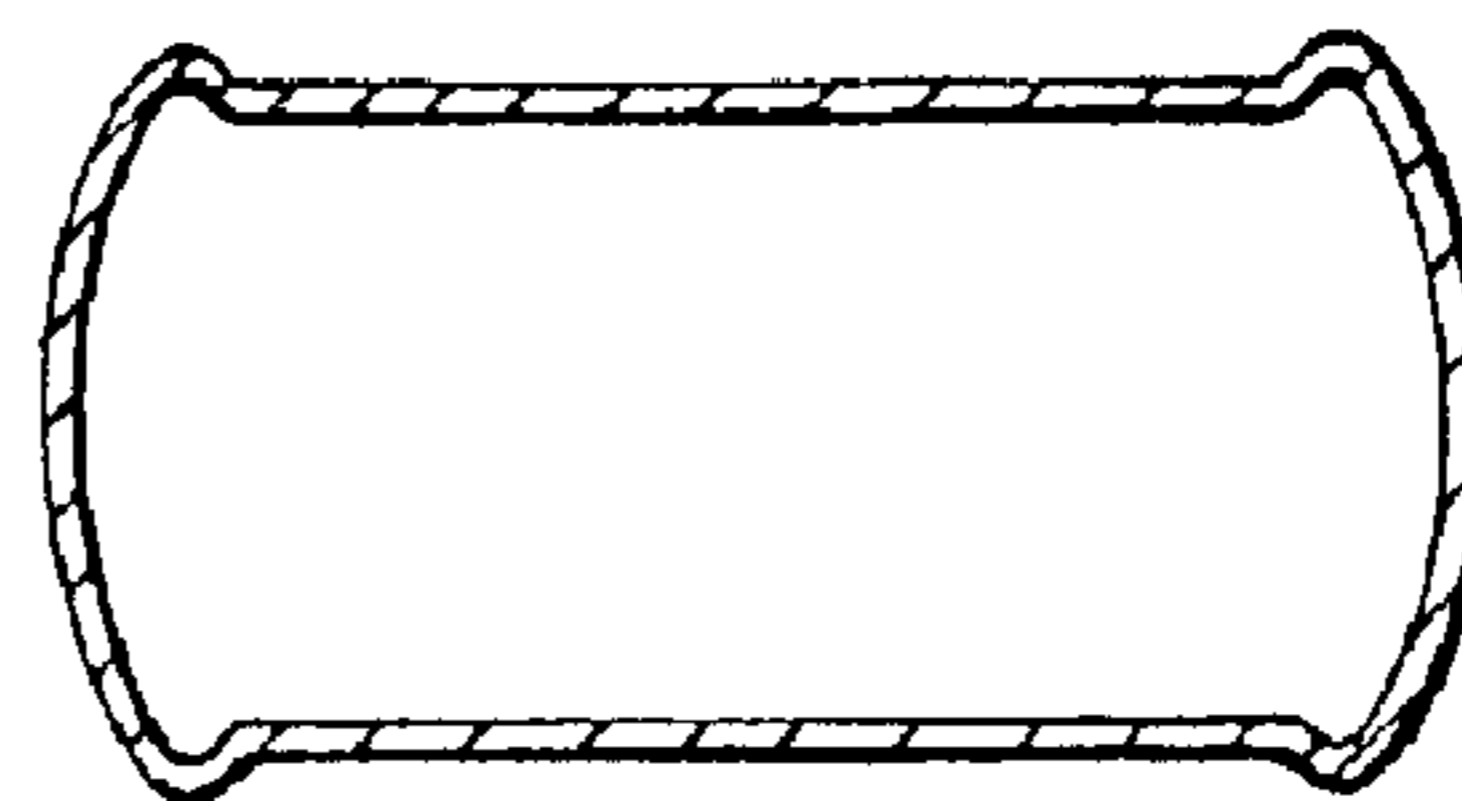


FIG. 6