

US00D501624S

(12) **United States Design Patent**
Kaposi

(10) **Patent No.: US D501,624 S**
(45) **Date of Patent: ** Feb. 8, 2005**

(54) **MICROWAVE PITCHER**
(75) **Inventor: Sascha Kaposi, Tacoma, WA (US)**
(73) **Assignee: Progressive International Corporation, Kent, WA (US)**
(**) **Term: 14 Years**

D398,474 S * 9/1998 Wagner D7/305
D439,790 S * 4/2001 Matsushita et al. D7/319
D440,110 S * 4/2001 Tanner et al. D7/319
D445,628 S * 7/2001 McGroary D7/318
D464,522 S * 10/2002 OaConnor et al. D7/319
D475,233 S * 6/2003 De Visser D7/317
D480,593 S * 10/2003 Nybakke D7/319
D492,879 S * 7/2004 Allemand D7/318

* cited by examiner

(21) **Appl. No.: 29/206,977**
(22) **Filed: Jun. 4, 2004**

Primary Examiner—M. N. Pandozzi
(74) *Attorney, Agent, or Firm*—Black Lowe Graham

(51) **LOC (7) Cl. 07-01**
(52) **U.S. Cl. D7/318; D7/317**
(58) **Field of Search D7/305, 312, 316, D7/317, 318, 319, 600, 62; D10/46.2; 222/465.1, 131; 210/180; 220/504, 509; 215/398.6; 141/370**

(57) **CLAIM**

The ornamental design for a microwave pitcher, as shown and described.

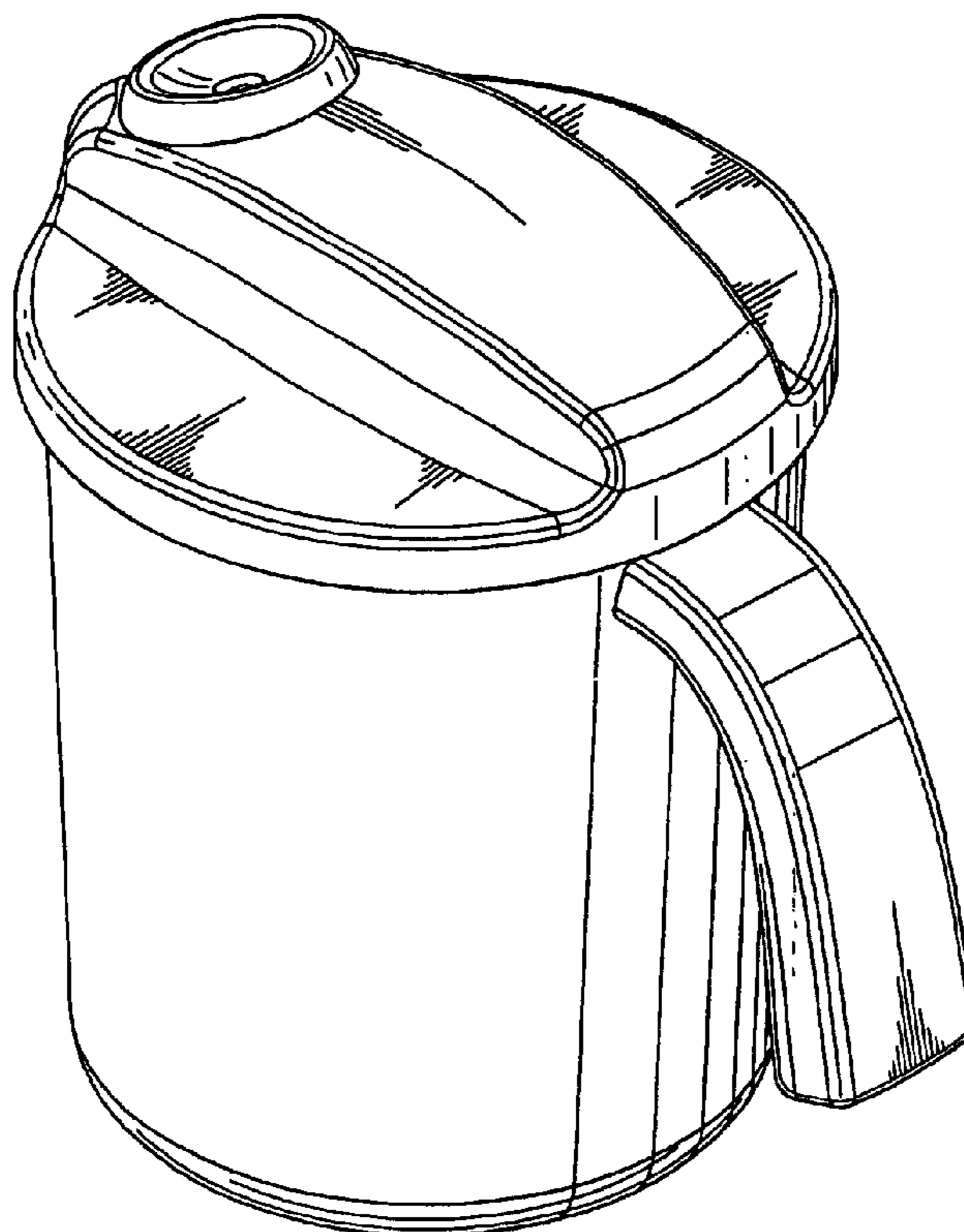
DESCRIPTION

FIG. 1 is a perspective view of the microwave pitcher; FIG. 2 is a left side view of the microwave pitcher, the right side view being a mirror image; FIG. 3 is a front view of the microwave pitcher; FIG. 4 is a back view of the microwave pitcher; FIG. 5 is a top view of the microwave pitcher; and, FIG. 6 is a bottom view of the microwave pitcher.

(56) **References Cited**
U.S. PATENT DOCUMENTS

2,786,495 A * 3/1957 Benson 141/370
D220,773 S * 5/1971 Dilyard D7/317
D255,531 S * 6/1980 Daenen et al. D10/46.2
4,948,499 A * 8/1990 Peranio 210/180
D338,591 S * 8/1993 Wyatt et al. D7/318

1 Claim, 5 Drawing Sheets



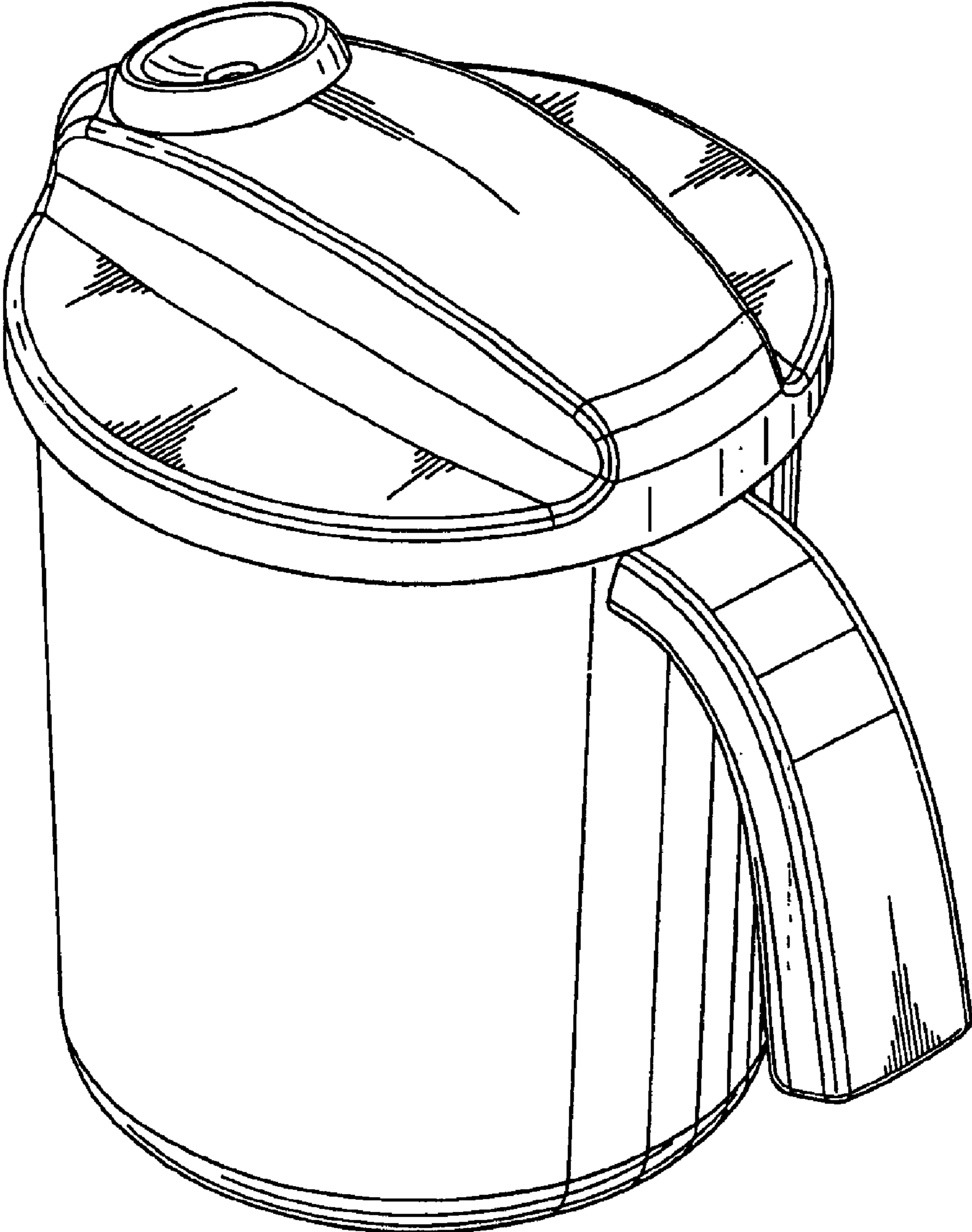


FIG. 1

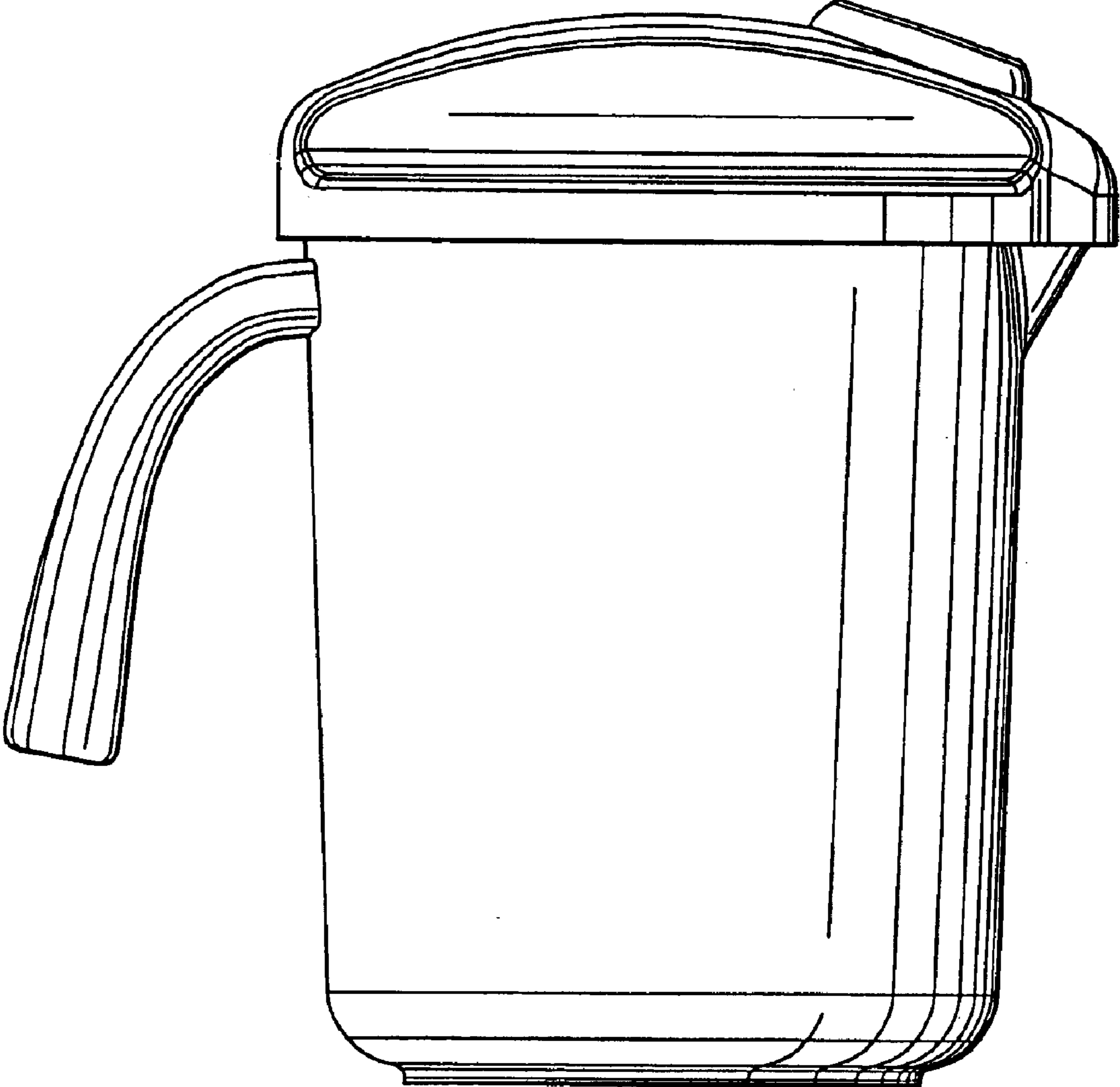


FIG. 2

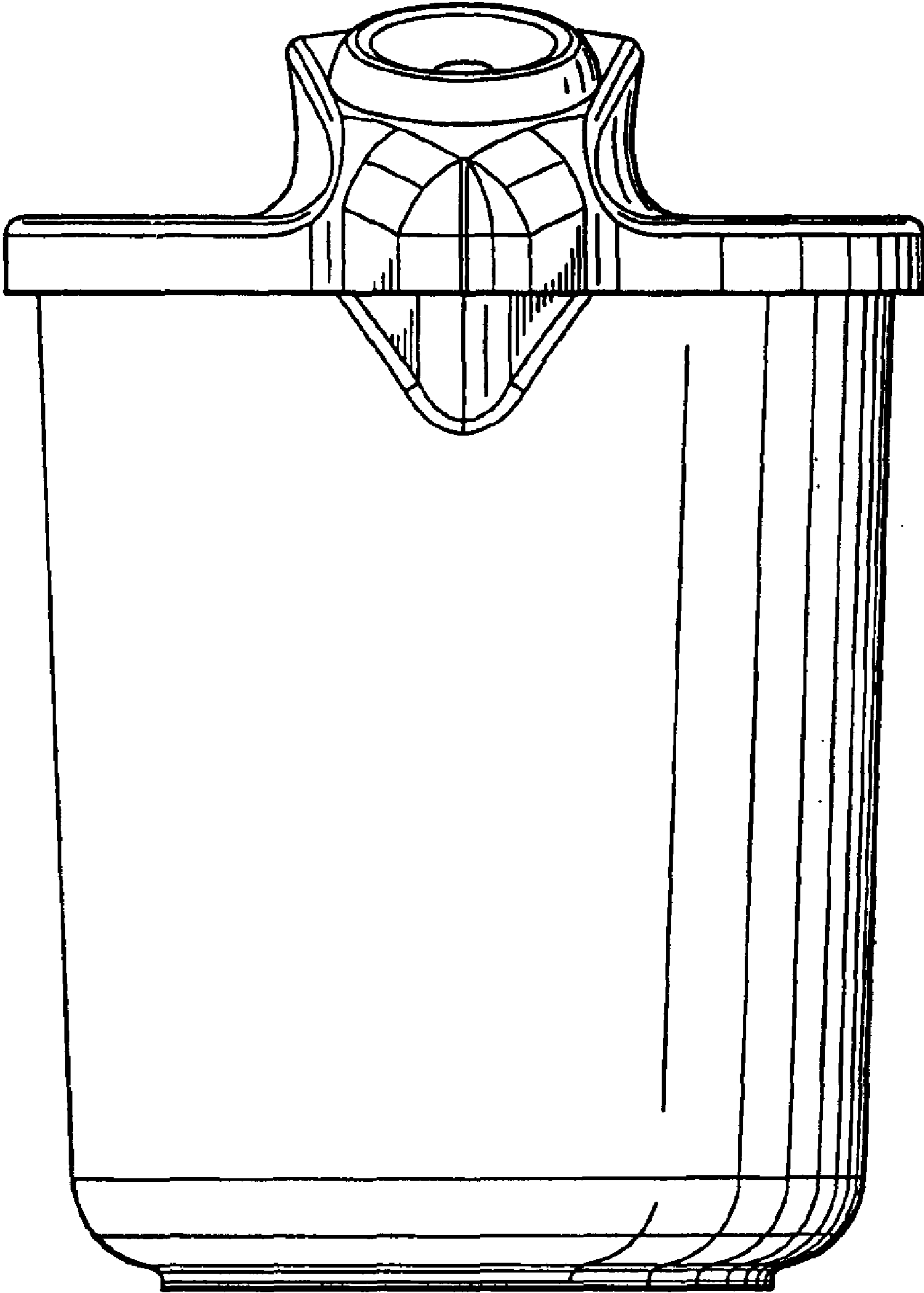


FIG. 3

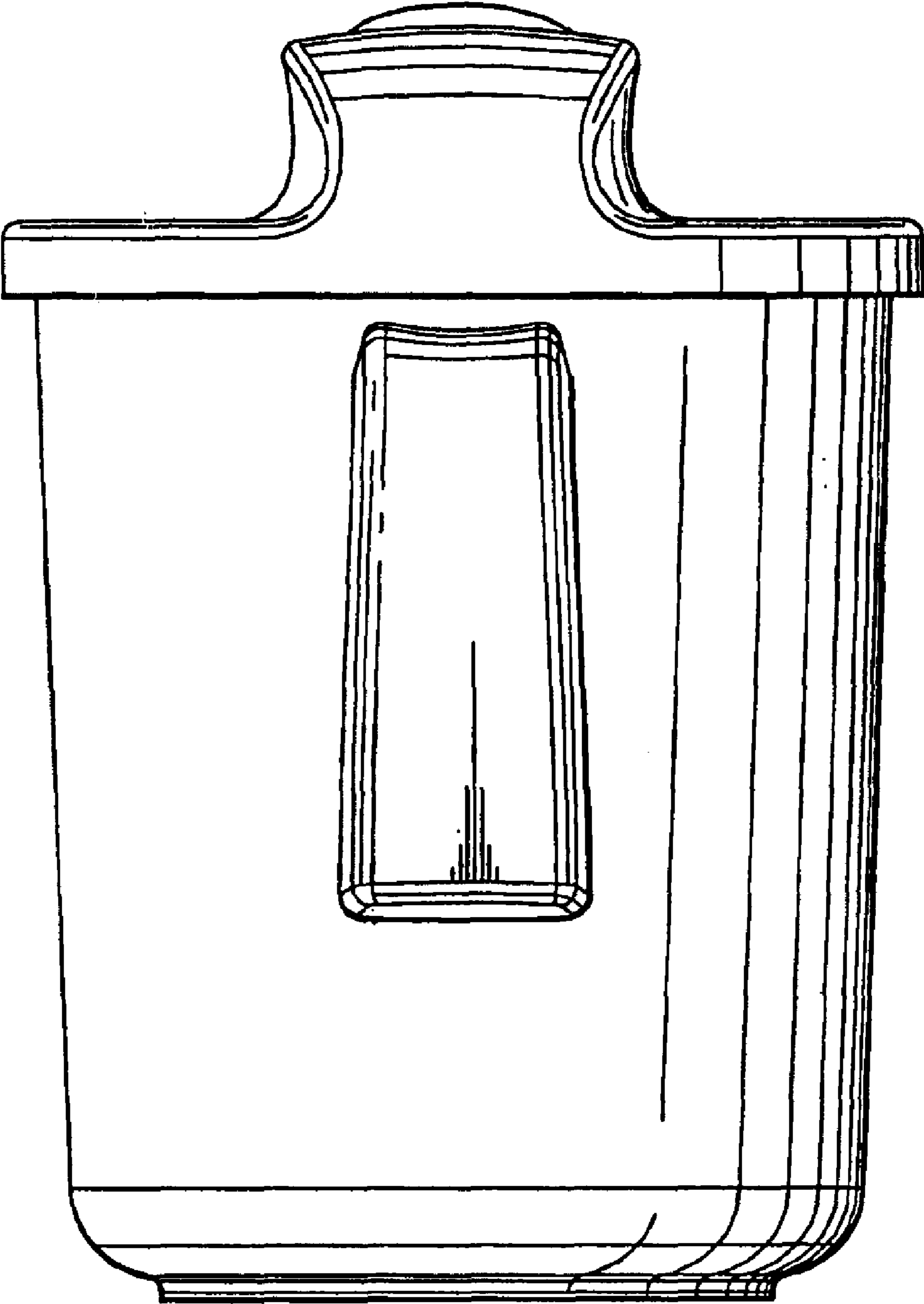


FIG. 4

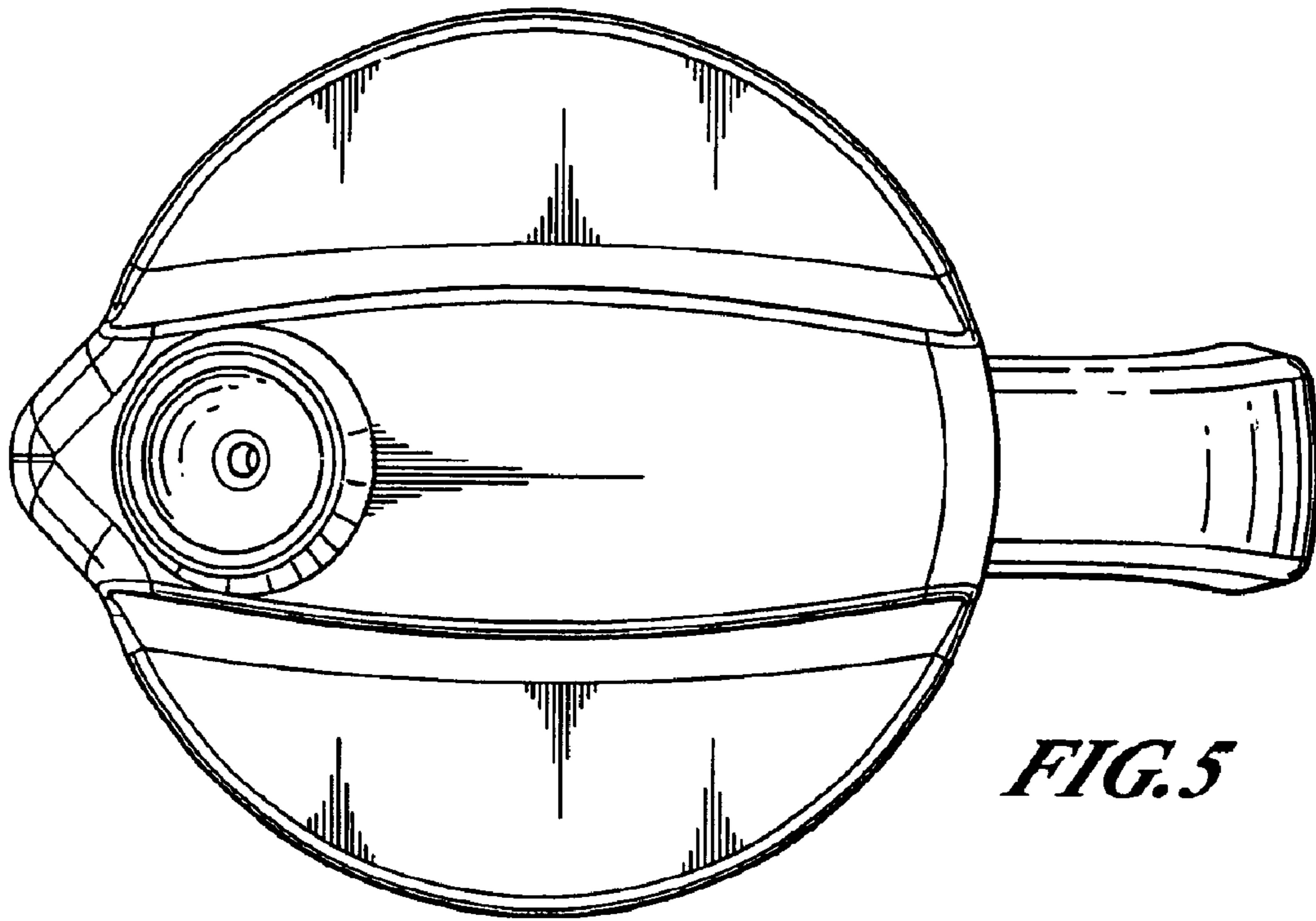


FIG. 5

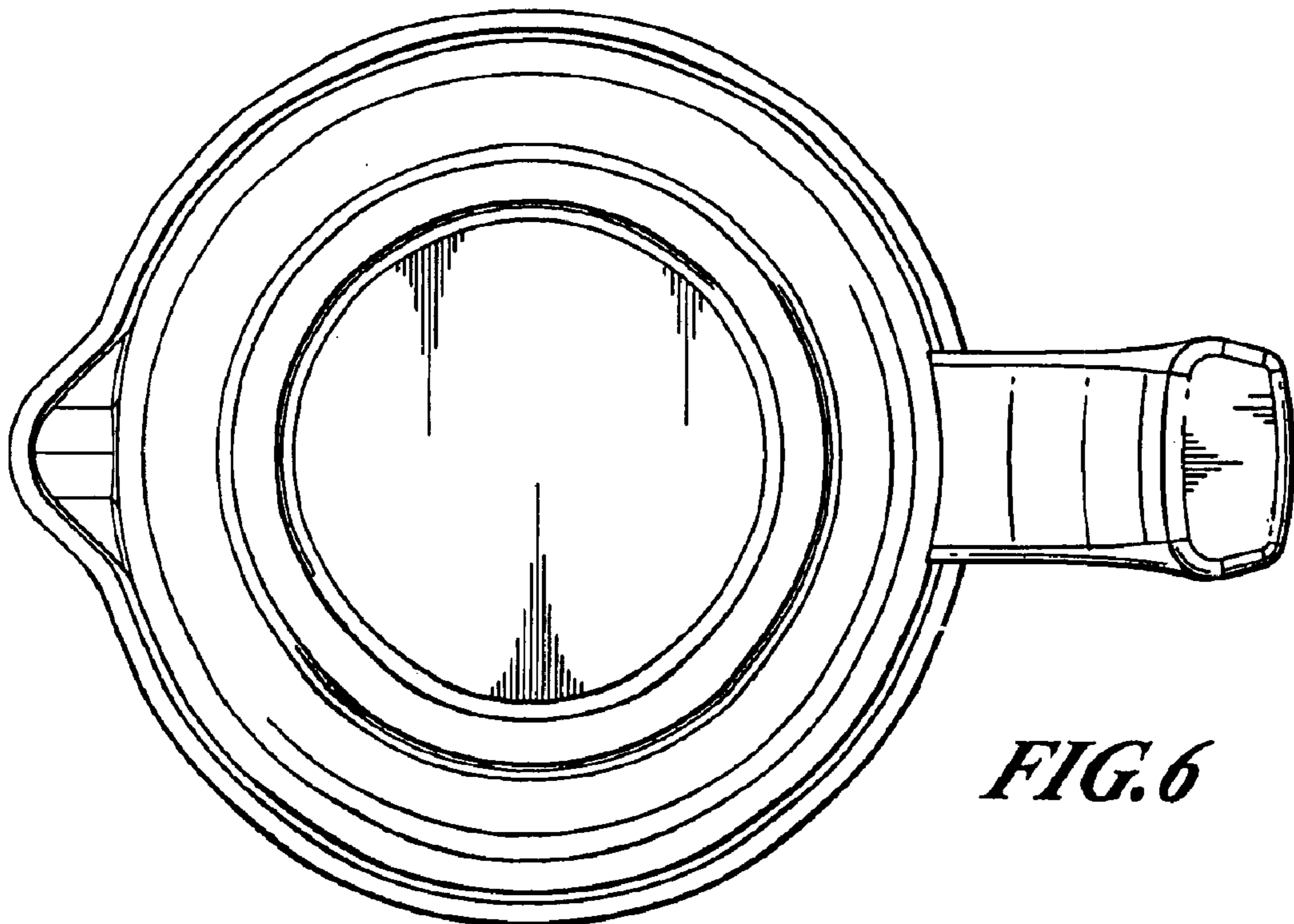


FIG. 6