



US00D501623S

(12) **United States Design Patent** (10) **Patent No.:** **US D501,623 S**
Lin (45) **Date of Patent:** **** Feb. 8, 2005**

(54) **COFFEE MAKER**
(75) **Inventor:** **Yu-Yuan Lin**, Tainan (TW)
(73) **Assignee:** **Uni-Splendor Corp.**, Tainan City (TW)
(**) **Term:** **14 Years**

D479,087 S * 9/2003 Yao D7/309
D481,902 S * 11/2003 O'Connor et al. D7/309
D484,733 S * 1/2004 Kling D7/309
D484,734 S * 1/2004 Drobeck D7/309
D485,728 S * 1/2004 Sham et al. D7/309
D486,346 S * 2/2004 Jönsson D7/309
D488,021 S * 4/2004 Price et al. D7/309
D489,217 S * 5/2004 Seum et al. D7/309

(21) **Appl. No.:** **29/189,044**
(22) **Filed:** **Aug. 28, 2003**

* cited by examiner

(51) **LOC (7) Cl.** **07-01**
(52) **U.S. Cl.** **D7/309; D7/311**
(58) **Field of Search** **D7/300, 309, 310,**
D7/311, 306; 99/279, 280, 285, 295, 304;
426/433, 435

Primary Examiner—M. N. Pandozzi
(74) *Attorney, Agent, or Firm*—Apex Juris, PLLC; Tracy M Heims

(57) **CLAIM**

The ornamental design for a coffee maker, as shown and described.

(56) **References Cited**

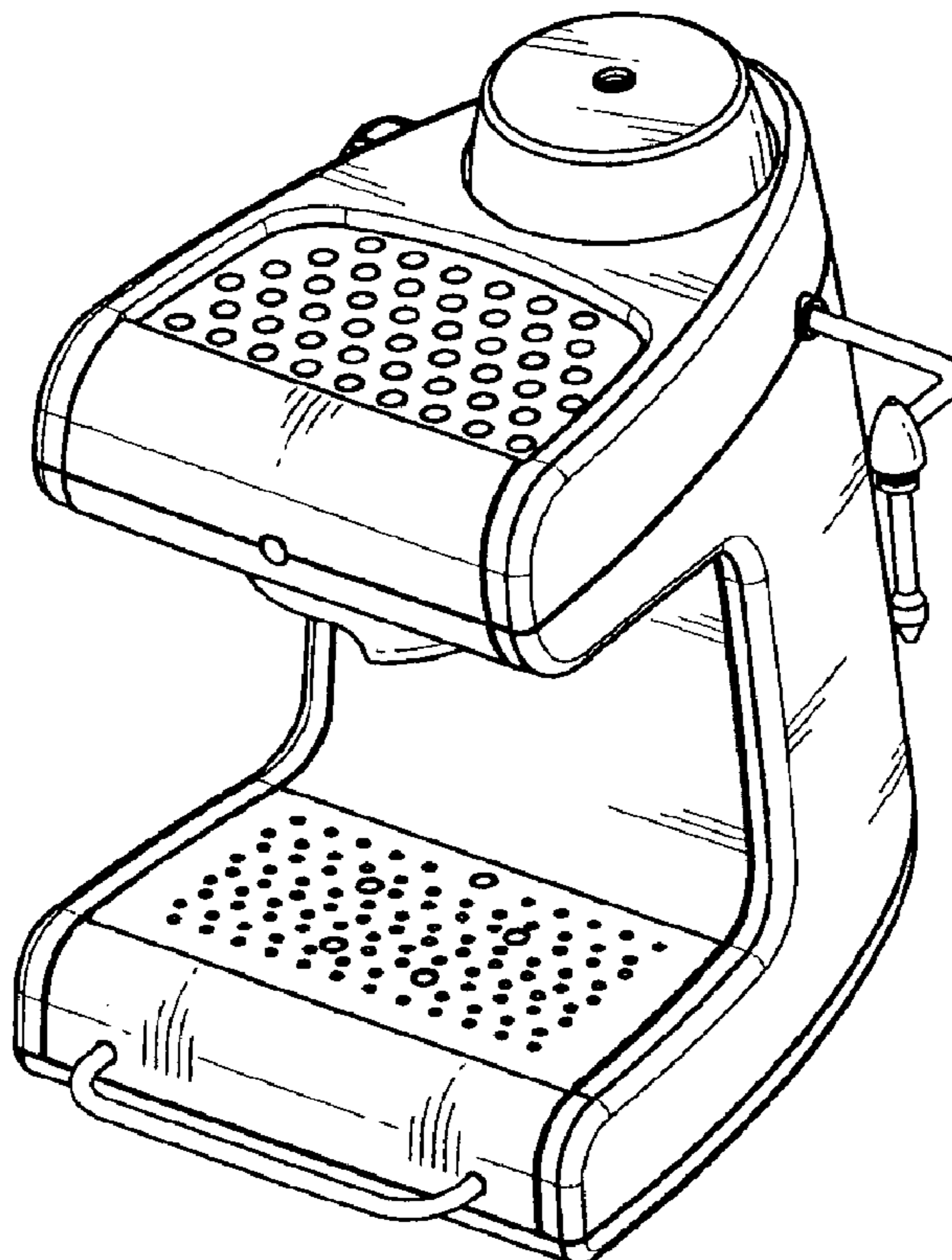
DESCRIPTION

U.S. PATENT DOCUMENTS

D299,999 S * 2/1989 Pandolfi D7/309
D411,403 S * 6/1999 Gudefin D7/309
D418,357 S * 1/2000 Lin D7/309
D427,002 S * 6/2000 Lin D7/309
D439,103 S * 3/2001 Cruz D7/309
D441,593 S * 5/2001 Gudefin D7/309
D446,989 S * 8/2001 Cruz D7/309
D457,376 S * 5/2002 Lin D7/309
D462,226 S * 9/2002 Williamson et al. D7/309

FIG. 1 is a perspective view of a coffee maker showing my new design;
FIG. 2 is a front side elevational view thereof;
FIG. 3 is a rear side elevational view thereof;
FIG. 4 is a left side elevational view thereof;
FIG. 5 is a right side elevational view thereof;
FIG. 6 is a top plan view thereof; and,
FIG. 7 is a bottom plan view thereof.

1 Claim, 4 Drawing Sheets



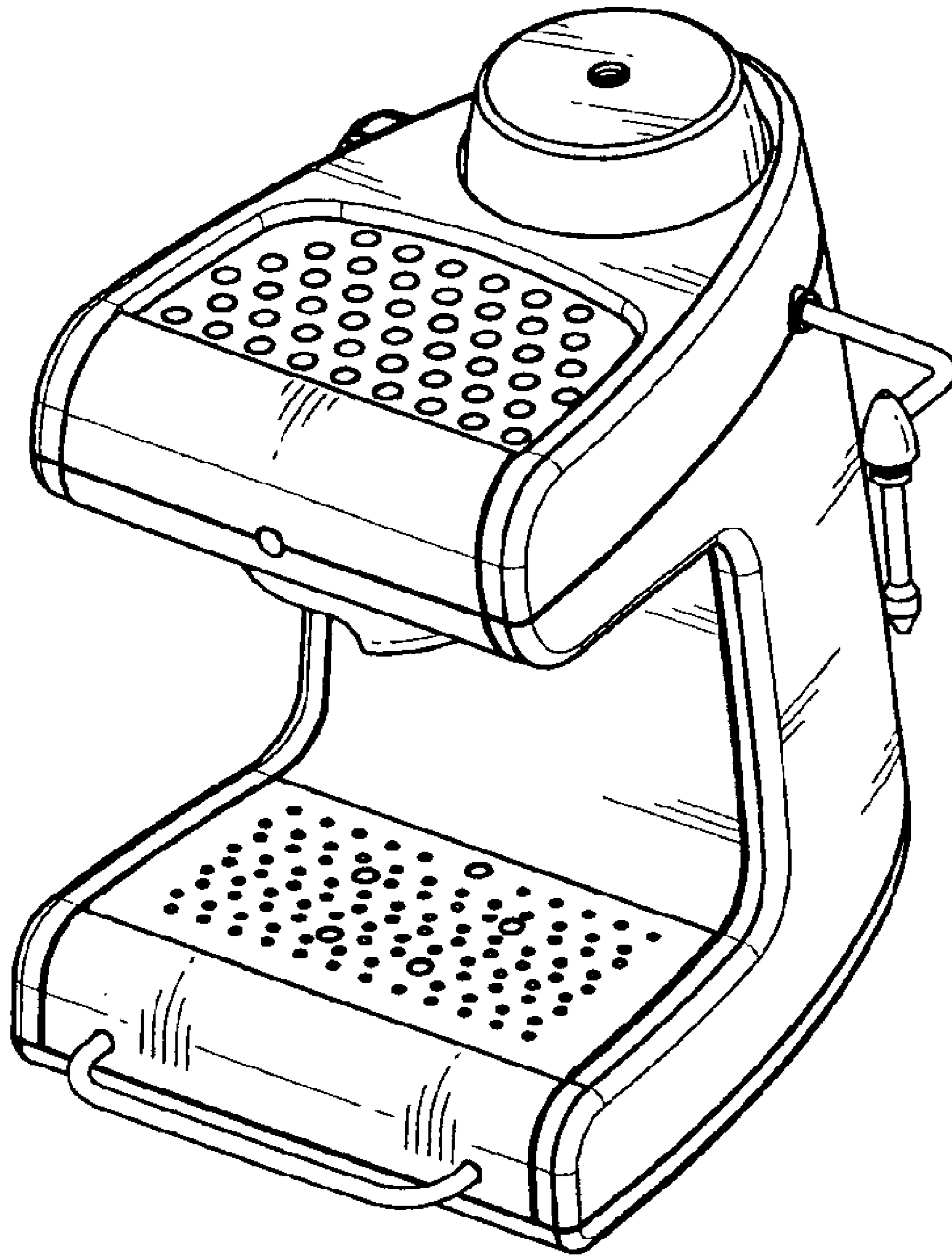


FIG. 1

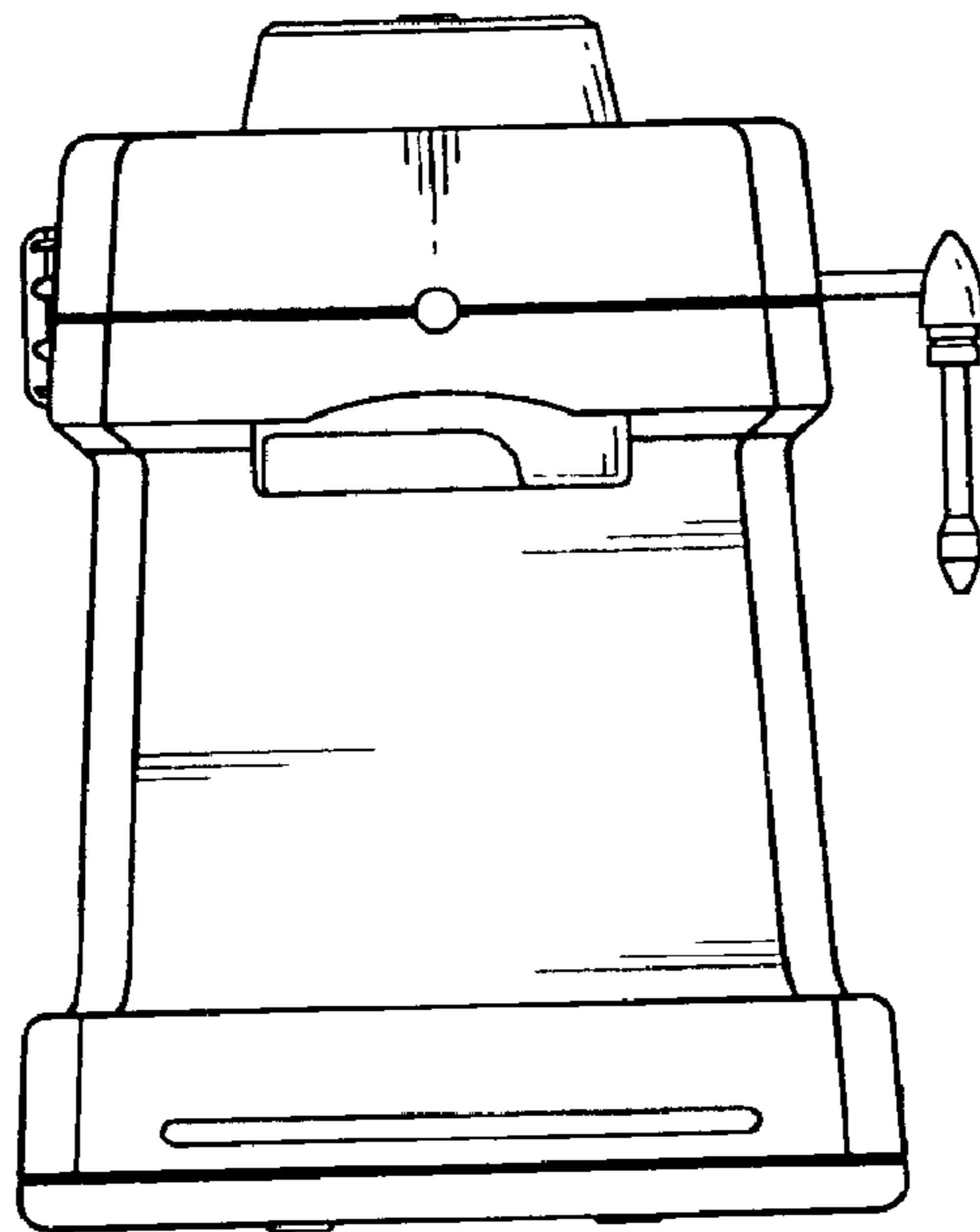


FIG. 2

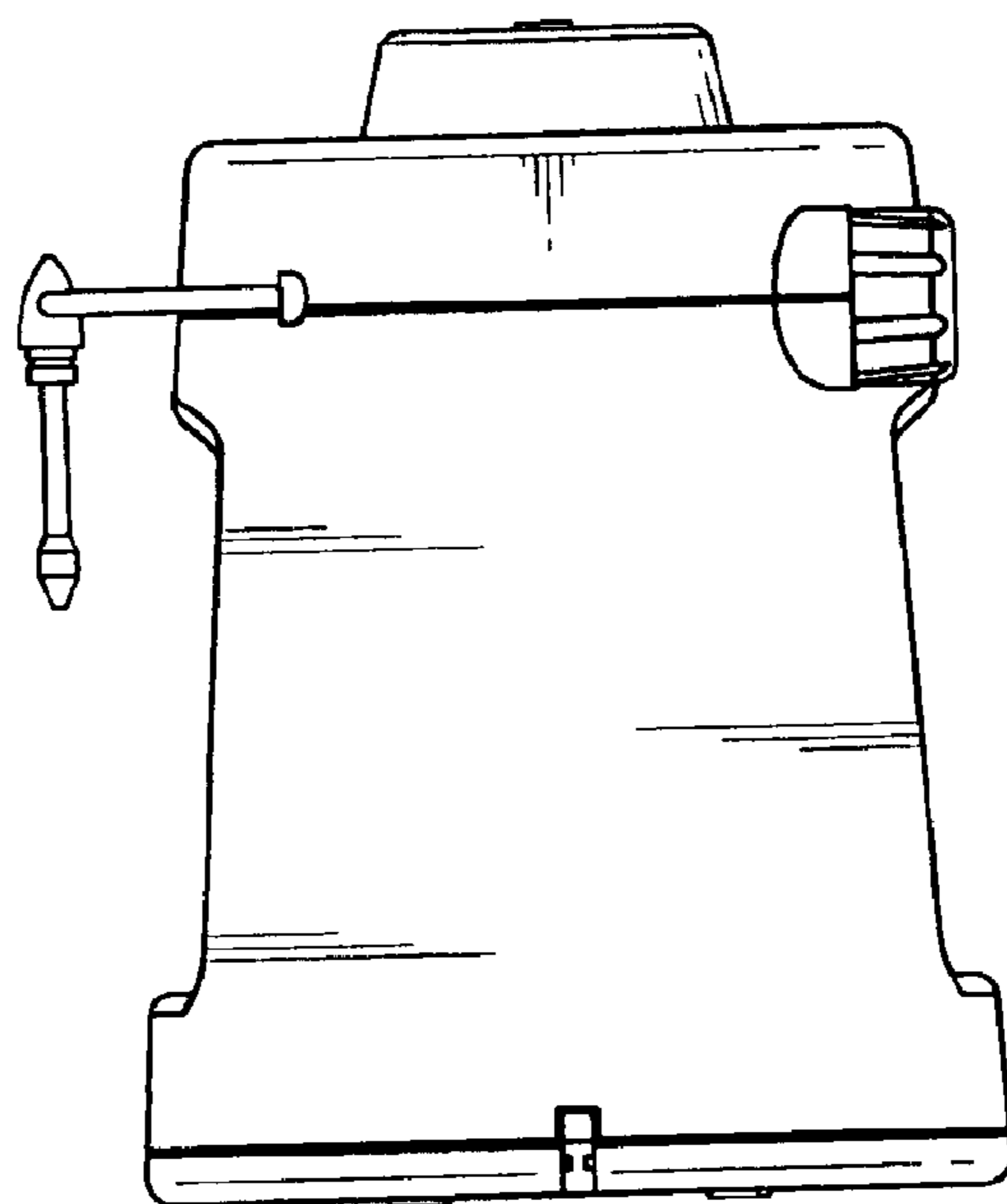


FIG. 3

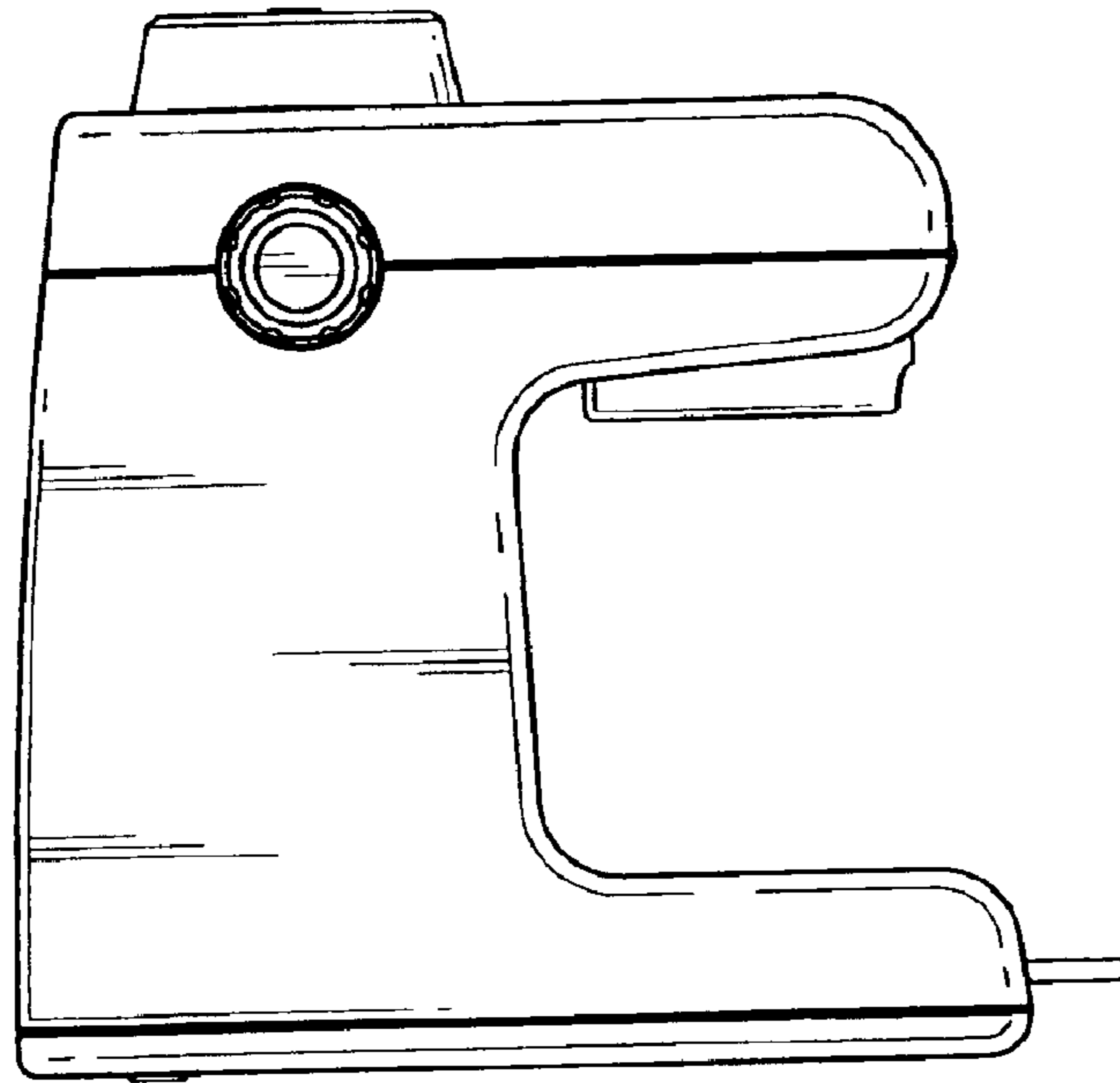


FIG. 4

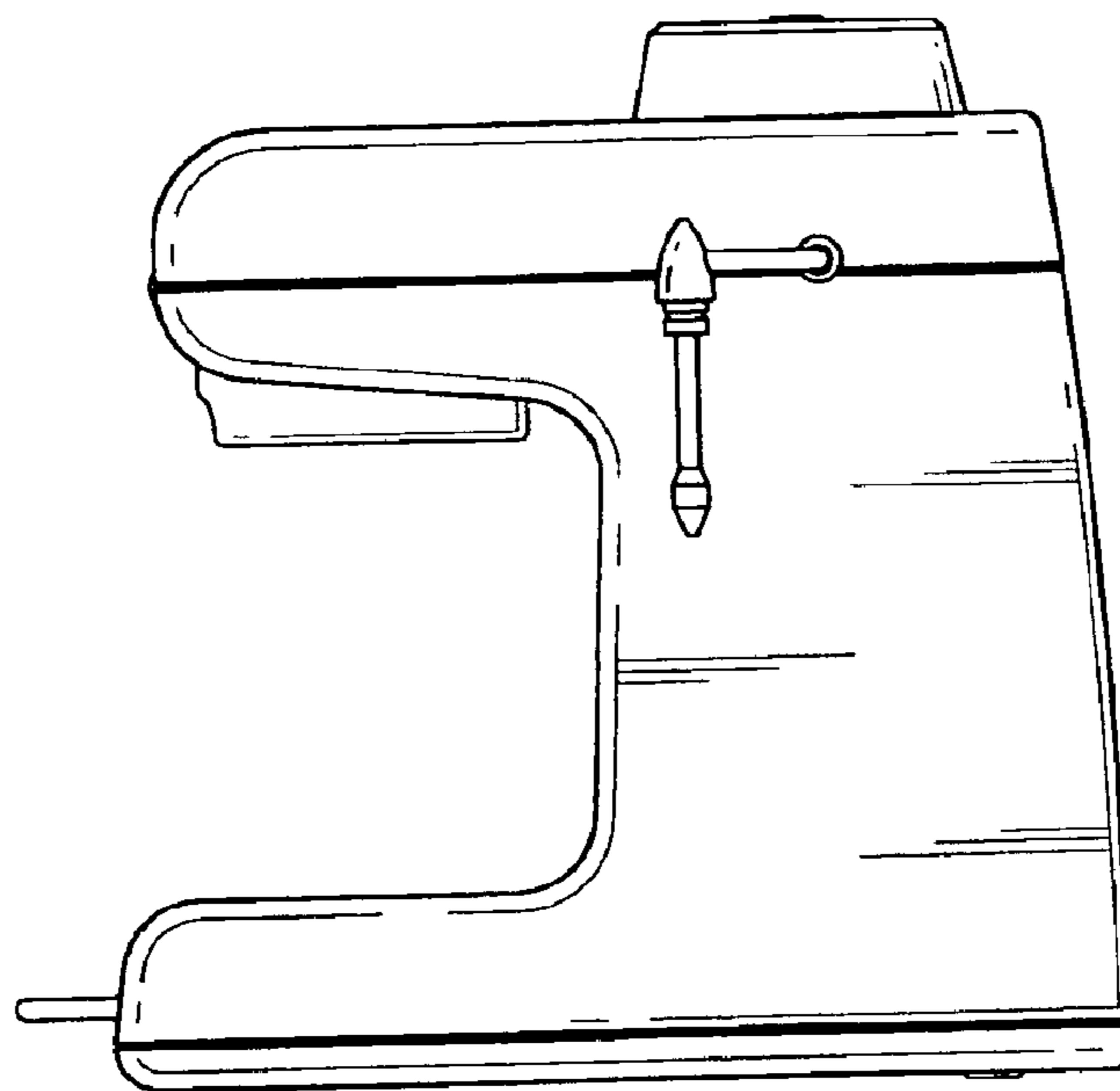


FIG. 5

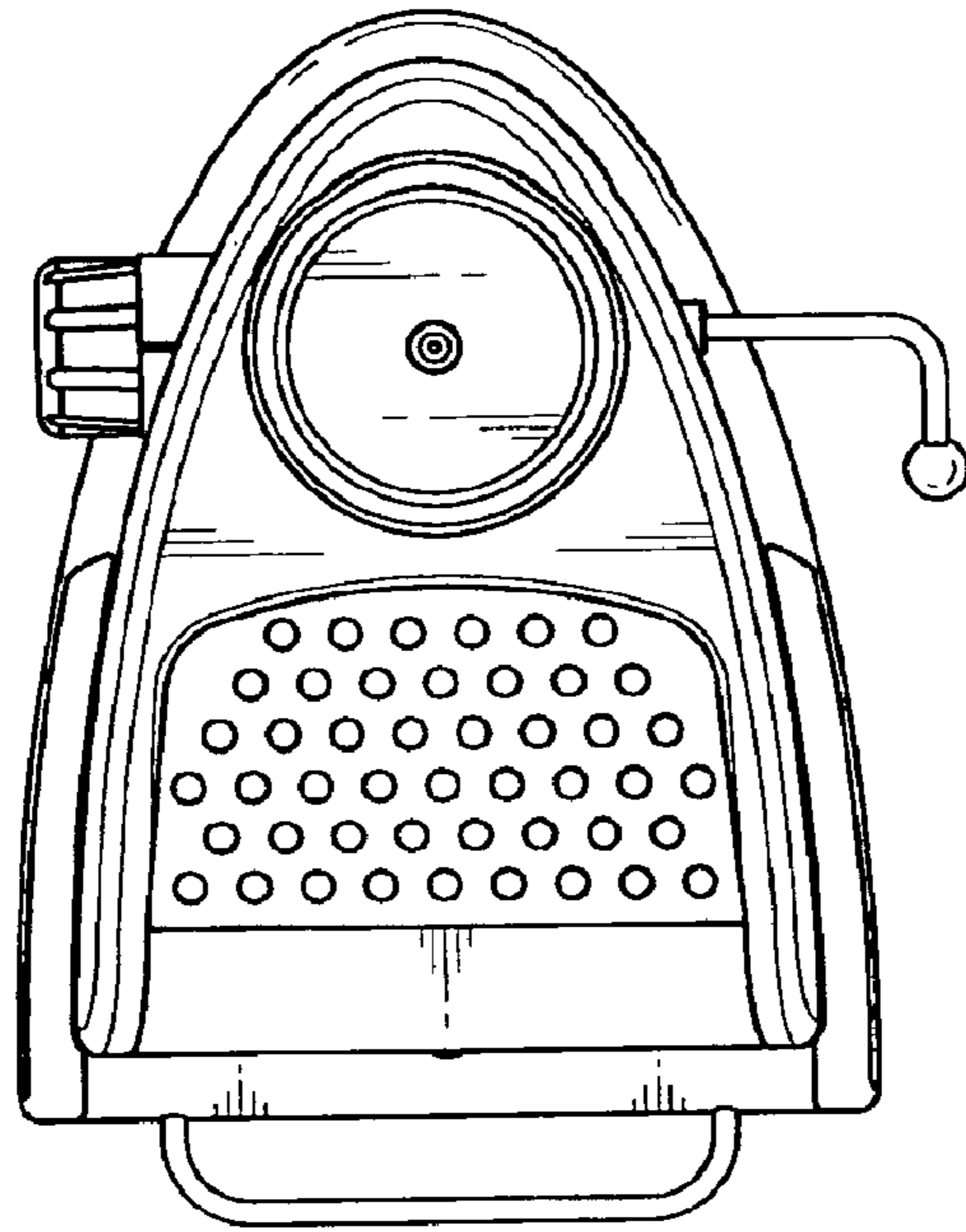


FIG. 6

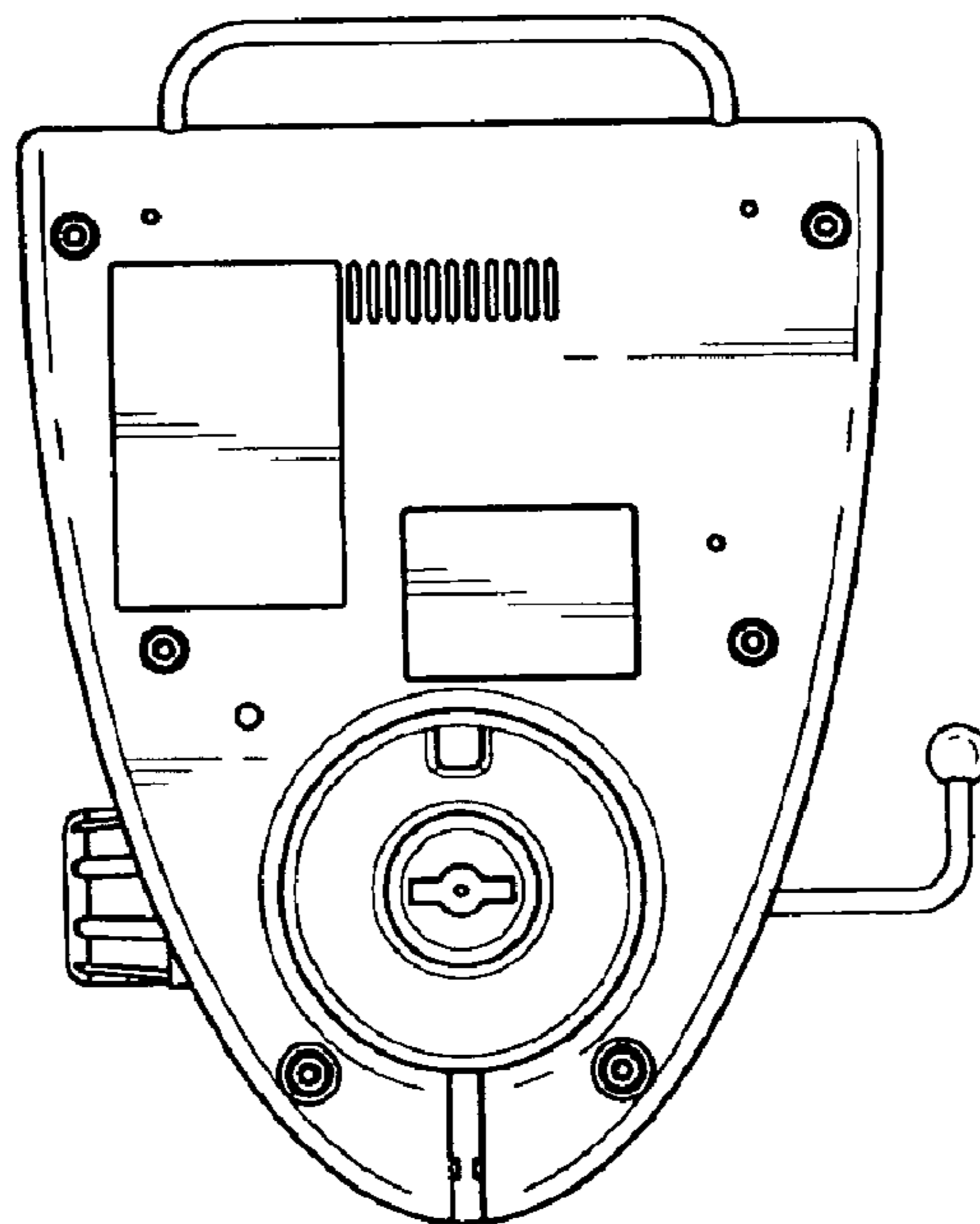


FIG. 7