

US00D501621S

(12) **United States Design Patent**  
**Ayers et al.**

(10) **Patent No.:** **US D501,621 S**  
(45) **Date of Patent:** **\*\* Feb. 8, 2005**

(54) **TOWEL SHELF**

(75) Inventors: **Mark Edward Ayers**, Leesport, PA  
(US); **Randy S. Cramer**, Lebanon, PA  
(US)

(73) Assignee: **Newfrey LLC**, Newark, DE (US)

(\*\*) Term: **14 Years**

(21) Appl. No.: **29/190,658**

(22) Filed: **Sep. 24, 2003**

(51) **LOC (7) Cl.** ..... **06-04**

(52) **U.S. Cl.** ..... **D6/574**

(58) **Field of Search** ..... D6/553, 567, 572,  
D6/574; 108/28-29; 248/235, 309.1; 211/13.1,  
42, 71.01, 86.01, 88.01, 88.03, 90.01, 90.03,  
126.1, 133.5, 134, 153, 182

(56) **References Cited**

**U.S. PATENT DOCUMENTS**

D282,995 S \* 3/1986 Beverly ..... D6/566  
D303,470 S \* 9/1989 Razumov ..... D6/546

D406,484 S \* 3/1999 Wu ..... D6/566  
D477,957 S \* 8/2003 Mikich et al. .... D6/574  
D485,109 S \* 1/2004 Oberhaus ..... D6/574  
D485,464 S \* 1/2004 Clucas ..... D6/566

\* cited by examiner

*Primary Examiner*—Brian N. Vinson

(74) *Attorney, Agent, or Firm*—Richard J. Veltman; John D. Del Ponti

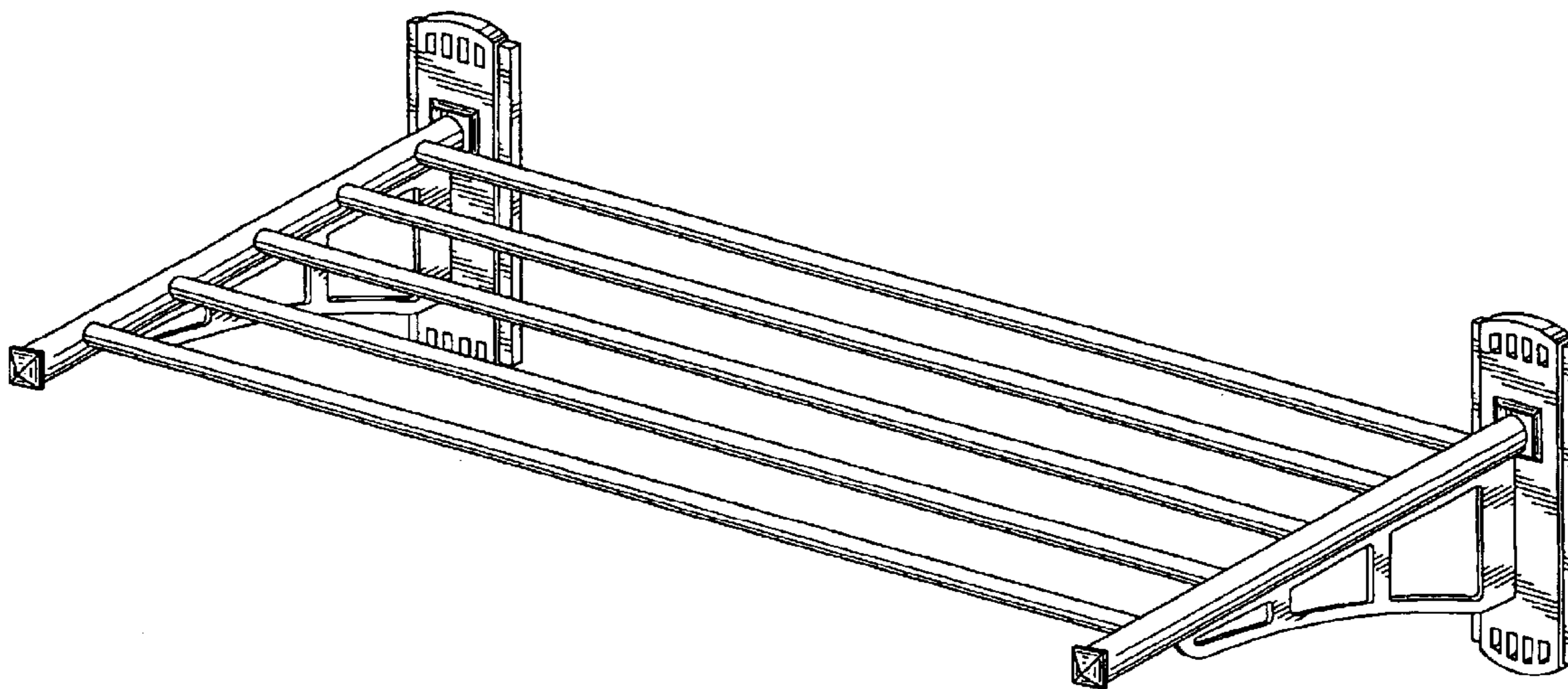
(57) **CLAIM**

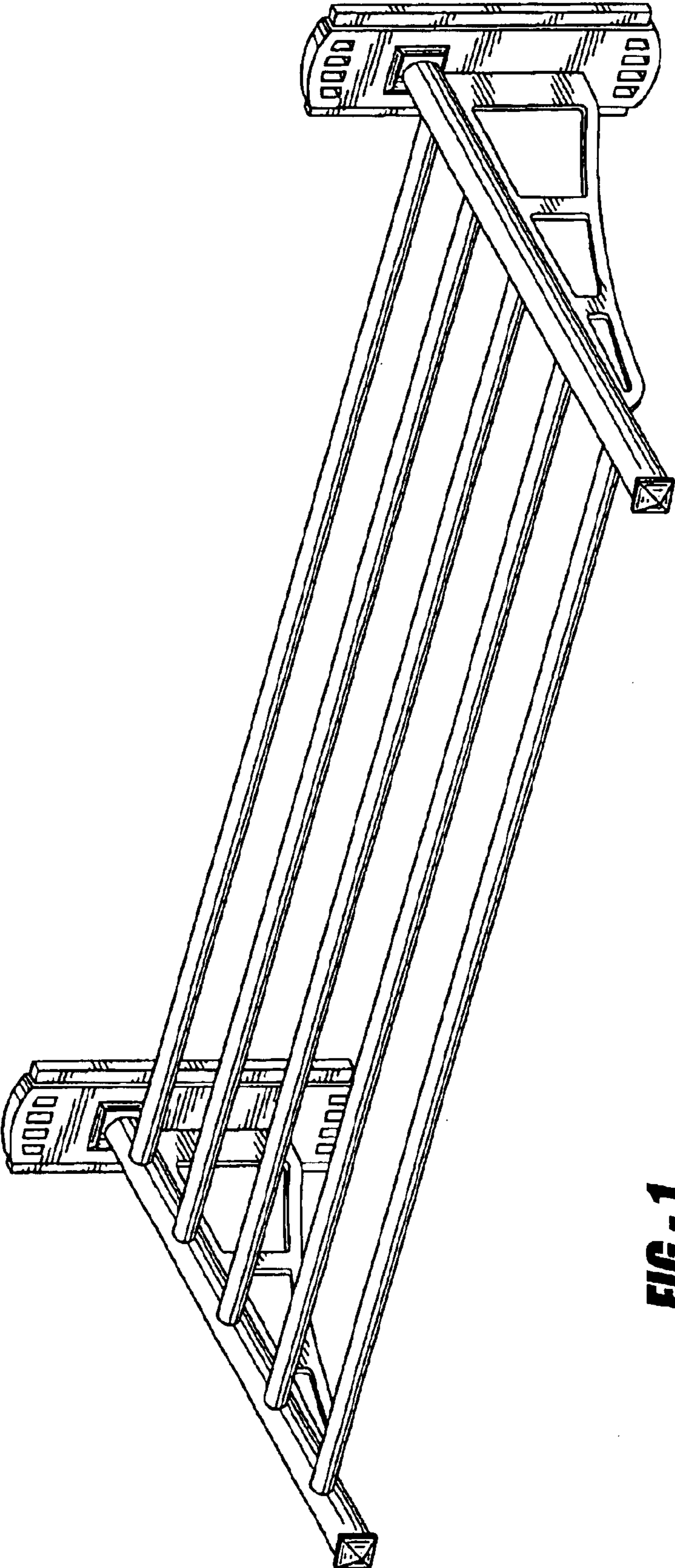
The ornamental design for a towel shelf, as shown and described.

**DESCRIPTION**

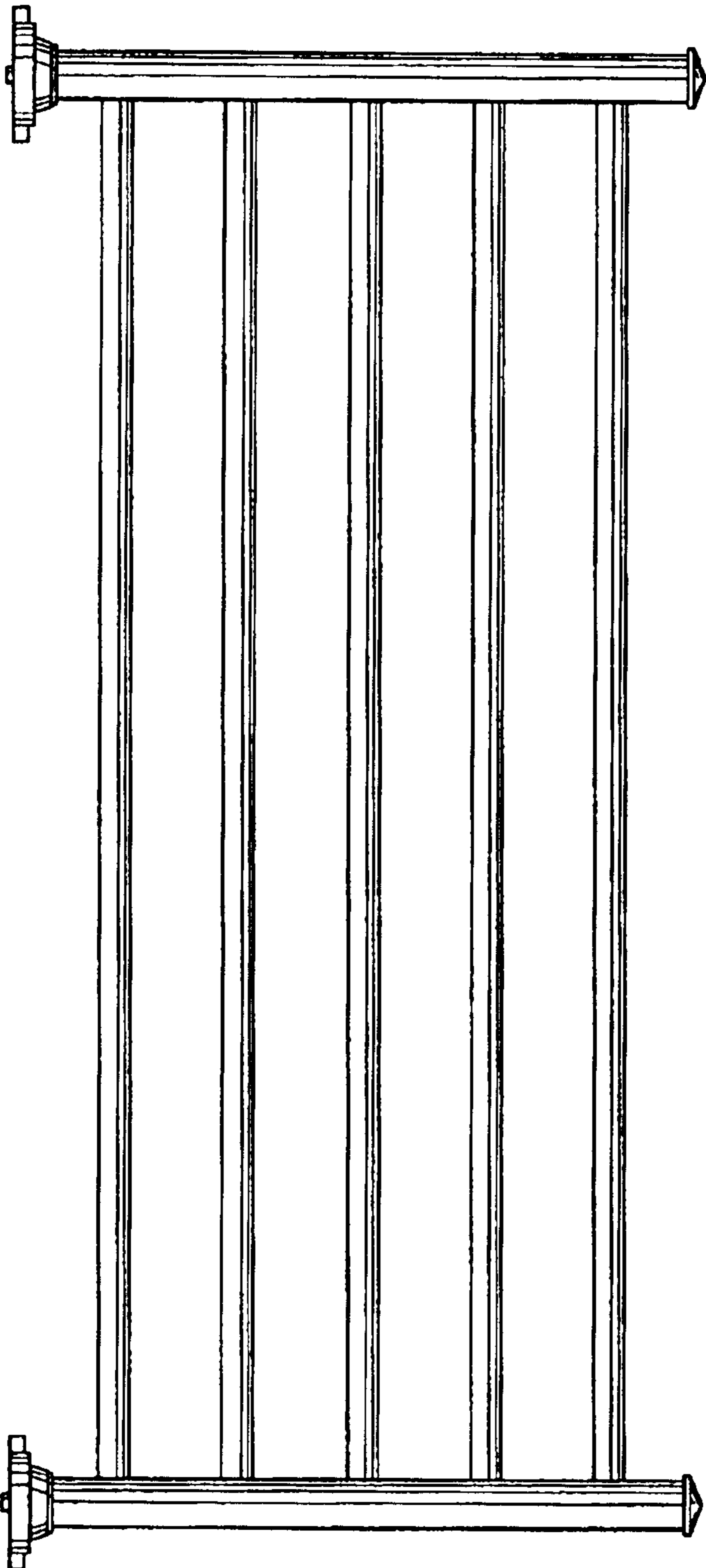
FIG. 1 is a perspective view of a towel shelf showing our new design;  
FIG. 2 is a top plan view thereof;  
FIG. 3 is a left side view thereof;  
FIG. 4 is a front elevational view thereof;  
FIG. 5 is a bottom plan view thereof; and,  
FIG. 6 is a right side view thereof.

**1 Claim, 4 Drawing Sheets**

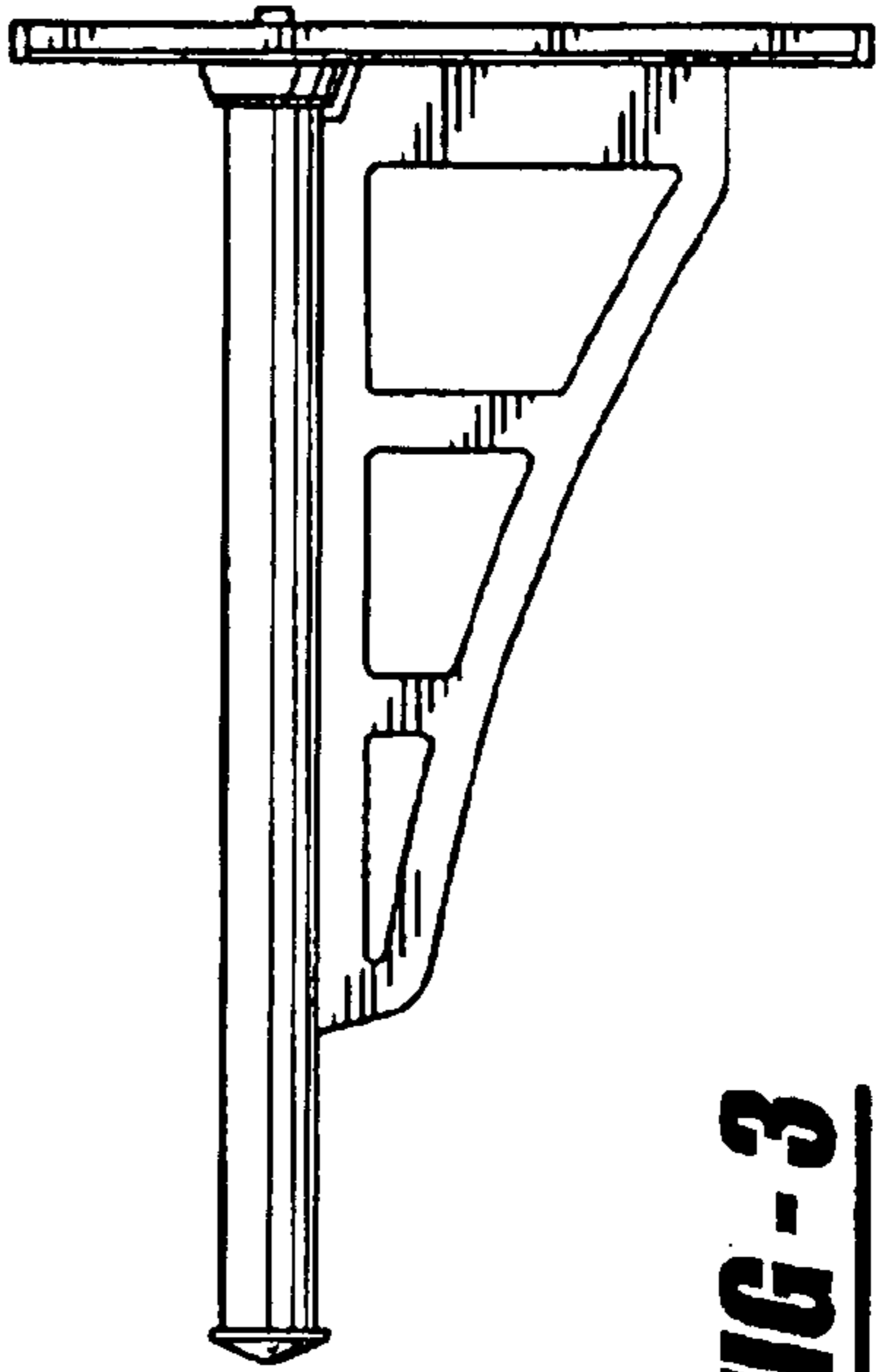




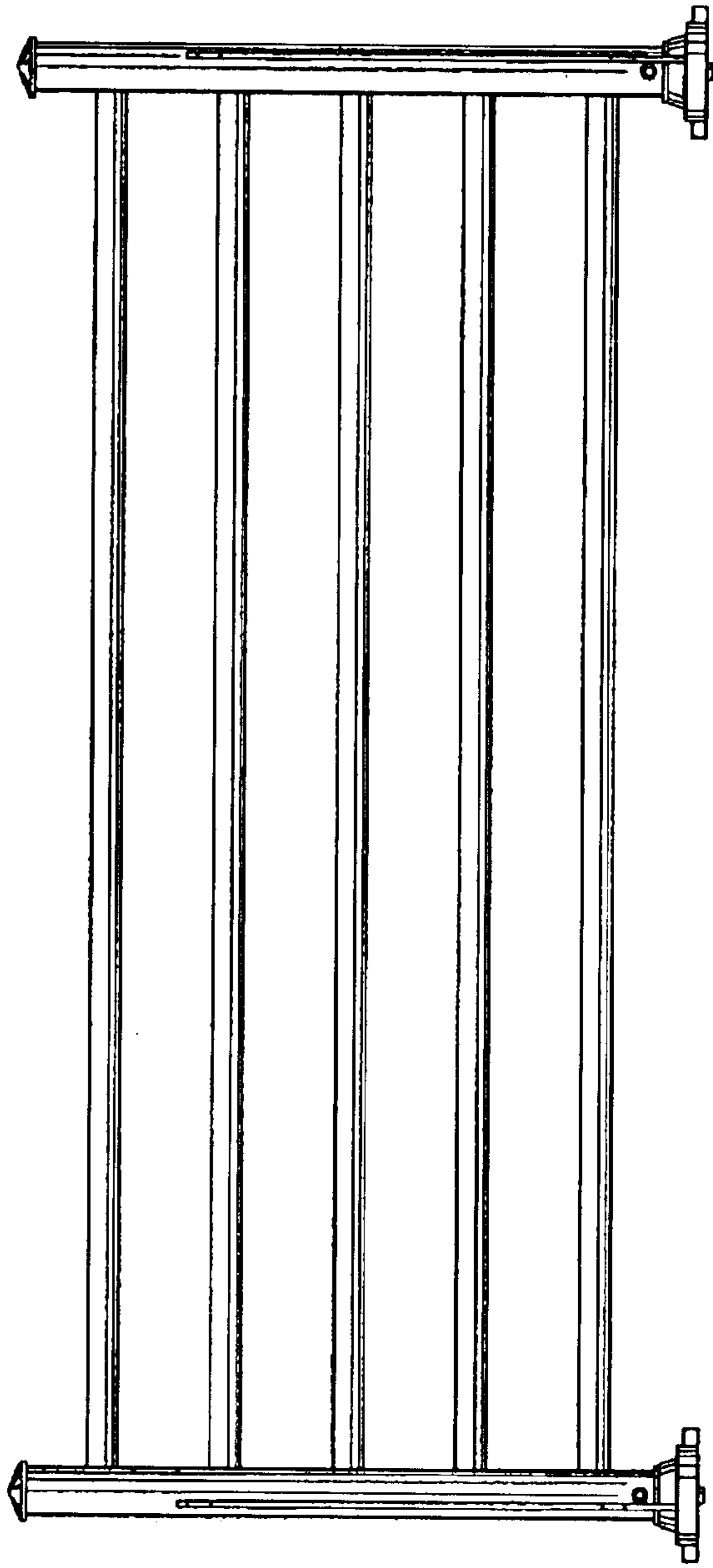
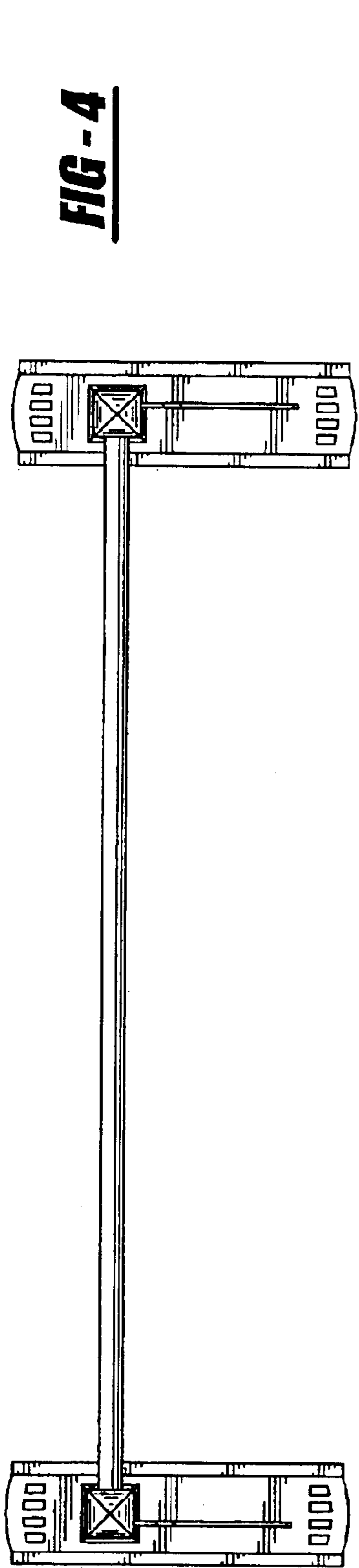
**FIG - 1**



**FIG - 2**



**FIG - 3**



**FIG - 5**

**FIG - 6**

