

US00D501618S

(12) **United States Design Patent** (10) **Patent No.:** **US D501,618 S**  
**Lenger** (45) **Date of Patent:** **\*\* Feb. 8, 2005**

(54) **FURNITURE COMPONENT**

(75) Inventor: **Sidney A. Lenger**, Kernersville, NC (US)

(73) Assignee: **American Signature, Inc.**, Columbus, OH (US)

(\*\*) Term: **14 Years**

D384,842 S	10/1997	Kennedy .....	D6/502
D388,977 S	1/1998	Shih et al. ....	D6/440
D389,676 S	* 1/1998	Diaz-Azcuy .....	D6/488
D390,049 S	* 2/1998	Diaz-Azcuy .....	D6/483
D400,733 S	11/1998	O'Hare .....	D6/445
D401,082 S	11/1998	O'Hare .....	D6/446
D436,771 S	1/2001	Zaidman .....	D6/509
D459,620 S	7/2002	O'Hare et al. ....	D6/483
D476,179 S	6/2003	Lenger .....	D6/497
D481,892 S	11/2003	Lenger .....	D6/509

(21) Appl. No.: **29/203,231**

(22) Filed: **Apr. 12, 2004**

**OTHER PUBLICATIONS**

Furniture Today, Oct. 21, 1996, p. 43, table.\*

\* cited by examiner

**Related U.S. Application Data**

(62) Division of application No. 29/186,513, filed on Jul. 17, 2003, now Pat. No. Des. 495,165, which is a division of application No. 29/165,109, filed on Aug. 5, 2002, now Pat. No. Des. 481,892.

*Primary Examiner*—Janice E. Seeger

(74) *Attorney, Agent, or Firm*—Wood Herron & Evans, LLP

(51) **LOC (7) Cl.** ..... **06-06**

(52) **U.S. Cl.** ..... **D6/491; D6/495**

(58) **Field of Search** ..... D6/480–489, 495, D6/499, 497, 451, 429, 43; 108/150, 153.1, 155, 156, 157.1, 161; 248/188, 188.1, 188.8

(57) **CLAIM**

The ornamental design for the furniture component, as shown and described.

(56) **References Cited**

**U.S. PATENT DOCUMENTS**

D28,031 S	12/1897	York .....	D6/349
D56,541 S	11/1920	Saller .....	D6/495
D63,762 S	1/1924	Welch .....	D6/470
D138,819 S	* 9/1944	Larson .....	D6/488
D208,401 S	8/1967	Morgan .....	D6/509
D378,256 S	3/1997	Keller .....	D6/497
D379,126 S	5/1997	Keller .....	D6/495

**DESCRIPTION**

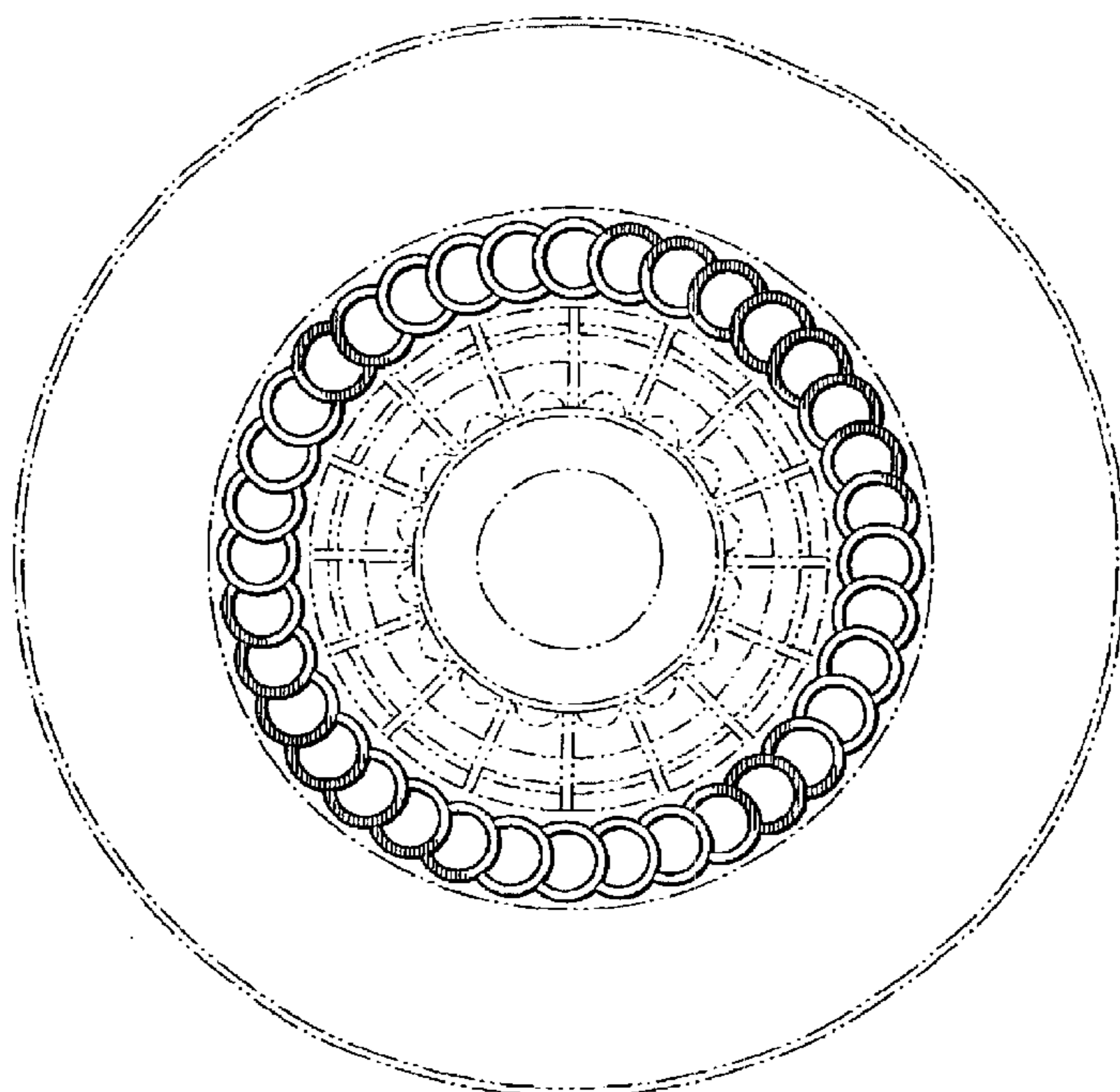
FIG. 1 is a top plan view of my new design for a furniture component;

FIG. 2 is a front elevational view thereof, with the right side, left side, and rear elevational views thereof being identical to FIG. 2; and,

FIG. 3 is a bottom plan view thereof.

The features of the furniture component shown in broken lines form no part of the claimed design.

**1 Claim, 2 Drawing Sheets**



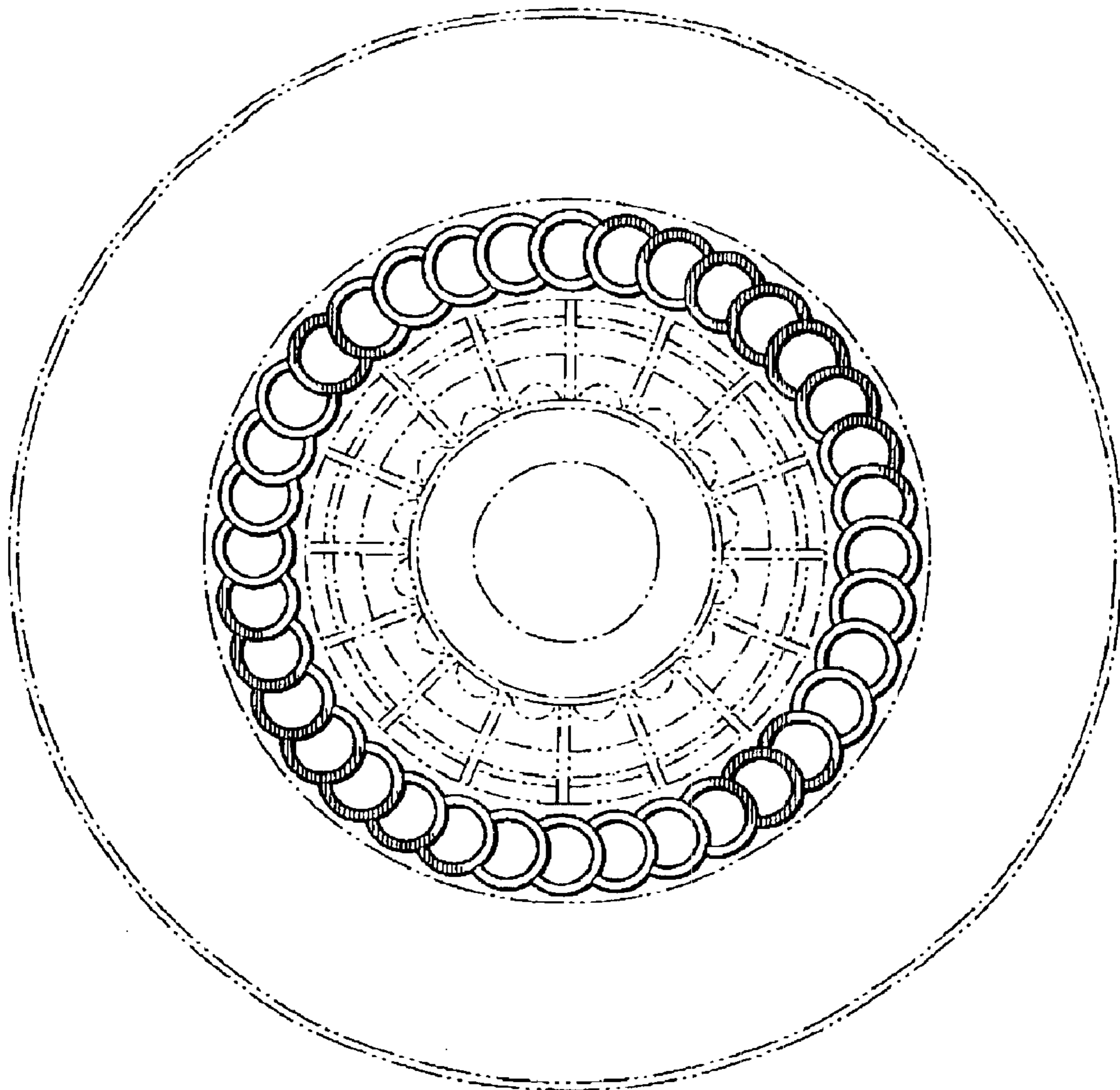


FIG. 1

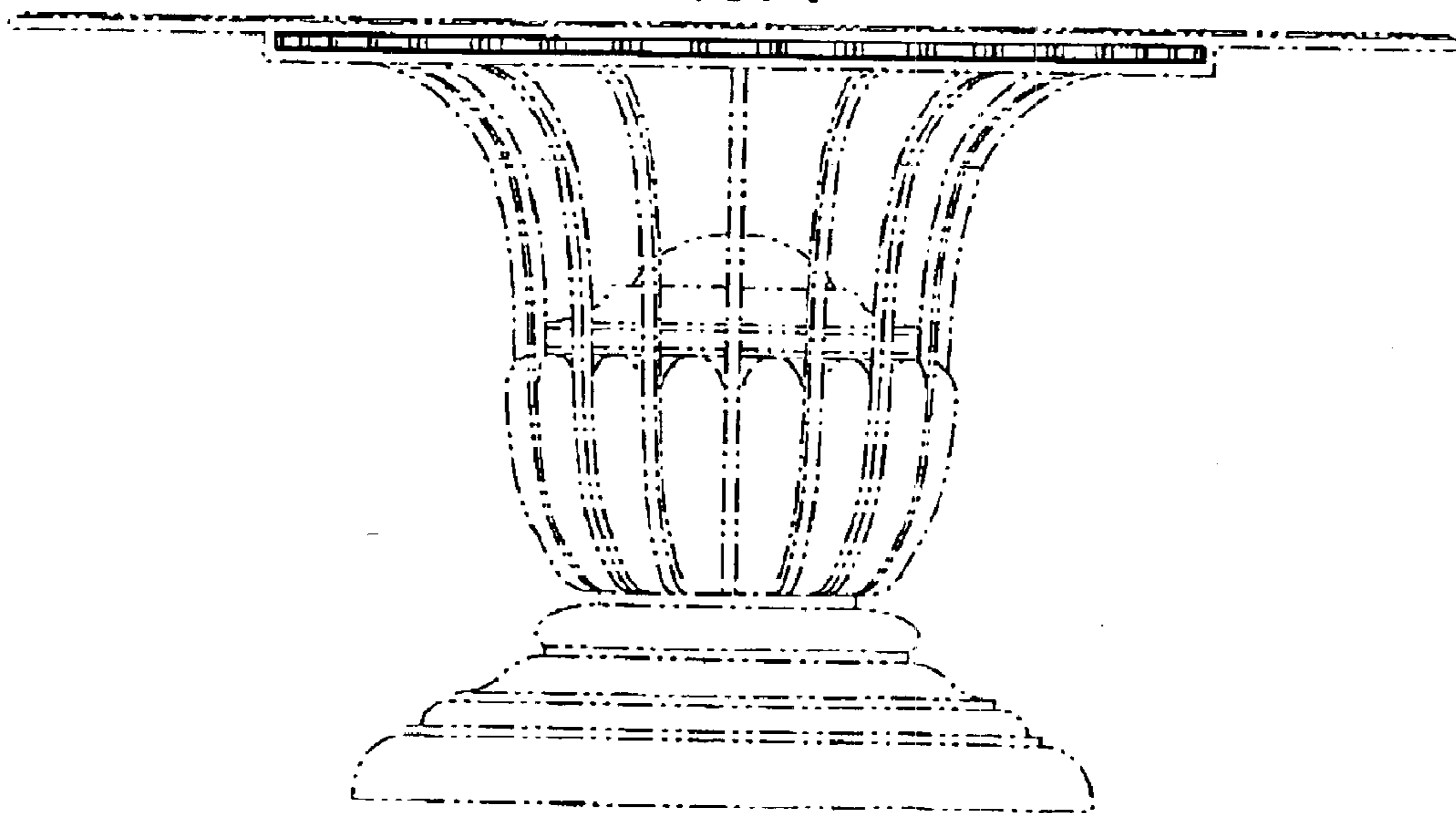


FIG. 2

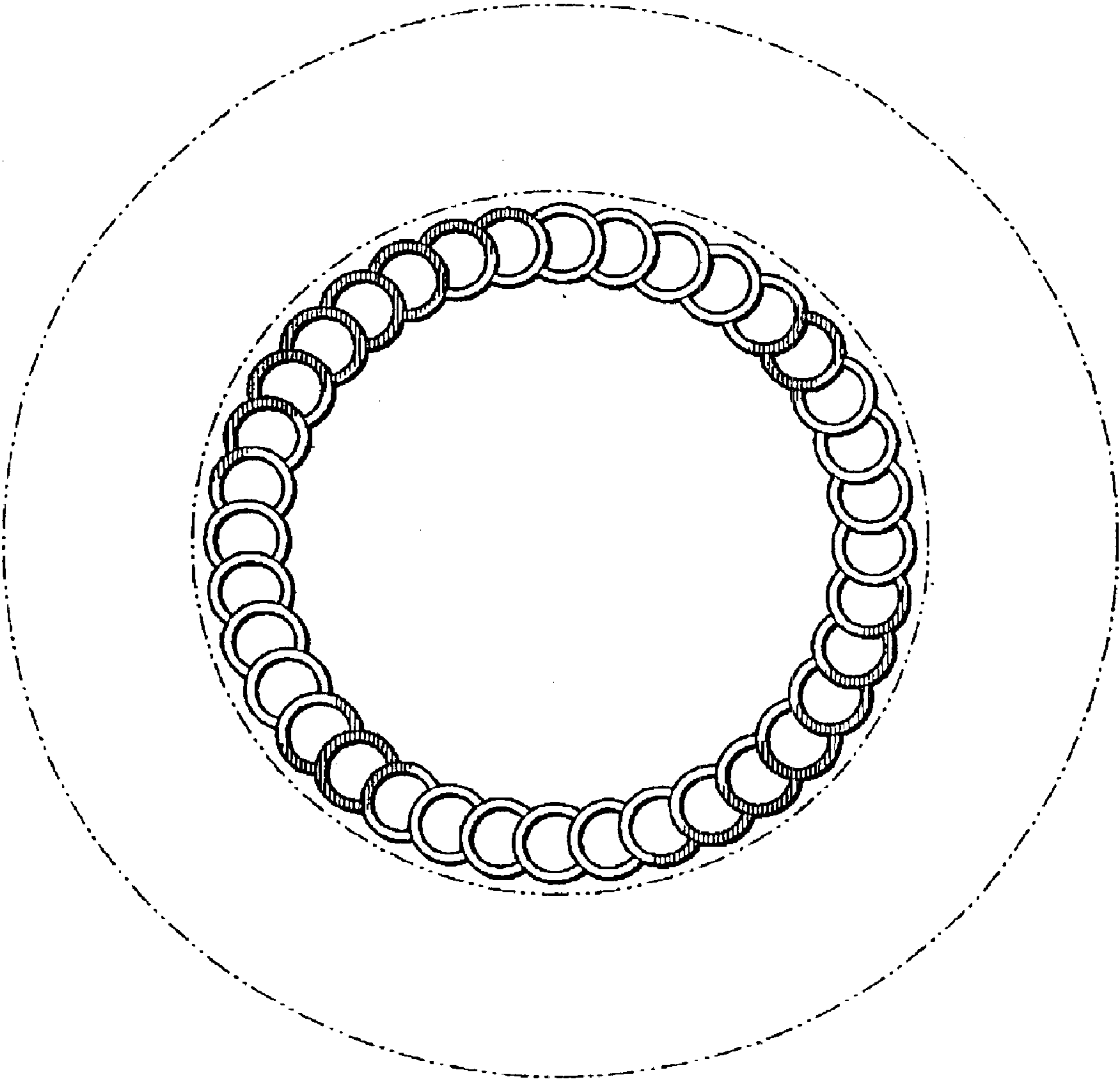


FIG. 3