

US00D501617S

(12) **United States Design Patent** (10) **Patent No.:** **US D501,617 S**
Katz (45) **Date of Patent:** **** Feb. 8, 2005**

(54) **REMOTE CONTROL CADDY**
 (76) Inventor: **Denis Katz**, 184 Thompson St., New York, NY (US) 10012
 (**) Term: **14 Years**
 (21) Appl. No.: **29/158,634**
 (22) Filed: **Apr. 5, 2002**
 (51) **LOC (7) Cl.** **06-04**
 (52) **U.S. Cl.** **D6/476**
 (58) **Field of Search** D6/449, 450, 400, D6/466-469, 475, 491, 492, 509, 476; D19/85, 92; 206/386, 599, 600, 278, 314, 315.9; 211/11, 85.4, 85.6, 14, 55, 72, 59.2; 248/560, 441.1, 346.02, 448, 281

5,244,173 A 9/1993 Kulyk 248/176
 5,265,735 A * 11/1993 Hassel et al. 211/11
 5,370,238 A 12/1994 Czajkowski et al. 211/13
 5,370,241 A 12/1994 Silvers 211/13
 D358,278 S 5/1995 Goodwin D6/449
 D360,780 S 8/1995 Kennedy, Jr. D6/449
 D363,619 S * 10/1995 Karnaze D6/449
 D391,098 S 2/1998 Northrop D6/466
 5,872,702 A 2/1999 Kopel 361/810
 D432,578 S * 10/2000 Stravitz D19/91

* cited by examiner

Primary Examiner—Cathron C. Brooks

(57) **CLAIM**

The ornamental design for the remote control caddy, as shown and described.

DESCRIPTION

FIG. 1 is a front right perspective view of the new remote control caddy of the present invention.
 FIG. 2 is a front elevation view thereof.
 FIG. 3 is a rear view thereof.
 FIG. 4 is a left side view thereof; and,
 FIG. 5 is a top view thereof.

1 Claim, 4 Drawing Sheets

(56) **References Cited**

U.S. PATENT DOCUMENTS

D165,194 S * 11/1951 Schiffer D6/473
 D278,102 S 3/1985 Wagner, Jr. D6/466
 4,709,412 A 11/1987 Seymour et al. 455/603
 D297,439 S * 8/1988 Rabig D19/85
 4,991,817 A 2/1991 Von Kleist et al. 248/676
 D316,347 S * 4/1991 Getto D6/467
 D333,489 S * 2/1993 Stern et al. D19/90

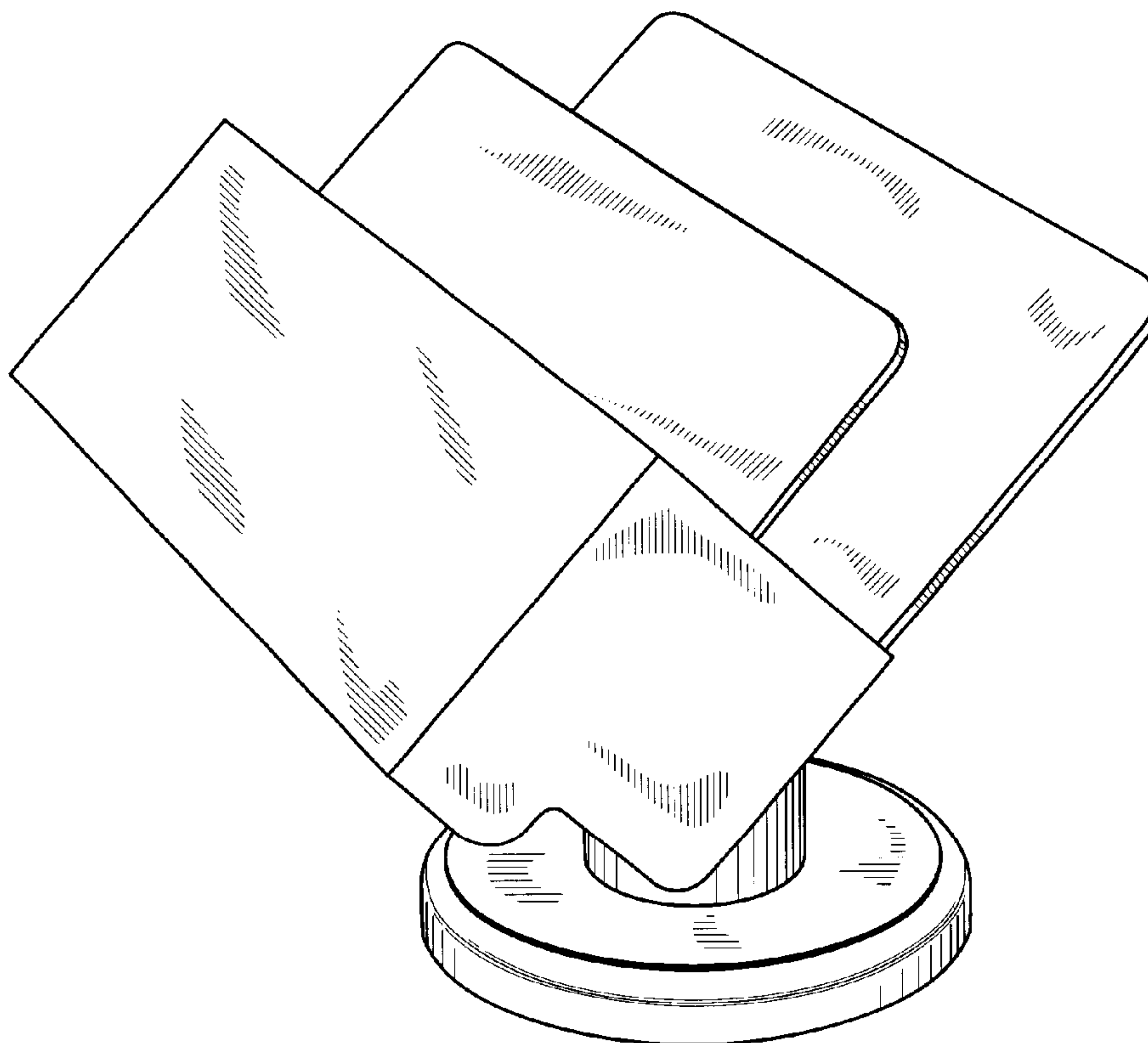


FIG. 1

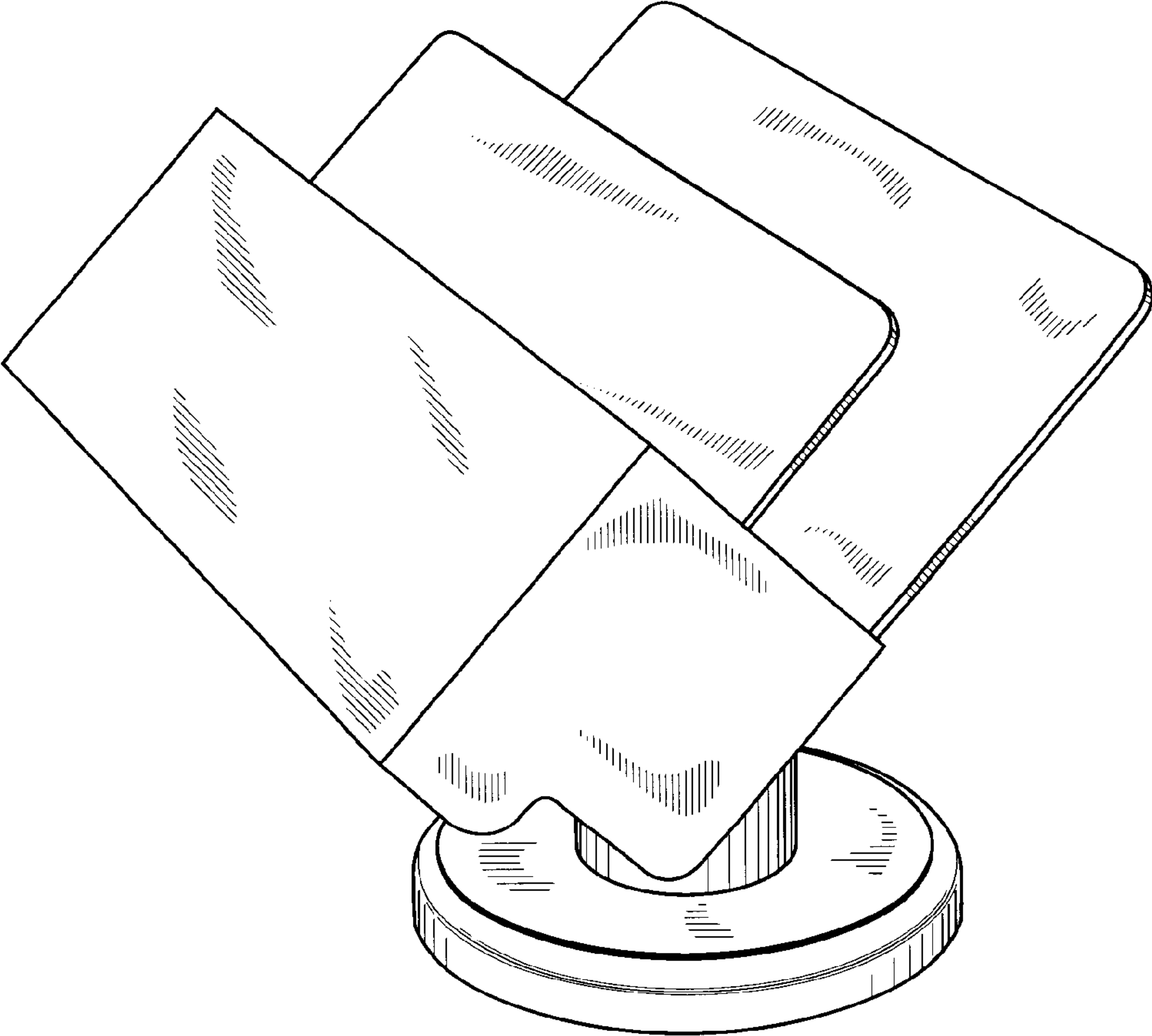


FIG. 2

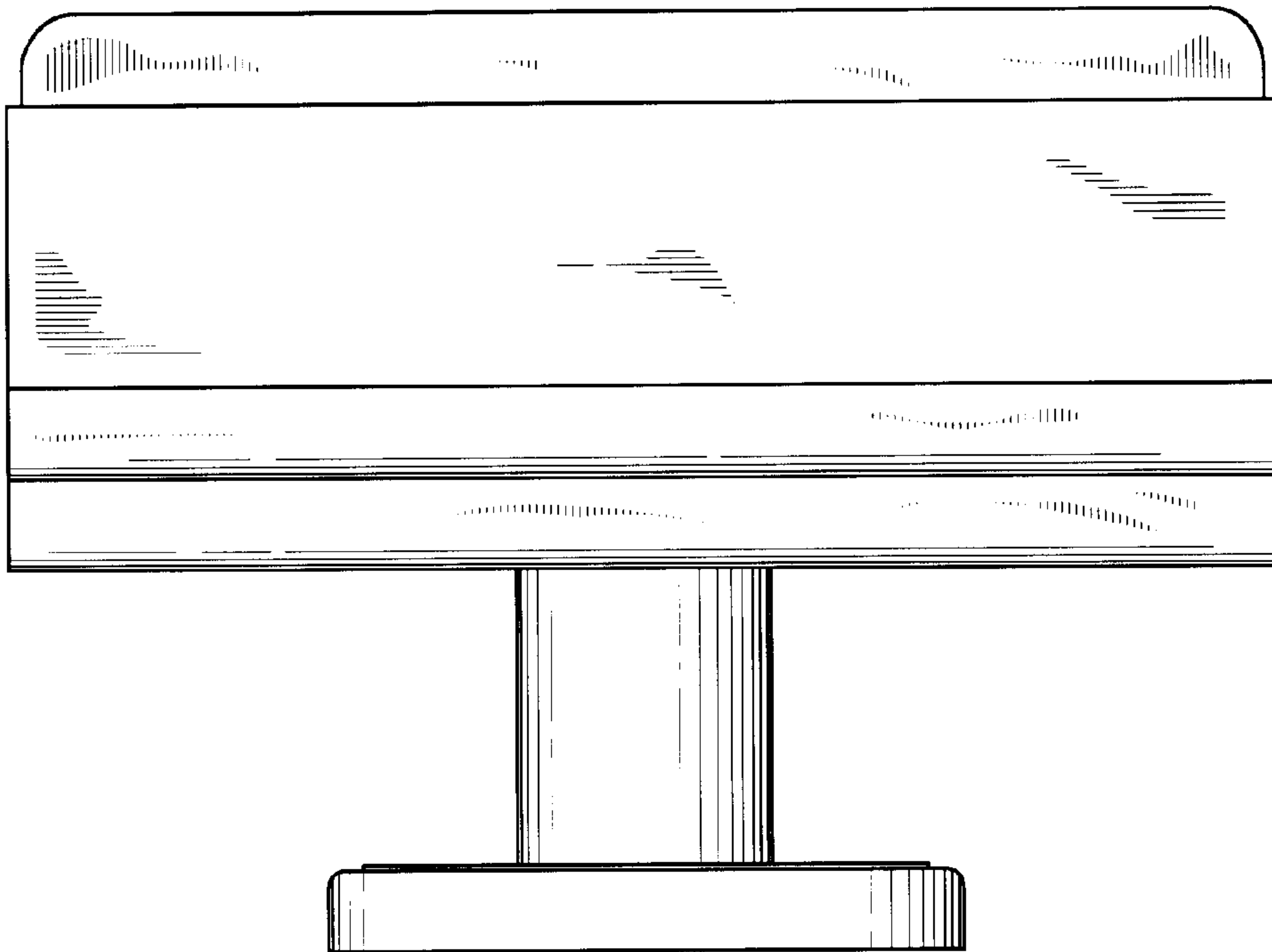


FIG. 3

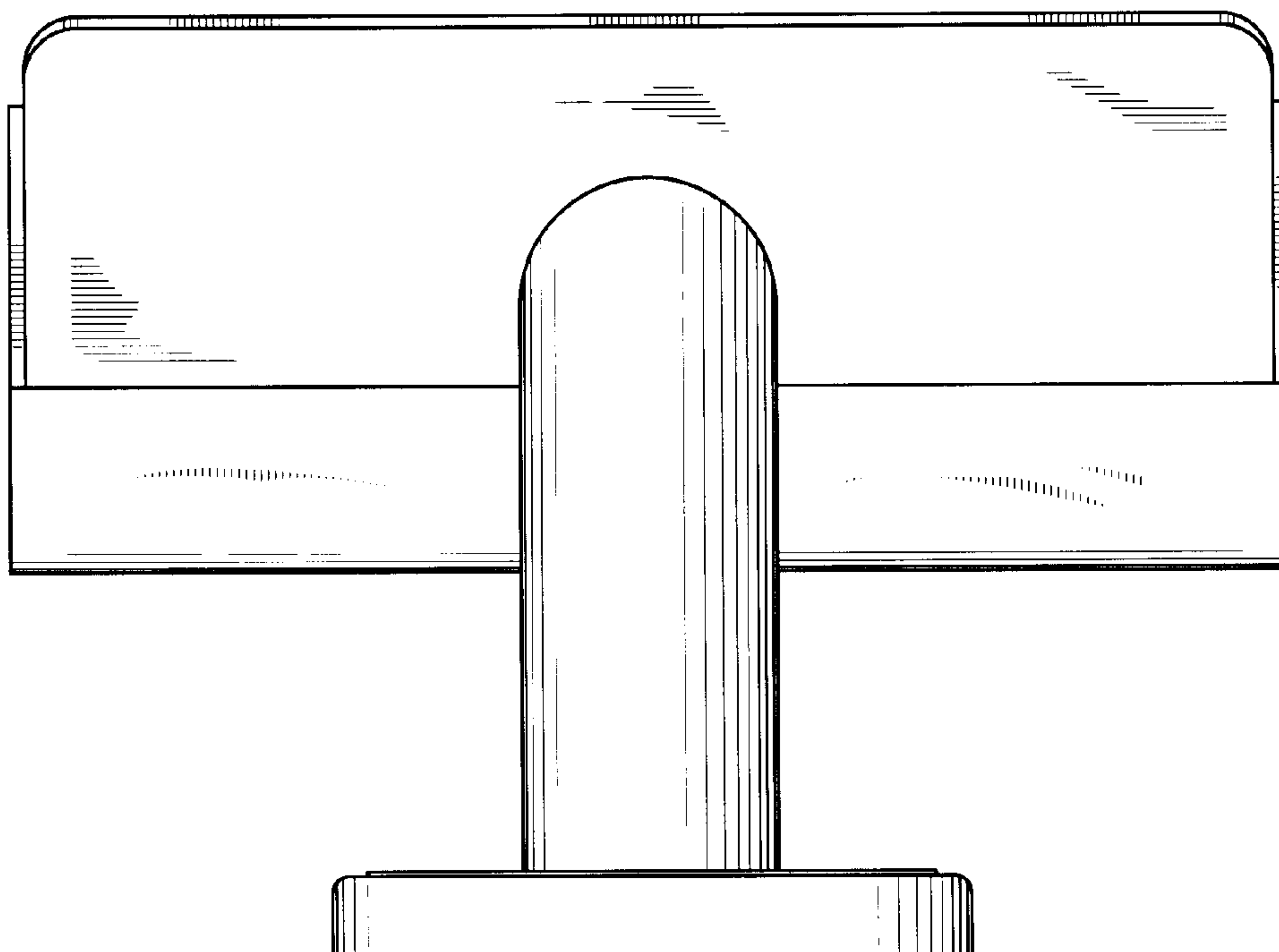


FIG. 4

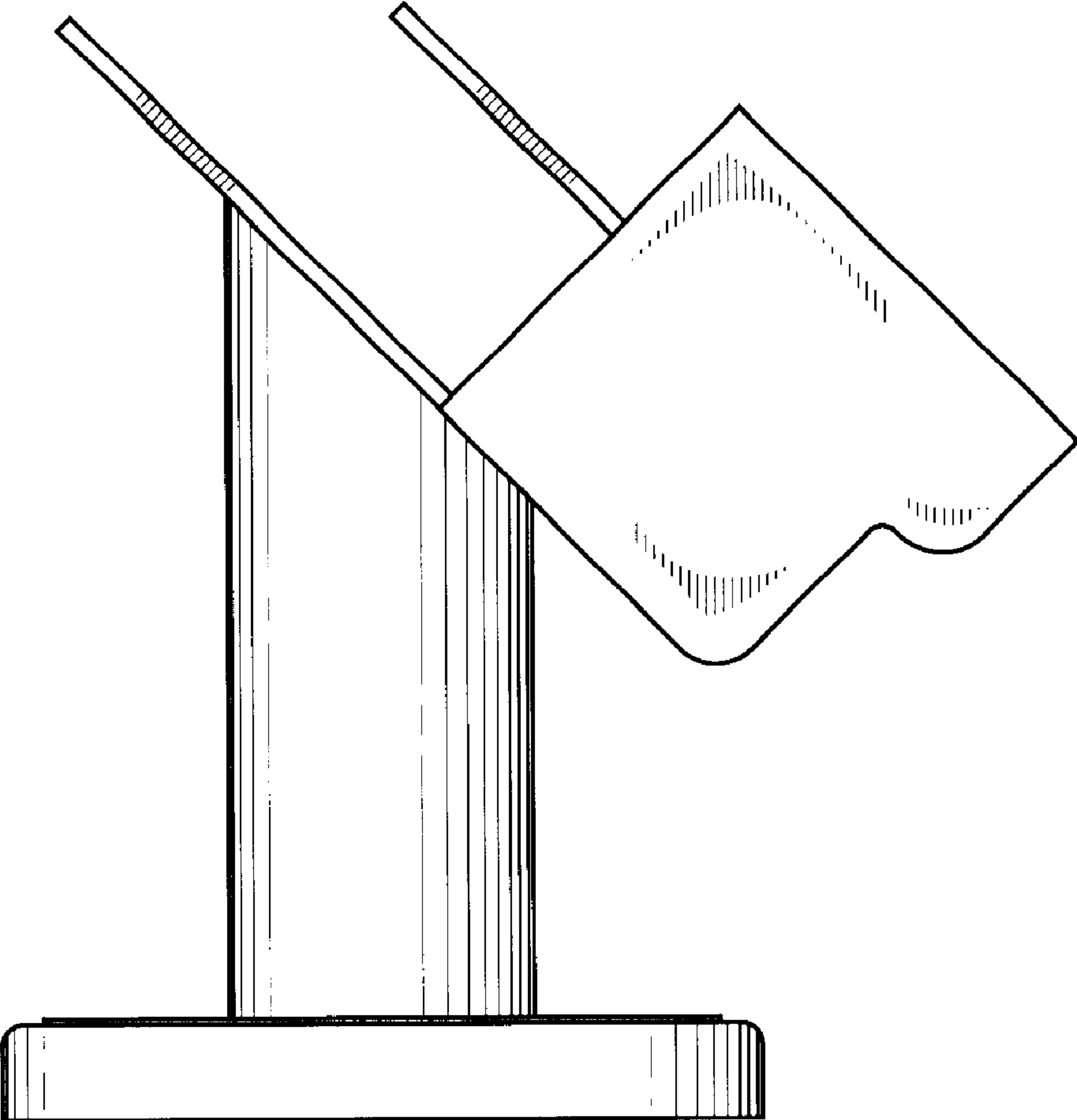


FIG. 5

