

US00D501615S

(12) **United States Design Patent** (10) **Patent No.:** **US D501,615 S**
Chen (45) **Date of Patent:** **** Feb. 8, 2005**

(54) **STORAGE CABINET WITH DRAWERS**

(76) Inventor: **Shun-Teng Chen**, 58 Ma-Yuan West St, Taichung (TW)

(*) Notice: This patent is subject to a terminal disclaimer.

(**) Term: **14 Years**

(21) Appl. No.: **29/142,529**

(22) Filed: **May 25, 2001**

(51) **LOC (7) Cl.** **06-04**

(52) **U.S. Cl.** **D6/446**

(58) **Field of Search** D6/396, 397, 432, D6/436, 441, 443, 446, 448, 510, 511; 312/194, 138.1, 204, 213, 348.4

(56) **References Cited**

U.S. PATENT DOCUMENTS

D126,985 S	*	5/1941	Miller	D6/441
D286,122 S	*	10/1986	Golias	D6/559
D388,976 S	*	1/1998	Markson	D6/432
D410,230 S	*	5/1999	Witte	D6/432 X
D410,351 S	*	6/1999	Magnusson et al.	D6/446
D412,797 S	*	8/1999	Sadler	D6/448
D433,248 S	*	11/2000	Hellwig et al.	D6/441
D433,840 S	*	11/2000	Hawang	D6/432
D437,148 S	*	2/2001	Base et al.	D6/432
D439,777 S	*	4/2001	Laughton	D6/510

* cited by examiner

Primary Examiner—Cathron C. Brooks

(74) *Attorney, Agent, or Firm*—Workman Nydegger

(57) **CLAIM**

The ornamental design for the storage cabinet with drawers, as shown and described.

DESCRIPTION

The novel design of the present invention is embodied in a storage cabinet with one or two drawers. The cabinet and

drawers can be made from plastic or other materials and can preferably be assembled from a number of flat planar pieces by hand without tools.

The present application claims is related to a U.S. utility patent application by Shun-Teng Chen, entitled “Combinatorial Cabinet,” U.S. Appl. No. 09/400,990, filed Sep. 21, 1999 (incorporated herein by reference in its entirety).

FIG. 1 is a left front perspective view of the storage cabinet with the drawers shown closed and showing one of the four cylindrical elements on the top surface in an exploded view.

FIG. 2 is a front perspective view thereof, with the drawers shown removed for completeness of illustration.

FIG. 3 is a rear perspective view thereof showing the rear and top surface of the cabinet.

FIG. 4 is a bottom perspective view thereof showing the bottom and right surface of the cabinet.

FIG. 5 is a top perspective view of a drawer of the storage cabinet, shown separately for completeness of illustration.

FIG. 6 is a side interior perspective view of the drawer of FIG. 5.

FIG. 7 is a bottom perspective view of the drawer of FIG. 5; and,

FIG. 8 is a front perspective view of a second embodiment of the storage cabinet with the drawers, shown without drawers for completeness of illustration; the sole difference residing in the shelf on which the upper drawer rests.

In a second embodiment of the storage cabinet as shown in FIGS. 1–7, the bottom of the storage cabinet forms no part of the claimed design.

In an additional embodiment of the storage cabinet as shown in FIGS. 1–7, the bottom of the drawer as shown in FIG. 7 forms no part of the claimed design.

1 Claim, 8 Drawing Sheets

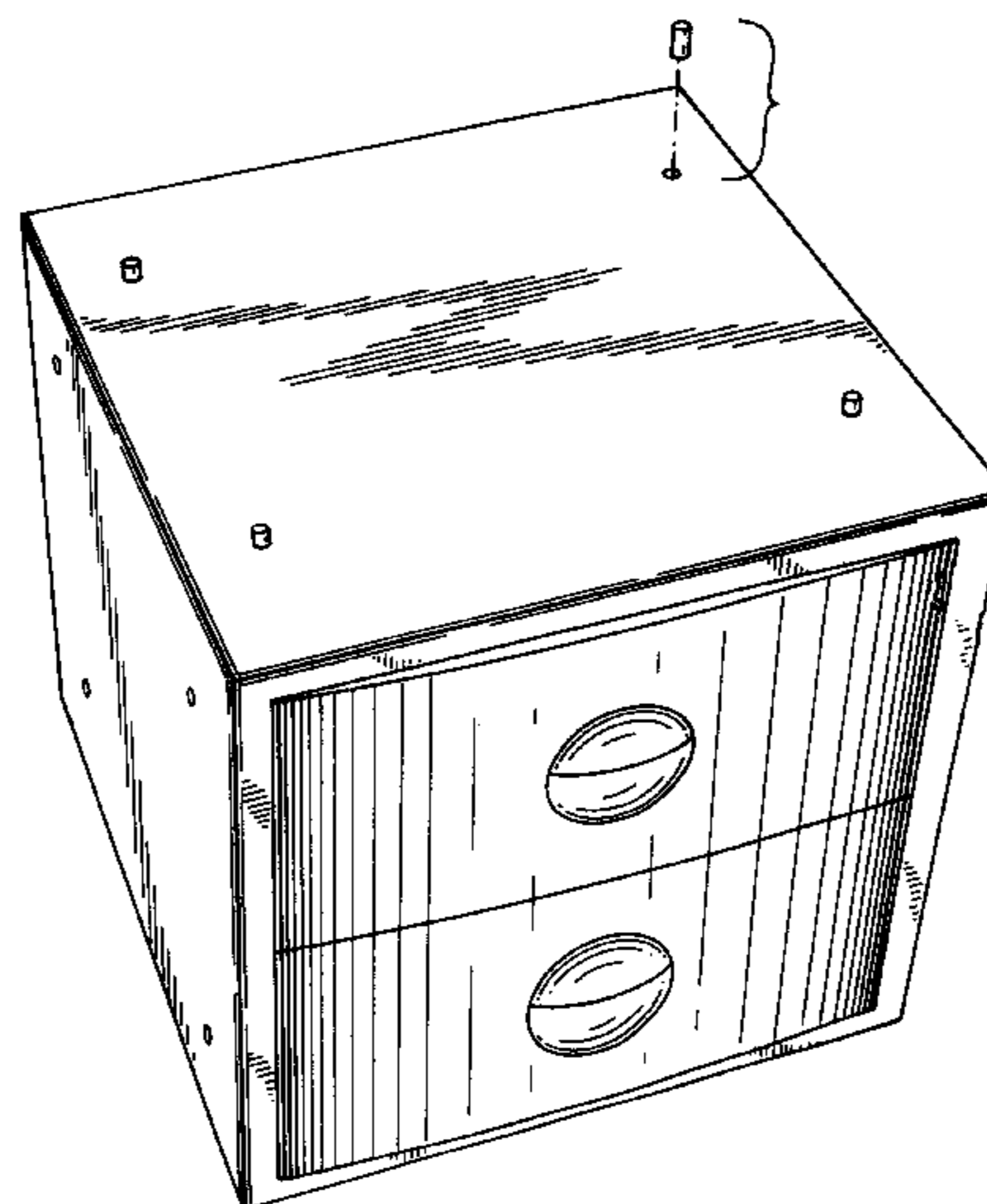


FIG. 1

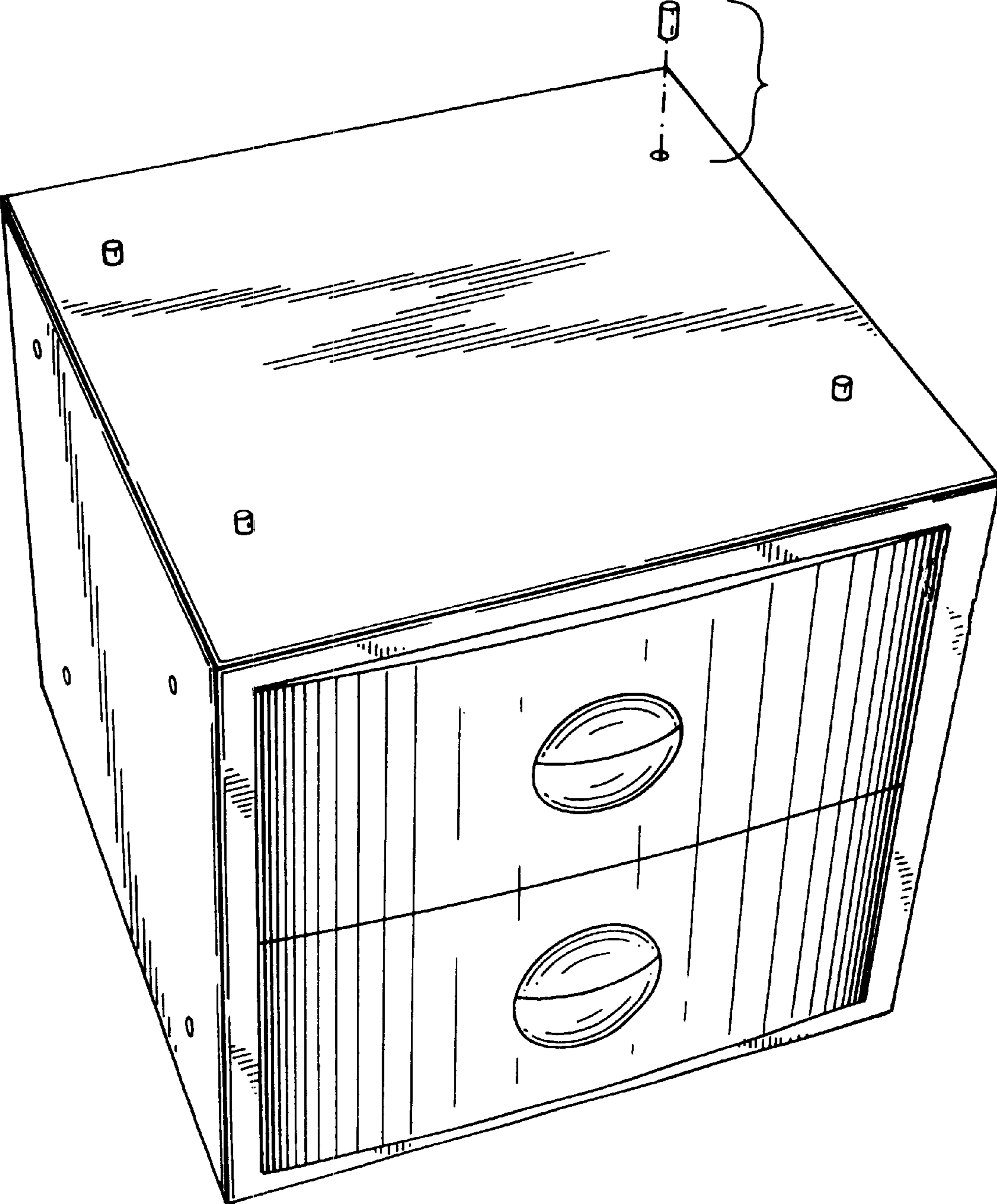


FIG. 2

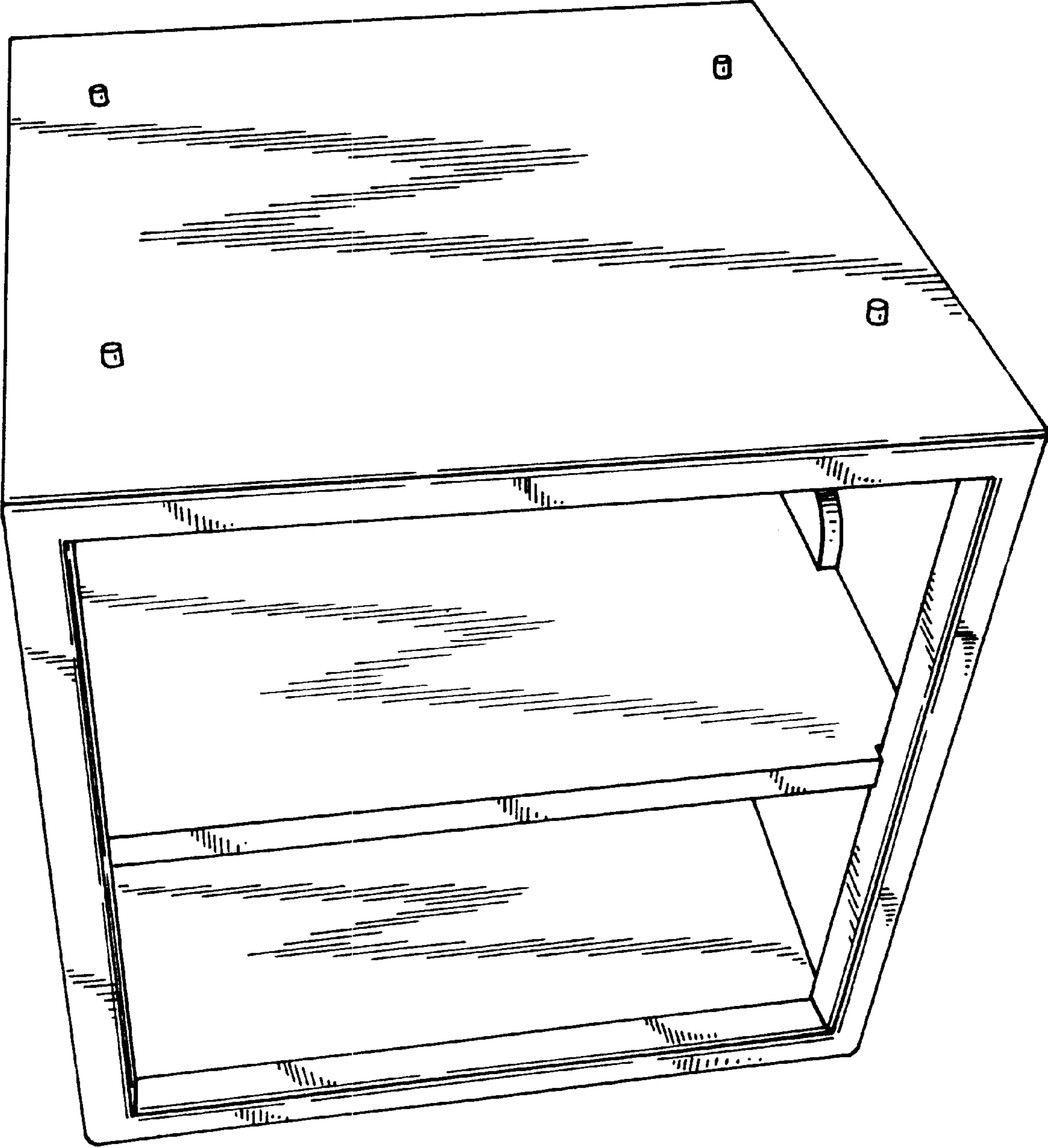


FIG. 3

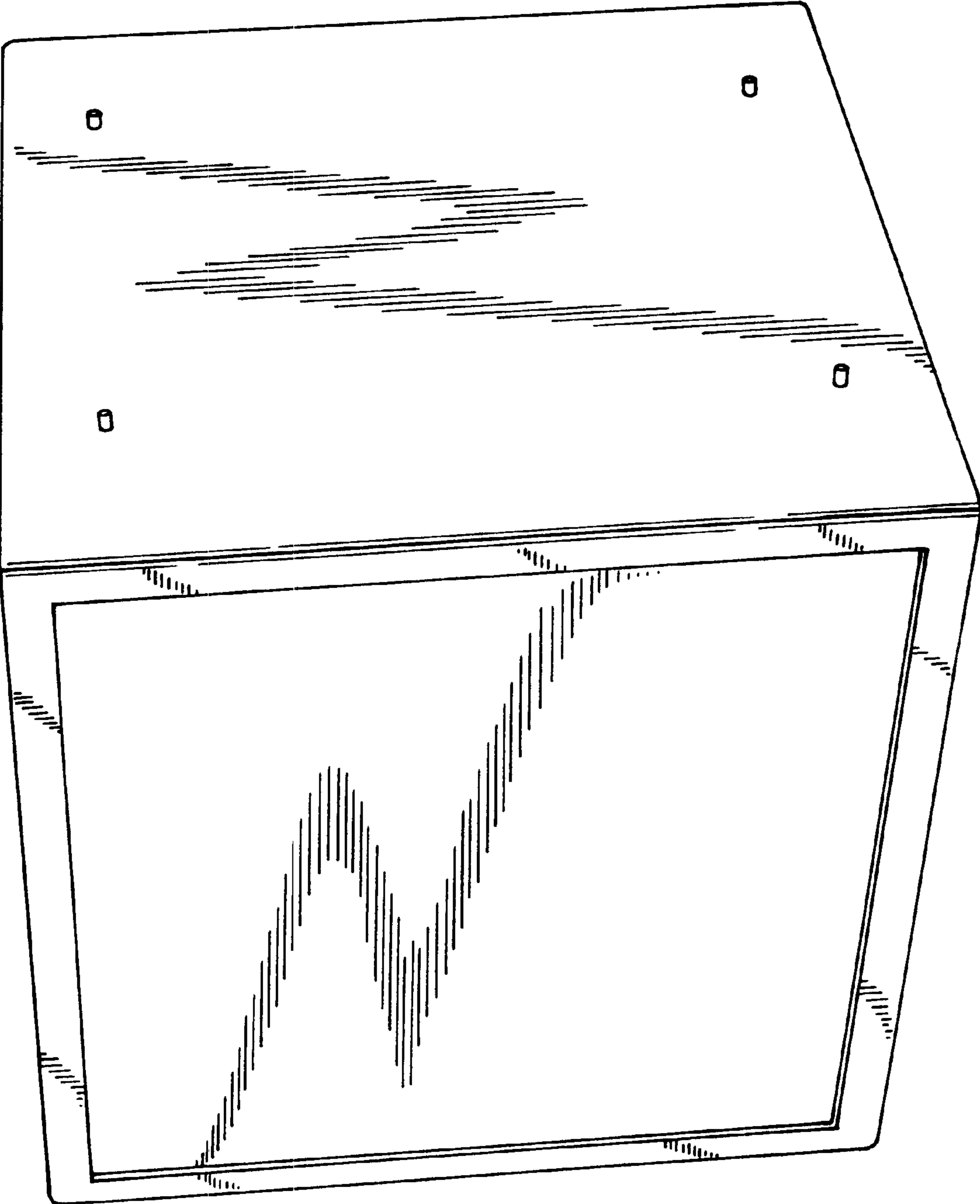


FIG. 4

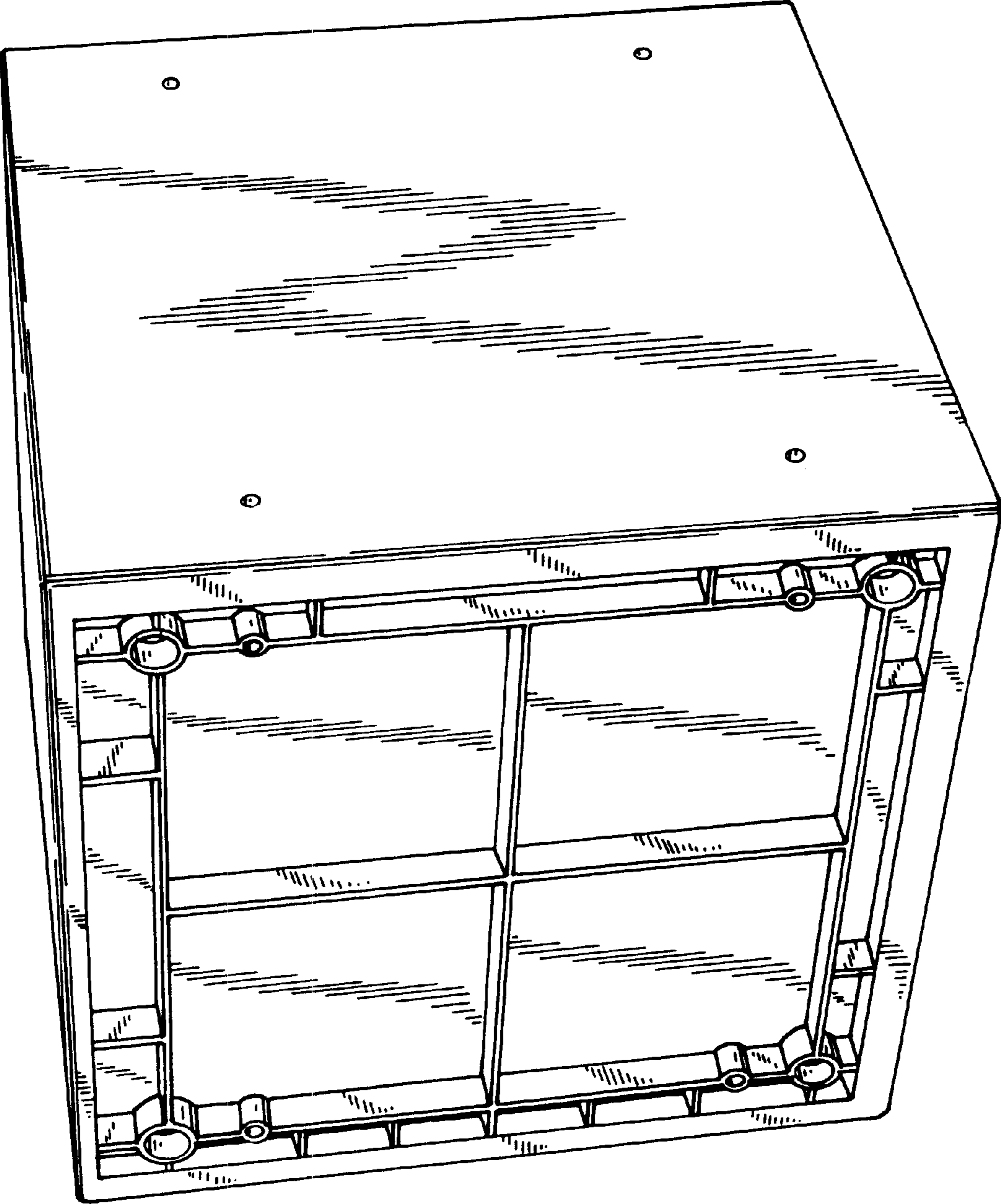


FIG. 5

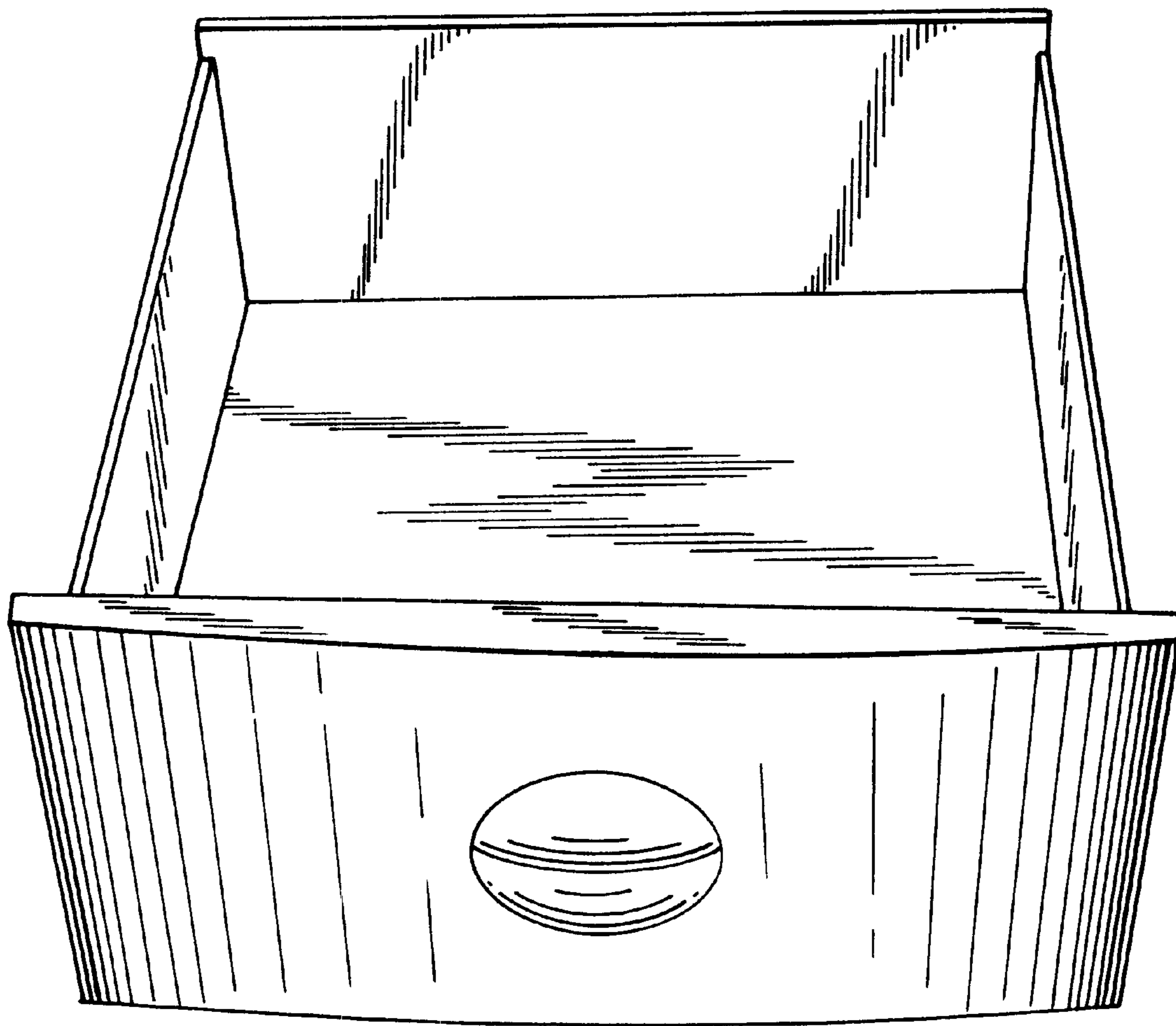


FIG. 6

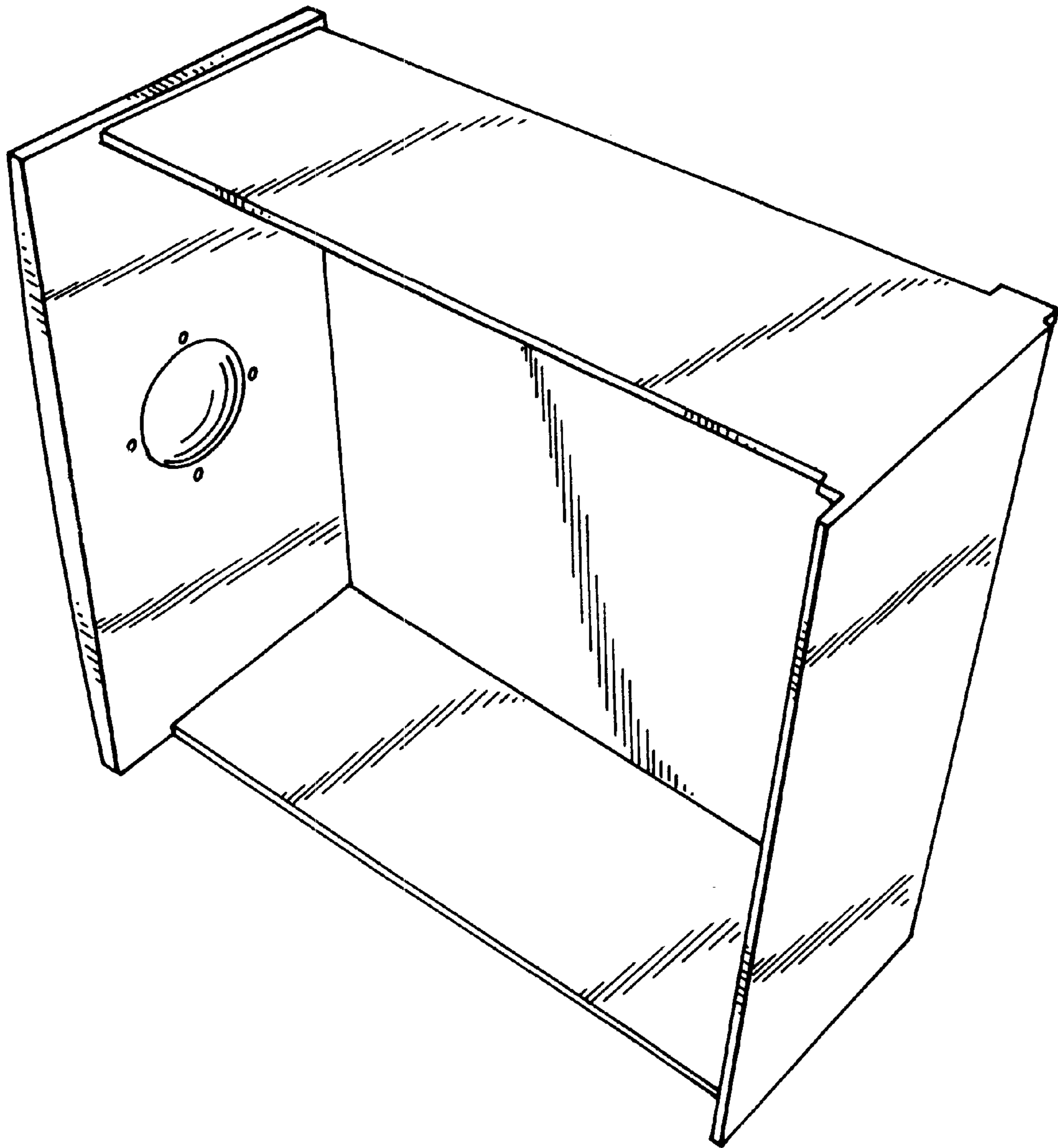


FIG. 7

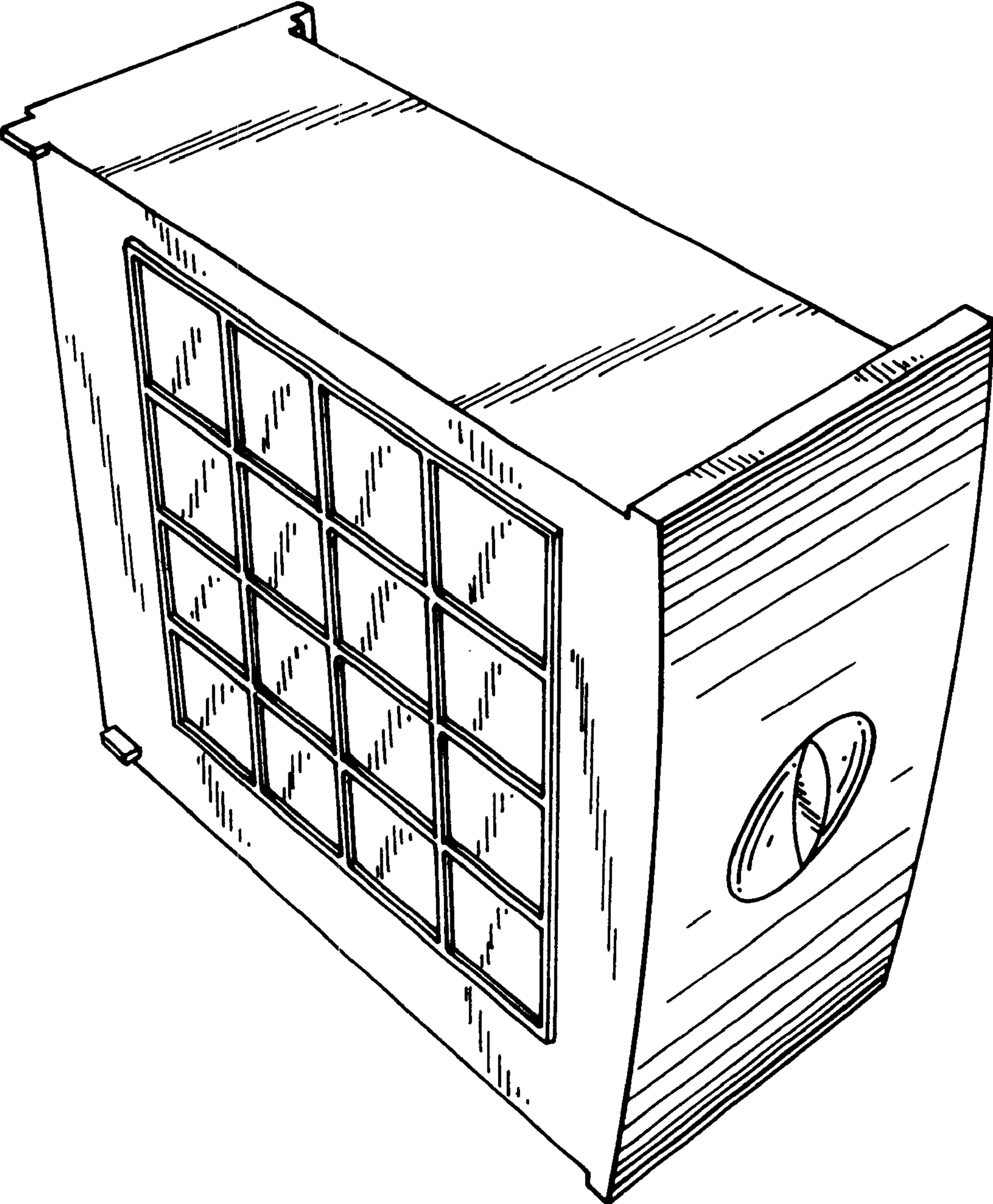


FIG. 8

