



US00D501613S

(12) **United States Design Patent**
Kaltenmark et al.

(10) **Patent No.:** **US D501,613 S**
(45) **Date of Patent:** **** Feb. 8, 2005**

(54) **BLOW MOLDED FOLDING CHAIR**

(75) Inventors: **Eric M. Kaltenmark**, Chuckey, TN
(US); **George Lawrence Huff**, Afton,
TN (US)

(73) Assignee: **Meco Corporation**, Greenville, TN
(US)

(**) Term: **14 Years**

(21) Appl. No.: **29/168,405**

(22) Filed: **Oct. 1, 2002**

(51) **LOC (7) Cl.** **06-01**

(52) **U.S. Cl.** **D6/368**

(58) **Field of Search** D6/334-336, 368,
D6/374, 376, 379, 380, 496, 500-502;
297/16.1, 40, 41, 55, 58, 183.7, 452.1

(56) **References Cited**

U.S. PATENT DOCUMENTS

D443,429 S * 6/2001 Mower et al. D6/368
D465,665 S * 11/2002 Ritchie et al. D6/368

D465,939 S * 11/2002 Kolberg D6/368
D465,940 S * 11/2002 Nien D6/368
D467,759 S * 12/2002 Dellinger D6/496

* cited by examiner

Primary Examiner—Stacia Cadmus

Assistant Examiner—Mimosa De

(74) *Attorney, Agent, or Firm*—McGuireWoods LLP

(57) **CLAIM**

The ornamental design for a blow molded folding chair, as shown and described.

DESCRIPTION

FIG. 1 is a front quarter view of a blow molded folding chair showing our new design;

FIG. 2 is a rear perspective view thereof;

FIG. 3 is a front view thereof;

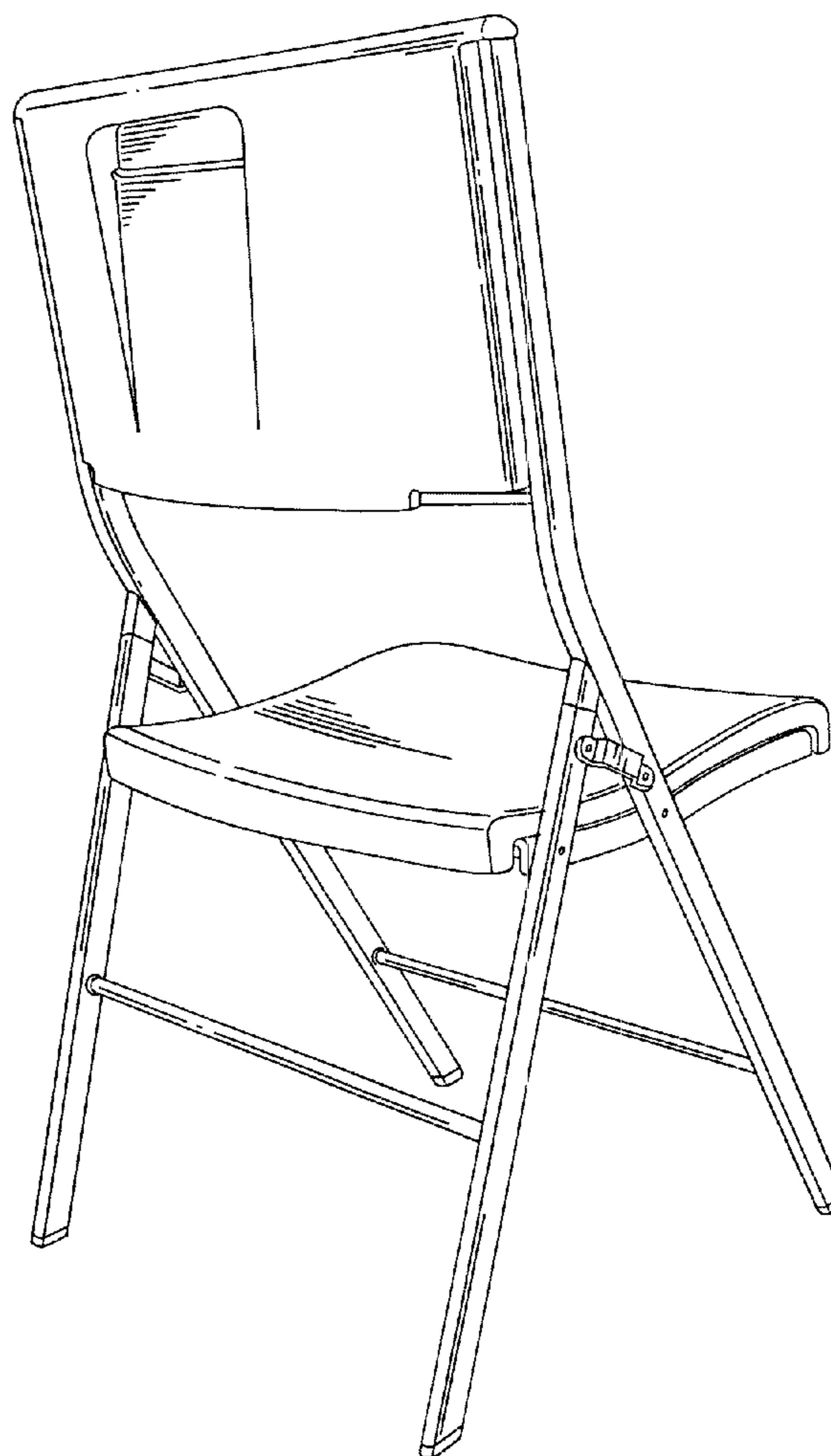
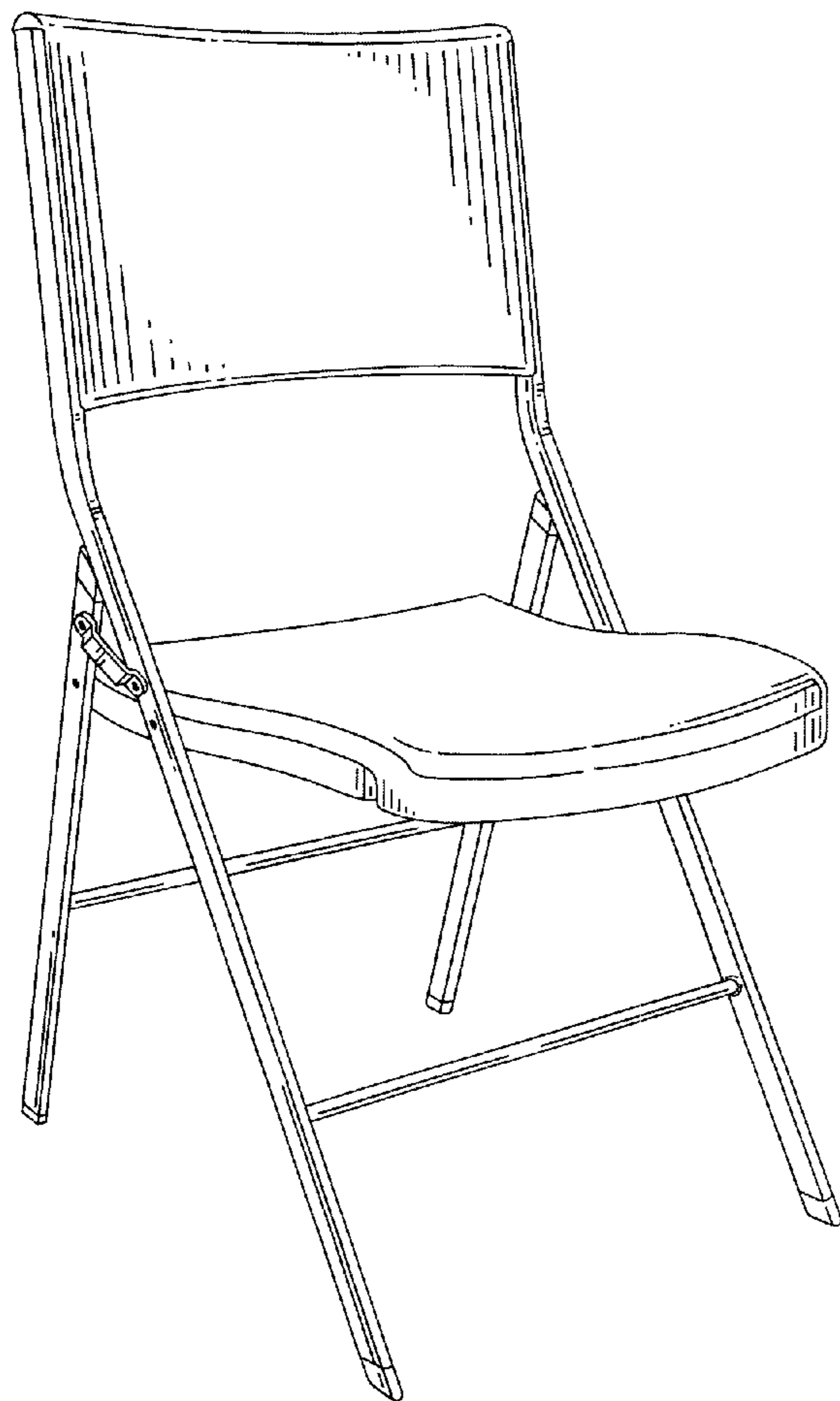
FIG. 4 is a back view thereof;

FIG. 5 is a right side elevational view thereof, the left side being a mirror image thereof;

FIG. 6 is a top plan view thereof; and,

FIG. 7 is a bottom plan view thereof.

1 Claim, 7 Drawing Sheets



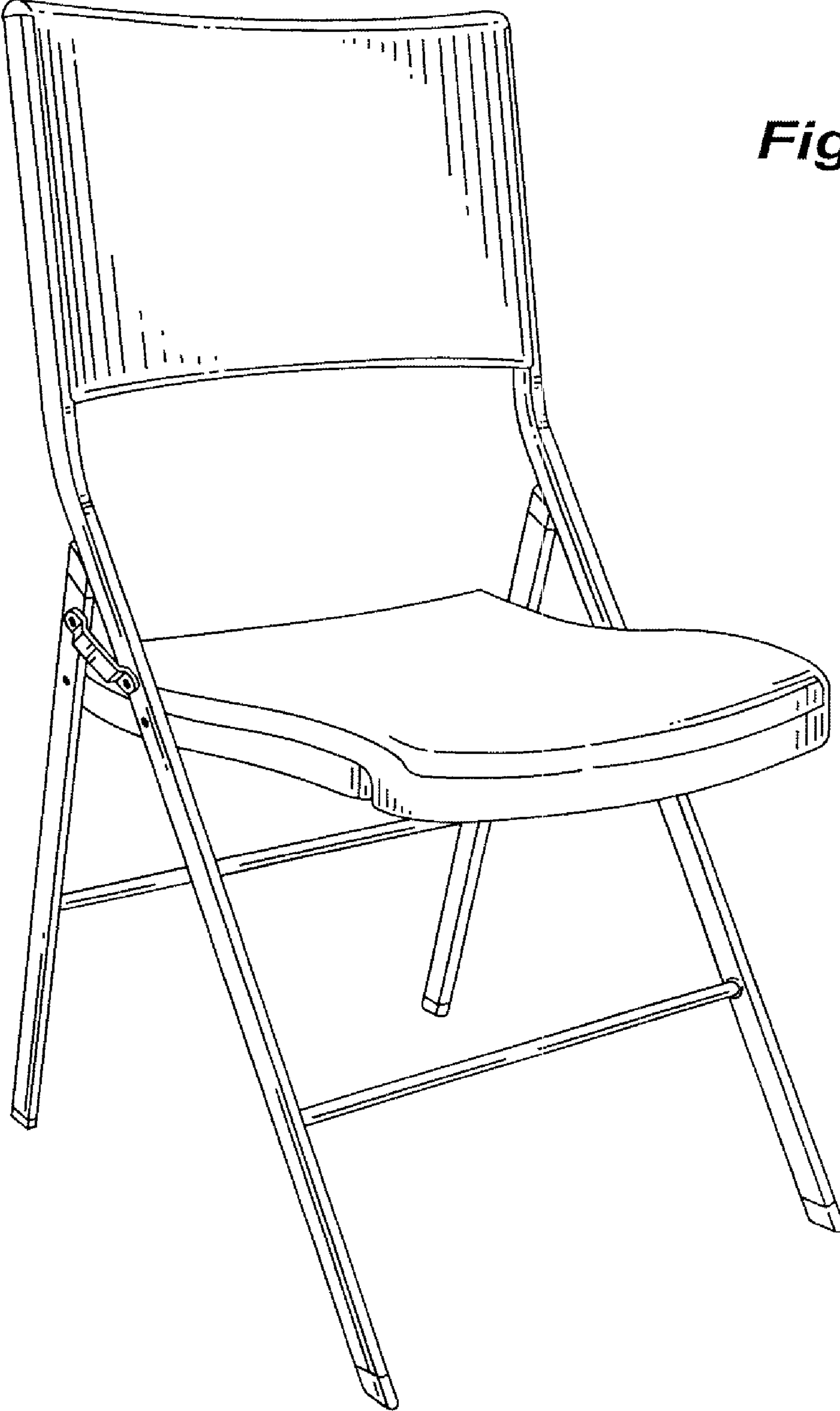


Fig. 1

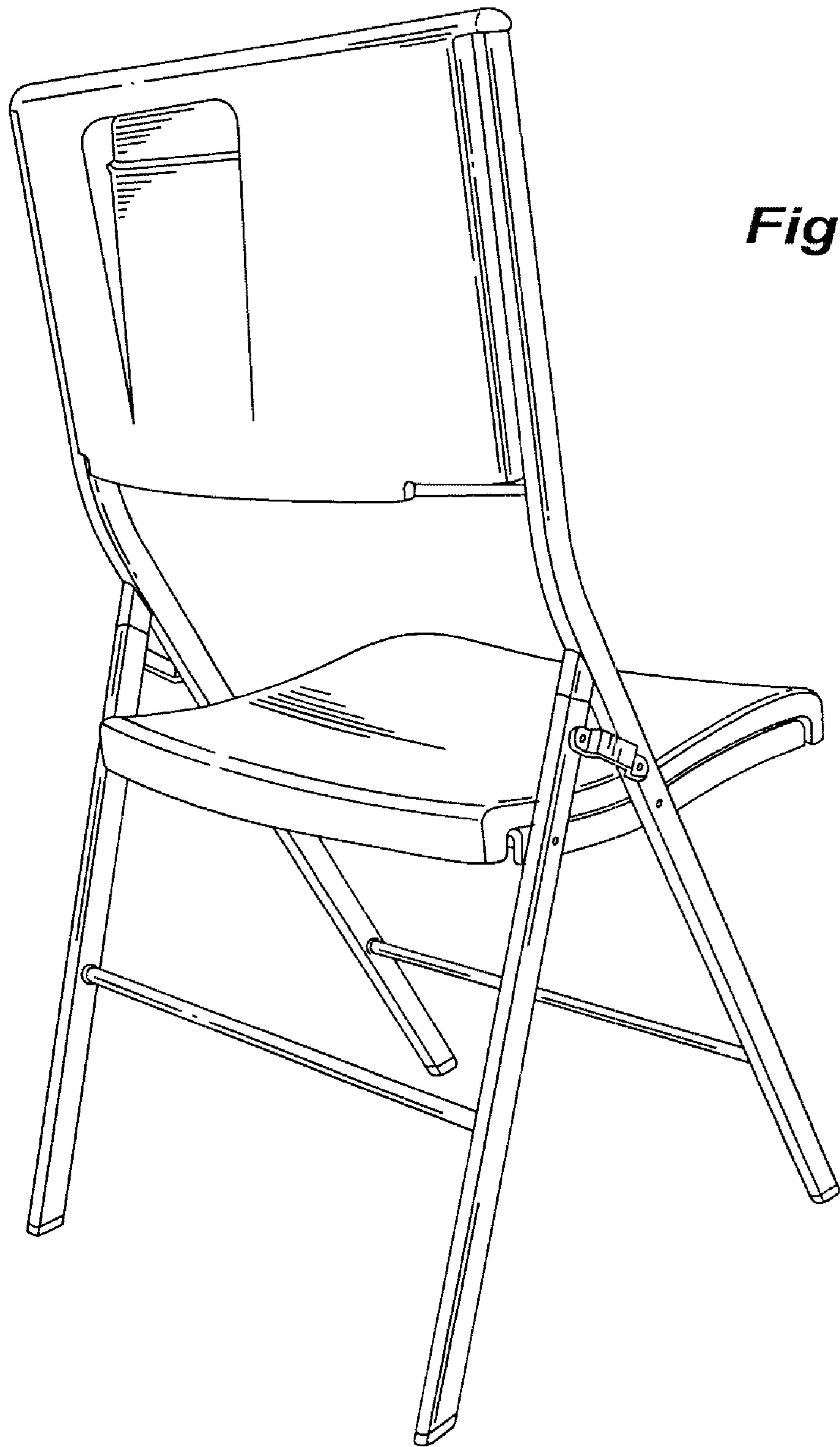


Fig. 2

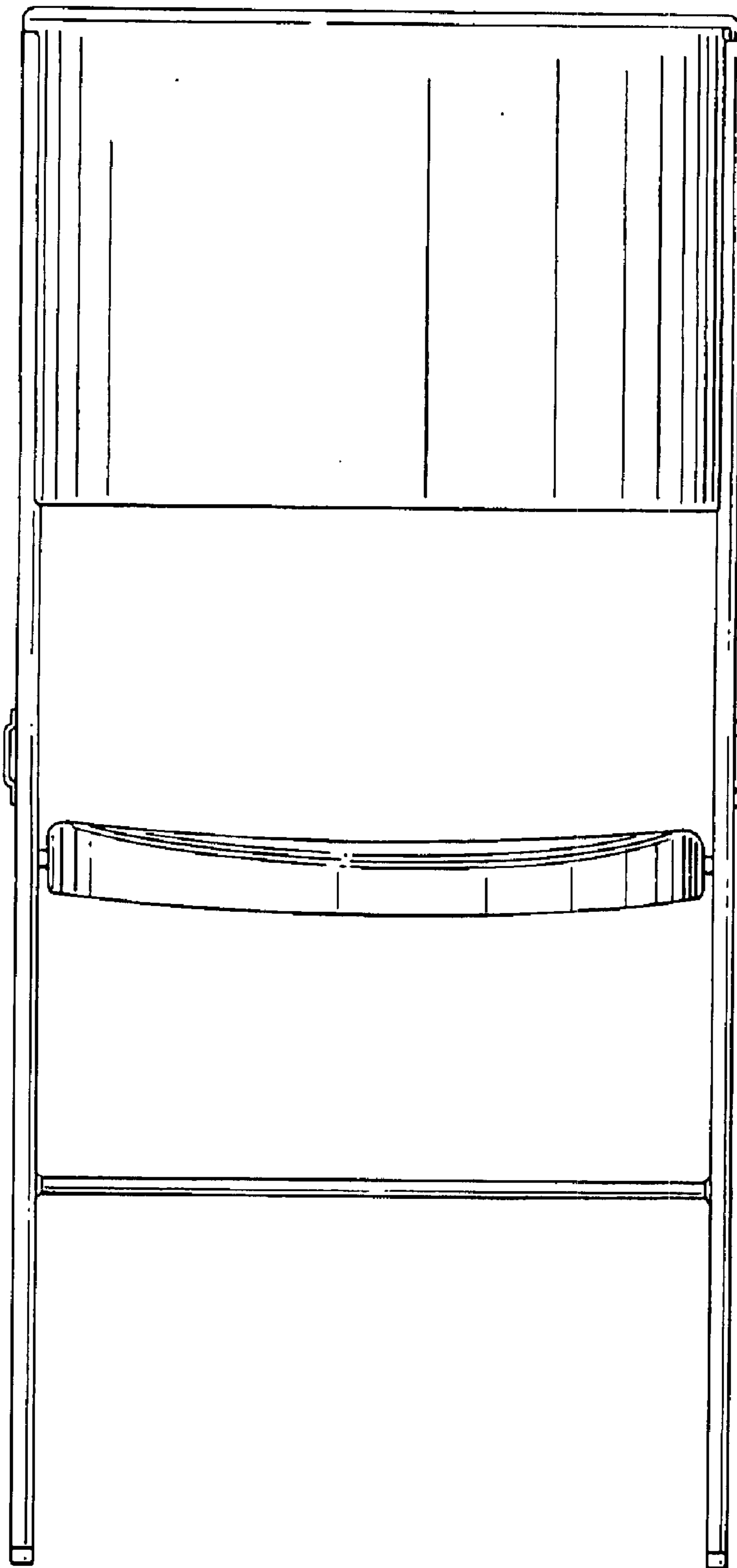


Fig. 3

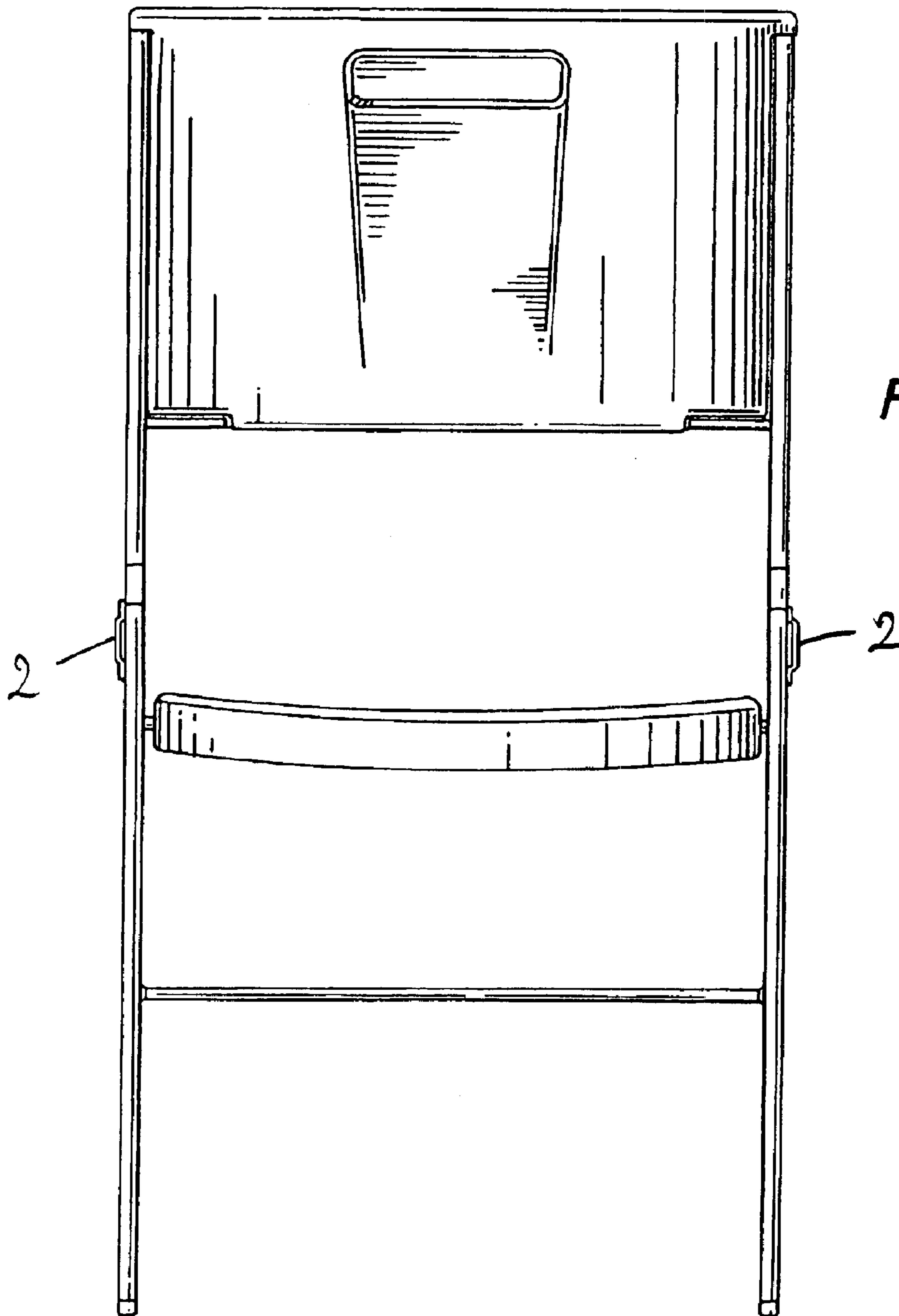
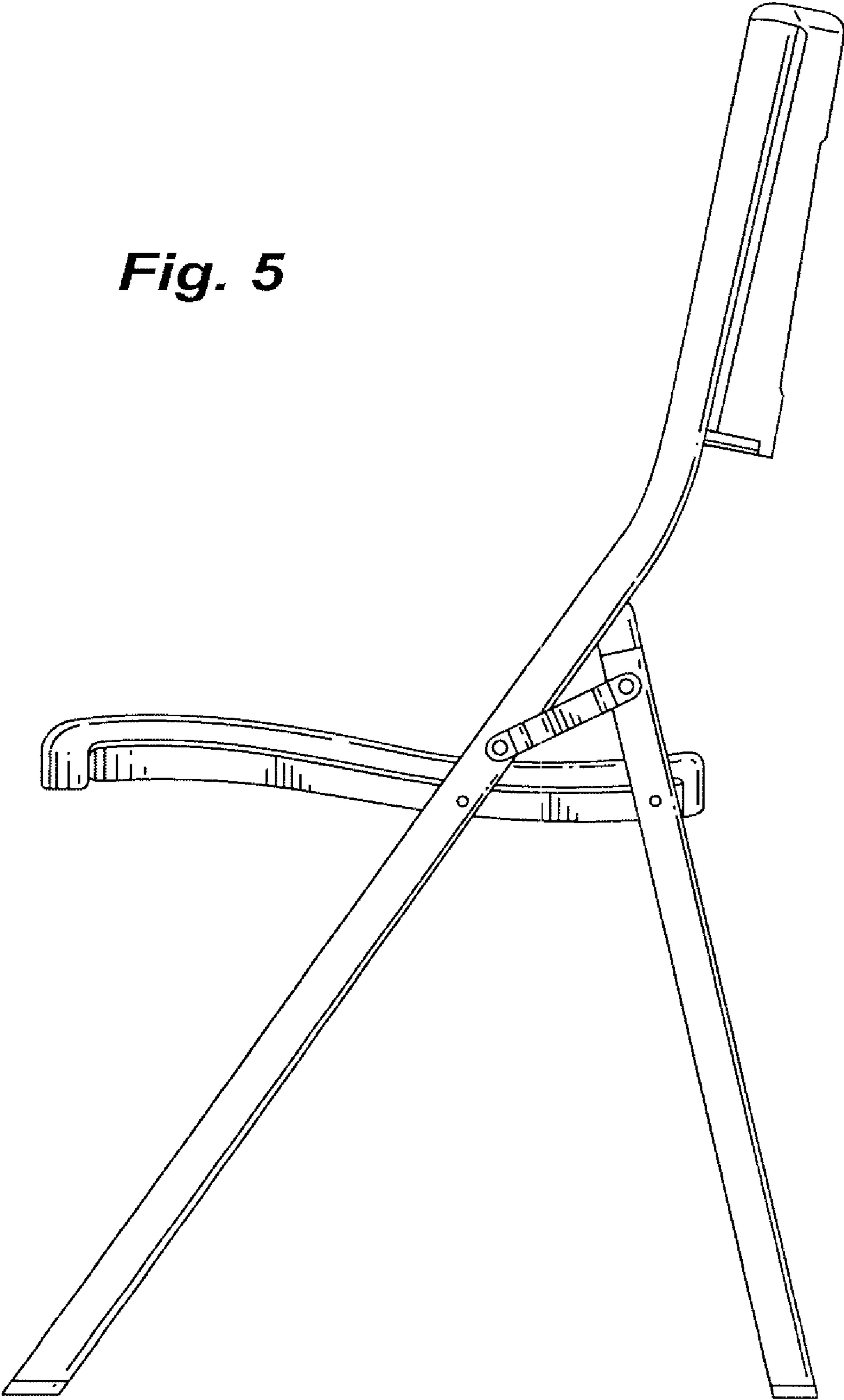


Fig. 4

Fig. 5



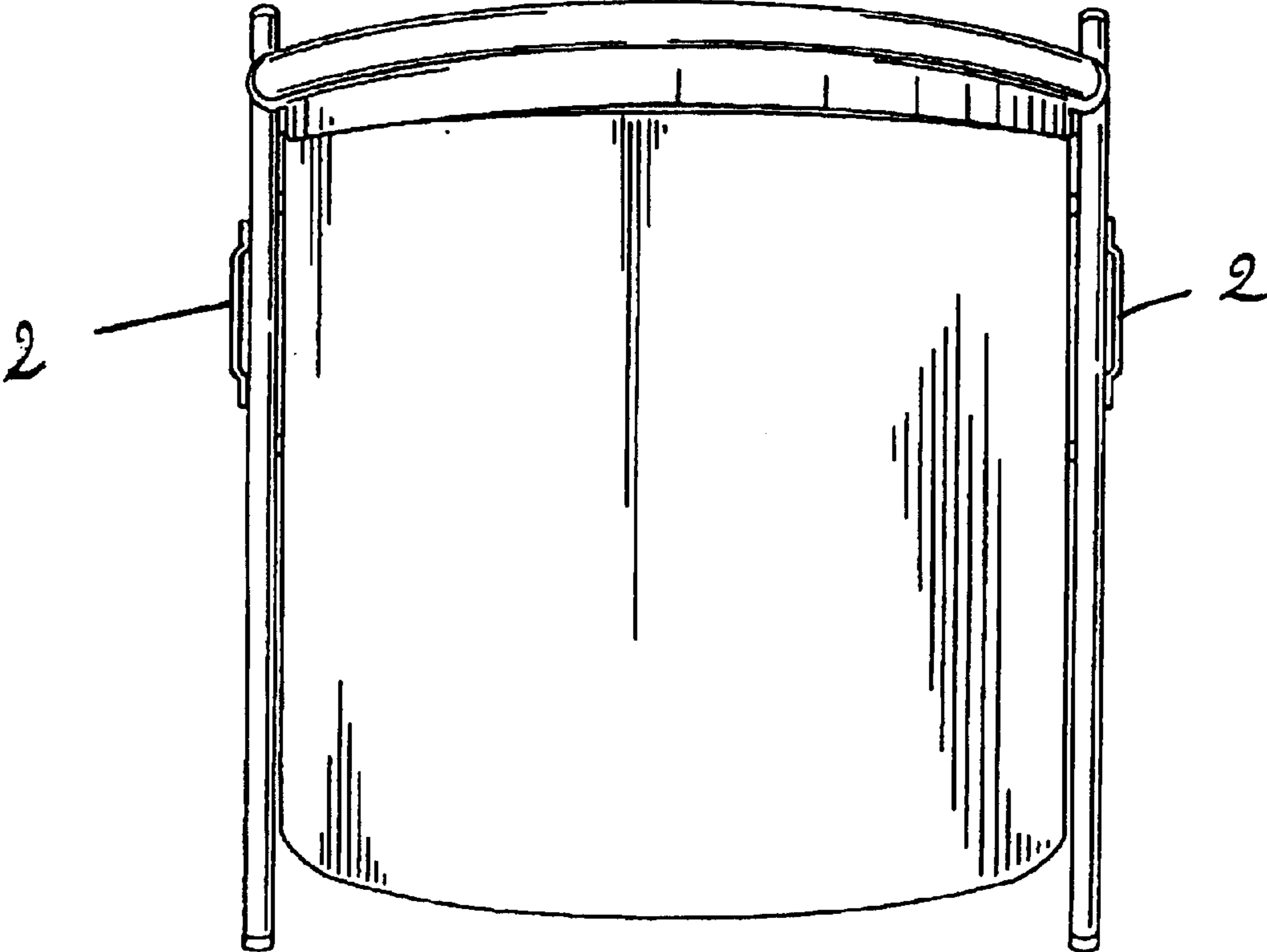


Fig. 6

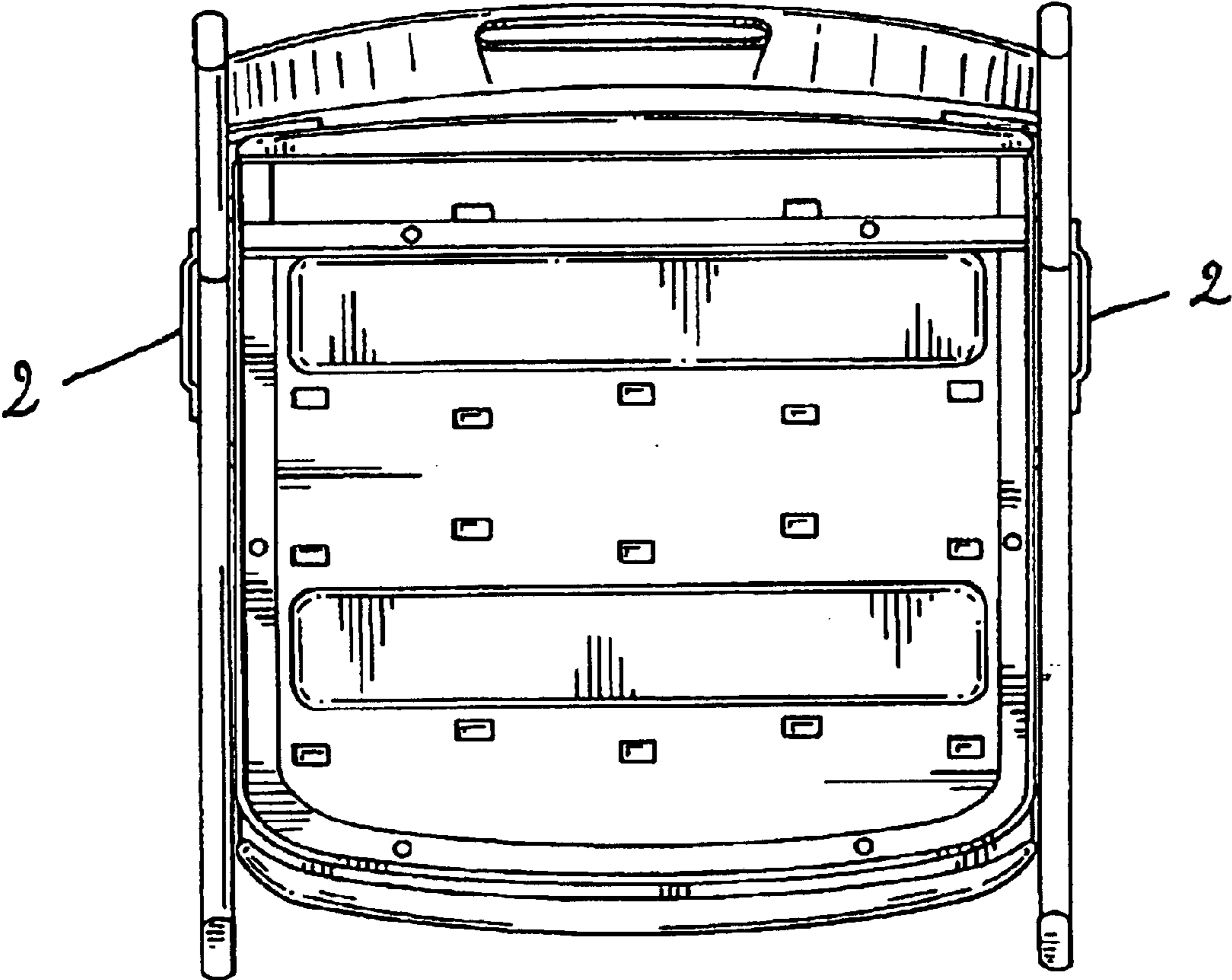


Fig. 7