

US00D501612S

(12) **United States Design Patent**
Koch et al.

(10) **Patent No.:** **US D501,612 S**
(45) **Date of Patent:** **** Feb. 8, 2005**

(54) **ARMLESS CHAIR**

(76) Inventors: **John Koch**, 369 Camden Rd., Iowa City, IA (US) 51245; **Ogden R. Olson**, 2043 Mississippi View Dr., Muscatine, IA (US) 52761

(**) Term: **14 Years**

(21) Appl. No.: **29/198,621**

(22) Filed: **Jan. 30, 2004**

(51) **LOC (7) Cl.** **06-01**

(52) **U.S. Cl.** **D6/366; D6/500**

(58) **Field of Search** D6/334, 335, 364, D6/365, 366, 367, 500-502; 297/411.2, 411.27, 411.28, 411.29

(56) **References Cited**

U.S. PATENT DOCUMENTS

D288,872 S	*	3/1987	Schultz	D6/366
D309,384 S	*	7/1990	Buhk	D6/366
D362,973 S	*	10/1995	Schultz	D6/366
D377,424 S	*	1/1997	Olson	D6/366
D396,976 S	*	8/1998	Cronk	D6/500
D414,951 S	*	10/1999	Breen	D6/366
D437,702 S	*	2/2001	Koepke et al.	D6/366

D442,791 S	*	5/2001	Simons et al.	D6/366
D444,638 S	*	7/2001	Magnusson et al.	D6/366
D459,903 S	*	7/2002	Lo	D6/366

* cited by examiner

Primary Examiner—Gary D. Watson

(74) *Attorney, Agent, or Firm*—Joseph H. Golant; Jones Day

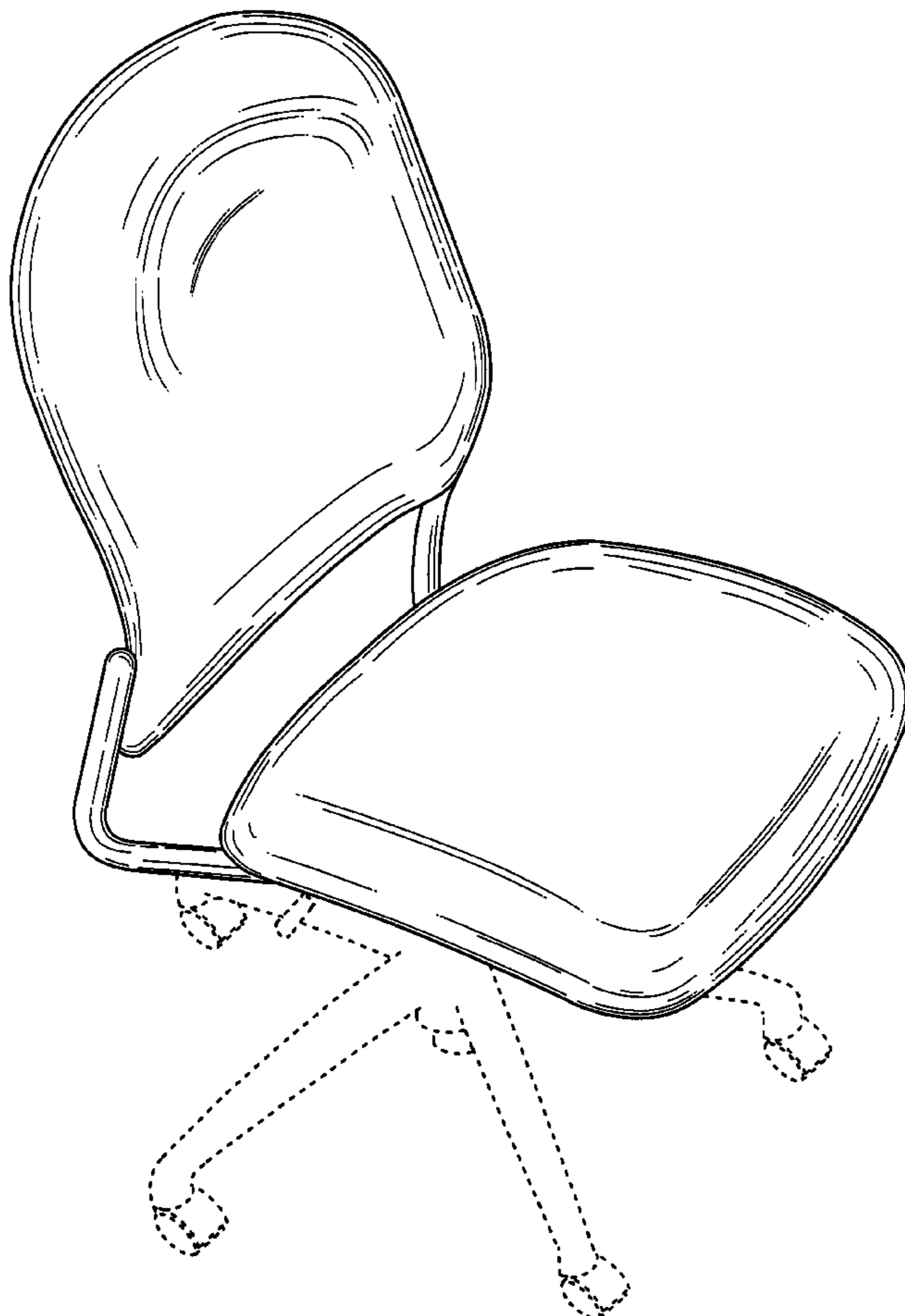
(57) **CLAIM**

We claim the ornamental design for an armless chair, as shown and described.

DESCRIPTION

FIG. 1 is a front perspective view of an armless chair showing the new design;
FIG. 2 is a right side view thereof;
FIG. 3 is a left side view thereof;
FIG. 4 is a front view thereof;
FIG. 5 is a back view thereof;
FIG. 6 is a top plan view thereof; and,
FIG. 7 is a bottom plan view thereof.
The dashed lines shown in FIGS. 1-7 represent environmental subject matter and form no part of the claimed design.

1 Claim, 4 Drawing Sheets



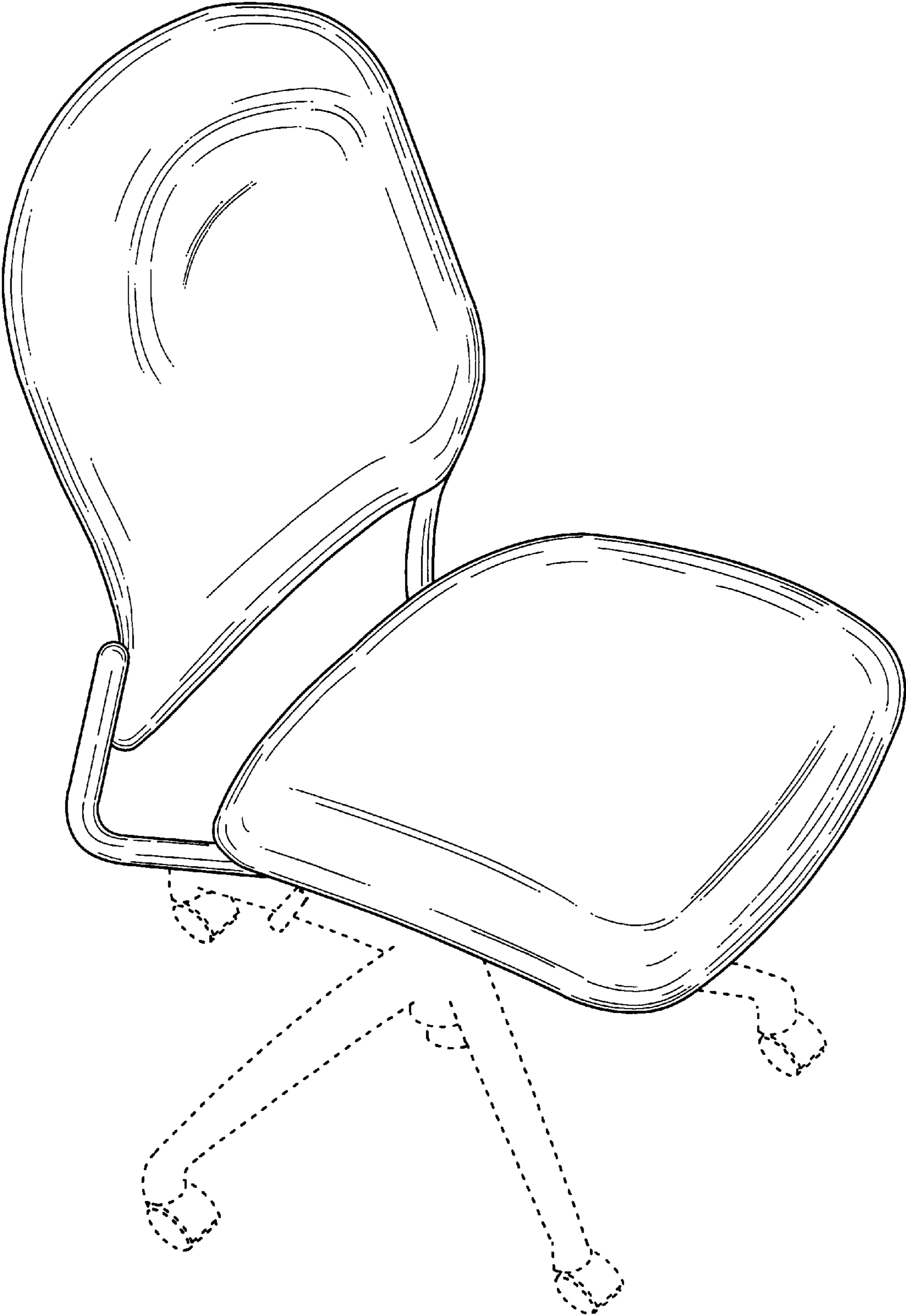


Fig. 1

Fig. 3

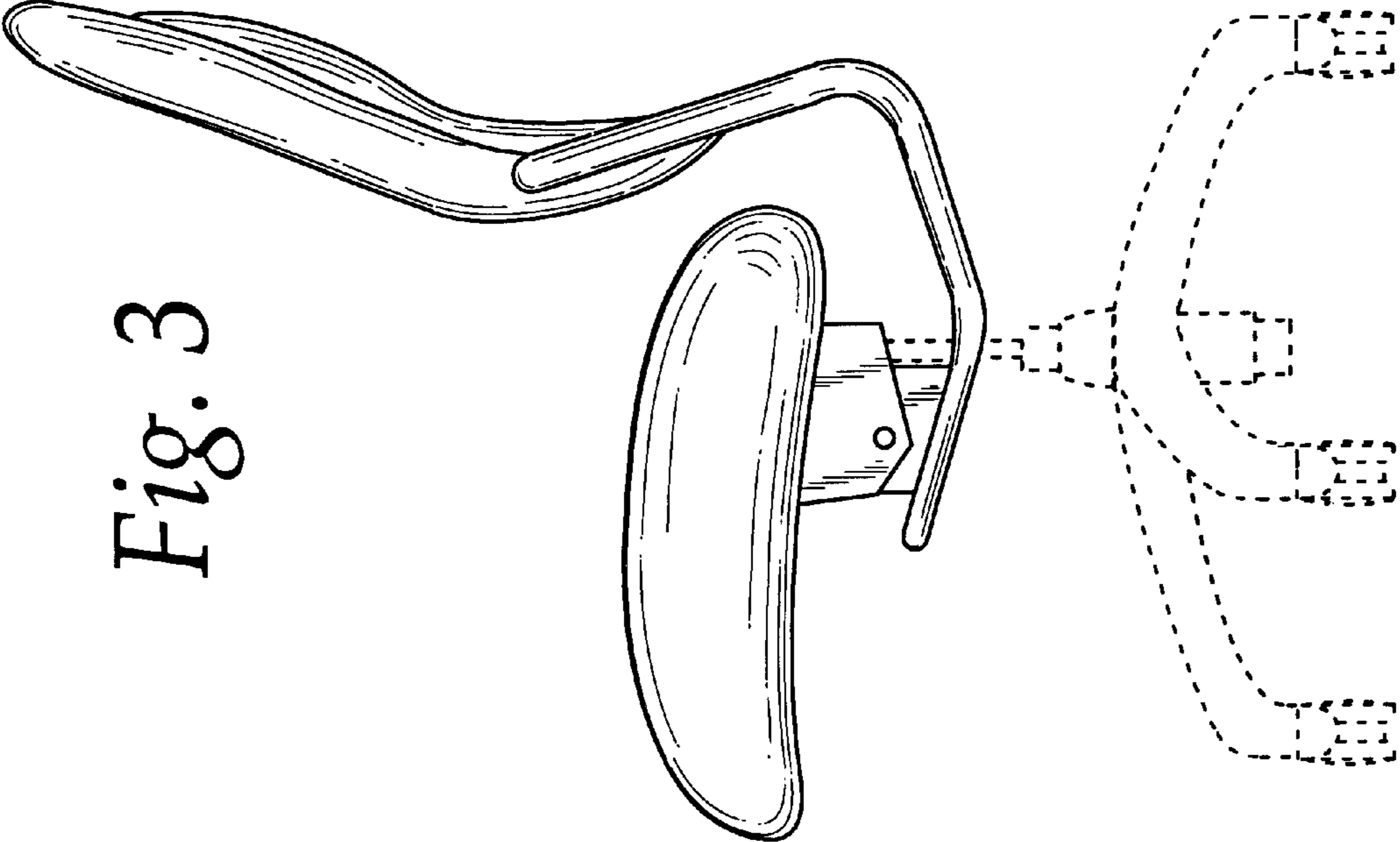
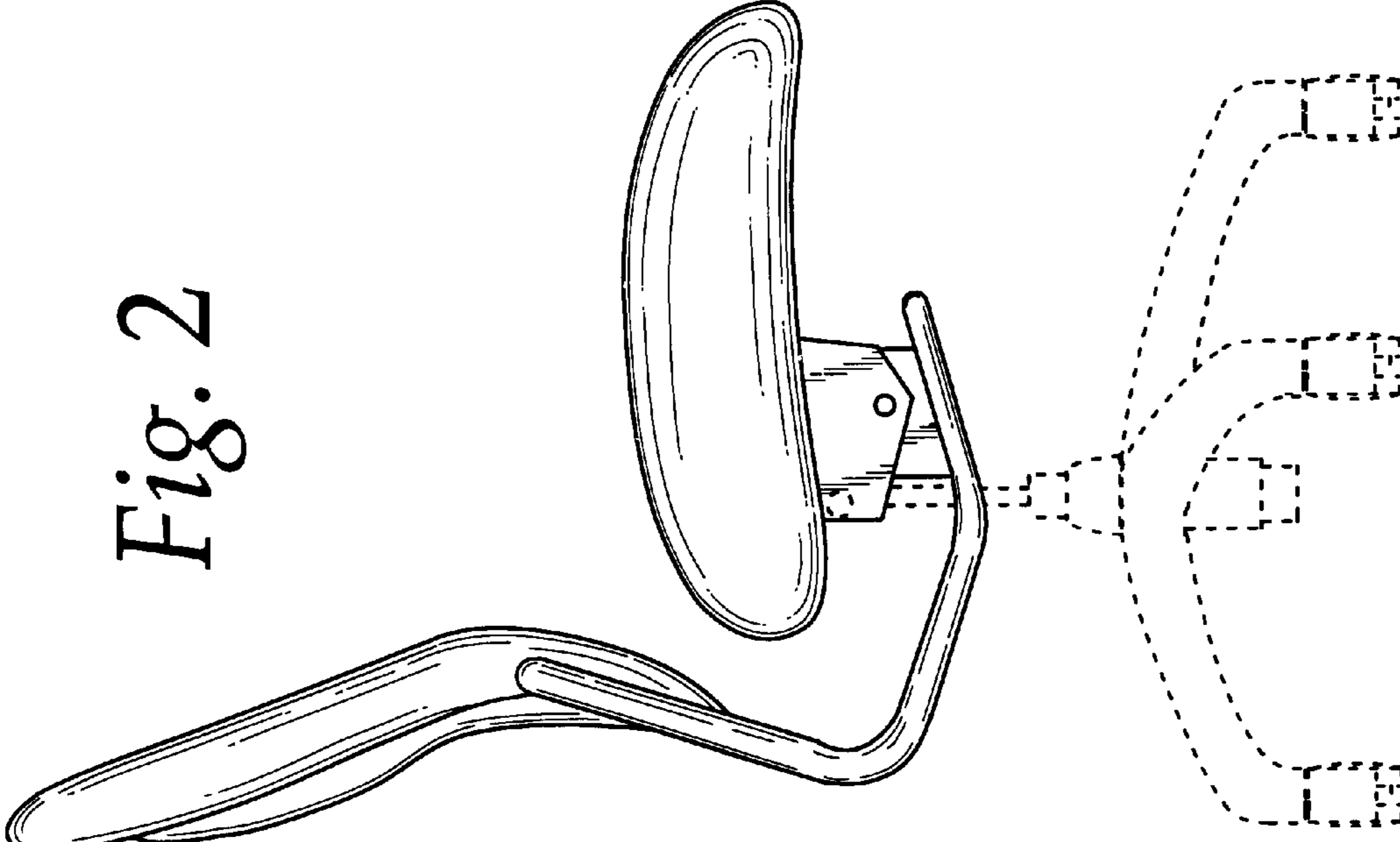


Fig. 2



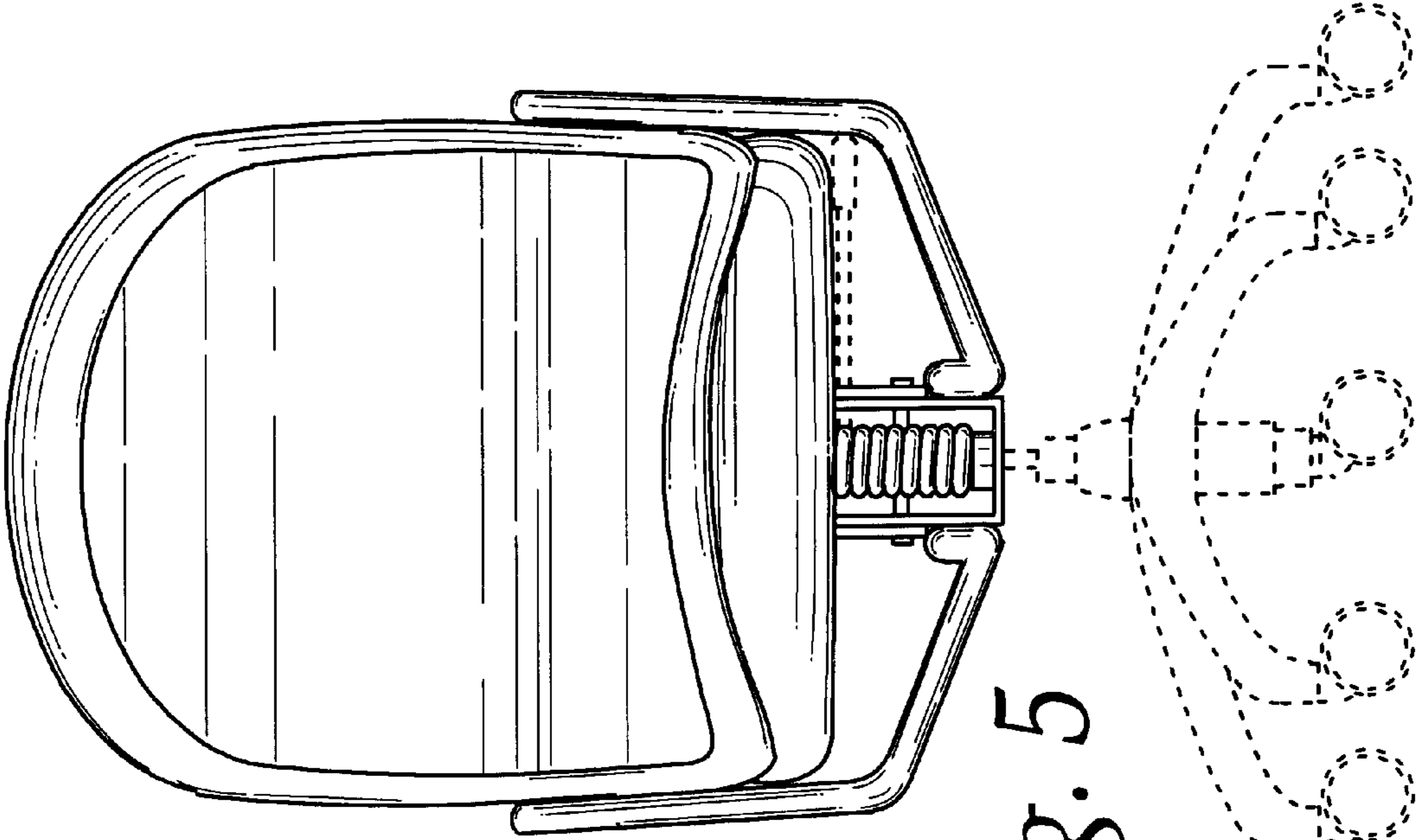


Fig. 5

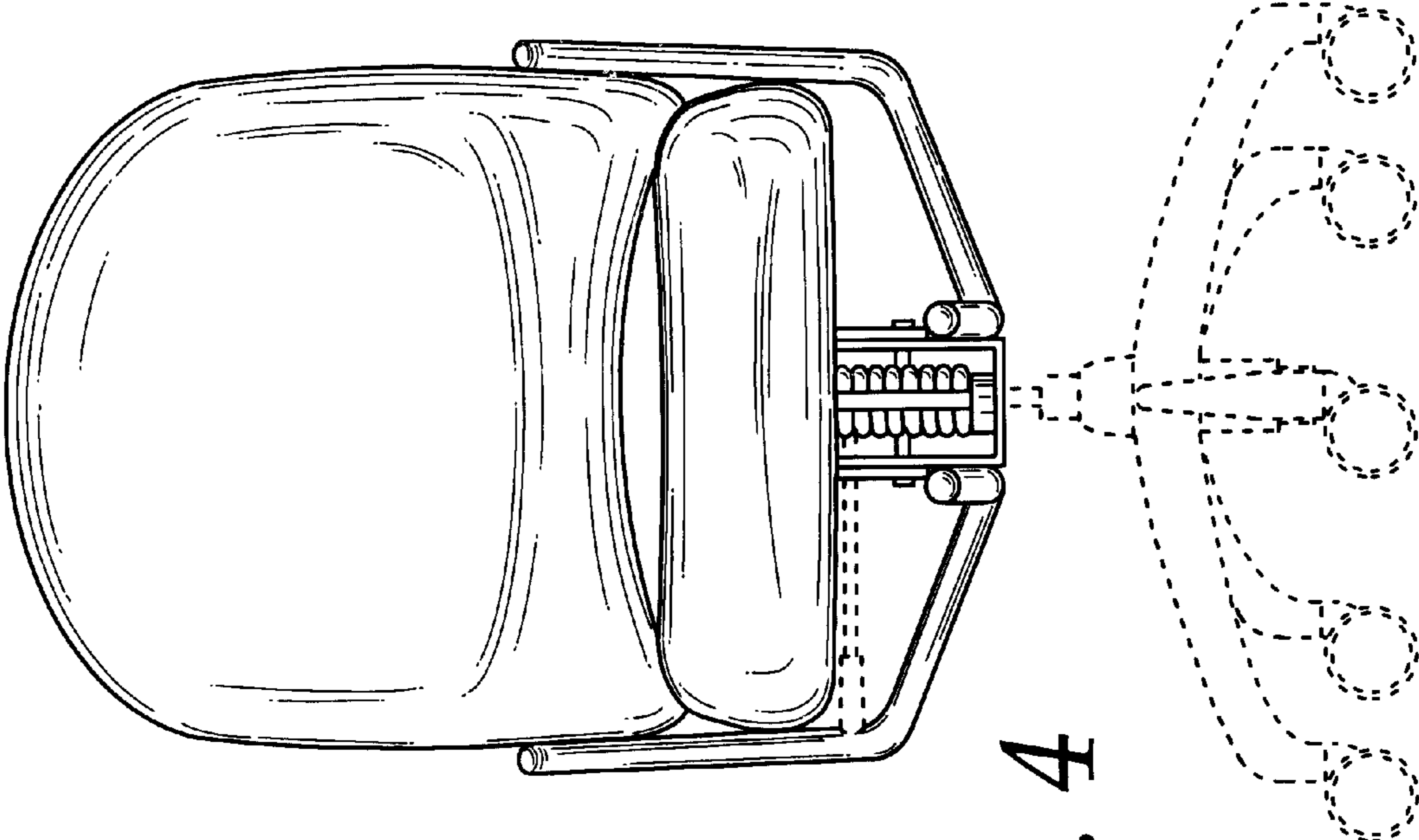


Fig. 4

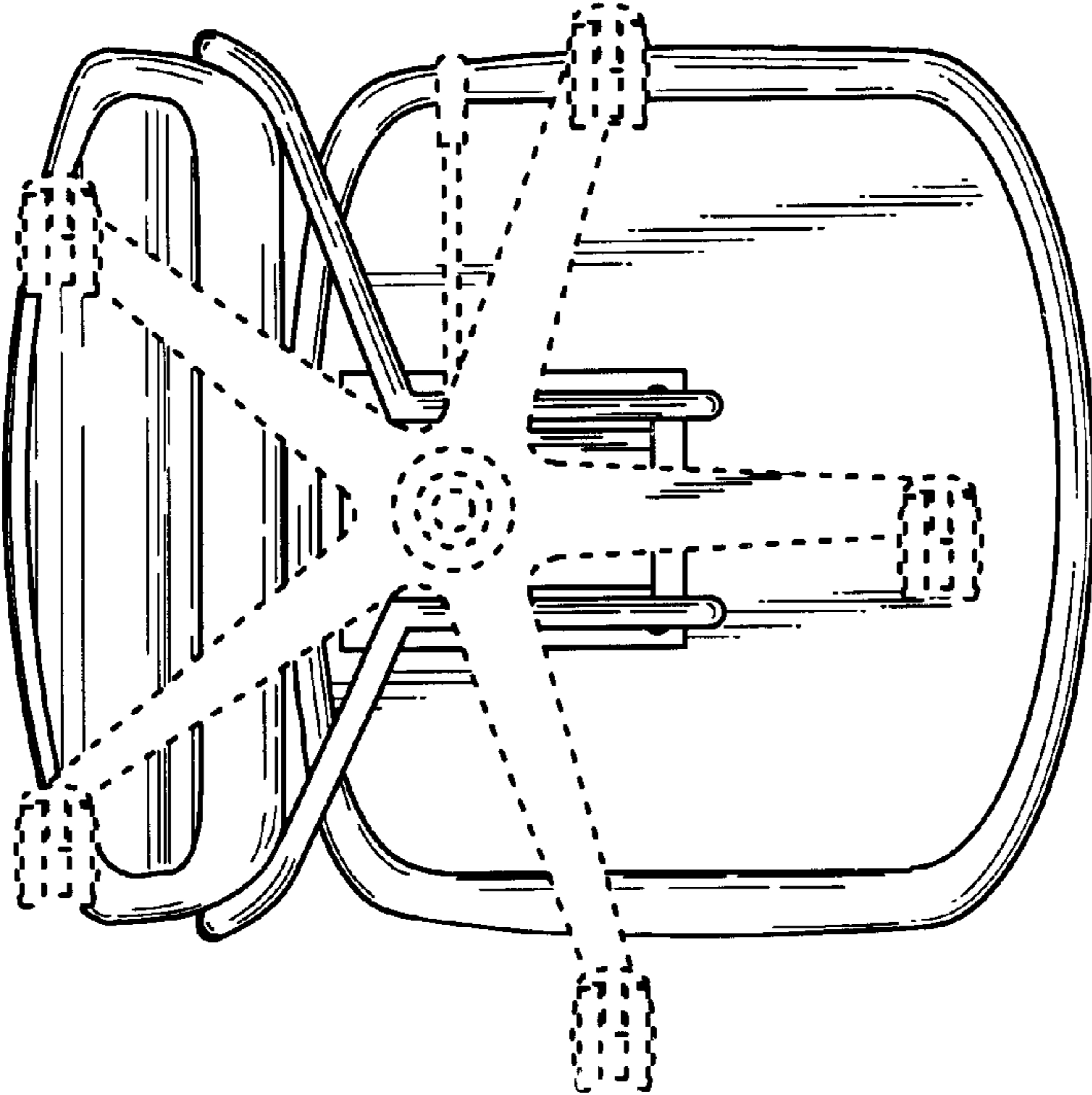


Fig. 7

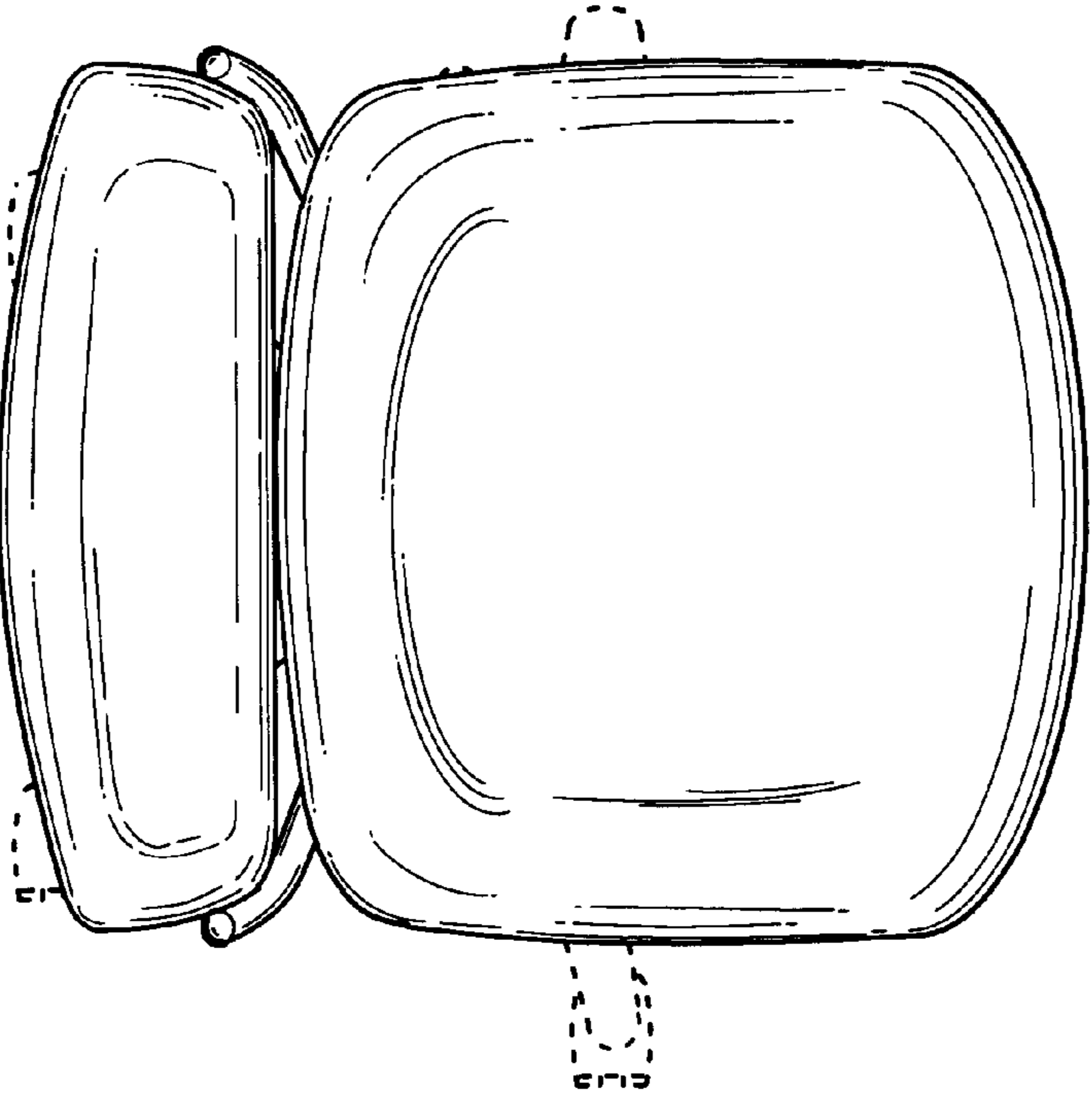


Fig. 6