

US00D501608S

(12) **United States Design Patent**  
**Uffner et al.**

(10) **Patent No.:** **US D501,608 S**  
(45) **Date of Patent:** **\*\* Feb. 8, 2005**

(54) **ICE SCRAPER WITH BRUSH AND HARDENED TIP**

D456,143 S \* 4/2002 Ingram ..... D4/118

\* cited by examiner

(75) Inventors: **Michael Uffner**, Naperville, IL (US);  
**Torrence Anderson**, Overland Park, KS (US)

*Primary Examiner*—Alan P. Douglas  
*Assistant Examiner*—Lavone D. Tabor  
(74) *Attorney, Agent, or Firm*—McHale & Slavin, P.A.

(73) Assignee: **Suncast Corporation**, Batavia, IL (US)

(57) **CLAIM**

(\*\*) Term: **14 Years**

The ornamental design for a ice scraper with brush and hardened tip, as shown and described.

(21) Appl. No.: **29/206,314**

**DESCRIPTION**

(22) Filed: **May 28, 2004**

(51) **LOC (7) Cl.** ..... **04-01**

(52) **U.S. Cl.** ..... **D4/118; D4/121**

(58) **Field of Search** ..... D4/118, 121, 132, D4/134, 138; D32/42, 48, 49; 15/105, 111, 117, 143.1, 159.1, 160, 201, 202, 236.01, 236.02, 236.08; 16/110.1, 430, 431

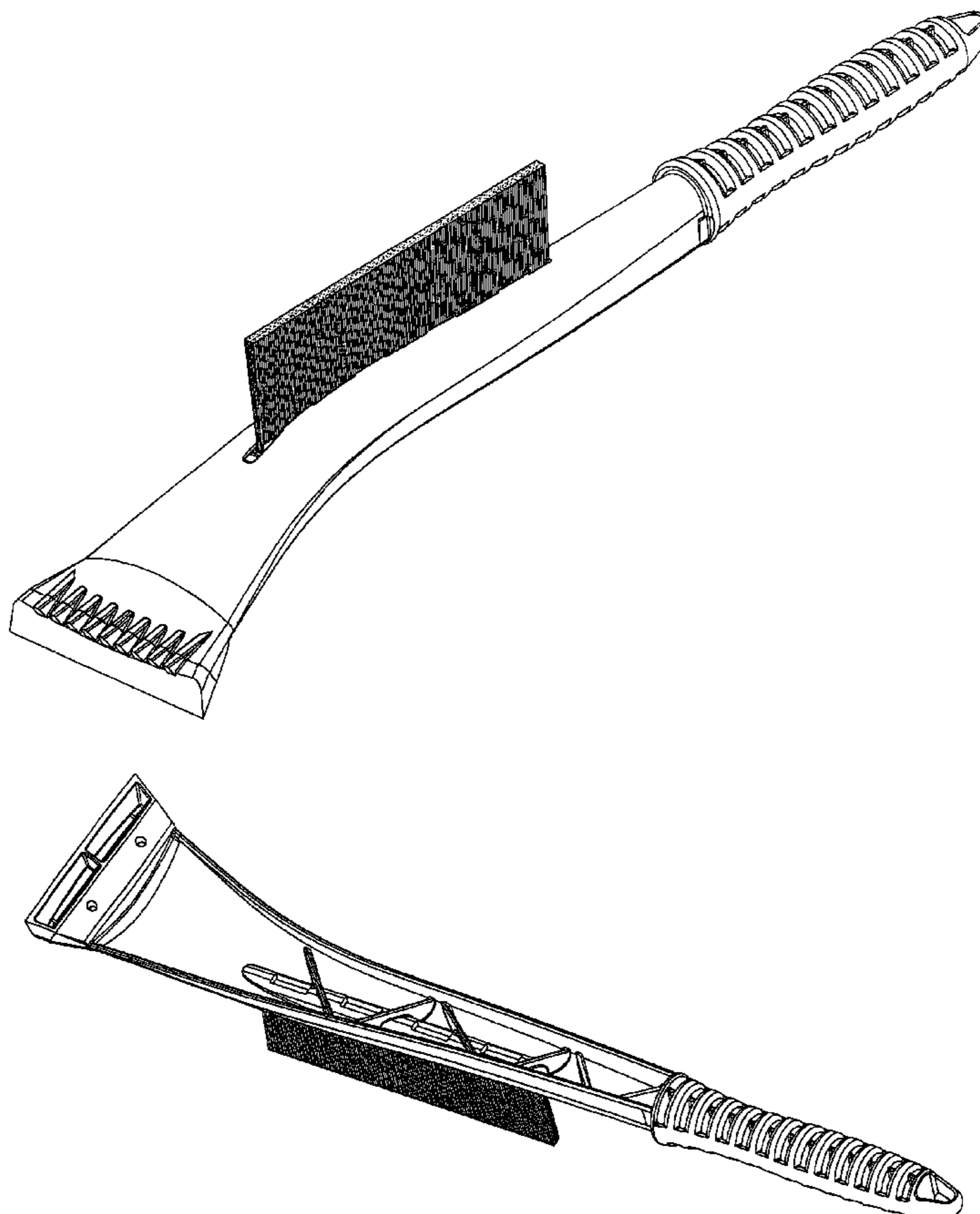
FIG. 1 is a upper perspective view of the ice scraper with brush and hardened tip of the instant invention;  
FIG. 2 is a lower perspective view thereof;  
FIG. 3 is an enlarged front end view thereof;  
FIG. 4 is an enlarged back end view thereof;  
FIG. 5 is a right side view thereof, the left side forming a mirror image thereof;  
FIG. 6 is top view thereof;  
FIG. 7 is a bottom view thereof;  
FIG. 8 is an exploded view of FIG. 2 depicting the hardened tip; and,  
FIG. 9 is an exploded view of FIG. 1 depicting the hardened tip and brush detached.

(56) **References Cited**

**U.S. PATENT DOCUMENTS**

- D265,269 S \* 7/1982 Frantz ..... D4/118
- 4,908,900 A \* 3/1990 McLaughlin et al. .... 15/111
- D337,436 S \* 7/1993 Hopkins ..... D4/118
- D373,251 S \* 9/1996 Young ..... D4/118

**1 Claim, 8 Drawing Sheets**



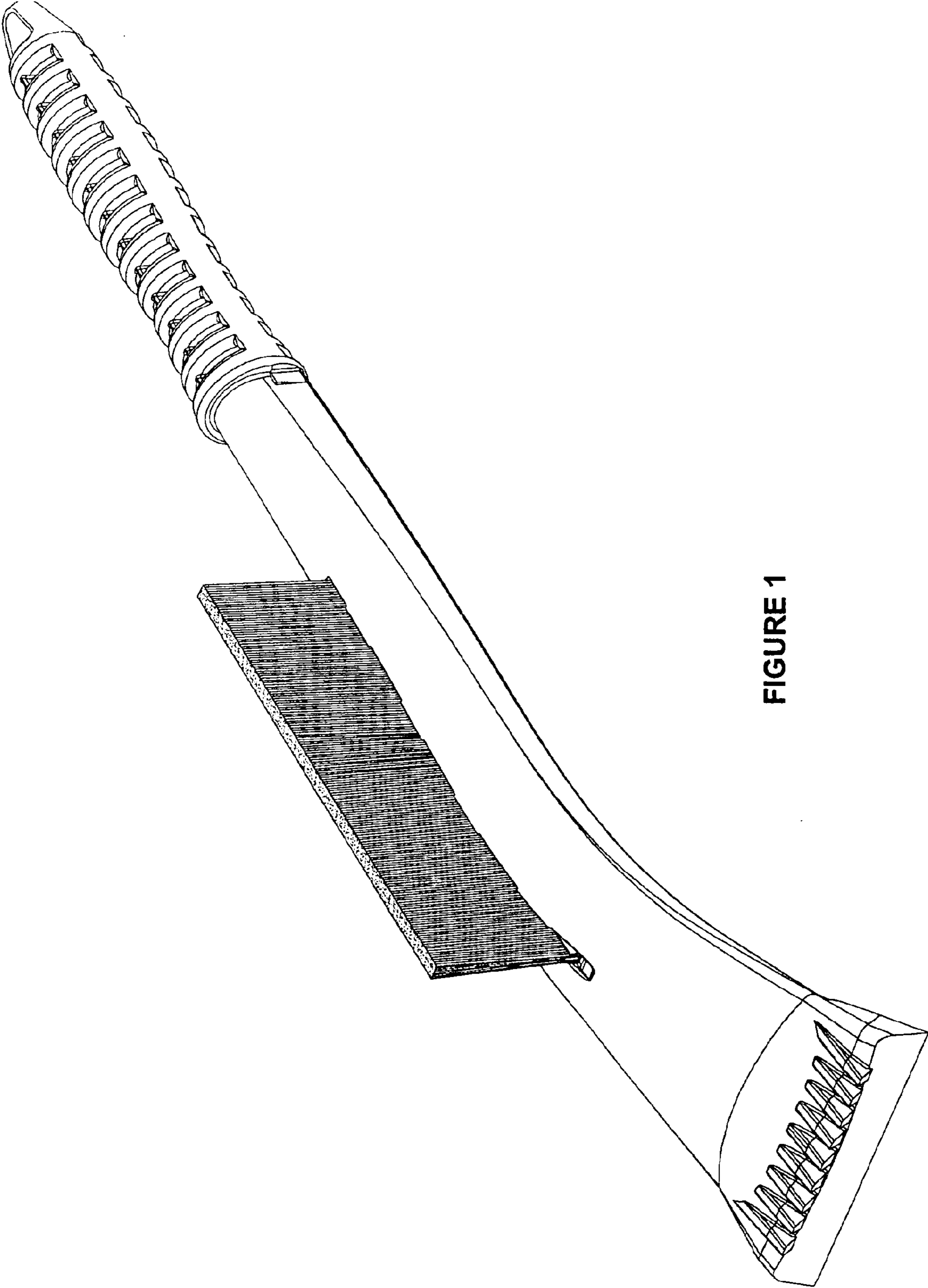


FIGURE 1

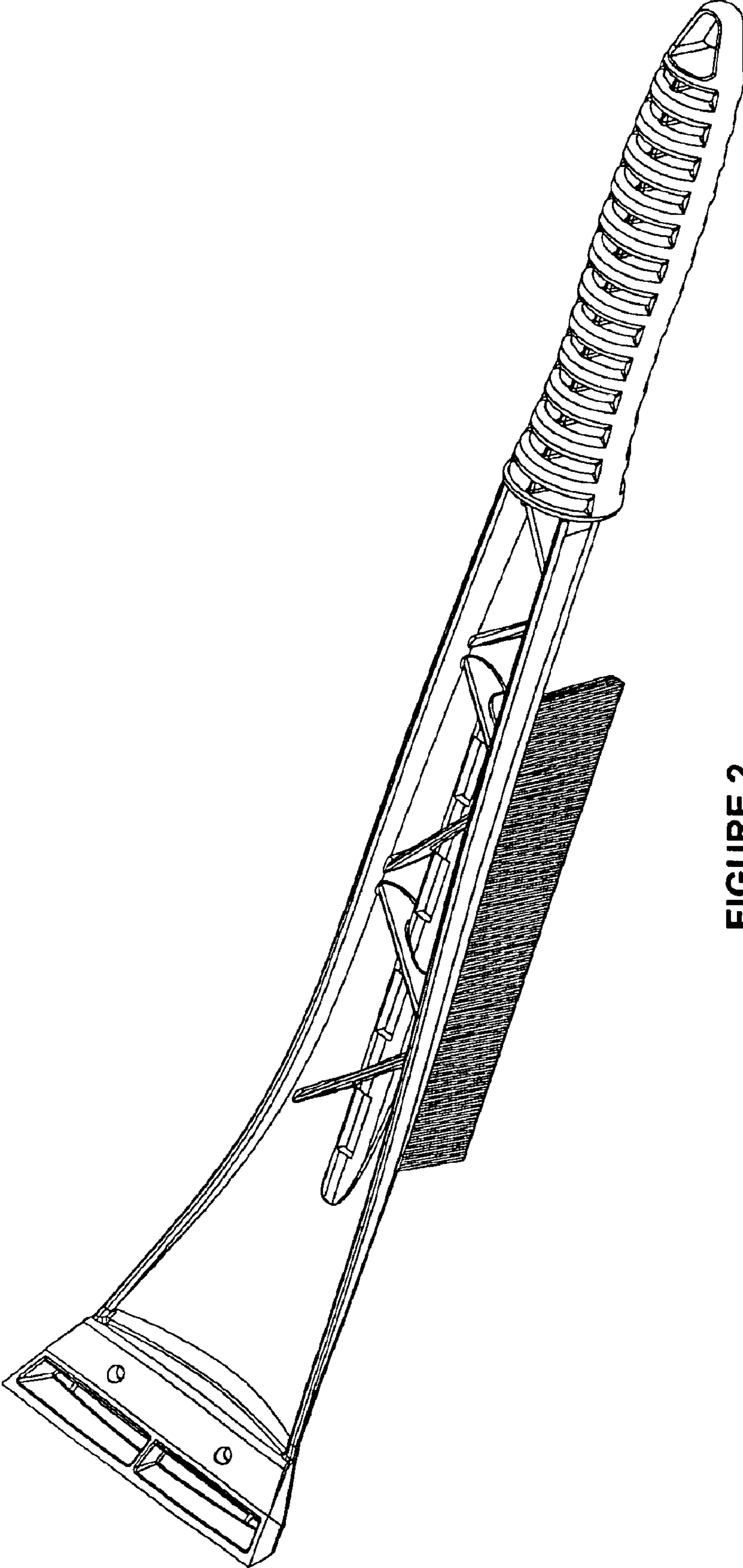
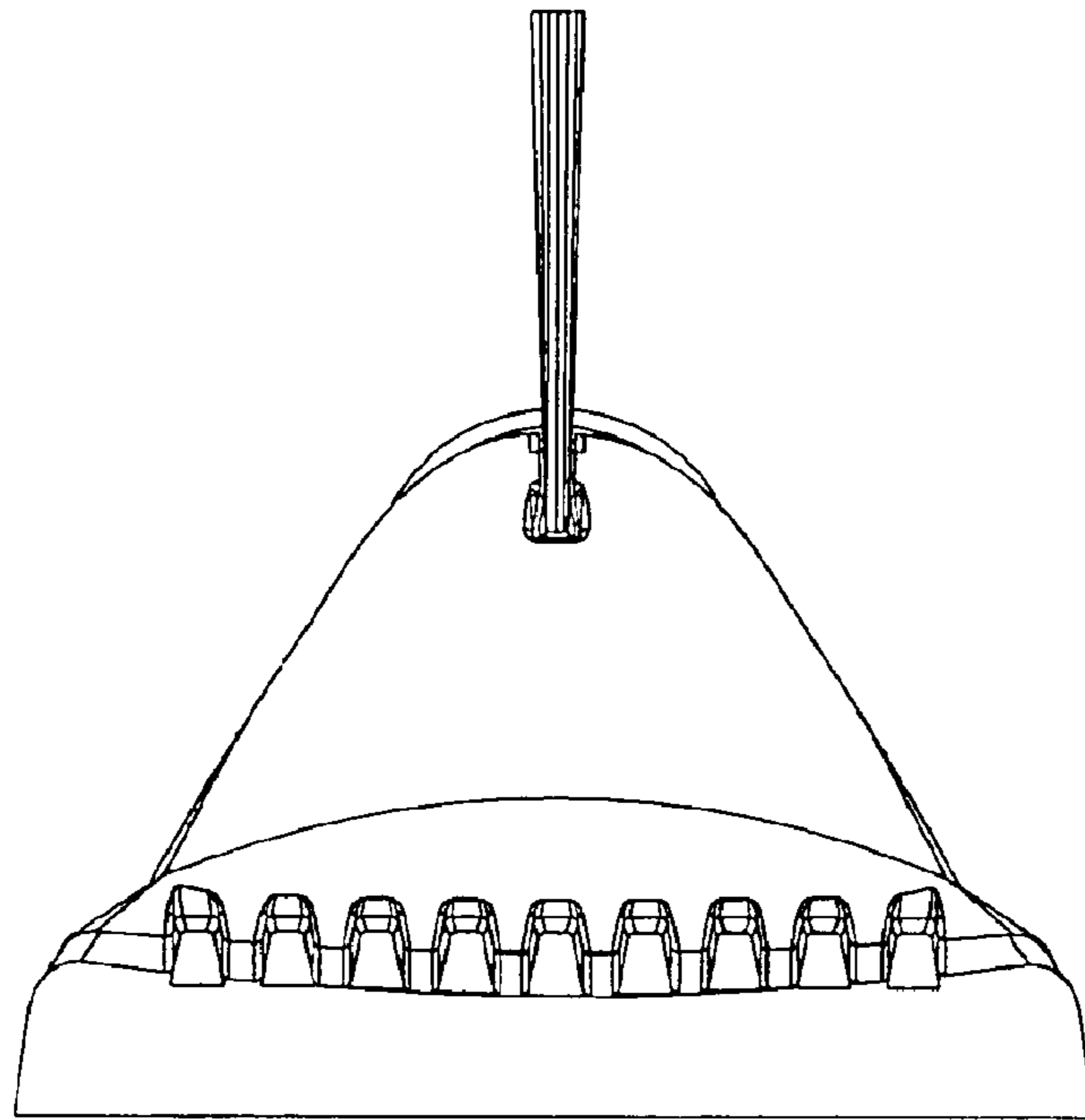
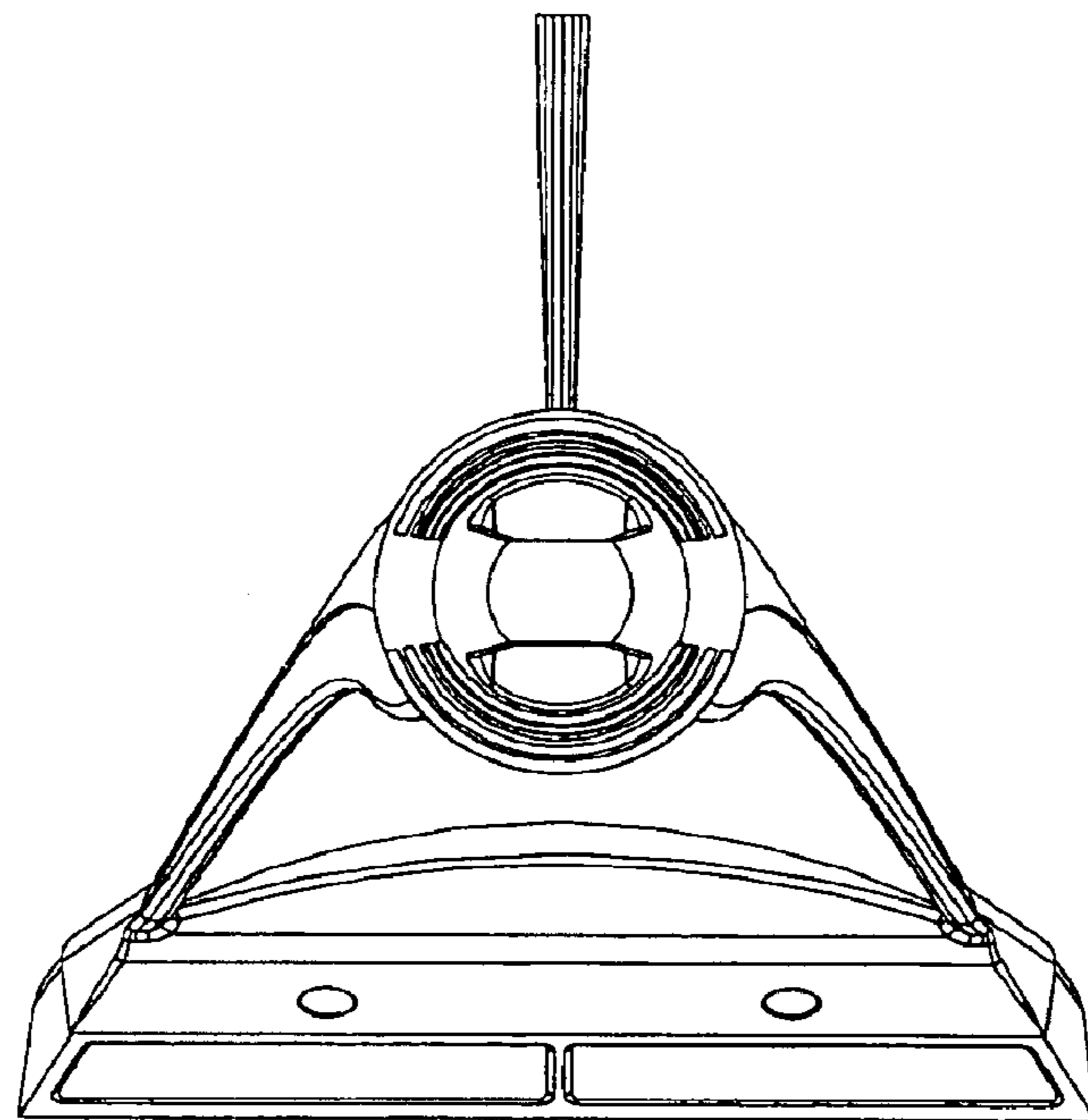


FIGURE 2



**FIGURE 3**



**FIGURE 4**

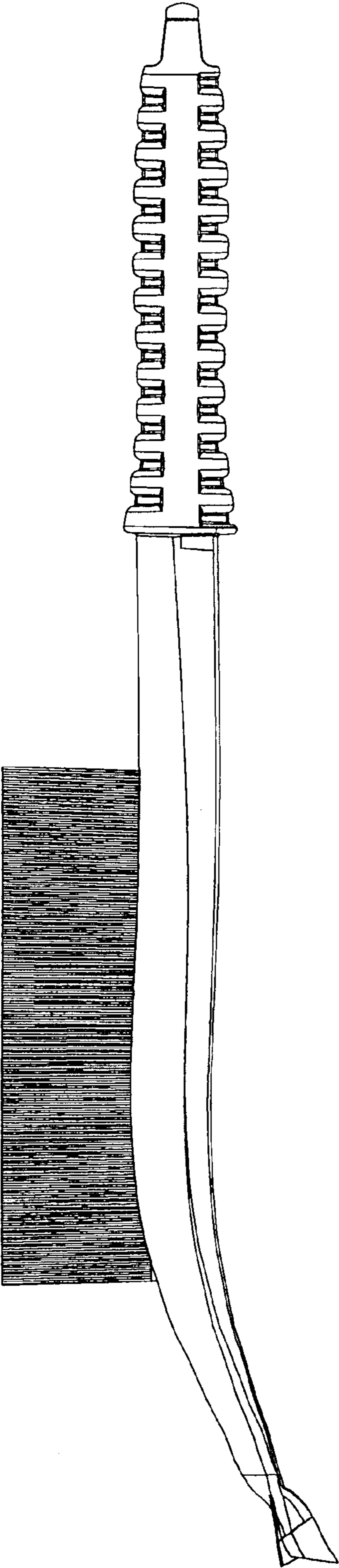


FIGURE 5

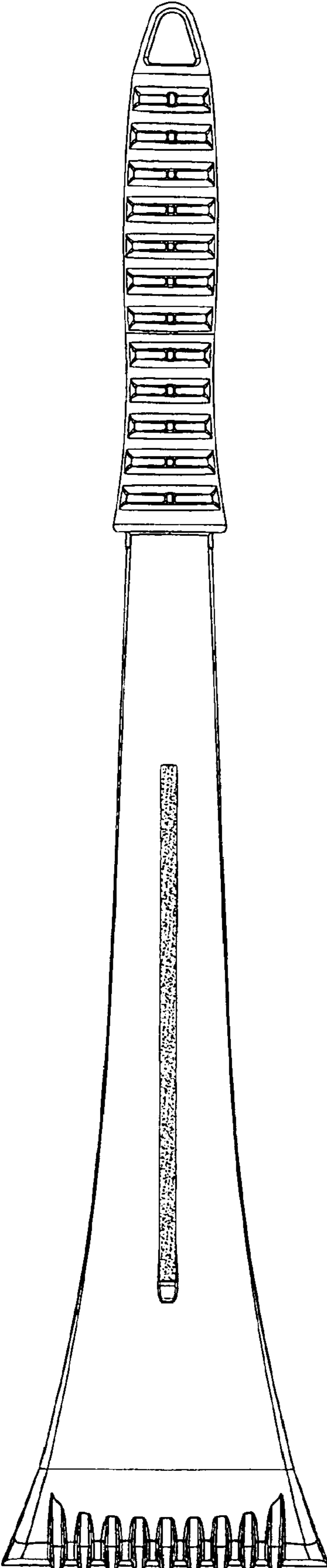


FIGURE 6

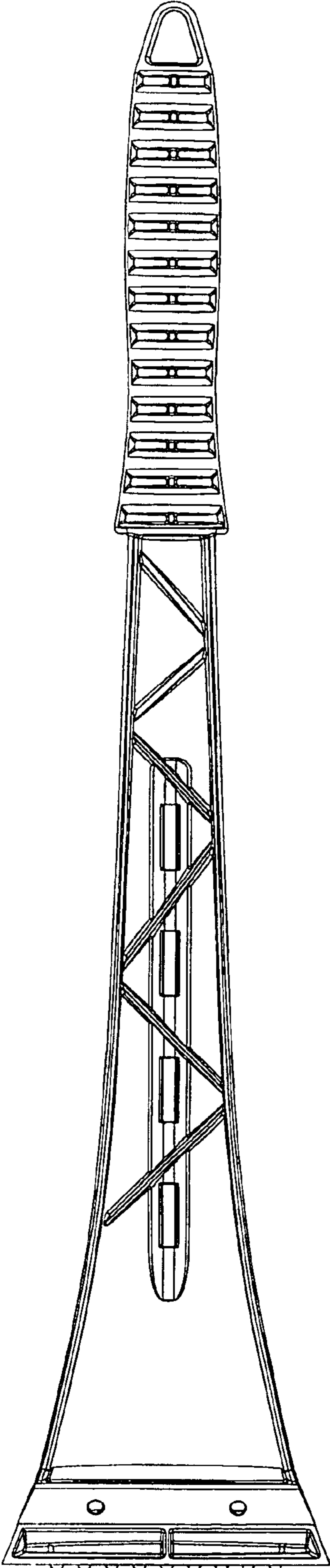


FIGURE 7

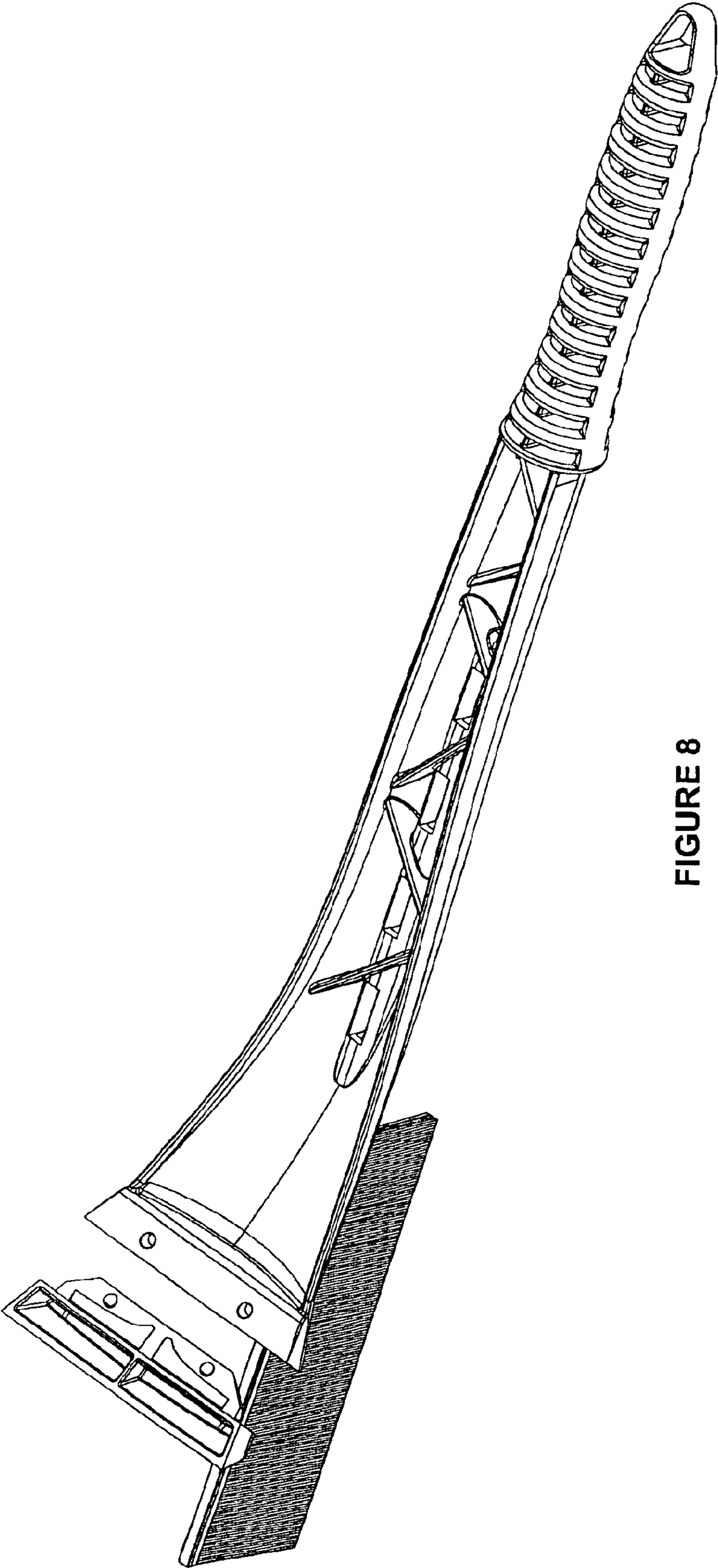


FIGURE 8



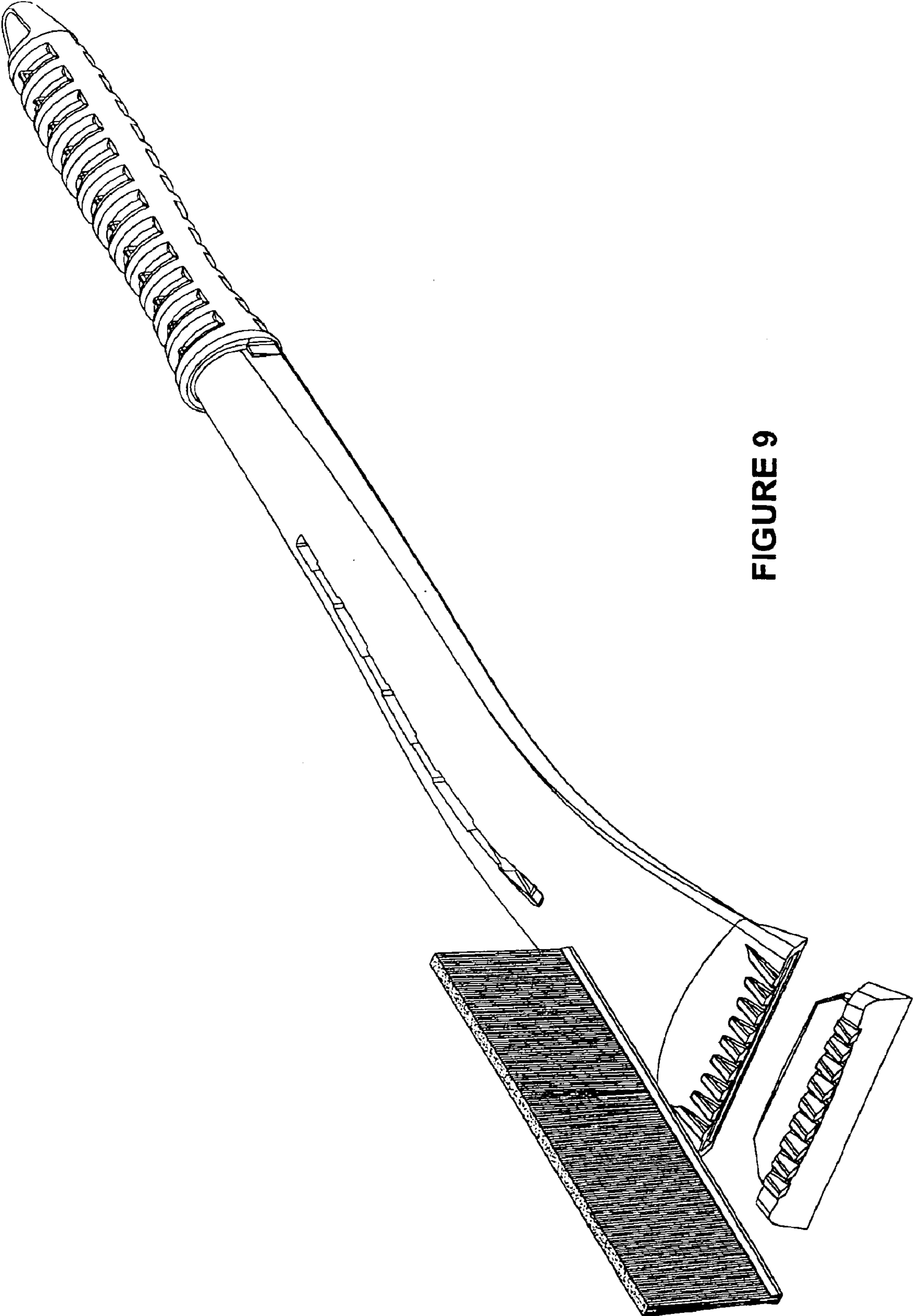


FIGURE 9